

Exclusively from your Caterpillar® dealer



STANDBY 90-150 kW PRIME 82.4-114 kW

60 Hz

Model	Standby kW (kVA)	Prime kW (kVA)
D90P1**	90 (112.5)	82.4 (103)
D100P1**	100 (125)	90 (112.5)
D100P4*	100 (125)	90 (112.5)
D125P1**	125 (156.3)	114 (142.5)
D125P2***	125 (156.3)	114 (142.5)
D150P1**	150 (188)	N/A

- * Tier II EPA Approved, Emissions Certified
- ** 50 Hz option is available. Consult factory for more details.
- *** Meets regulations under the transition provisions in paragraph 102 of the EPA regulations with the following statement:

THIS ENGINE IS CERTIFIED TO THE CURRENT MODEL YEAR REQUIREMENTS UNDER THE PROVISION OF 40CFR89.102

FEATURES

GENERATOR SET

- Complete system designed and built at ISO 9001 certified facilities
- Factory tested to design specifications at full load conditions

ENGINE

- Governor, electronic (D125P1, D125P2, D150P1)
- Governor, mechanical (D90P1, D100P1, D100P4)
- Electrical system, 12 VDC
- Cartridge type filters
- Battery(ies), rack and cables
- Coolant and lube drains piped to edge of base

GENERATOR

- Insulation system, class H
- Drip proof generator air intake (NEMA 2, IP23)
- Electrical design in accordance with BS5000 Part 99, EN61000-6, IEC60034-1, NEMA MG-1.33

CONTROL SYSTEM

- 2001 Autostart control panel
- Vibration isolated NEMA 1 enclosure with lockable hinged door
- DC and AC wiring harnesses

MOUNTING ARRANGEMENT

- Heavy-duty fabricated steel base with lifting points
- Anti-vibration pads to ensure vibration isolation
- Complete OSHA guarding
- Flexible fuel lines to base with NPT connections
- Stub-up pipe ready for connection to silencer pipework

COOLING SYSTEM

- Radiator and cooling fan complete with protective guards
- Standard ambient temperatures up to 122° F (50° C)

CIRCUIT BREAKER

- UL/CSA listed
- 3-pole with solid neutral
- NEMA 1 steel enclosure, vibration isolated
- Electrical stub-up area directly below circuit breaker

AUTOMATIC VOLTAGE REGULATOR

- Voltage within $\pm 0.5\%$ at steady state from no load to full load
- Provides fast recovery from transient load changes

EQUIPMENT FINISH

- All electroplated hardware
- Anticorrosive paint protection
- High gloss polyurethane paint for durability and scuff resistance

QUALITY STANDARDS

- BS4999, BS5000, BS5514, EN61000-6, IEC60034, NEMA MG-1.33, NFPA 110 (with optional equipment)

DOCUMENTATION

- Operation and maintenance manuals provided
- Wiring diagrams included

WARRANTY

- All equipment carries full manufacturer's warranty.

STANDBY 90 - 150 kW
PRIME 82.4 - 114 kW
60 Hz

OLYMPIAN™

OPTIONAL EQUIPMENT*

ENCLOSURE

- B Series weather protective enclosure (includes internal silencer system)
 - Single point lift
 - Panel viewing window
 - External emergency stop pushbutton
- Sound attenuated enclosure (includes internal silencer system)
- Super sound attenuated enclosure (includes internal silencer system) (D90P1, D100P1)

SILENCER SYSTEM — OPEN UNIT

- Level 1 silencer 10 dBA
- Level 2 silencer 25 dBA
- Level 3 silencer 35 dBA
- Mounting kit
- Through-wall installation kits

ENGINE

- Electronic governor (fully adjustable)
- Battery heater
- Lube oil drain pump
- High lube oil temperature shutdown
- Lube oil sump heater

CIRCUIT BREAKER

- Auxiliary voltfree contacts
- Shunt trip (100+ amp breakers)

GENERATOR

- Anti-condensation heater
- Permanent magnet generator
- AREP excitation system
- Generator upgrade 1 size - except D150P1

CONTROL SYSTEM

- No control system
- 4001 Series Autostart control panel
- 4001E Series Autostart control panel

MOUNTING ACCESSORIES

- Seismic Zone 4 vibration isolators

FUEL SYSTEM

- Metal fuel tank
- UL listed closed top-diked skid-mounted fuel tank base (12/24-hour capacity) with fuel alarm (low level/leak detected)
- Critical high fuel alarm
- Critical low fuel level shutdown

REMOTE ANNUNCIATORS

- 8- and 16-channel remote annunciator panel (supplied loose)
- Remote annunciator upgrade normal/run control switch
- Remote annunciator upgrade lockdown emergency stop button

COOLING SYSTEM

- Coolant heater
- Low coolant temperature alarm
- Low coolant level shutdown
- Radiator transition flange

MISCELLANEOUS ACCESSORIES

- Toolkit
- Additional operator's manual pack
- Special enclosure color
- UL listing
- CSA certification
- French or Spanish language labels

EXTENDED SERVICE CONTRACTS

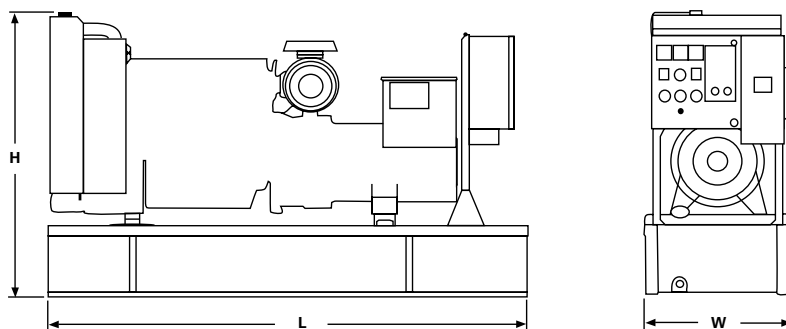
- Extended Service Coverage available

TESTING

- Factory witness test (restricted to 6 hours — full load, 1.0 pf)

*Some options may not be available on all models. Not all options are listed.

GENERATOR SET DIMENSIONS AND WEIGHTS



Model	Length in (mm)	Width in (mm)	Height in (mm)	Weight lbs (kg)**
D90P1	97.7 (2481)	29.4 (746)	56.4 (1433)	2778 (1260)
D100P1	97.7 (2481)	29.4 (746)	56.4 (1433)	2778 (1260)
D100P4	92.4 (2347)	43.3 (1100)	52.0 (1321)	3157 (1432)
D125P1	105 (2675)	35.4 (900)	57.5 (1460)	3263 (1480)
D125P2	105 (2675)	35.4 (900)	57.5 (1460)	3131 (1420)
D150P1	105 (2675)	35.4 (900)	57.5 (1460)	3384 (1535)

NOTE: General configuration not to be used for installation. See specific dimensional drawings for detail.

**Includes oil and coolant
 ∞ Estimated weight

STANDBY 90 kW
PRIME 82.4 kW
60 Hz

OLYMPIAN™

D90P1 (3-Phase)

Materials and specifications are subject to change without notice.

Generator Set Technical Data — 1800 rpm/60 Hz		Standby	Prime
Power Rating	kW (kVA)	90 (112.5)	82.4 (103.0)
Lubricating System Type: Full Pressure Oil Filter: Spin-On, Full Flow Oil Cooler: Watercooled Oil Type Required: API CF-4 Total Oil Capacity Oil Pan	U.S. gal (L) U.S. gal (L)	4.3 (16.1) 3.5 (13.1)	4.3 (16.1) 3.5 (13.1)
Fuel System Generator Set Fuel Consumption 100% Load 75% Load 50% Load	G/hr (L/hr) G/hr (L/hr) G/hr (L/hr)	7.15 (27.07) 5.60 (21.18) 4.07 (15.42)	6.57 (24.86) 4.98 (18.69) 3.61 (13.67)
Engine Electrical System Voltage/Ground: 12/Negative Battery Charging Generator Ampere Rating	Amps	45	45
Cooling System Water Pump Type: Centrifugal Radiator System Capacity Incl. Engine Maximum Coolant Static Head Coolant Flow Rate Minimum Temperature to Engine Temperature Rise Across Engine Heat Rejected to Coolant at Rated Power Total Heat Radiated to Room at Rated Power Radiator Fan Load	U.S. gal (L) Ft H ₂ O (m H ₂ O) U.S. gal/hr (L/hr) °F (°C) °F (°C) Btu/min (kW) Btu/min (kW) Hp (kW)	7.3 (27.7) 26.2 (8.0) 2664 (10 080) 158 (70) 13.9 (7.7) 4129 (72.6) 2224 (39.1) 9.8 (7.3)	7.3 (27.7) 26.2 (8.0) 2664 (10 080) 158 (70) 13.9 (7.7) 3726 (65.5) 1826 (32.1) 9.8 (7.3)
Air Requirements Combustion Air Flow Maximum Air Cleaner Restriction Radiator Cooling Air (zero restriction) Generator Cooling Air Allowable Air Flow Restriction (After radiator) Cooling Airflow (@ rated speed) Rate with restriction	Cfm (m ³ /min) In H ₂ O (kPa) Cfm (m ³ /min) Cfm (m ³ /min) In H ₂ O (kPa) Cfm (m ³ /min)	257 (7.3) 20 (5.0) 9240 (264) 933 (26.4) 0.50 (0.125) 7123 (246)	245 (7.0) 20 (5.0) 9240 (264) 933 (26.4) 0.50 (0.125) 7123 (246)
Exhaust System Maximum Allowable Backpressure Exhaust Flow at Rated kW Exhaust Temperature at Rated kW — Dry Exhaust	In Hg (kPa) Cfm (m ³ /min) °F (°C)	1.8 (6.0) 744 (21.1) 1063 (573)	1.8 (6.0) 686 (19.4) 1004 (540)
Generator Set Noise Rating* (Without Attenuation) at 3 ft (1 m)	dB(A)	95	95

Generator Technical Data	277/480V	266/460V	127/220V	120/240V 120/208V	347/600V
Motor Starting Capability: (kVA) (30% Voltage Dip)					
Self Excited	206	191	177	160	N/A
PM Excited**	271	252	233	211	271
AREP Excited	271	252	233	211	271
Full Load Efficiencies:					
Standby	91.4	91.0	90.9	90.4	91.4
Prime	91.7	91.4	91.1	90.9	91.7
Reactances (per unit):					
X _d	3.26	3.55	3.88	4.34	3.26
X' _d	0.12	0.13	0.14	0.16	0.12
Reactances shown are applicable to the standby rating.					
X'' _d	0.072	0.078	0.086	0.096	0.072
X _q	1.96	2.13	2.33	2.61	1.96
X'' _q	0.091	0.099	0.108	0.121	0.091
X ₂	0.082	0.089	0.097	0.109	0.082
X ₀	0.005	0.006	0.006	0.007	0.005
Time Constants:	t' _d 100 ms	t'' _d 10 ms	t' _{do} 2555 ms	t _a 15 ms	

* dB(A) levels are for guidance only

STANDBY 100 kW
PRIME 90 kW
60 Hz

OLYMPIAN™

D100P1 (3-Phase)

Materials and specifications are subject to change without notice.

Generator Set Technical Data — 1800 rpm/60 Hz		Standby	Prime
Power Rating	kW (kVA)	100 (125.0)	90 (112.5)
Lubricating System Type: Full Pressure Oil Filter: Spin-On, Full Flow Oil Cooler: Watercooled Oil Type Required: API CF-4 Total Oil Capacity Oil Pan	U.S. gal (L) U.S. gal (L)	4.3 (16.1) 3.5 (13.1)	4.3 (16.1) 3.5 (13.1)
Fuel System Generator Set Fuel Consumption 100% Load 75% Load 50% Load	G/hr (L/hr) G/hr (L/hr) G/hr (L/hr)	8.07 (30.53) 6.19 (23.42) 4.48 (16.95)	7.30 (27.63) 5.54 (20.99) 4.01 (15.19)
Engine Electrical System Voltage/Ground: 12/Negative Battery Charging Generator Ampere Rating	Amps	45	45
Cooling System Water Pump Type: Centrifugal Radiator System Capacity Incl. Engine Maximum Coolant Static Head Coolant Flow Rate Minimum Temperature to Engine Temperature Rise Across Engine Heat Rejected to Coolant at Rated Power Total Heat Radiated to Room at Rated Power Radiator Fan Load	U.S. gal (L) Ft H ₂ O (m H ₂ O) U.S. gal/hr (L/hr) °F (°C) °F (°C) Btu/min (kW) Btu/min (kW) Hp (kW)	7.3 (27.7) 26.2 (8.0) 2664 (10 080) 158 (70) 13.9 (7.7) 4550 (80.0) 2361 (41.5) 9.8 (7.3)	7.3 (27.7) 26.2 (8.0) 2664 (10 080) 158 (70) 13.9 (7.7) 4095 (72.0) 1917 (33.7) 9.8 (7.3)
Air Requirements Combustion Air Flow Maximum Air Cleaner Restriction Radiator Cooling Air (zero restriction) Generator Cooling Air Allowable Air Flow Restriction (After radiator) Cooling Airflow (@ rated speed) Rate with restriction	Cfm (m ³ /min) In H ₂ O (kPa) Cfm (m ³ /min) Cfm (m ³ /min) In H ₂ O (kPa) Cfm (m ³ /min)	275 (7.8) 20 (5.0) 9205 (263) 933 (26.4) 0.50 (0.125) 7065 (244)	261 (7.4) 20 (5.0) 9205 (263) 933 (26.4) 0.50 (0.125) 7065 (244)
Exhaust System Maximum Allowable Backpressure Exhaust Flow at Rated kW Exhaust Temperature at Rated kW — Dry Exhaust	In Hg (kPa) Cfm (m ³ /min) °F (°C)	1.8 (6.0) 794 (22.5) 1076 (580)	1.8 (6.0) 705 (20.0) 1004 (540)
Generator Set Noise Rating* (Without Attenuation) at 3 ft (1 m)	dB(A)	95	95

Generator Technical Data	277/480V	266/460V	127/220V	120/240V 120/208V	347/600V
Motor Starting Capability: (kVA) (30% Voltage Dip)					
Self Excited	206	191	177	160	N/A
PM Excited**	271	252	233	211	271
AREP Excited	271	252	233	211	271
Full Load Efficiencies:					
Standby	91.0	90.9	90.5	90.0	91.0
Prime	91.4	91.0	90.9	90.4	91.4
Reactances (per unit):					
X _d	3.58	3.90	4.26	4.77	3.58
X' _d	0.14	0.15	0.17	0.19	0.14
X'' _d	0.083	0.091	0.099	0.111	0.083
X _q	2.15	2.34	2.56	2.86	2.15
X'' _q	0.104	0.113	0.123	0.138	0.104
X ₂	0.094	0.102	0.112	0.125	0.094
X ₀	0.005	0.005	0.006	0.006	0.005
Time Constants:	t' _d 100 ms	t'' _d 10 ms	t' _{do} 2555 ms	t _a 15 ms	

* dB(A) levels are for guidance only

STANDBY 100 kW
PRIME 90 kW
60 Hz

OLYMPIAN™

D100P4 (3-Phase)

Materials and specifications are subject to change without notice.

Generator Set Technical Data — 1800 rpm/60 Hz		Standby	Prime
Power Rating	kW (kVA)	100 (125.0)	90 (112.5)
Lubricating System Type: Full Pressure Oil Filter: Spin-On, Full Flow Oil Cooler: Watercooled Oil Type Required: API CG4/CH4 Total Oil Capacity Oil Pan	U.S. gal (L) U.S. gal (L)	2.1 (8.0) 1.4 (5.5)	2.1 (8.0) 1.4 (5.5)
Fuel System Generator Set Fuel Consumption 100% Load 75% Load 50% Load	G/hr (L/hr) G/hr (L/hr) G/hr (L/hr)	7.9 (29.8) 5.9 (22.5) 4.2 (15.8)	7.1 (26.8) 5.4 (20.4) 3.9 (14.6)
Engine Electrical System Voltage/Ground: 12/Negative Battery Charging Generator Ampere Rating	Amps	65	65
Cooling System Water Pump Type: Centrifugal Radiator System Capacity Incl. Engine Maximum Coolant Static Head Coolant Flow Rate Minimum Temperature to Engine Temperature Rise Across Engine Heat Rejected to Coolant at Rated Power Total Heat Radiated to Room at Rated Power Radiator Fan Load	U.S. gal (L) Ft H ₂ O (m H ₂ O) U.S. gal/hr (L/hr) °F (°C) °F (°C) Btu/min (kW) Btu/min (kW) Hp (kW)	3.3 (12.6) 33.5 (10.2) 3075 (11640) 158 (70) 9.9 (5.5) 3731 (65.6) 1177 (20.7) 6.7 (5.0)	3.3 (12.6) 33.5 (10.2) 3075 (11640) 158 (70) 9.0 (5.0) 3396 (59.7) 1041 (18.3) 6.7 (5.0)
Air Requirements Combustion Air Flow Maximum Air Cleaner Restriction Radiator Cooling Air (zero restriction) Generator Cooling Air Allowable Air Flow Restriction (After radiator) Cooling Airflow (@ rated speed) Rate with restriction	Cfm (m ³ /min) In H ₂ O (kPa) Cfm (m ³ /min) Cfm (m ³ /min) In H ₂ O (kPa) Cfm (m ³ /min)	276 (78) 32 (8) 9746 (276) 933 (26.4) 0.48 (0.120) 8616 (244)	274 (7.75) 32 (8) 9746 (276) 933 (26.4) 0.48 (0.120) 8616 (244)
Exhaust System Maximum Allowable Backpressure Exhaust Flow at Rated kW Exhaust Temperature at Rated kW — Dry Exhaust	In Hg (kPa) Cfm (m ³ /min) °F (°C)	4.5 (15) 721 (20.4) 1065 (574)	4.5 (15) 651 (18.4) 963 (517)
Generator Set Noise Rating* (Without Attenuation) at 3 ft (1 m)	dB(A)	95	95

Generator Technical Data	277/480V	266/460V	127/220V	120/240V 120/208V	347/600V
Motor Starting Capability: (kVA) (30% Voltage Dip)					
Self Excited	206	191	177	160	N/A
PM Excited**	271	252	233	211	271
AREP Excited	271	252	233	211	271
Full Load Efficiencies:					
Standby	91.0	90.9	90.5	90.0	91.0
Prime	91.4	91.0	90.9	90.4	91.4
Reactances (per unit):					
X _d	3.58	3.90	4.26	4.77	3.58
X' _d	0.14	0.15	0.17	0.19	0.14
X'' _d	0.083	0.091	0.099	0.111	0.083
X _q	2.15	2.34	2.56	2.86	2.15
X'' _q	0.104	0.113	0.123	0.138	0.104
X ₂	0.094	0.102	0.112	0.125	0.094
X ₀	0.005	0.005	0.006	0.006	0.005
Time Constants:	t' _d 100 ms	t'' _d 10 ms	t' _{do} 2555 ms	t _a 15 ms	

* dB(A) levels are for guidance only

STANDBY 125 kW
PRIME 114 kW
60 Hz

OLYMPIAN™

D125P1 (3-Phase)

Materials and specifications are subject to change without notice.

Generator Set Technical Data — 1800 rpm/60 Hz		Standby	Prime
Power Rating	kW (kVA)	125 (156.3)	114 (142.5)
Lubricating System Type: Full Pressure Oil Filter: Spin-On, Full Flow Oil Cooler: Watercooled Oil Type Required: API CF-4 Total Oil Capacity Oil Pan	U.S. gal (L) U.S. gal (L)	5.0 (19) 4.2 (16)	5.0 (19) 4.2 (16)
Fuel System Generator Set Fuel Consumption 100% Load 75% Load 50% Load	G/hr (L/hr) G/hr (L/hr) G/hr (L/hr)	9.88 (37.40) 7.79 (29.47) 5.51 (20.87)	9.12 (34.51) 6.92 (26.22) 5.01 (18.98)
Engine Electrical System Voltage/Ground: 12/Negative Battery Charging Generator Ampere Rating	Amps	45	45
Cooling System Water Pump Type: Centrifugal Radiator System Capacity Incl. Engine Maximum Coolant Static Head Coolant Flow Rate Minimum Temperature to Engine Temperature Rise Across Engine Heat Rejected to Coolant at Rated Power Total Heat Radiated to Room at Rated Power Radiator Fan Load	U.S. gal (L) Ft H ₂ O (m H ₂ O) U.S. gal/hr (L/hr) °F (°C) °F (°C) Btu/min (kW) Btu/min (kW) Hp (kW)	9.8 (37.2) 32.2 (9.8) 2724 (10 320) 169 (76) 14.4 (8.0) 4363 (76.7) 2551 (44.8) 10 (7.5)	9.8 (37.2) 32.2 (9.8) 2724 (10 320) 169 (76) 14.4 (8.0) 3885 (68.3) 1720 (30.2) 10 (7.5)
Air Requirements Combustion Air Flow Maximum Air Cleaner Restriction Radiator Cooling Air (zero restriction) Generator Cooling Air Allowable Air Flow Restriction (After radiator) Cooling Airflow (@ rated speed) Rate with restriction	Cfm (m ³ /min) In H ₂ O (kPa) Cfm (m ³ /min) Cfm (m ³ /min) In H ₂ O (kPa) Cfm (m ³ /min)	394 (11.2) 20 (5.0) 9100 (258) 933 (26.4) 0.48 (0.120) 8686 (246)	379 (10.7) 20 (5.0) 9100 (258) 933 (26.4) 0.48 (0.120) 8686 (246)
Exhaust System Maximum Allowable Backpressure Exhaust Flow at Rated kW Exhaust Temperature at Rated kW — Dry Exhaust	In Hg (kPa) Cfm (m ³ /min) °F (°C)	1.8 (6.0) 1109 (31.4) 1024 (551)	1.8 (6.0) 1050 (29.8) 1004 (540)
Generator Set Noise Rating* (Without Attenuation) at 3 ft (1 m)	dB(A)	97	97

Generator Technical Data	277/480V	266/460V	127/220V	120/240V 120/208V	347/600V
Motor Starting Capability: (kVA) (30% Voltage Dip)					
Self Excited	360	335	311	283	N/A
PM Excited**	469	437	406	370	469
AREP Excited	469	437	406	370	469
Full Load Efficiencies:					
Standby	92.6	92.6	92.5	92.2	92.6
Prime	92.8	92.7	92.7	92.5	92.8
Reactances (per unit):					
X _d	2.74	2.98	3.26	3.65	2.74
Reactances shown are applicable to the standby rating.	X' _d 0.10	0.11	0.12	0.14	0.10
	X'' _d 0.060	0.066	0.072	0.080	0.060
	X _q 1.65	1.79	1.96	2.19	1.65
	X'' _q 0.072	0.078	0.086	0.096	0.072
	X ₂ 0.067	0.073	0.079	0.089	0.067
	X ₀ 0.005	0.006	0.006	0.007	0.005
Time Constants:	t' _d 100 ms	t'' _d 10 ms	t' _{do} 2865 ms	t _a 15 ms	

* dB(A) levels are for guidance only

STANDBY 125 kW
PRIME 114 kW
60 Hz

D125P2 (3-Phase)

Materials and specifications are subject to change without notice.

Generator Set Technical Data — 1800 rpm/60 Hz		Standby	Prime
Power Rating	kW (kVA)	125 (156.3)	114 (142.5)
Lubricating System Type: Full Pressure Oil Filter: Spin-On, Full Flow Oil Cooler: Watercooled Oil Type Required: API CF-4 Total Oil Capacity Oil Pan	U.S. gal (L) U.S. gal (L)	5.0 (19.0) 4.2 (16.0)	5.0 (19.0) 4.2 (16.0)
Fuel System Generator Set Fuel Consumption 100% Load 75% Load 50% Load	G/hr (L/hr) G/hr (L/hr) G/hr (L/hr)	9.88 (37.40) 7.79 (29.47) 5.51 (20.87)	9.12 (34.51) 6.92 (26.22) 5.01 (18.98)
Engine Electrical System Voltage/Ground: 12/Negative Battery Charging Generator Ampere Rating	Amps	45	45
Cooling System Water Pump Type: Centrifugal Radiator System Capacity Incl. Engine Maximum Coolant Static Head Coolant Flow Rate Minimum Temperature to Engine Temperature Rise Across Engine Heat Rejected to Coolant at Rated Power Total Heat Radiated to Room at Rated Power Radiator Fan Load	U.S. gal (L) Ft H ₂ O (m H ₂ O) U.S. gal/hr (L/hr) °F (°C) °F (°C) Btu/min (kW) Btu/min (kW) Hp (kW)	9.8 (37.2) 32.2 (9.8) 2725 (10 320) 169 (76) 14.4 (8.0) 4363 (76.7) 2551 (44.8) 10 (7.5)	9.8 (37.2) 32.2 (9.8) 2725 (10 320) 169 (76) 14.4 (8.0) 3867 (68.0) 1720 (30.2) 10 (7.5)
Air Requirements Combustion Air Flow Maximum Air Cleaner Restriction Radiator Cooling Air (zero restriction) Generator Cooling Air Allowable Air Flow Restriction (After radiator) Cooling Airflow (@ rated speed) Rate with restriction	Cfm (m ³ /min) In H ₂ O (kPa) Cfm (m ³ /min) Cfm (m ³ /min) In H ₂ O (kPa) Cfm (m ³ /min)	394 (11.2) 20 (5.0) 9100 (258) 933 (26.4) 0.48 (0.120) 8686 (246)	379 (10.7) 120 (5.0) 9100 (258) 933 (26.4) 0.48 (0.120) 8686 (246)
Exhaust System Maximum Allowable Backpressure Exhaust Flow at Rated kW Exhaust Temperature at Rated kW — Dry Exhaust	In Hg (kPa) Cfm (m ³ /min) °F (°C)	1.8 (6.0) 1109 (31.4) 1024 (551)	1.8 (6.0) 1050 (29.8) 1004 (540)
Generator Set Noise Rating* (Without Attenuation) at 3 ft (1 m)	dB(A)	97	97

Generator Technical Data	277/480V	266/460V	127/220V	120/240V 120/208V	347/600V
Motor Starting Capability: (kVA) (30% Voltage Dip)					
Self Excited	360	335	311	283	N/A
PM Excited**	469	437	406	370	469
AREP Excited	469	437	406	370	469
Full Load Efficiencies:					
Standby	92.6	92.6	92.5	92.2	92.6
Prime	92.8	92.7	92.7	92.5	92.8
Reactances (per unit):					
X _d	2.74	2.98	3.26	3.65	2.74
X' _d	0.10	0.11	0.12	0.14	0.10
X'' _d	0.060	0.066	0.072	0.080	0.060
X _q	1.65	1.79	1.96	2.19	1.65
X'' _q	0.072	0.078	0.086	0.096	0.072
X ₂	0.067	0.073	0.079	0.089	0.067
X ₀	0.005	0.006	0.006	0.007	0.005
Time Constants:	t' _d 100 ms	t'' _d 10 ms	t' _{do} 2865 ms	t _a 15 ms	

* dB(A) levels are for guidance only

D150P1 (3-Phase)

Materials and specifications are subject to change without notice.

Generator Set Technical Data — 1800 rpm/60 Hz		Standby
Power Rating	kW (kVA)	150 (188)
Lubricating System Type: Full Pressure Oil Filter: Spin-On, Full Flow Oil Cooler: Watercooled Oil Type Required: API CG4 Total Oil Capacity Oil Pan	U.S. gal (L) U.S. gal (L)	5.0 (19) 4.23 (16)
Fuel System Generator Set Fuel Consumption 100% Load 75% Load 50% Load	G/hr (L/hr) G/hr (L/hr) G/hr (L/hr)	11.60 (43.90) 9.00 (34.07) 6.40 (24.21)
Engine Electrical System Voltage/Ground: 12/Negative Battery Charging Generator Ampere Rating	Amps	45
Cooling System Water Pump Type: Centrifugal Radiator System Capacity Incl. Engine Maximum Coolant Static Head Coolant Flow Rate Minimum Temperature to Engine Temperature Rise Across Engine Heat Rejected to Coolant at Rated Power Total Heat Radiated to Room at Rated Power Radiator Fan Load	U.S. gal (L) Ft H ₂ O (m H ₂ O) U.S. gal/hr (L/hr) °F (°C) °F (°C) Btu/min (kW) Btu/min (kW) Hp (kW)	9.8 (30.7) 32.2 (9.8) 2725 (10 320) 169 (76) 14.4 (8.0) 4363 (83) 2551 (36.2) 10 (7.5)
Air Requirements Combustion Air Flow Maximum Air Cleaner Restriction Radiator Cooling Air (zero restriction) Generator Cooling Air Allowable Air Flow Restriction (After radiator) Cooling Airflow (@ rated speed) Rate with restriction	Cfm (m ³ /min) In H ₂ O (kPa) Cfm (m ³ /min) Cfm (m ³ /min) In H ₂ O (kPa) Cfm (m ³ /min)	394 (11.2) 20 (3.0) 11,000 (312) 933 (26.4) 0.48 (0.120) 8900 (252)
Exhaust System Maximum Allowable Backpressure Exhaust Flow at Rated kW Exhaust Temperature at Rated kW — Dry Exhaust	In Hg (kPa) Cfm (m ³ /min) °F (°C)	1.8 (6.0) 1102 (31.2) 1229 (665)
Generator Set Noise Rating* (Without Attenuation) at 3 ft (1 m)	dB(A)	97

Generator Technical Data	277/480V	266/460V	127/220V	120/240V 120/208V	347/600V
Motor Starting Capability: (kVA) (30% Voltage Dip)					
Self Excited	420	391	363	330	N/A
PM Excited**	548	511	476	433	548
AREP Excited	548	511	476	433	548
Full Load Efficiencies: Standby	92.9	92.9	92.8	92.5	92.9
Reactances (per unit):					
X _d	2.91	3.16	3.46	3.87	2.91
X' _d	0.10	0.11	0.12	0.13	0.10
X'' _d	0.058	0.064	0.070	0.078	0.058
X _q	1.74	1.90	2.08	2.32	1.74
X'' _q	0.069	0.075	0.082	0.092	0.069
X ₂	0.063	0.069	0.075	0.084	0.063
X ₀	0.005	0.005	0.006	0.007	0.005
Time Constants:	t' _d 100 ms	t'' _d 10 ms	t' _{do} 2966 ms	t _a 15 ms	

* dB(A) levels are for guidance only