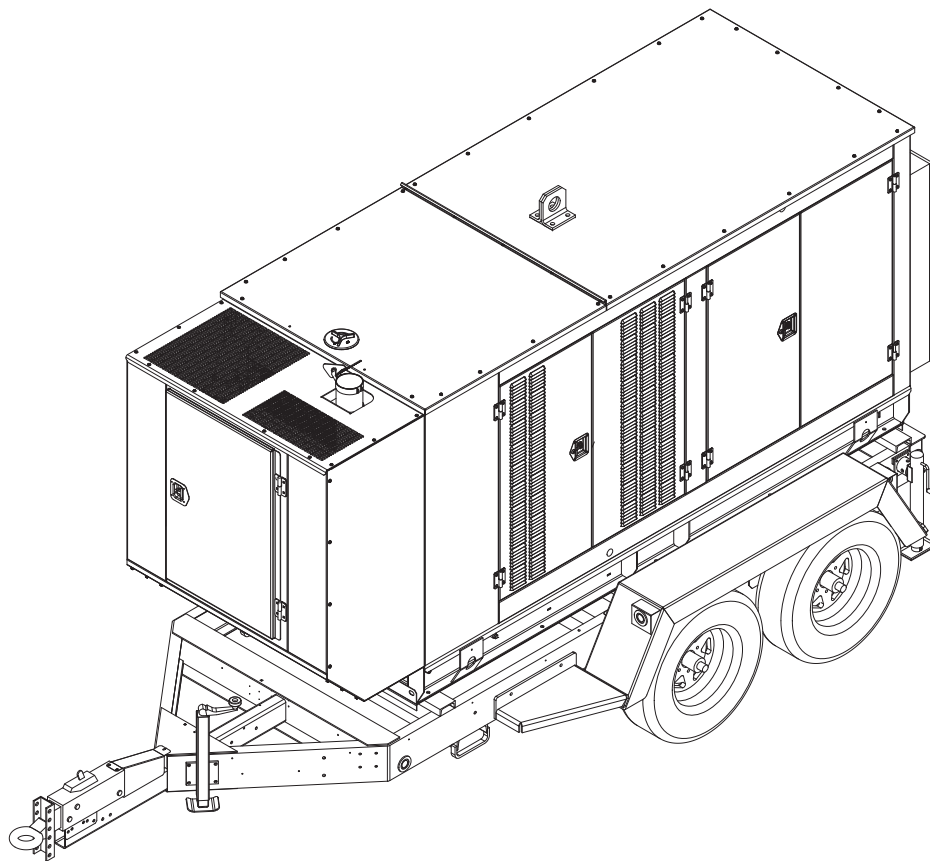


GENERAC® | MAGNUM

GASEOUS GENERATOR MGG200 • MGG200G



01913

PARTS MANUAL

⚠ WARNING

CALIFORNIA PROPOSITION 65 WARNING: Engine exhaust and some of its constituents are known to the state of California to cause cancer, birth defects, and other reproductive harm.

⚠ WARNING

CALIFORNIA PROPOSITION 65 WARNING: This product contains or emits chemicals known to the state of California to cause cancer, birth defects, and other reproductive harm.

⚠ WARNING

ENVIRONMENTAL HAZARD: Always recycle batteries at an official recycling center in accordance with all local laws and regulations. Failure to do so could result in environmental damage, death or serious injury.

Introduction

This parts manual was prepared based on the information available at the time of publication and is subject to change without notice. Generac Mobile Products reserves the right to change parts at any time. To check whether a revised parts manual is available, contact Generac Mobile Products.

DO NOT MODIFY or use this equipment for any application other than which it was designed for. To keep your equipment fully operational, it is suggested you maintain a stock of commonly used maintenance or service parts. A recommended spare parts list can be found in the back of this manual. To order service parts, please go to www.generacmobile.com or call Generac Mobile Products.

▲ WARNING

Before operating or servicing this equipment, read and understand the Generac Operating Manual which was included with the unit when shipped from the factory.

Failure to do so increases the risk of injury to yourself or others.

GENERAC MOBILE PRODUCTS LLC

215 Power Drive • Berlin, WI 54923 U.S.A.

Phone: 920-361-4442

FAX: 920-361-4416

Toll Free: 1-800-926-9768

www.generacmobile.com

For technical or parts QUESTIONS, please contact the Generac Mobile Products Customer Support or Technical Support team at 1-800-926-9768.

Engine Make: _____

Engine Serial Number: _____

Engine Model Number: _____

Generator Make: _____

Generator Model Number: _____

Generator Serial Number: _____

Unit Model Number: _____

Unit Serial Number: _____

Dealer Name: _____

Dealer Phone Number: _____

This Page Intentionally Left Blank

Table of Contents

Introduction	iii
Parts Manual Instructions.....	1
Enclosure Panels.....	2
Unit Decals - Exterior.....	4
Unit Decals - Left Side Interior.....	6
Unit Decals - Right Side Interior	8
Unit Decals - Disconnect Box	10
Front and Rear Panels to Unit	14
Center Panels to Unit	16
Door Assembly - Left.....	18
Door Assembly - Right.....	20
Door Assembly - Right (with Manual Holder)	22
Door Assembly - Louvered - Left.....	24
Door Assembly - Louvered - Right	26
Front Enclosure Assembly.....	28
Catalyst Door Assembly	30
Roof Assembly	32
Rear Corner Assembly - Right.....	34
Control Boxes and Lift Structure to Unit	36
Control Box Assembly	38
Connection Box Assembly.....	40
Disconnect Box Assembly	42
Lift Structure Assembly.....	44
Exhaust System Assembly	46
Cooling System Assembly.....	48
Cooling System Hoses	50
Fuel Water Separator Assembly.....	52
Air Filter Assembly.....	54
Fuel System Assembly - 1 of 2.....	56
Fuel System Assembly - 2 of 2.....	58
Turbocharger Assembly	60
Engine and Generator to Unit.....	62
Engine Assembly - Left Side	64
Engine Assembly - Right Side	66
Generator Assembly	68
Skid Assembly	70
Trailer Assembly.....	72
Axle Assembly	74
Trailer Brake Lines	76
Trailer Hitch Options.....	78
Recommended Spare Parts List.....	80

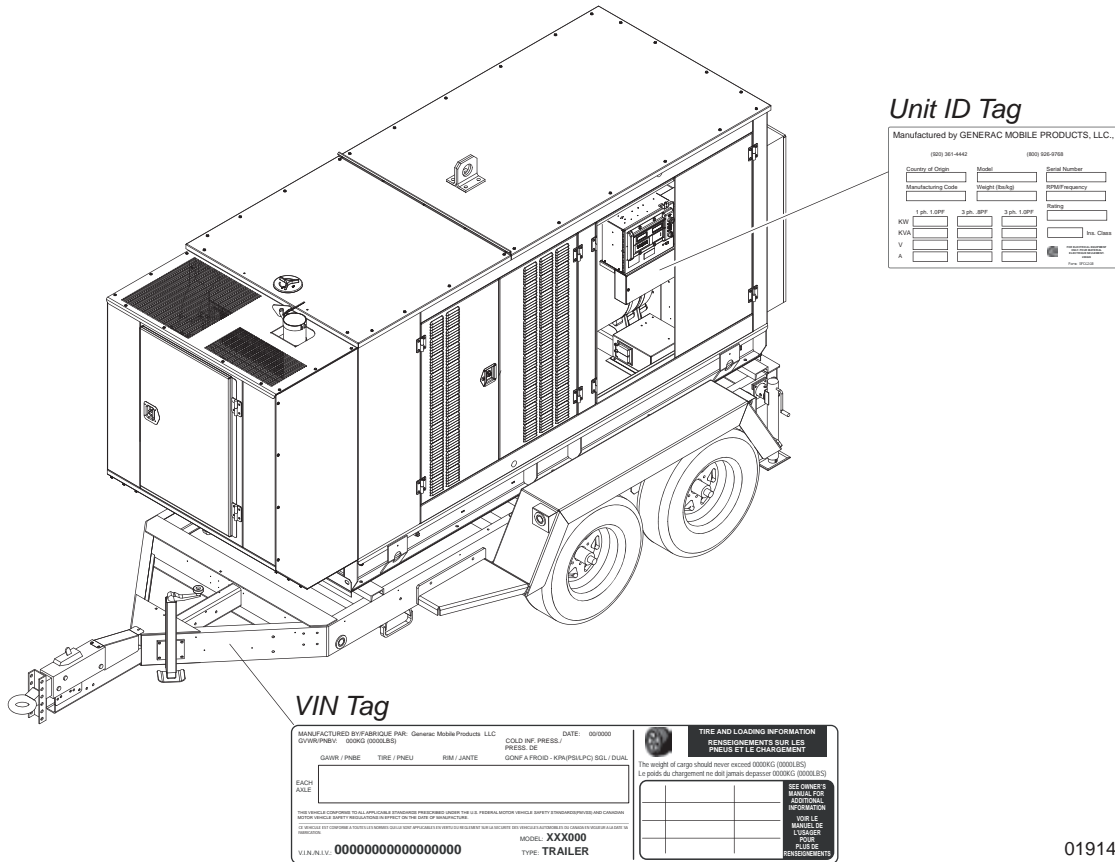
This Page Intentionally Left Blank

Parts Manual Instructions

Product illustrations are only representations. Products supplied may vary from the illustrations in this parts manual. Parts not shown in the illustration are indicated by a double dash (--) in the item column.

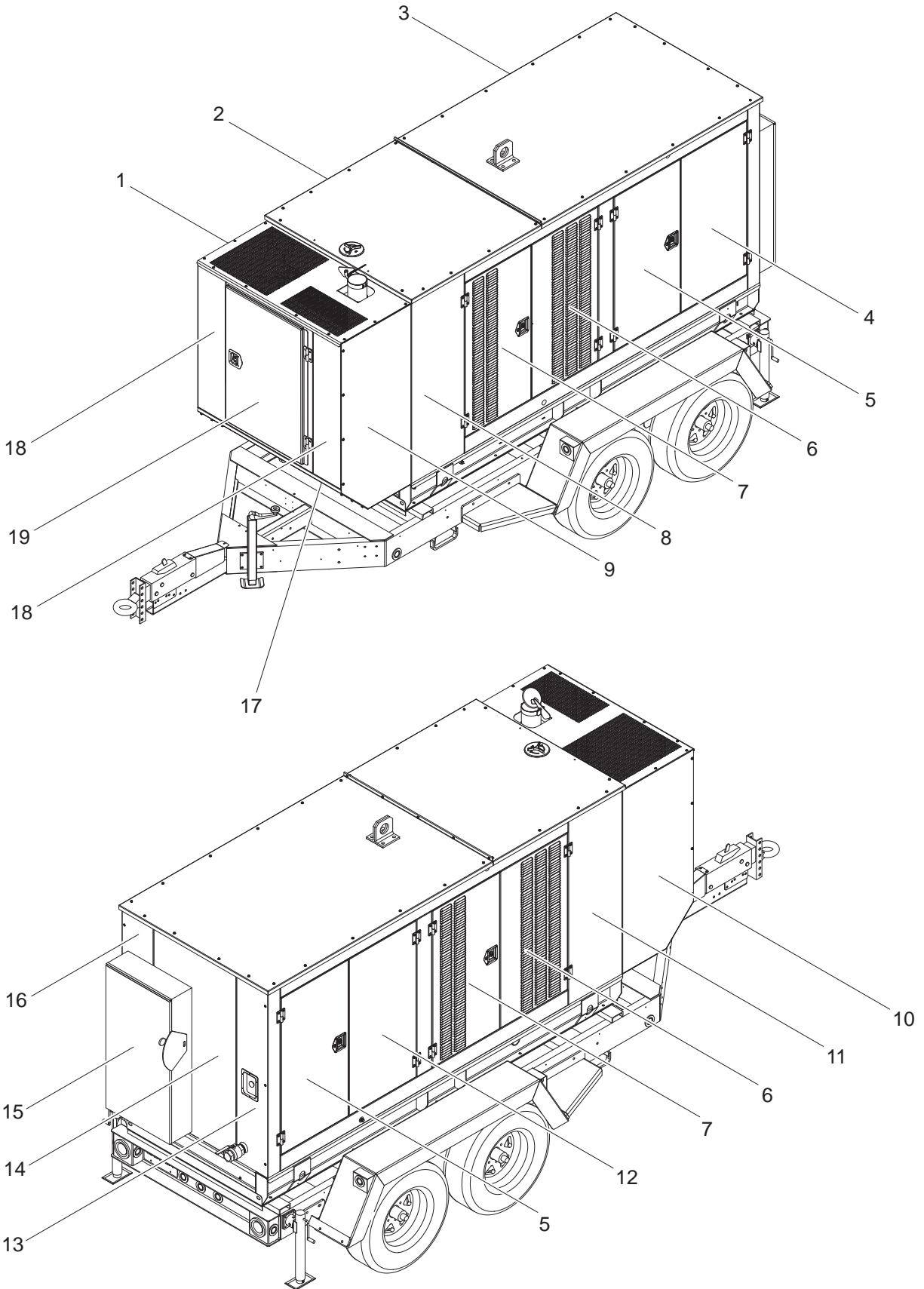
Please be prepared to provide the following information when ordering replacement parts: model number, serial number (on unit serial tag), part number, purchase order number (if applicable), shipping address, shipping method.

Refer to the illustration below to locate the unit ID tag and Vehicle Identification Number (VIN) tag on the unit. Important information, such as the unit serial number, model number, VIN and tire loading information are found on these tags. Record the information from these tags so it is available if the tags are lost or damaged. When ordering parts or requesting assistance, you may be asked to provide this information.



01914

ENCLOSURE PANELS

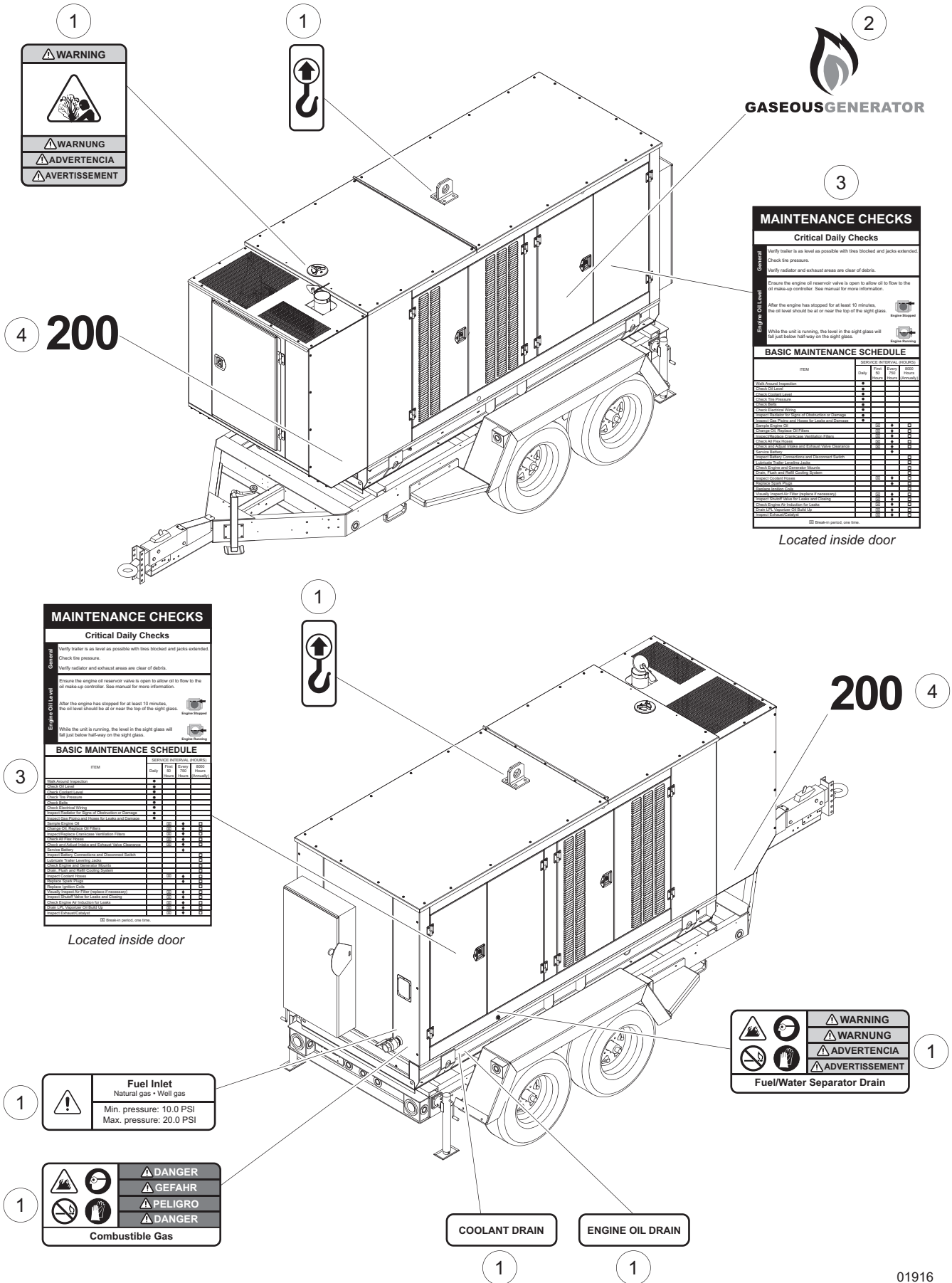


01915

ENCLOSURE PANELS

Item	Part No.	Qty	Description	Notes
1	Page 28	1	Cover, exhaust bay	MGG200 only
	Page 28	1	Duct, exhaust - top	MGG200G only
2	Page 32	1	Roof - front	
3	Page 32	1	Roof - rear	
4	Page 22	2	Door, solid - right w/manual holder	
5	Page 18	2	Door, solid - left	
6	Page 26	2	Door, louvered - right	
7	Page 24	2	Door, louvered - left	
8	Page 14	1	Corner post, front - left	
9	Page 28	1	Duct, front - left	
10	Page 28	1	Duct, front - right	
11	Page 14	1	Corner post, front - right	
12	Page 20	2	Door, solid - right	
13	Page 34	1	Corner post, rear - right	
14	Page 14	1	Panel, rear - center	
15	Page 46	1	Assembly, disconnect box	
16	Page 14	1	Corner post, rear - left	
17	Page 28	1	Duct, bottom	
18	Page 28	1	Duct, front side	
19	Page 30	1	Assembly, catalyst door	

UNIT DECALS - EXTERIOR



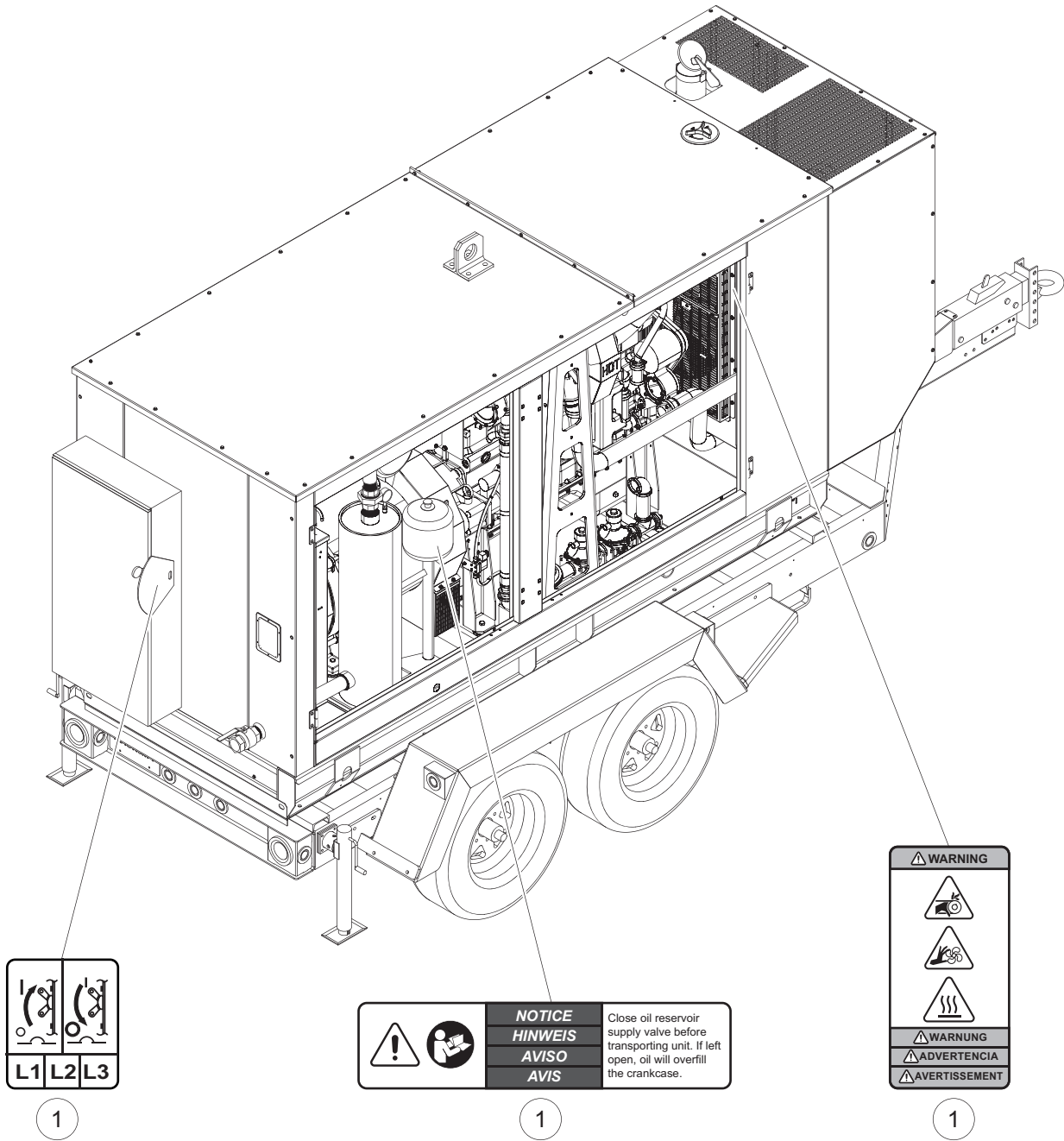
UNIT DECALS - EXTERIOR

Item	Part No.	Qty	Description	Notes
1	38450	1	Decal set, safety	
2	34784	1	Decal, gaseous genset - 28.0 x 13.60	MGG200G only
3	37600	2	Decal, maintenance	
4	36610	2	Decal, mobile - 200	

UNIT DECALS - LEFT SIDE INTERIOR

Item	Part No.	Qty	Description	Notes
1	38450	1	Decal set, safety	
2	12142	1	Decal, ground	
3	36609	1	Decal, caution - heat cable	

UNIT DECALS - RIGHT SIDE INTERIOR



L1	L2	L3

1

	NOTICE	Close oil reservoir supply valve before transporting unit. If left open, oil will overfill the crankcase.
	HINWEIS	
	AVISO	
	AVIS	

1

	WARNING
	WARNING
	ADVERTENCIA
	AVERTISSEMENT

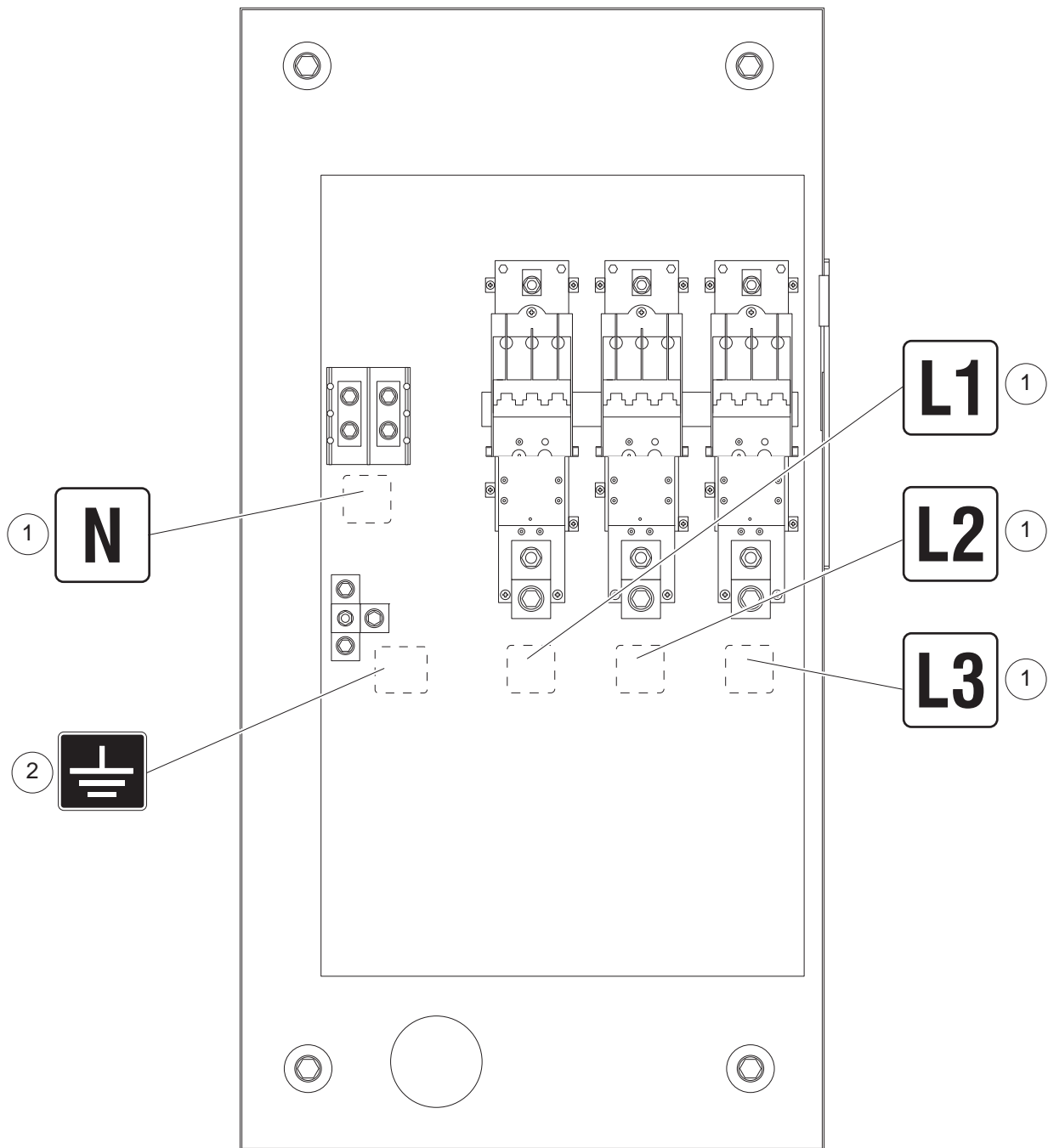
1

01918

UNIT DECALS - RIGHT SIDE INTERIOR

Item	Part No.	Qty	Description	Notes
1	38450	1	Decal set, safety	

UNIT DECALS - DISCONNECT BOX

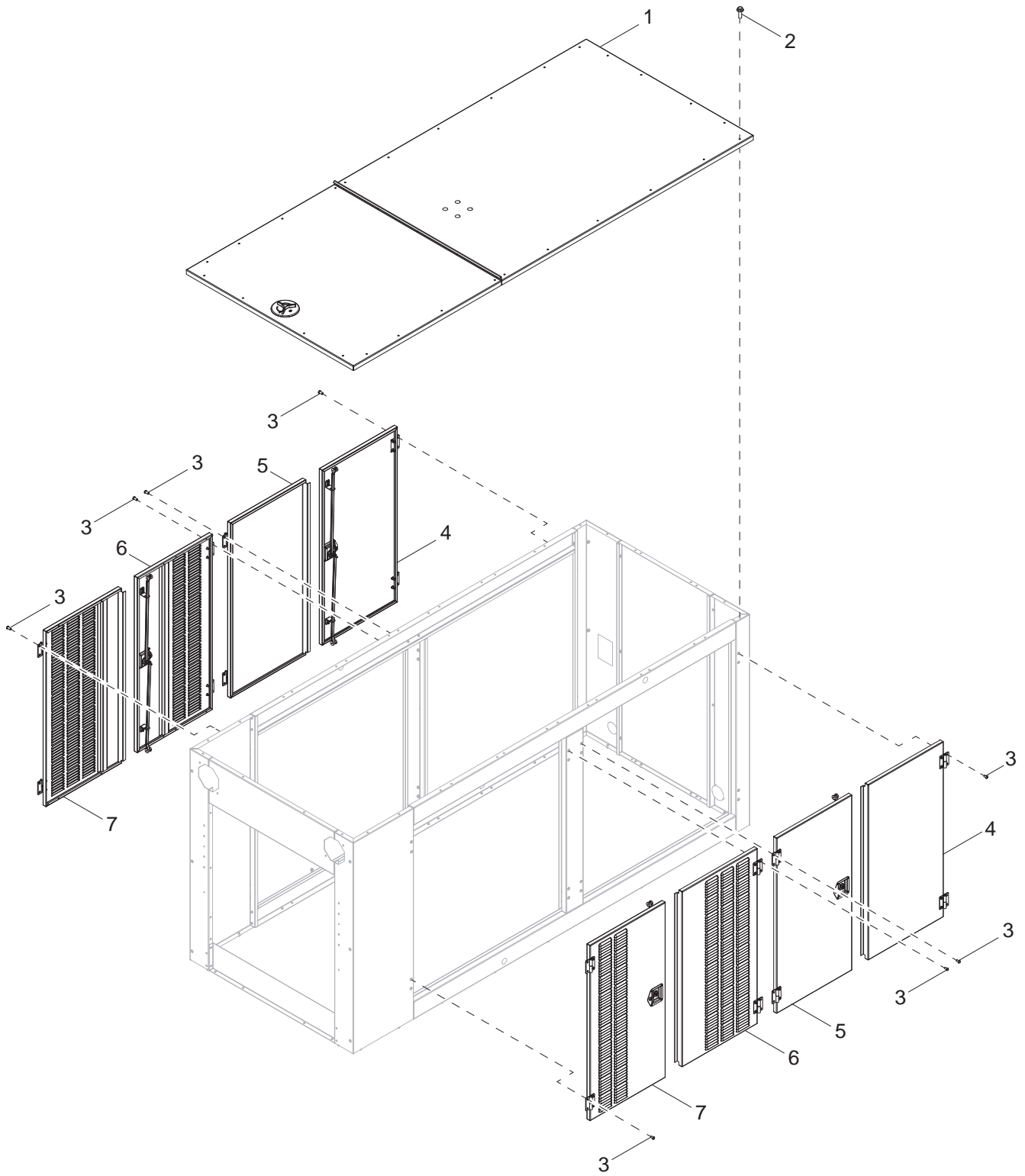


01919

UNIT DECALS - DISCONNECT BOX

Item	Part No.	Qty	Description	Notes
1	38450	1	Decal set, safety	
2	12142	1	Decal, ground	

ROOF AND DOORS TO UNIT

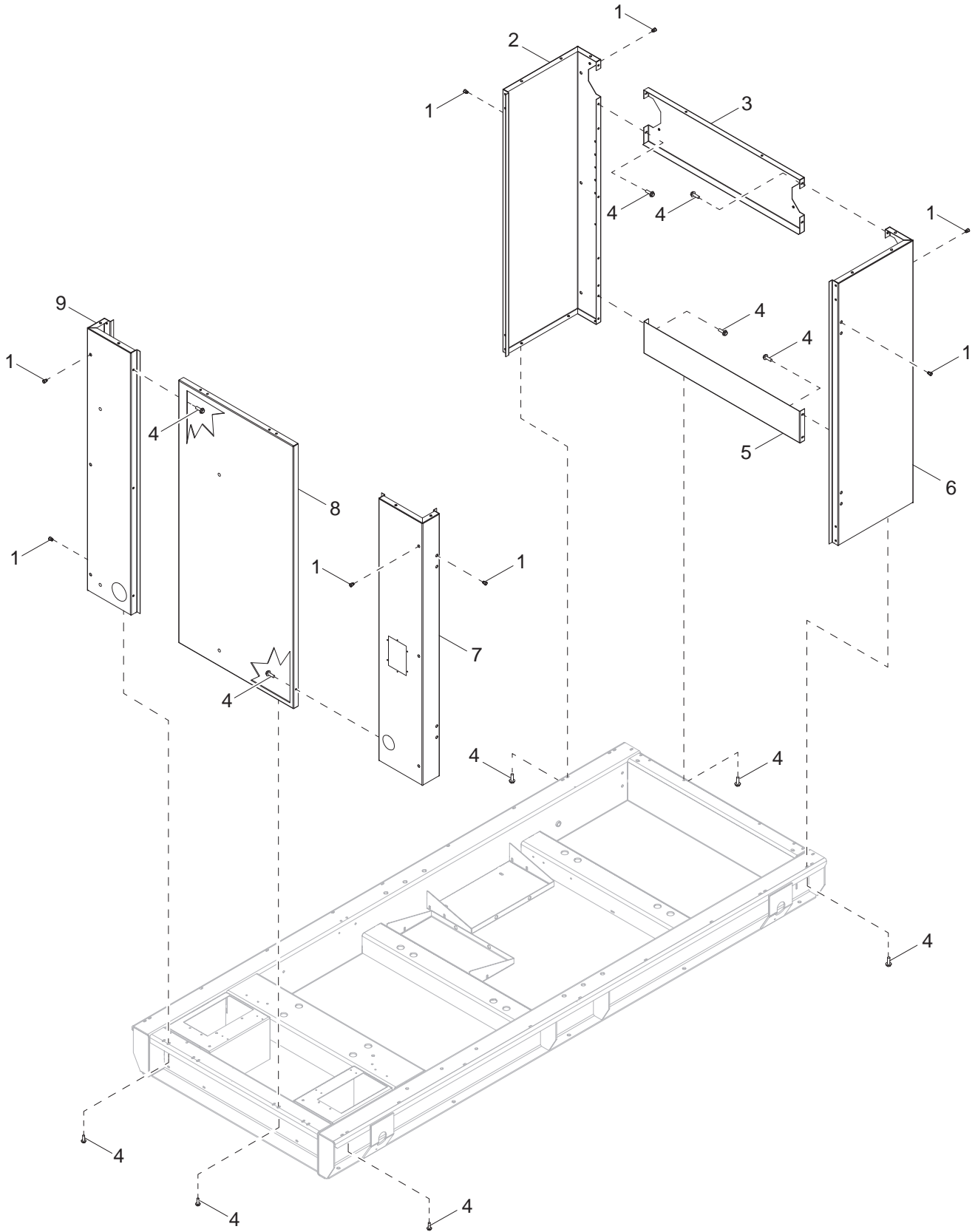


01920

ROOF AND DOORS TO UNIT

Item	Part No.	Qty	Description	Notes
1	Page 32	1	Assembly, roof	
2	60024	28	Screw, M6-1.0 x 25 sflg hex	
3	39635	16	Screw, M8-1.250 x 16 button hex, SS	
4	Page 20	2	Assembly, solid door - right	
5	Page 18	2	Assembly, solid door - left	
6	Page 26	2	Assembly, louvered door - right	
7	Page 24	2	Assembly, louvered door - left	

FRONT AND REAR PANELS TO UNIT

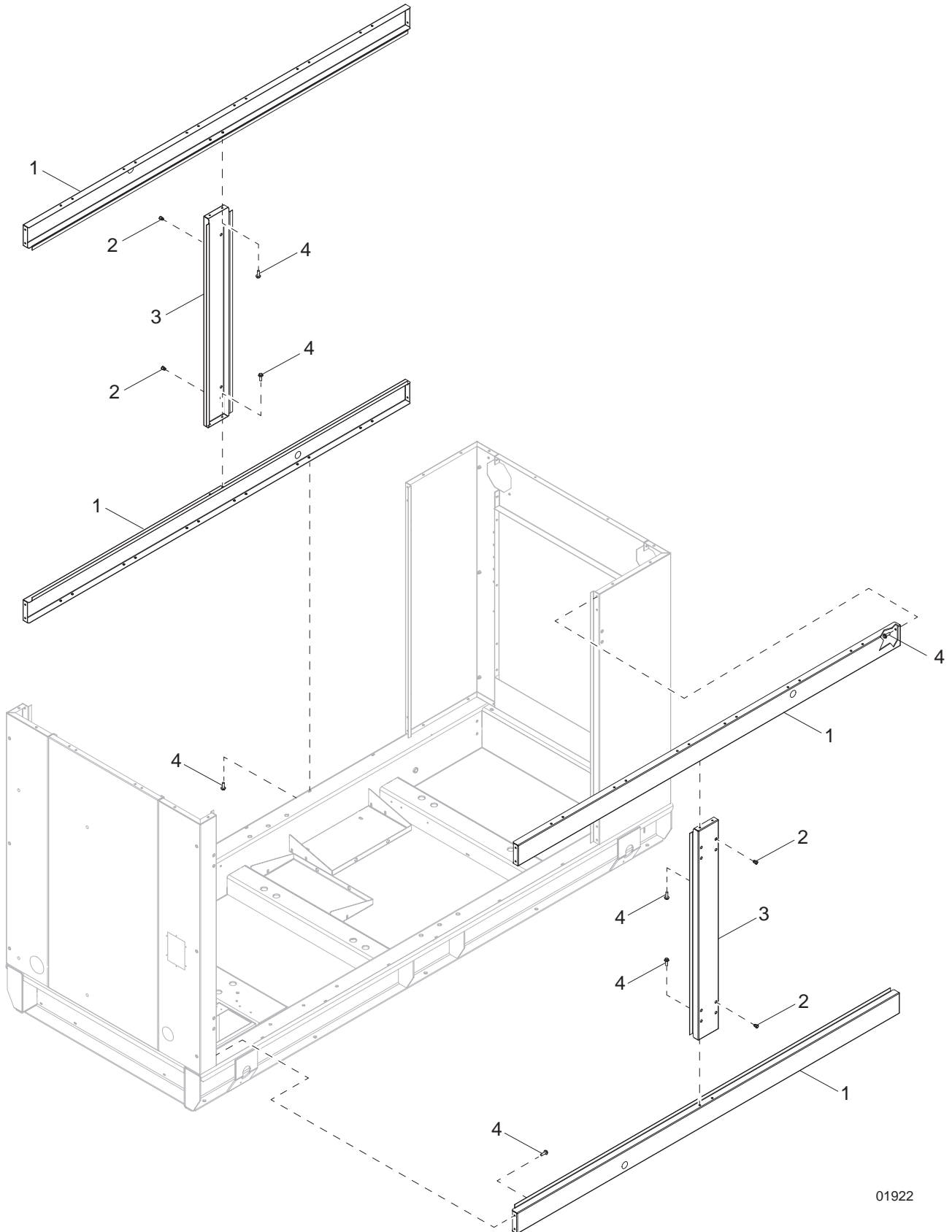


01921

FRONT AND REAR PANELS TO UNIT

Item	Part No.	Qty	Description	Notes
1	63158	28	Insert, M8-1.250	
2	39611	1	Corner post, front - left	
3	39612	1	Block off, top	
4	60024	28	Screw, M6-1.0 x 25 sflg hex	
5	39613	1	Block off, bottom	
6	39610	1	Corner post, front - right	
7	Page 34	1	Assembly, rear corner post - right	
8	39607	1	Panel, center - rear	
9	39605	1	Corner post, rear - left	

CENTER PANELS TO UNIT

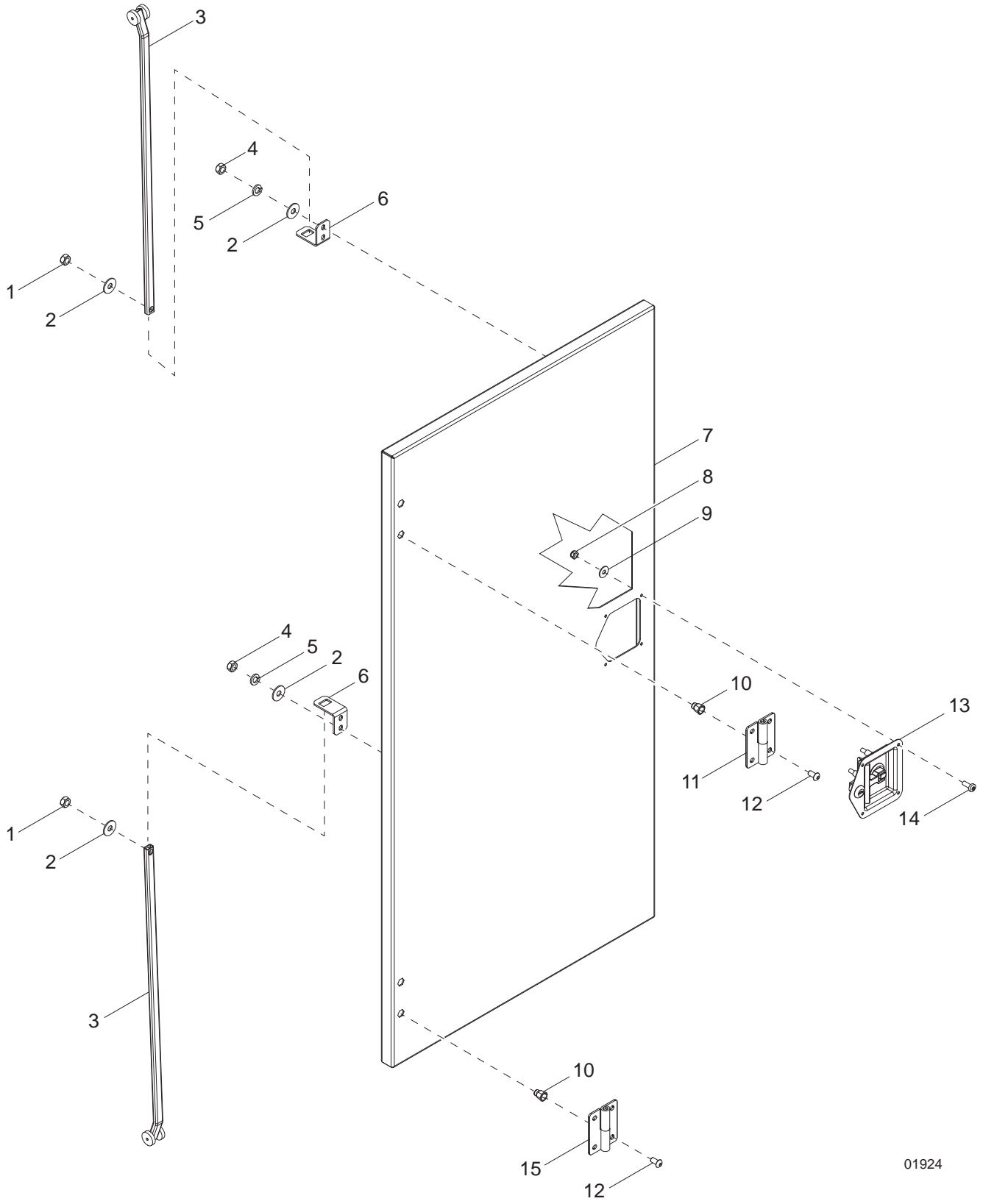


01922

CENTER PANELS TO UNIT

Item	Part No.	Qty	Description	Notes
1	39608	4	Side brace, top and bottom	
2	63158	16	Insert, M8-1.250	
3	39609	1	Support, center door	
4	60024	28	Screw, M6-1.0 x 25 sflg hex	

DOOR ASSEMBLY - LEFT

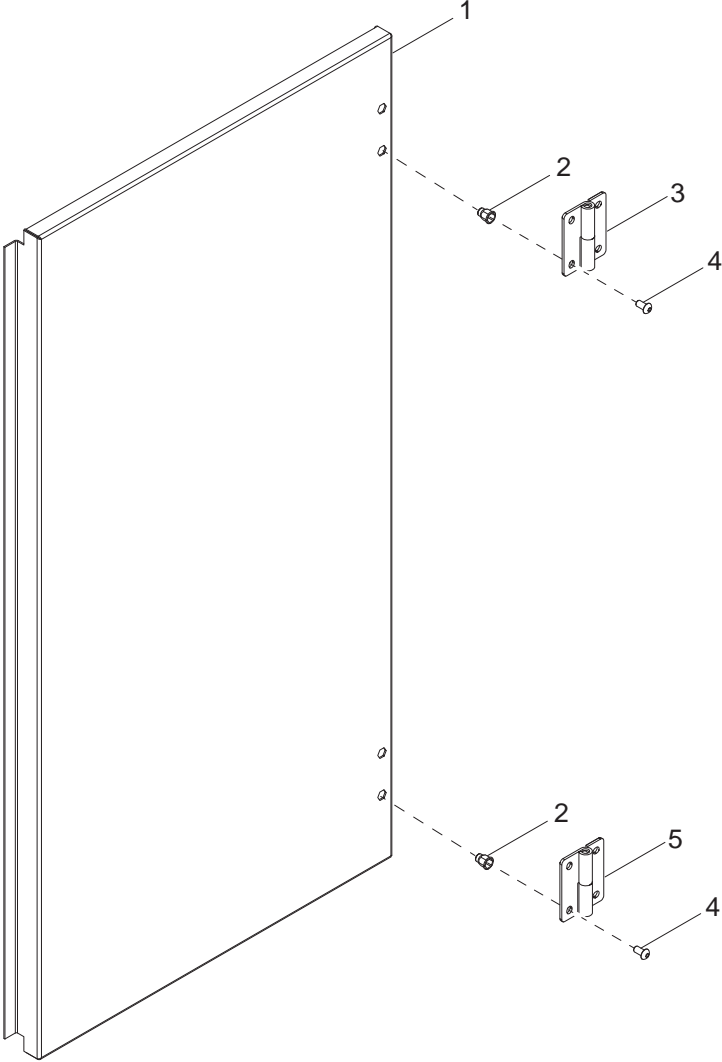


01924

DOOR ASSEMBLY - LEFT

Item	Part No.	Qty	Description	Notes
1	39640	2	Nut, .250-20 nylock	
2	39356	6	Washer, .250-M6 flat	
3	39632	2	Roller rod, T-handle	
4	39419	4	Nut, M6-1.0 hex, G8	
5	38522	4	Washer, M6-.250 split lock	
6	39631	2	Bracket, rod guide	
7	39628	1	Door, solid - left	
8	39639	4	Nut, M4-.70 nylock, SS	
9	39593	4	Washer, #8 flat, SS	
10	63158	4	Insert, M8-1.250	
11	39625	1	Hinge, M8 top - left	
12	39635	4	Screw, M8-1.250 x 16 button hex, SS	
13	39630	1	T-handle, 2 point - double door	
14	39637	4	Screw, M4-.70 phil, XSS	
15	53471	1	Hinge, M8 bottom - left	

DOOR ASSEMBLY - RIGHT

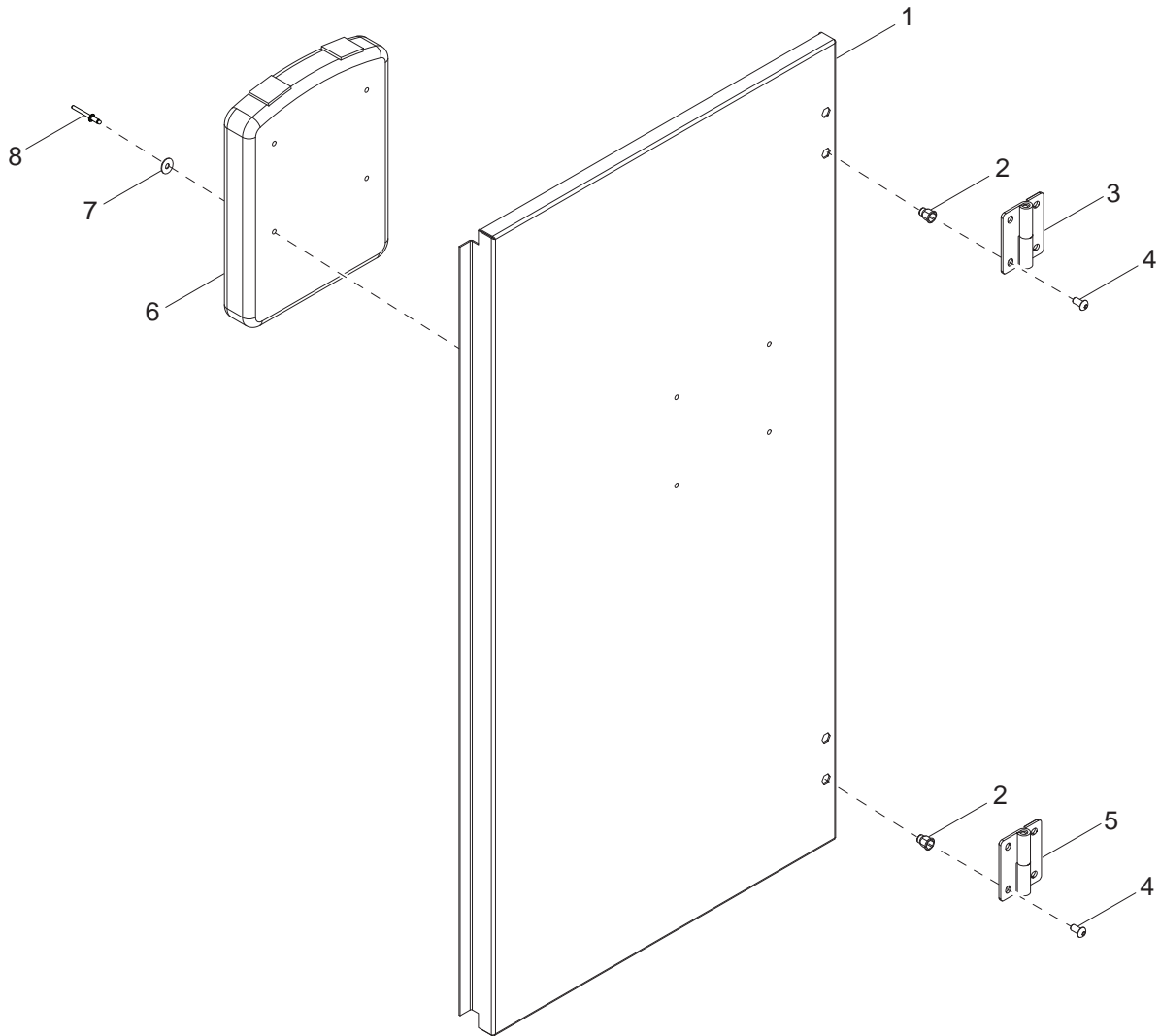


01925

DOOR ASSEMBLY - RIGHT

Item	Part No.	Qty	Description	Notes
1	39629	1	Door, solid - right	
2	63158	4	Insert, M8-1.250	
3	39624	1	Hinge, M8 top - right	
4	39635	4	Screw, M8-1.250 x 16 button hex, SS	
5	53470	1	Hinge, M8 bottom - right	

DOOR ASSEMBLY - RIGHT (WITH MANUAL HOLDER)

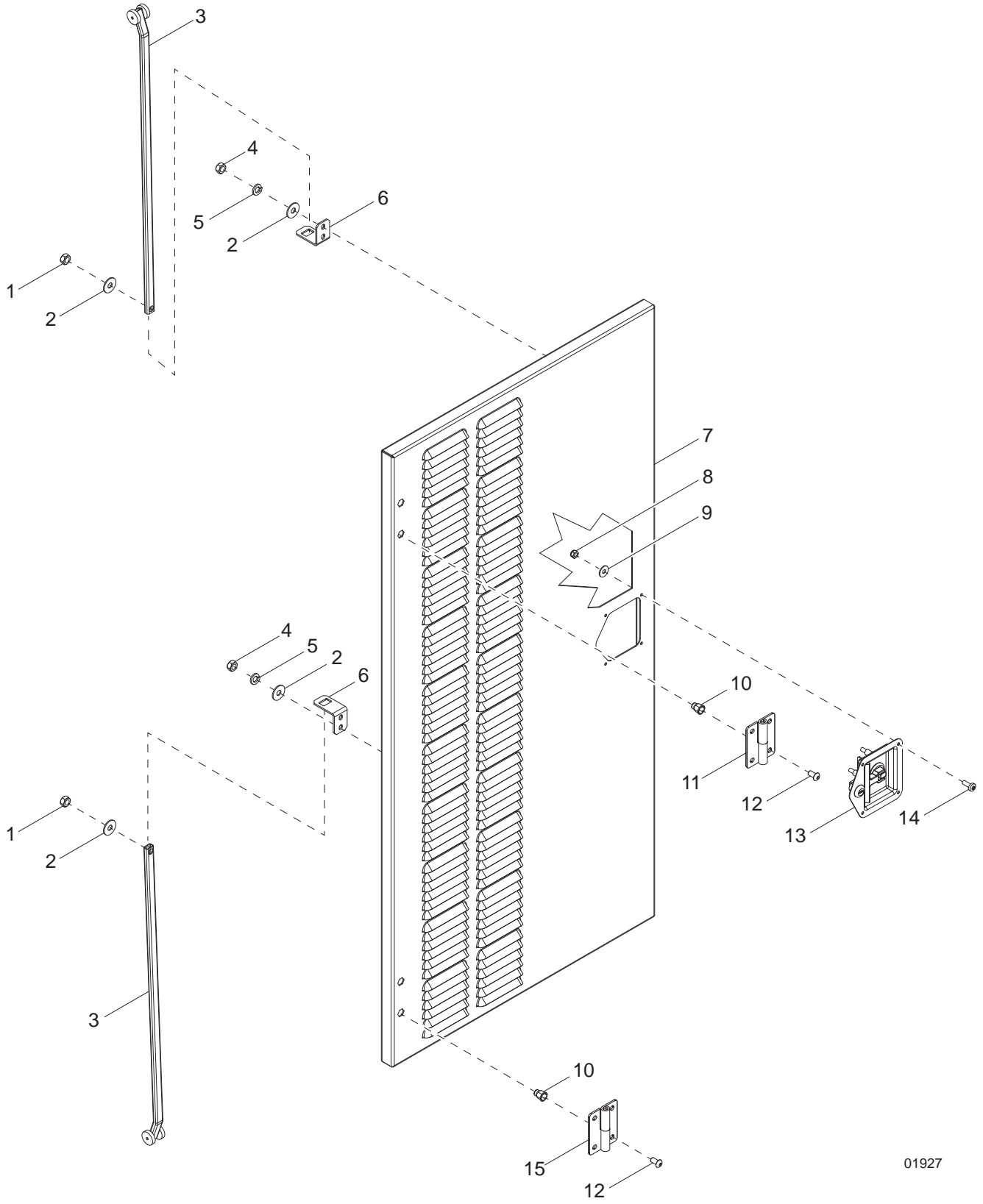


01926

DOOR ASSEMBLY - RIGHT (WITH MANUAL HOLDER)

Item	Part No.	Qty	Description	Notes
1	39629	1	Door, solid - right	
2	63158	4	Insert, M8-1.250	
3	39624	1	Hinge, M8 top - right	
4	39635	4	Screw, M8-1.250 x 16 button hex, SS	
5	53470	1	Hinge, M8 bottom - right	
6	24540	1	Holder, manual	
7	60067	4	Washer, #10 flat .435/.060, SS	
8	60268	4	Rivet, .188 dia x .126 to .250 grip	

DOOR ASSEMBLY - LOUVERED - LEFT

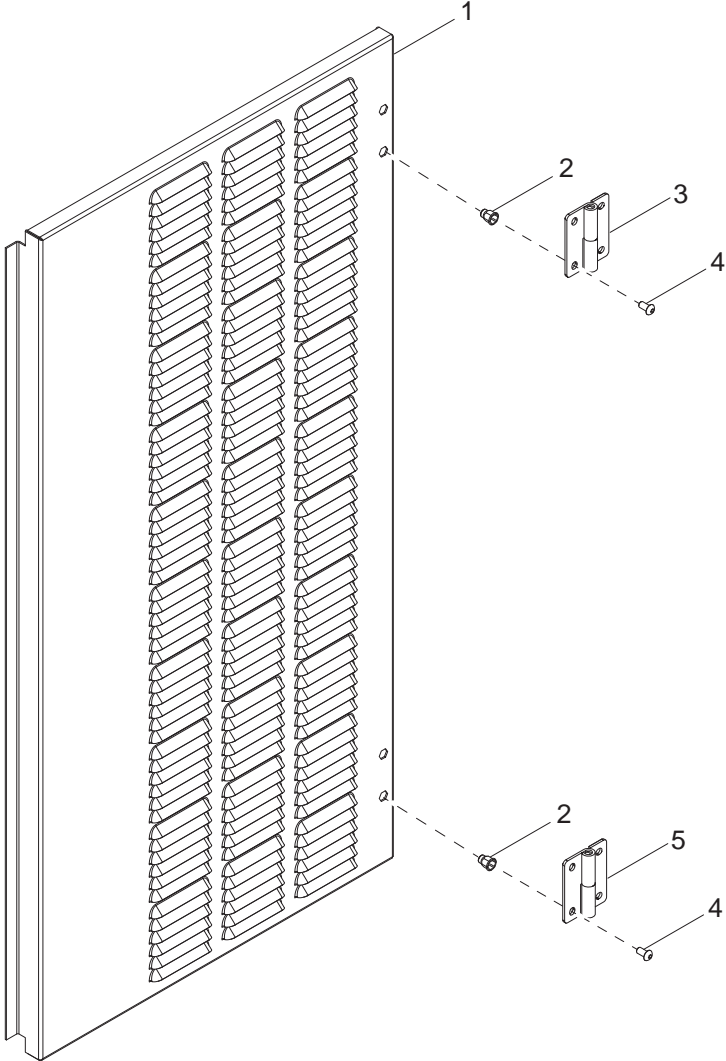


01927

DOOR ASSEMBLY - LOUVERED - LEFT

Item	Part No.	Qty	Description	Notes
1	39640	2	Nut, .250-20 nylock	
2	39356	6	Washer, .250-M6 flat	
3	39632	2	Roller rod, T-handle	
4	39419	4	Nut, M6-1.0 hex, G8	
5	38522	4	Washer, M6-.250 split lock	
6	39631	2	Bracket, rod guide	
7	39626	1	Door, louvered - left	
8	39639	4	Nut, M4-.70 nylock, SS	
9	39593	4	Washer, #8 flat, SS	
10	63158	4	Insert, M8-1.250	
11	39625	1	Hinge, M8 top - left	
12	39635	4	Screw, M8-1.250 x 16 button hex, SS	
13	39630	1	T-handle, 2 point - double door	
14	39637	4	Screw, M4-.70 phil, XSS	
15	53471	1	Hinge, M8 bottom - left	

DOOR ASSEMBLY - LOUVERED - RIGHT

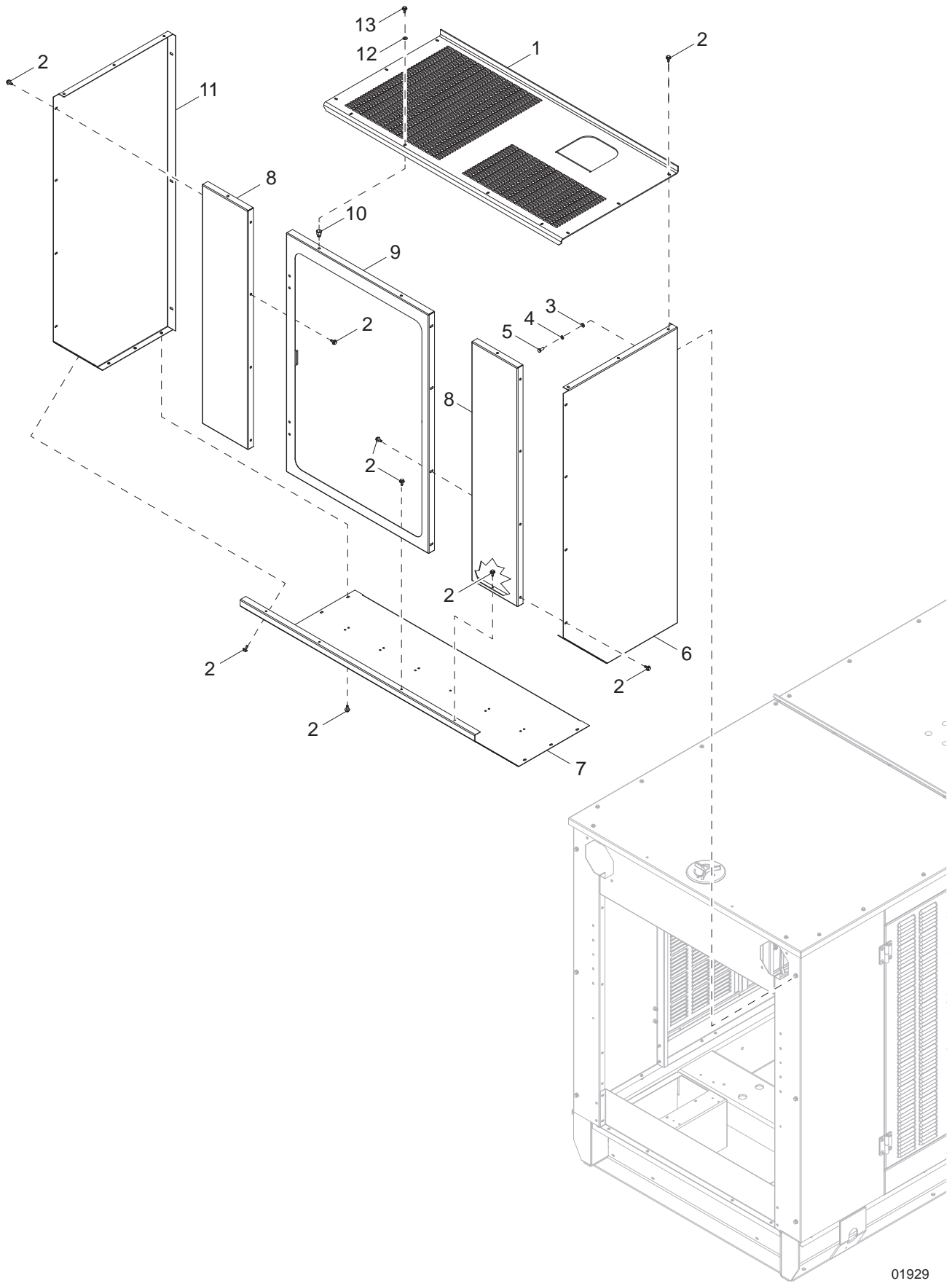


01928

DOOR ASSEMBLY - LOUVERED - RIGHT

Item	Part No.	Qty	Description	Notes
1	39627	1	Door, louvered - right	
2	63158	4	Insert, M8-1.250	
3	39624	1	Hinge, M8 top - right	
4	39635	4	Screw, M8-1.250 x 16 button hex, SS	
5	53470	1	Hinge, M8 bottom - right	

FRONT ENCLOSURE ASSEMBLY

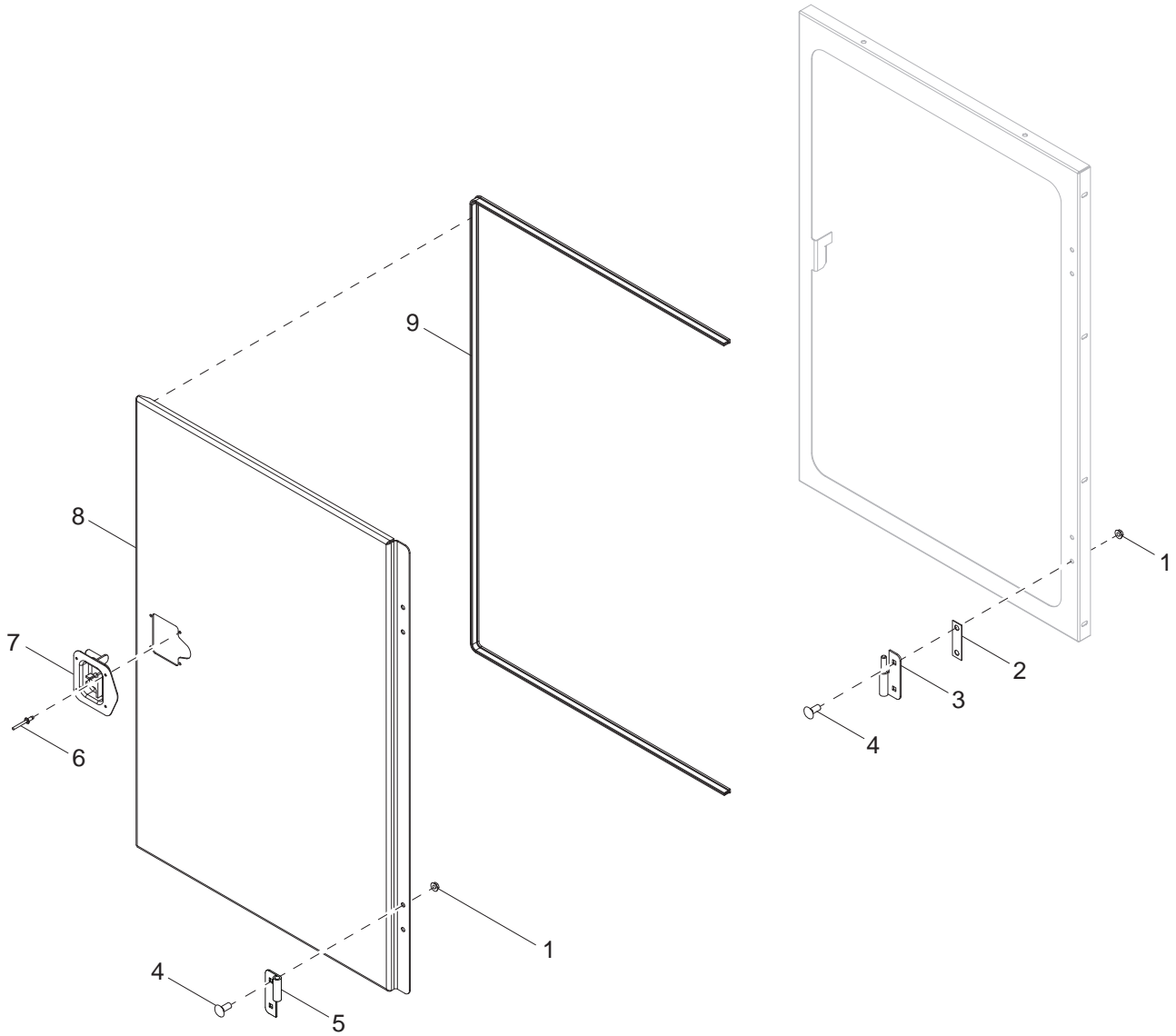


01929

FRONT ENCLOSURE ASSEMBLY

Item	Part No.	Qty	Description	Notes
1	35105WG	1	Cover, exhaust bay	MGG200 only
--	38523	1	Duct, front top left	MGG200G only
2	60024	28	Screw, M6-1.0 x 25 sflg hex	
3	39345	6	Washer, .312 flat	
4	38382	6	Washer, .312 split lock	
5	38383	6	Screw, M8-1.250 x 20 hex, G8.8	
6	39617	1	Duct, front left	
7	39619	1	Duct, bottom	
8	39620	2	Duct, front side	
9	36670WG	1	Panel. exhaust cabinet access	
10	63231	2	Insert, threaded, .250-20 hex .027-.165 grip	
11	39618	1	Duct, front right	
12	34542	2	Washer, .250 flat acetal	
13	60175	2	Screw, .250-20 x .500 sflg hex, G5	

CATALYST DOOR ASSEMBLY

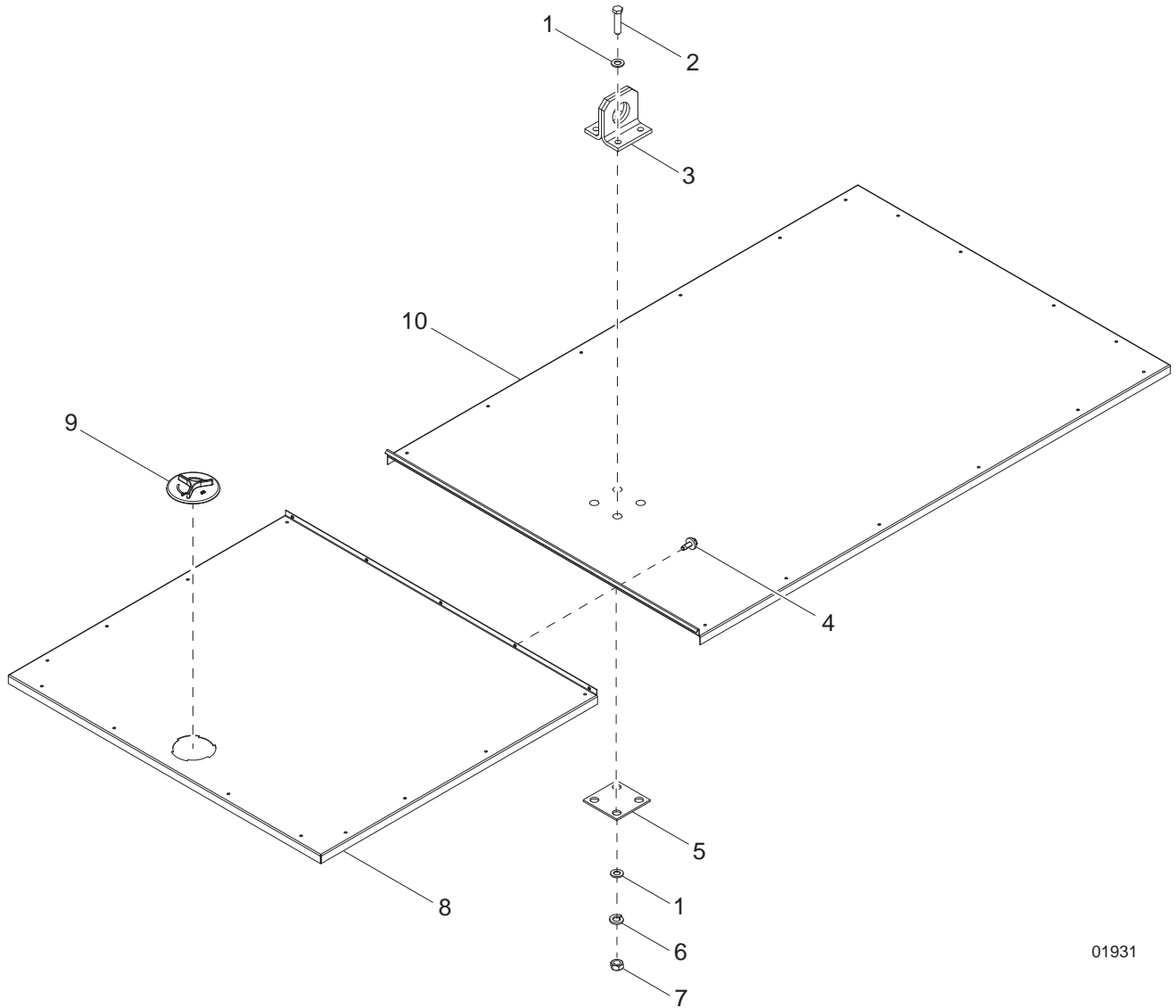


01930

CATALYST DOOR ASSEMBLY

Item	Part No.	Qty	Description	Notes
1	60095	8	Nut, .312-18 sflg hex	
2	35041WG	2	Spacer, catalyst door hinge	
3	18461	2	Hinge, left - male	
4	61066	8	Screw, .312-18 x 1.0 carriage, SS	
5	18460	2	Hinge, left - female	
6	60268	4	Rivet, .188 dia x .126 to .250 grip	
7	22498	1	Latch, T-handle - right ccw lock	
8	35042WG	1	Door, catalyst access	
9	19350	8.25 ft	Seal, weatherstripping - door	

ROOF ASSEMBLY

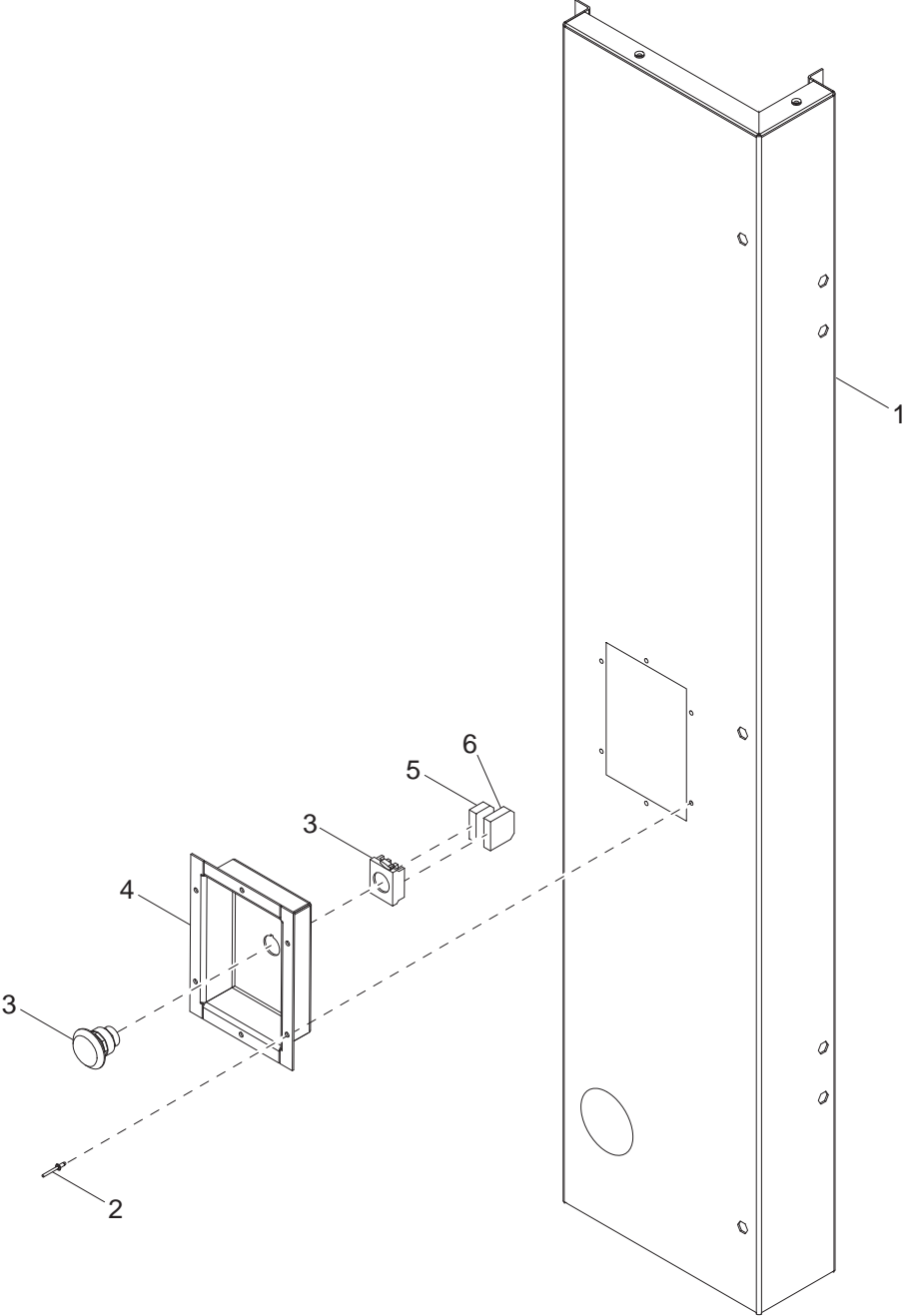


01931

ROOF ASSEMBLY

Item	Part No.	Qty	Description	Notes
1	60527	8	Washer, .750 flat 1.50/.125, hardened	
2	60532	4	Screw, .750-10 x 3.0 hex, G8	
3	18053B	1	Bracket, lift eye	
4	60024	5	Screw, M6-1.0 x 25 sflg hex	
5	31823B	1	Spacer, lift plate	
6	60248	4	Washer, .750 split lock	
7	60249	4	Nut, .750-10 hex, G8	
8	53276	1	Roof, front	
9	39623	1	Assembly, access cover	
10	53277	1	Roof, rear	

REAR CORNER ASSEMBLY - RIGHT

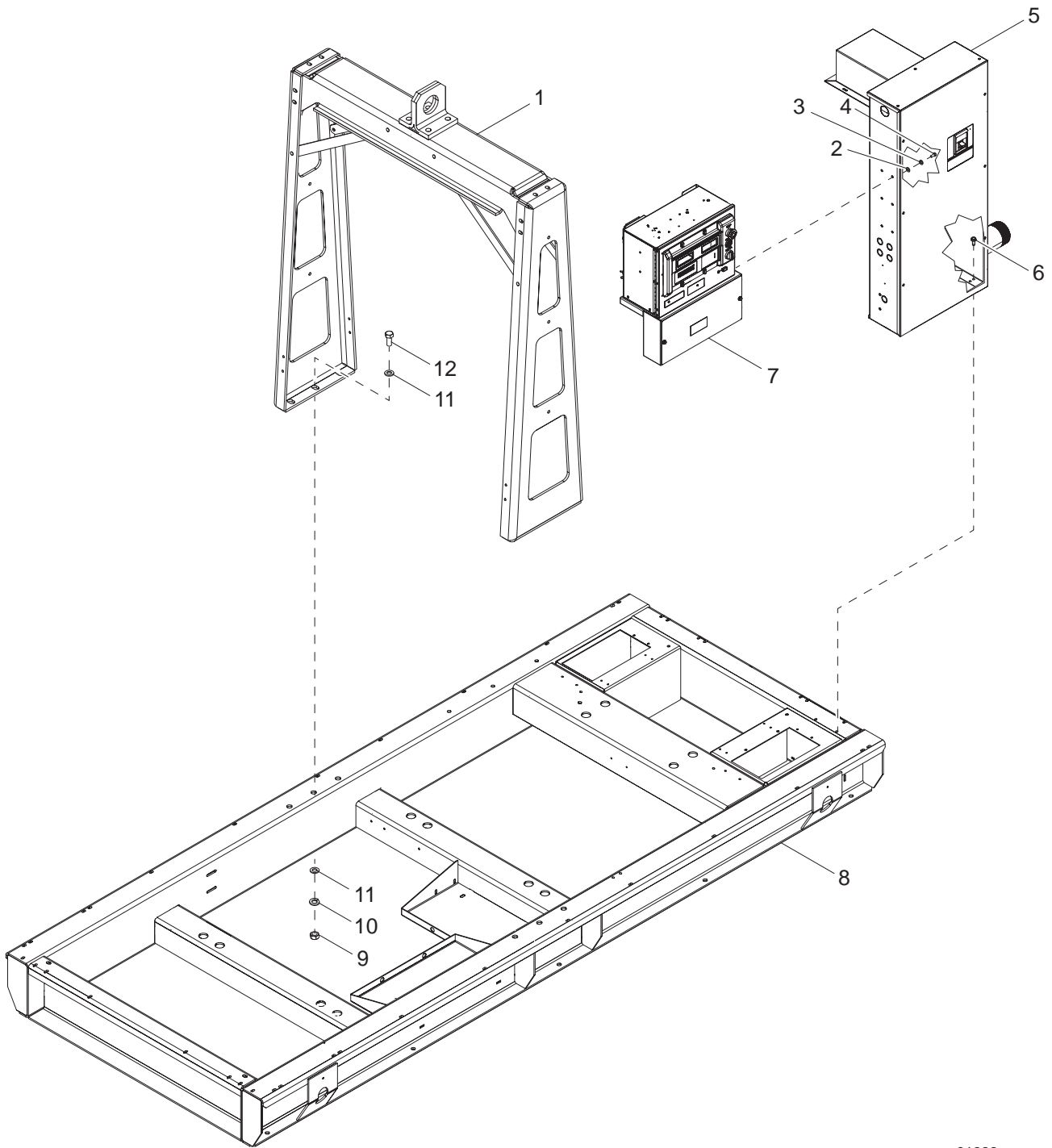


01932

REAR CORNER ASSEMBLY - RIGHT

Item	Part No.	Qty	Description	Notes
1	39606	1	Corner post, rear - right	
2	60260	6	Rivet, .188 dia x .375 to .500 grip	
3	65470	1	Switch, E-stop operator	
4	30645	1	Panel, E-stop	
5	65471	1	Block, E-stop contactor - N.O.	
6	65472	1	Block, E-stop contactor - N.C./N.O.	
--	31779	1	Assembly, E-stop	

CONTROL BOXES AND LIFT STRUCTURE TO UNIT

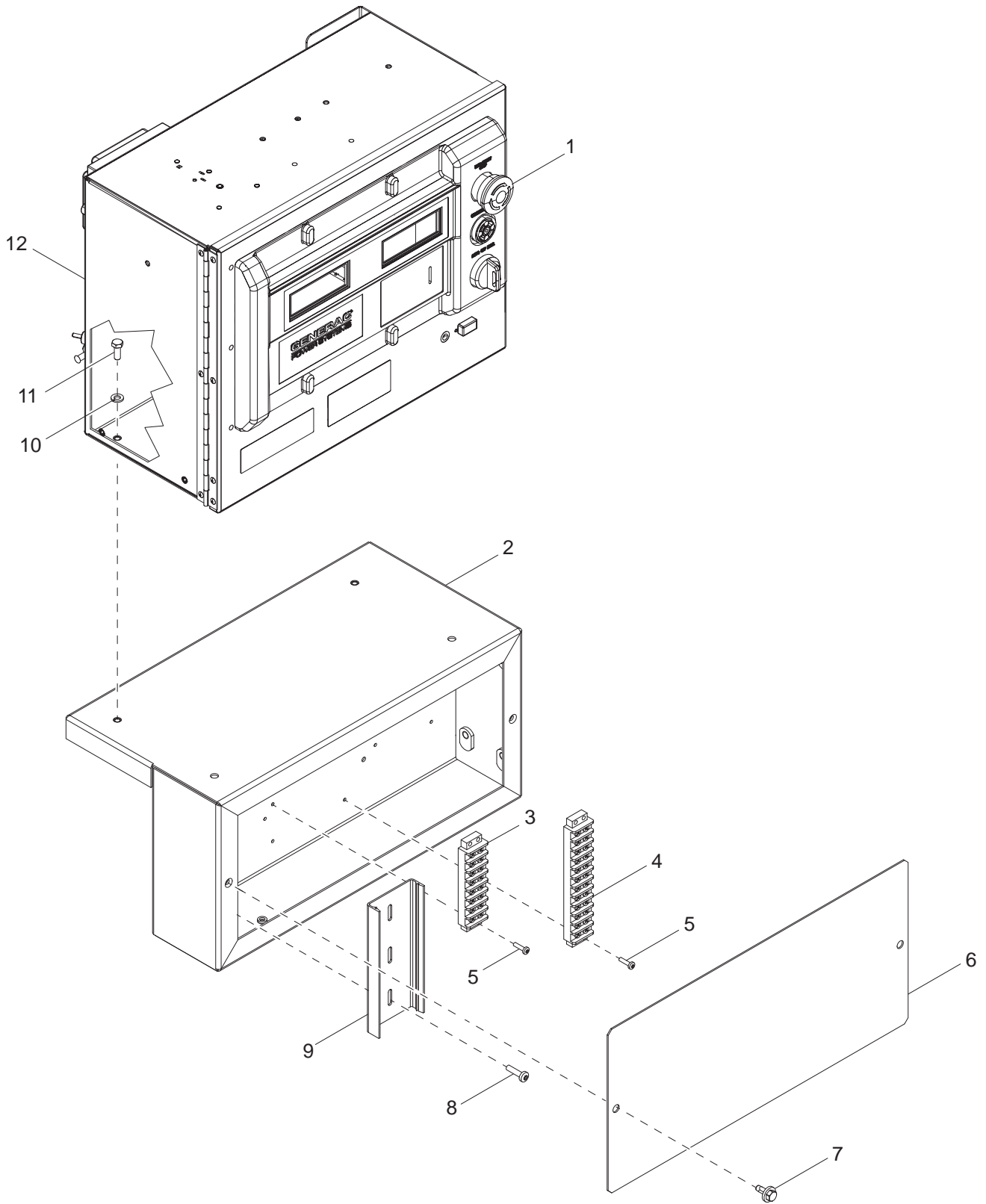


01933

CONTROL BOXES AND LIFT STRUCTURE TO UNIT

Item	Part No.	Qty	Description	Notes
1	Page 42	1	Assembly, lift structure	
2	39345	4	Washer, .312 flat	
3	38382	4	Washer, M8-312 split lock	
4	38383	4	Screw, M8-1.25 x 20 hex, G8.8	
5	Page 40	1	Assembly, connection box	
6	39427	4	Screw, .312-18 x .75 hex	
7	Page 38	1	Assembly, control box	
8	Page 70	1	Assembly, skid	
9	60249	6	Nut, .750-10 hex, G8	
10	60248	6	Washer, .750 split lock	
11	60527	12	Washer, .750 flat - 1.50/.125	
12	63111	6	Screw, .750-10 x 2.250 flg hex, G8	

CONTROL BOX ASSEMBLY

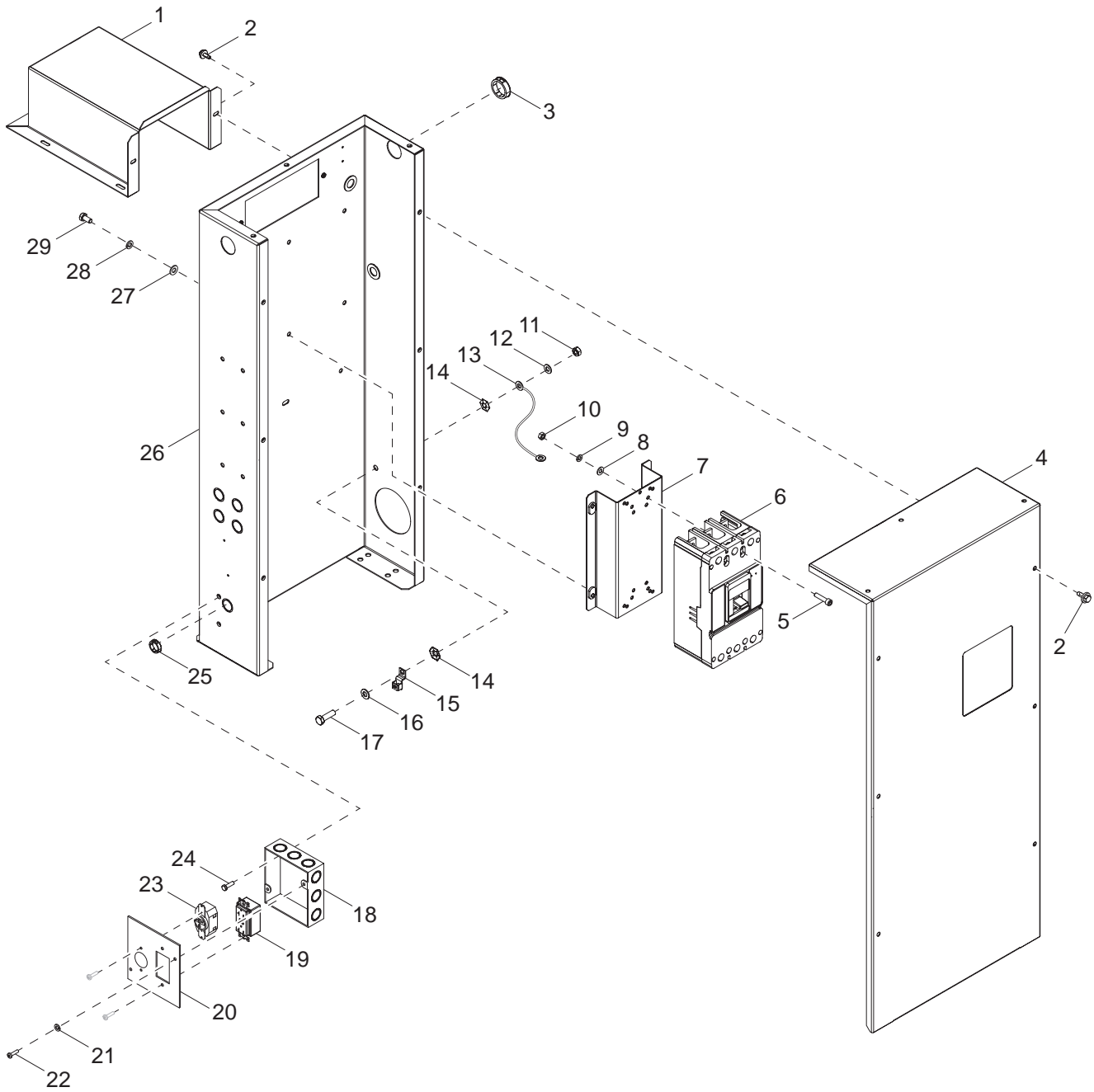


01934

CONTROL BOX ASSEMBLY

Item	Part No.	Qty	Description	Notes
1	36758	1	H-panel, programmed	
2	39478	1	Cover, customer connection H-panel	
3	39477	1	Block, terminal, 20A, 8 x 6 x 1100V	
4	39459	1	Block, terminal, 20A, 12 x 6 x 1100V	
5	53280	4	Screw, M4-.70 x 16 pan phil	
6	39478	1	Cover, customer connect - H-panel	
7	60024	2	Screw, M6-1.0 x 25 sflg hex	
8	39422	2	Screw, M4-.70x16 torx head	
9	35876	1	Rail, PCB holder	
10	38522	4	Washer, M6-.250 split lock	
11	39479	4	Screw, M6-1.0 x 16, G8.8	
12	39473	1	Assembly, H-panel - 2.5A BATC, 12V	
--	65211-10	2	Fuse, 10A - blade type	Inside 39473
--	65211-15	1	Fuse, 15A - blade type	Inside 39473
--	53472	1	Harness, run relay, H-panel	
--	32371	1	Harness, remote stop, H-panel	
--	53474	1	Harness, 390/520 connect box, H-panel	
--	53278	1	Assembly, control box	Items 1-12

CONNECTION BOX ASSEMBLY

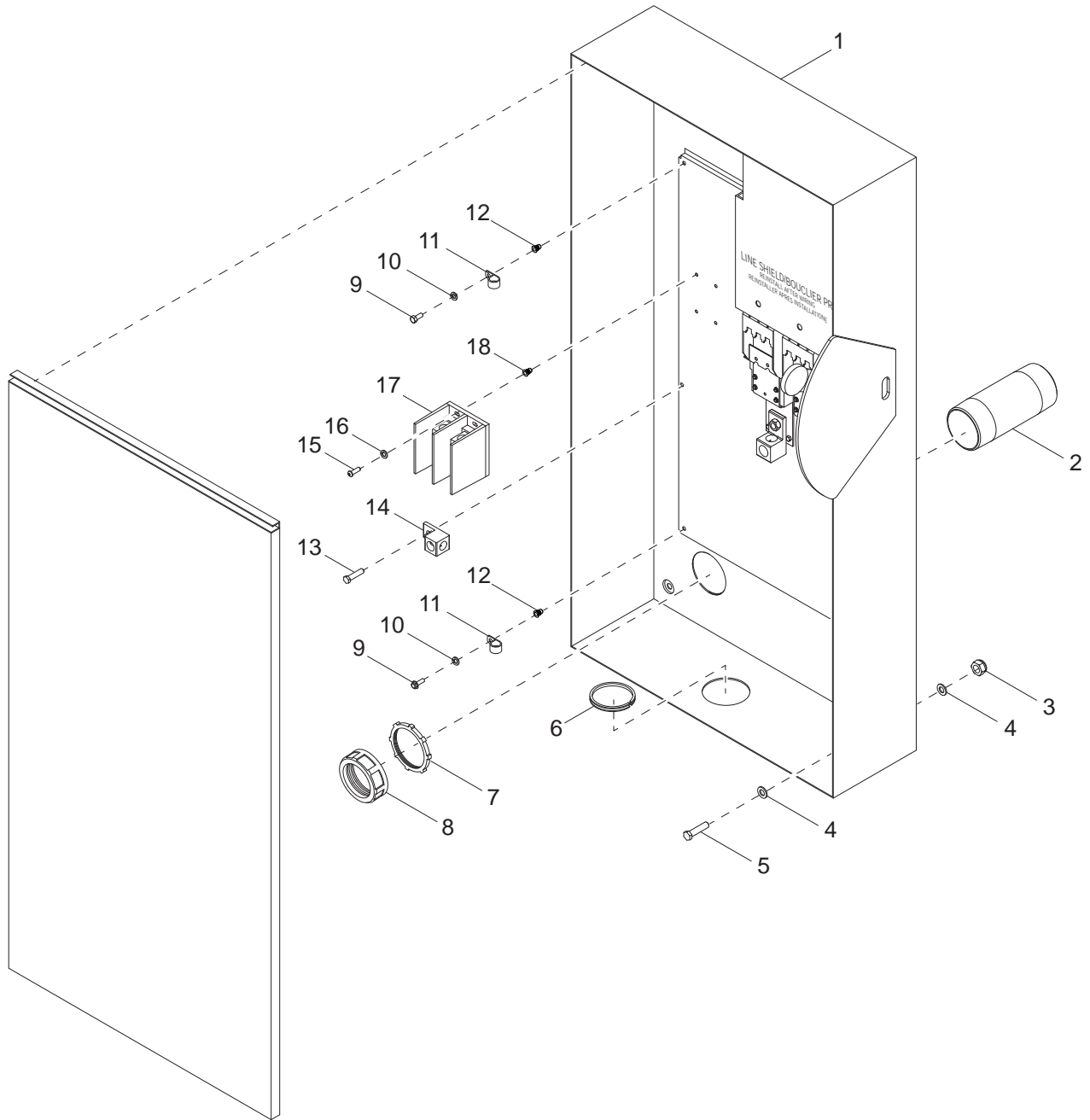


01935

CONNECTION BOX ASSEMBLY

Item	Part No.	Qty	Description	Notes
1	39421	1	Funnel, wire	
2	60024	11	Screw, M6-1.0 x 25 sflg hex	
3	39430	2	Plug, 1.50 plastic	
4	39412	1	Cover, MD3 module	
5	39418	1	Screw, M6-1.0 x 45, G12.9	
6	53353	1	Breaker, Eaton K-frame	
7	39413	1	Bracket, circuit breaker	
8	39345	4	Washer, .312 flat	
9	38522	4	Washer, M6-.250 split lock	
10	39419	4	Nut, M6-1.0 hex, G8	
11	60033	1	Nut, M10-1.50 hex, G8	
12	53324	1	Washer, .562 flat	
13	39428	1	Assembly, 3/0 ground wire - .375 lug	
14	39424	2	Washer, .375 special lock	
15	39423	1	Lug, 3/0 - #4 x .406	
16	60027	1	Washer, M10-.375 flat	
17	39429	1	Screw, M10-1.5 x 35 hex, G8.8	
18	53386	1	Box, square 4-.687 w/KNOs	
19	53387	1	Receptacle, 125V/20A - GFCI	
20	53388	1	Cover, dual receptacle - 120/240	
21	60058	2	Washer, #6 split lock	
22	53389	2	Screw, #6-32 x .375 pan phil	
23	53390	1	Receptacle, 250V/15A - NEMA	
24	60135	2	Screw, M6-1.0 x 16 sflg	
25	53391	1	Bushing, snap SB-875-11	
26	39420	1	Module, main breaker - MD3	
27	39356	4	Washer, M6-.250 flat	
28	38382	4	Washer, M8- .312 split lock	
29	39406	4	Screw, M8-1.25 x 16 hex, G8.8	
--	53282	1	Assembly, connection box	

DISCONNECT BOX ASSEMBLY

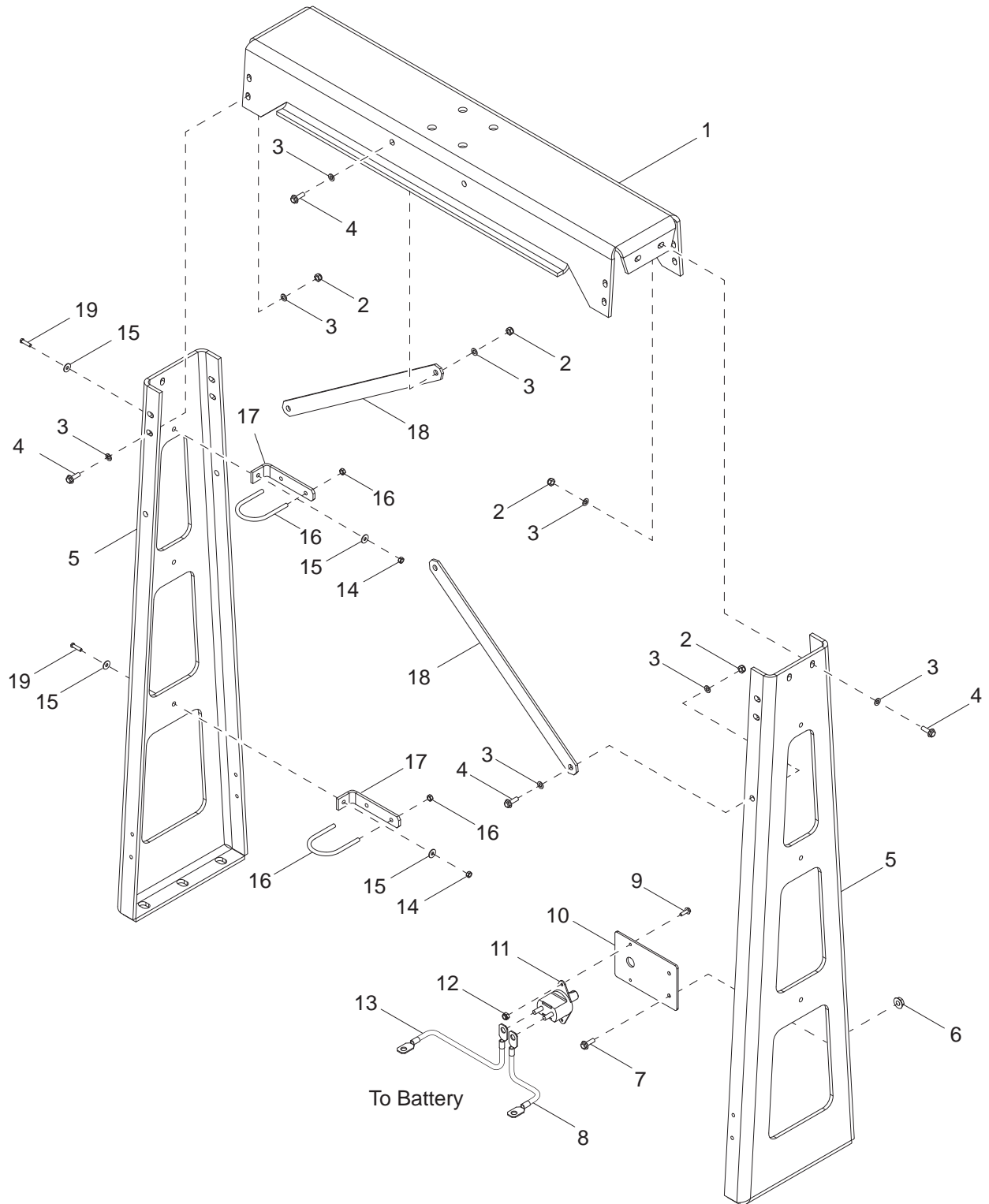


01937

DISCONNECT BOX ASSEMBLY

Item	Part No.	Qty	Description	Notes
1	31014	1	Box, disconnect switch, 400A, 600V AC/DC	
2	34507	1	Fitting, pipe nipple - 3.0NPT x 8.0, black pipe	
3	62221	4	Nut, .500-13 nylock, G5	
4	60309	8	Washer, .500 flat - 1.060/.090	
5	63186	4	Screw, .500-13 x 1.250 std hex, G5	
6	19351	.833 ft	Seal, U-channel	
7	31797	2	Fitting, conduit lock nut - 3.0NPT	
8	31796	2	Fitting, insulating bushing - 3.0NPT	
9	60281	2	Screw, .250-20 x .750 hex, G5	
10	60286	2	Washer, .250 split lock	
11	60716	2	Clamp, tubing - 1.50 light duty	
12	62132	2	Insert, threaded .250-20 - splined, .027 - .165 grip	
13	60479	1	Screw, .250-20 x 1.0 sflg hex, G5	
14	65225	1	Lug, terminal - single, 1 hole	
15	60062	4	Screw, 10-32 x .750 pan phil, G2	
16	60252	4	Washer, #10 split lock	
17	65165	1	Block, terminal, 2 pole - lug type	
18	32922	4	Insert, threaded .#10-20 - splined, .020 - .130 grip	
--	67903	1	Wire Group, 1/0 leads	
--	31778	1	Assembly, disconnect switch box, 400A/600V, AC/DC	

LIFT STRUCTURE ASSEMBLY

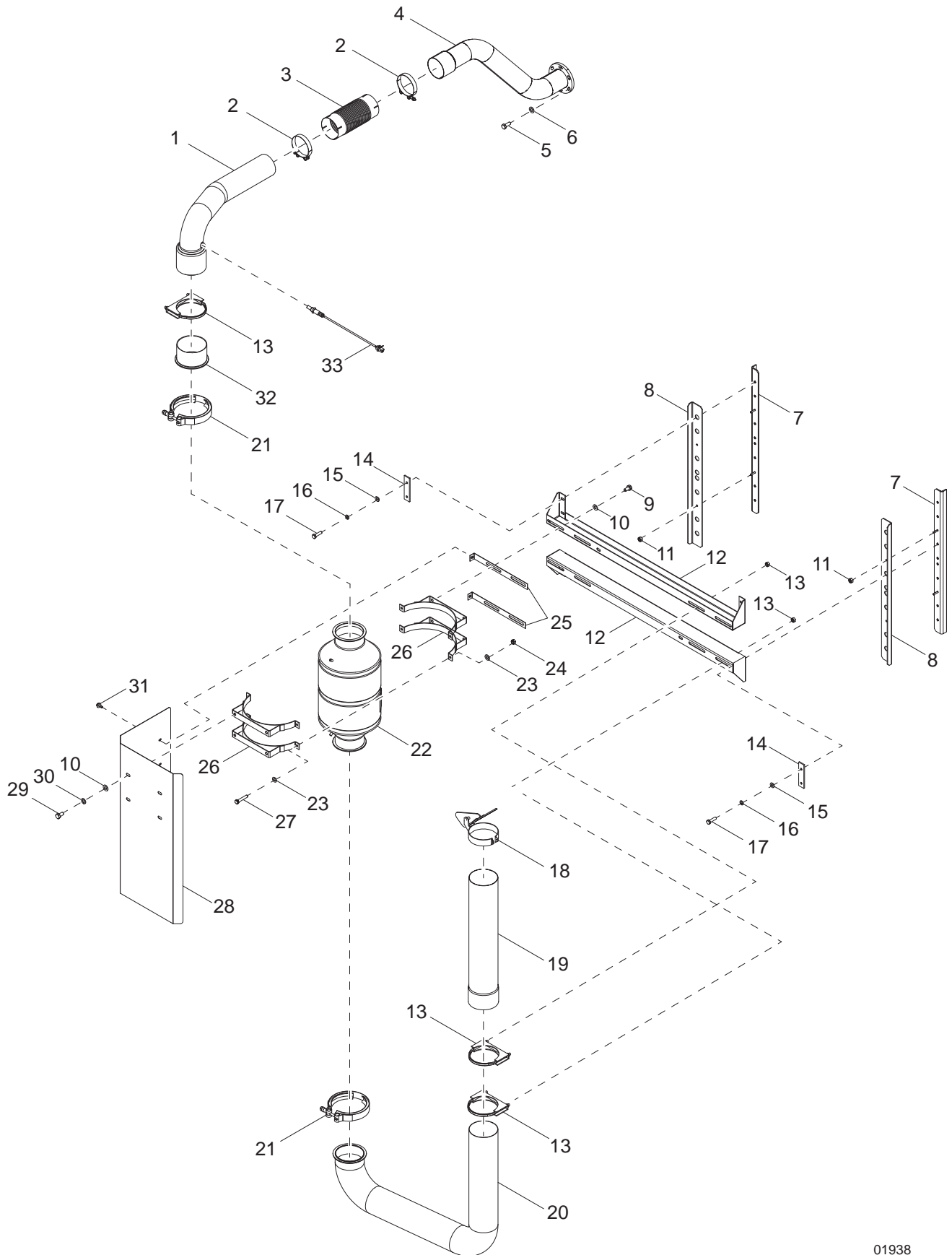


01936

LIFT STRUCTURE ASSEMBLY

Item	Part No.	Qty	Description	Notes
1	34766B	1	Cross member, lift structure	
2	60668	20	Nut, .500-13 nylock	
3	60670	40	Washer, .500 flat 1.060/.110, G8	
4	60118	20	Screw, .500-13 x 2.0 flg hex, G8	
5	34767B	2	Side member, lift structure	
6	60095	2	Nut, .312-18 sflg	
7	60516	2	Screw, .312-18 x 1.25 sflg hex	
8	34536	1	Cable, battery - 12 in. 4/0 GA black, 1/2 in. lug	
9	60479	2	Screw, .250-20 x 1.0 sflg hex, G5	
10	21494B	1	Bracket, battery disconnect	
11	21489	1	Switch, battery disconnect	
12	63075	2	Nut, .250-20 flg nylock, G5	
13	34535	1	Cable, battery - 50 in. 4/0 GA black, 1/2 in. lug	
14	60358	2	Nut, .375-16 nylock, G5	
15	60386	4	Washer, .375 flat .993/.064	
16	31153B	2	Bracket, hose mount	
17	61028	2	Clamp, muffler 2.50 light duty	
18	31139B	4	Plate, lift structure cross member	
19	60139	2	Screw, .375-16 x 1.50 std hex, G5	

EXHAUST SYSTEM ASSEMBLY

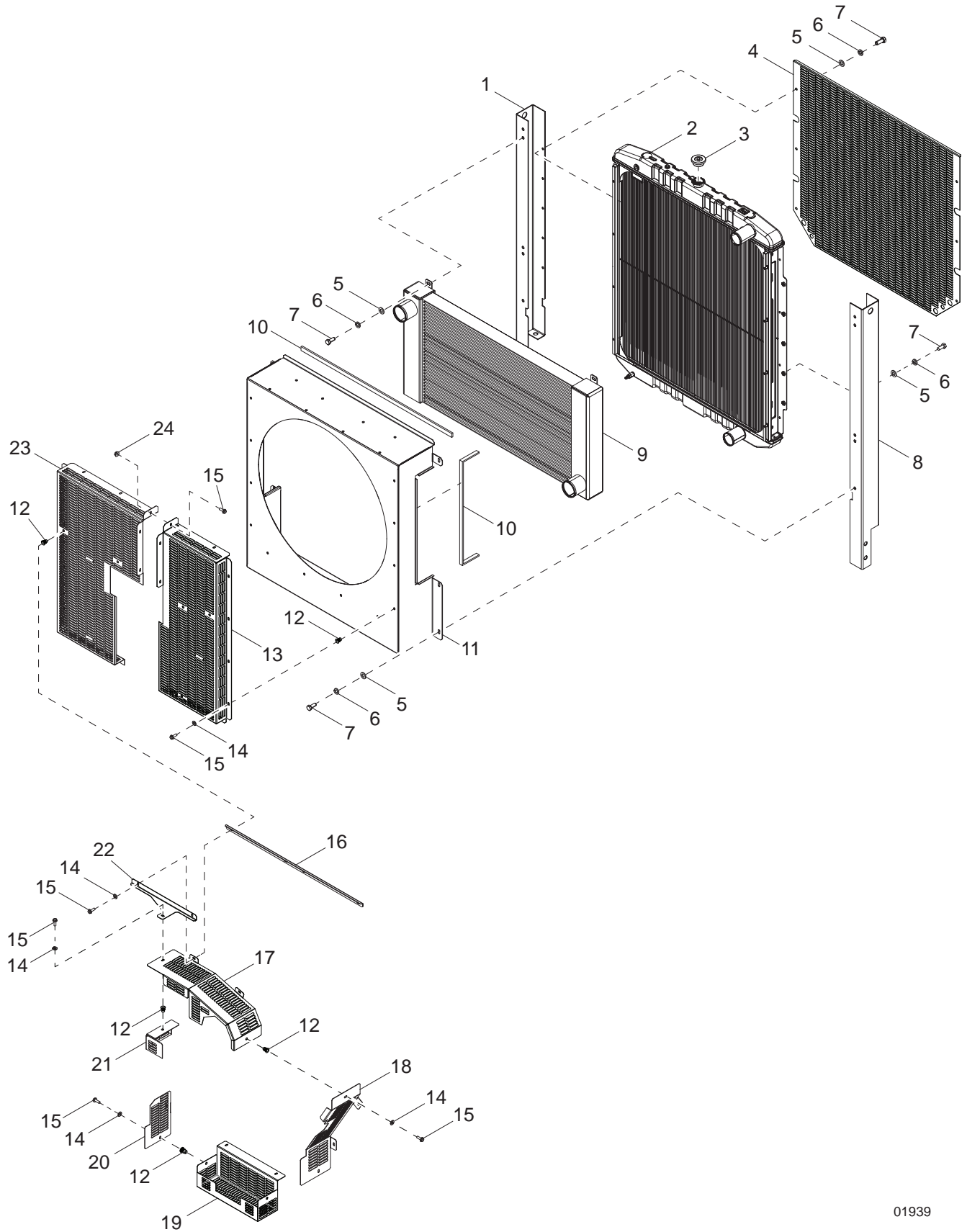


01938

EXHAUST SYSTEM ASSEMBLY

Item	Part No.	Qty	Description	Notes
1	34727	1	Pipe, exhaust - catalyst, G20	
2	34946	2	Clamp, band - 4.0 in	
3	34618	1	Pipe, flex - 4.0 in	
4	34728	1	Pipe, exhaust - upper G20	
5	39560	6	Screw, M10-1.5 x 25, SS	
6	39559	6	Washer, M10 split lock, SS	
7	39596	2	Stiffener, exhaust bracket - inner	
8	39602	2	Stiffener, corner posts	
9	39512	4	Screw, M10-1.50 x 20, G8.8	
10	60027	8	Washer, M10-.375 flat,	
11	39419	4	Nut, M6-1.0, G8	
12	39603	2	Bracket, muffler	
13	34724	3	U-bolt, .375-16 x 5.0	
14	39598	4	Plate, muffler support	
15	39345	4	Washer, .312 flat	
16	38382	4	Washer, M8-.312 lock	
17	39597	4	Screw, M8-1.25 x 30, G8.8	
18	39594	1	Cap, rain - 5.0	
19	34799	1	Pipe, exhaust extension	
20	34800	1	Pipe, 5.0 exhaust, w/flange	
21	36668	2	Clamp, V-band	
22	34790	1	Weldment, catalyst, flanged	
23	39345	8	Washer, .312 flat	
24	39599	4	Nut, M8-125 hex lock	
25	39595	2	Bracket, heat shield	
26	39600	4	Clamp, exhaust 11.0	
27	39361	4	Screw, M8-1.25 x 45, G8.8	
28	39601	1	Shield, heat, catalyst	
29	39512	4	Screw, M10-1.50 x 20	
30	60026	4	Washer, M10 split lock	
31	60087	2	Screw, M6-1.0 x 16 flg hex	
32	34796	1	Pipe, exhaust sleeve, w/flange	
33	34548	1	Sensor, oxygen	
--	53475	1	Sleeve, UL .875 ID	
--	34730	1	Blanket, exhaust	

COOLING SYSTEM ASSEMBLY

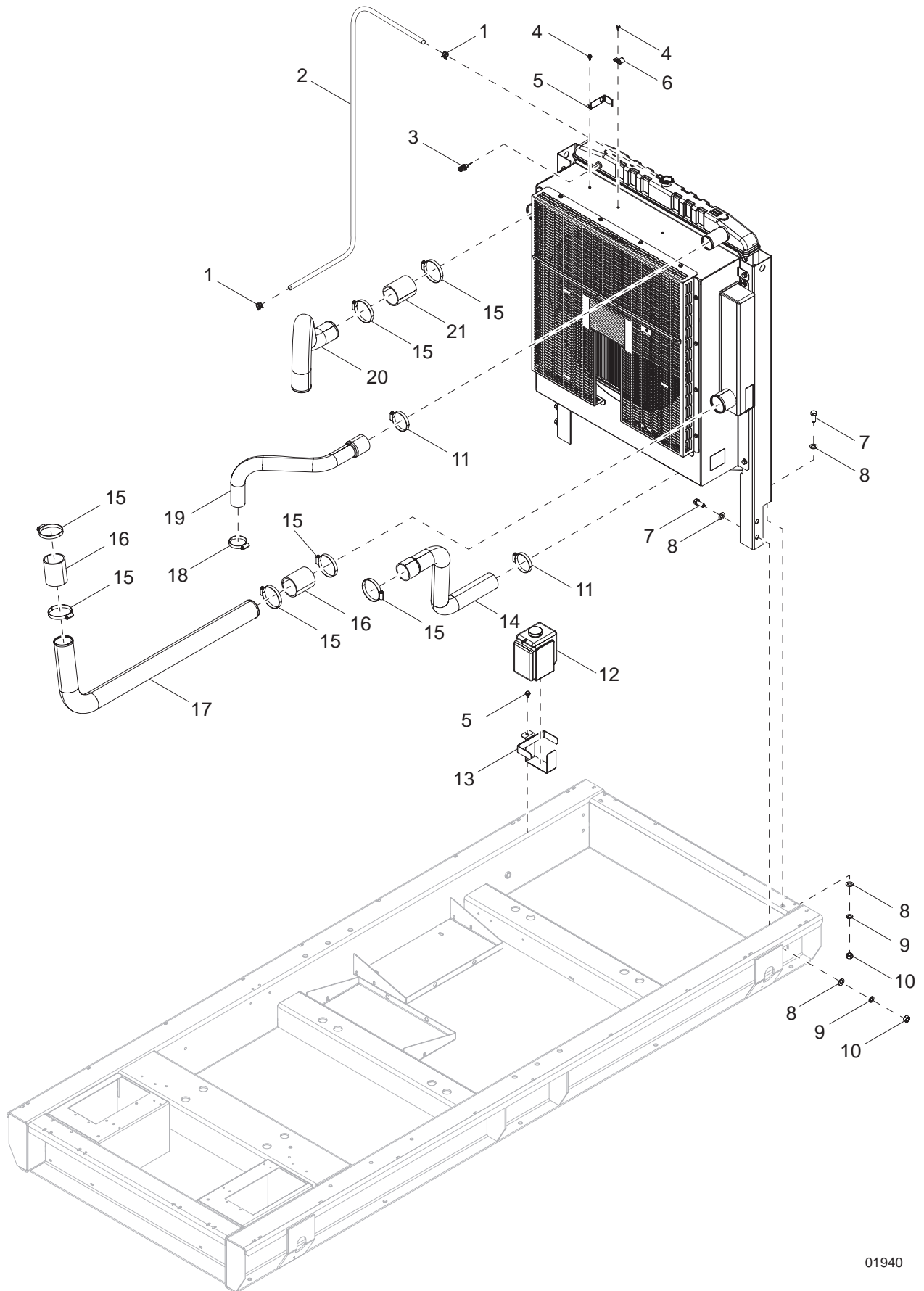


01939

COOLING SYSTEM ASSEMBLY

Item	Part No.	Qty	Description	Notes
1	39529	1	Support, radiator - left	
2	34630	1	Radiator, right hand in/out	
3	34962	1	Cap, radiator - 20 PSI	
4	34782B	1	Guard, radiator screen	
5	60027	16	Washer, M10-.375 flat	
6	60346	16	Washer, M10 split lock	
7	39344	16	Screw, M10-1.50 x 25, G8.8	
8	39533	1	Support, radiator - right	
9	34628	1	Assembly, CAC, .250 in. alum manifold	
10	36435	2	Foam, strip 1.0 x 1.0 x 90.0	
11	31783B	1	Shroud, fan	
12	63231	35	Insert, threaded .250-20 hex, .027-.165 grip	
13	36425B	1	Guard, fan - right	
14	34542	33	Washer, .250 flat acetel	
15	60175	36	Screw, .250-20 x .500 sflg hex, G5	
16	39530	1	Support, fan guard	
17	39426B	1	Guard, belt - top	
18	36428B	1	Guard, belt - right	
19	36427B	1	Guard, belt - bottom	
20	36430B	1	Guard, belt - right bottom	
21	36429B	1	Guard, belt - right top	
22	34521B	1	Bracket, fan guard brace	
23	36424B	1	Guard, fan - left	
24	60161	3	Nut, .250-20 sflg, G5	

COOLING SYSTEM HOSES

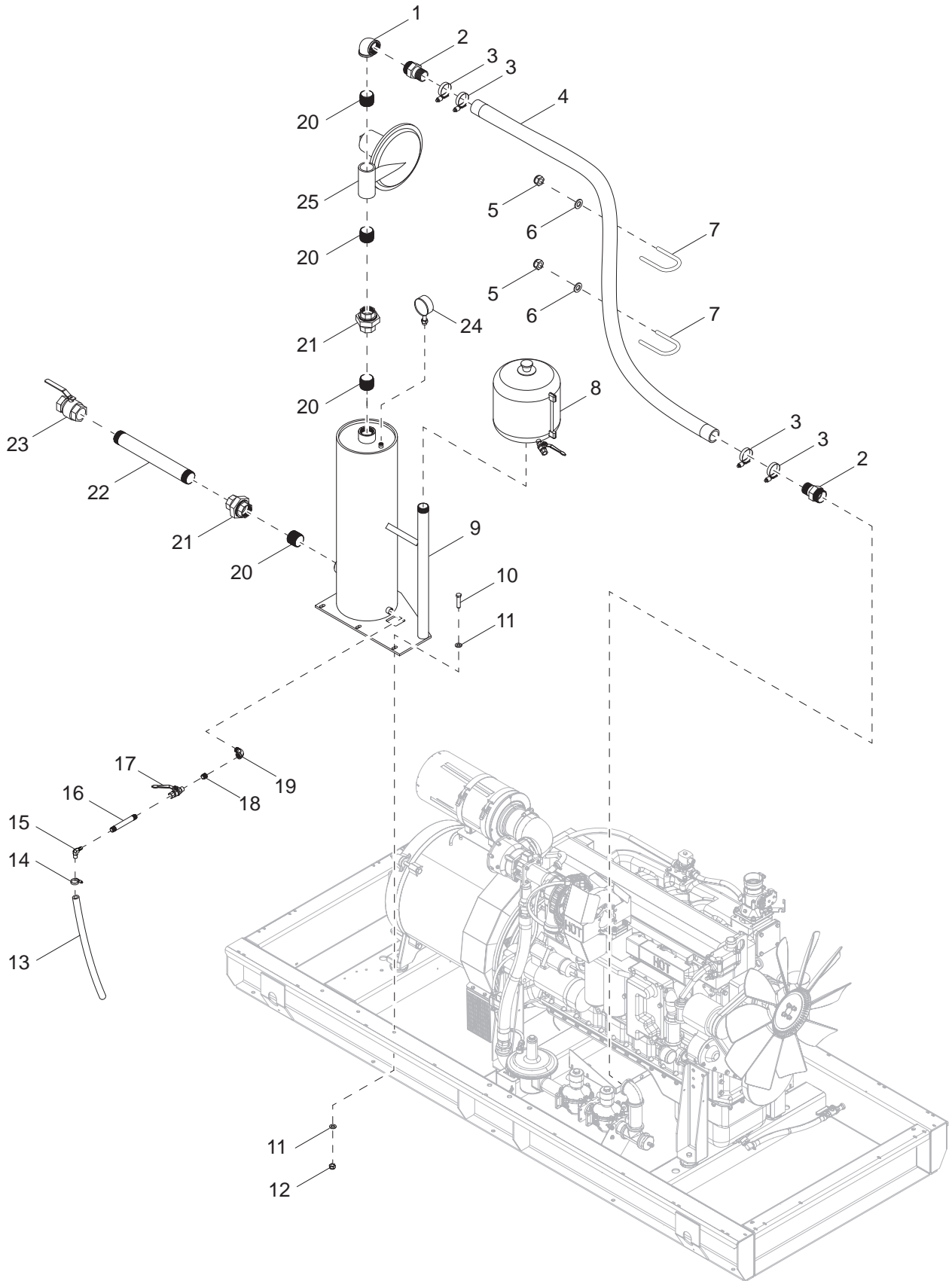


01940

COOLING SYSTEM HOSES

Item	Part No.	Qty	Description	Notes
1	34955	2	Clamp, hose band .500 in	
2	34961	1	Hose, .281 ID	
3	35176	1	Sensor, coolant level .325-18NPTF	
4	60087	2	Screw, M6-1 x 16 sflg hex	
5	35863	1	Bracket, signal conditioner	
6	53293	1	Clamp, .62 x .406	
7	63111	6	Screw, .70-10 x 2.250 flg hex, G8	
8	60527	12	Washer, .750 flat - 1.50/.125	
9	60248	6	Washer, .750 split lock	
10	60249	6	Nut, .750-10 hex, G8	
11	53352	2	Clamp, hi torque 2.250 - 3.125	
12	37763	1	Tank, coolant recovery	
13	34958	1	Bracket, water bottle	
14	34953	1	Hose, radiator - lower	
15	37300	7	Clamp, hi torque 2.750 - 3.625	
16	34956	2	Hose, .3.0 ID x 4.0 - hi-temp	
17	34959	1	Pipe, CAC in	
18	34952	1	Clamp, hi torque 1.750 - 2.625	
19	53300	1	Hose, radiator - upper	
20	34960	1	Pipe, CAC out	
21	34954	1	Hose, 3.0 ID x 4.0	
--	68631	1	Signal conditioner, yellow	With item 5

FUEL WATER SEPARATOR ASSEMBLY

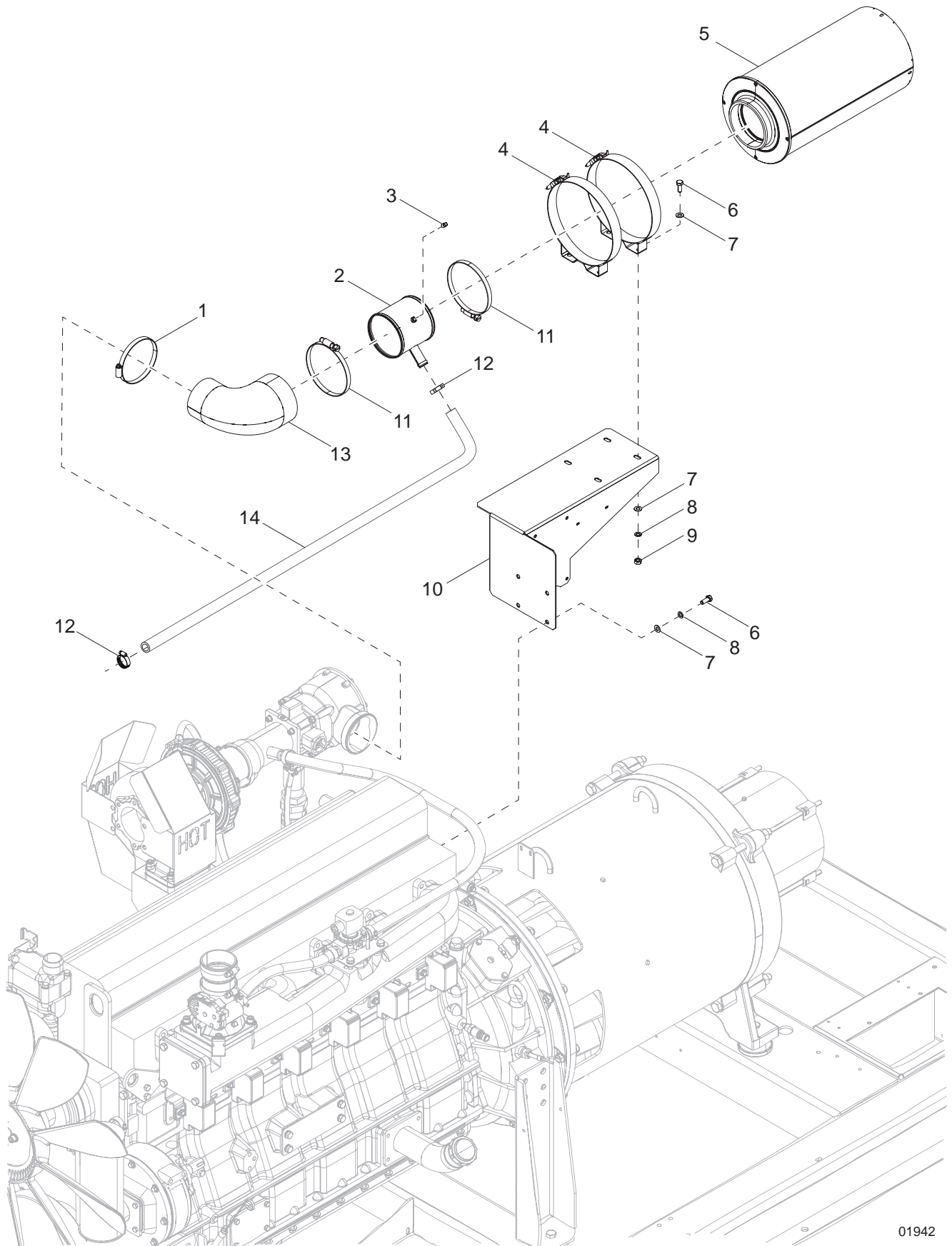


01941

FUEL WATER SEPARATOR ASSEMBLY

Item	Part No.	Qty	Description	Notes
1	31135	1	Fitting, 90° - 2.0NPT, black pipe	
2	31010	2	Fitting, strt - 2.0MNPT x 2.0 barb	
3	60666	4	Clamp, hose - constant torque 2.25 - 3.125	
4	31040	8.37 ft	Hose, fuel - 2.0 ID, 150 psi	
5	60303	4	Nut, .312-18 nylock, G2	
6	60119	4	Washer, .312 flat .875/.070	
7	60128	2	Clamp, muffler - 2.50 light duty	Use U-bolt only
8	26632	1	Tank, oil storage - 5 gal	
9	30900B	1	Tank, gas/water separator	
10	60388	4	Screw, .500-13 x 1.50 std hex, G5	
11	60309	8	Washer, .500 flat 1.060/.090	
12	60668	4	Nut, .500-13 nylock, G8	
13	50206	1.58 ft	Hose, fuel - .500 ID, 35 psi, SAE 30R7	
14	19453	1	Clamp, hose - SAE006 (.370-.870)	
15	31003	1	Fitting, 90° - .500FNPT x .500 barb, brass	
16	31149	1	Fitting, pipe nipple - .500NPT x 6.0, galv	
17	19279	1	Valve, ball - .500FNPT	
18	60438	1	Fitting, pipe nipple - .500NPT x close	
19	30999	1	Fitting 90° - .500MNPT x .500FNPT, galv	
20	30995	4	Fitting, pipe nipple - 2.0NPT x close, black pipe	
21	30996	2	Fitting, strt - 2.0NPT union, black pipe	
22	30997	1	Fitting, pipe nipple - 2.0NPT x 18.0, black pipe	
23	40229	1	Valve, ball - 2.0NPT female	
24	34757	1	Gauge, pressure, 0-60 psi - .250MNPT	
25	30929	1	Regulator, fuel B34R	

AIR FILTER ASSEMBLY

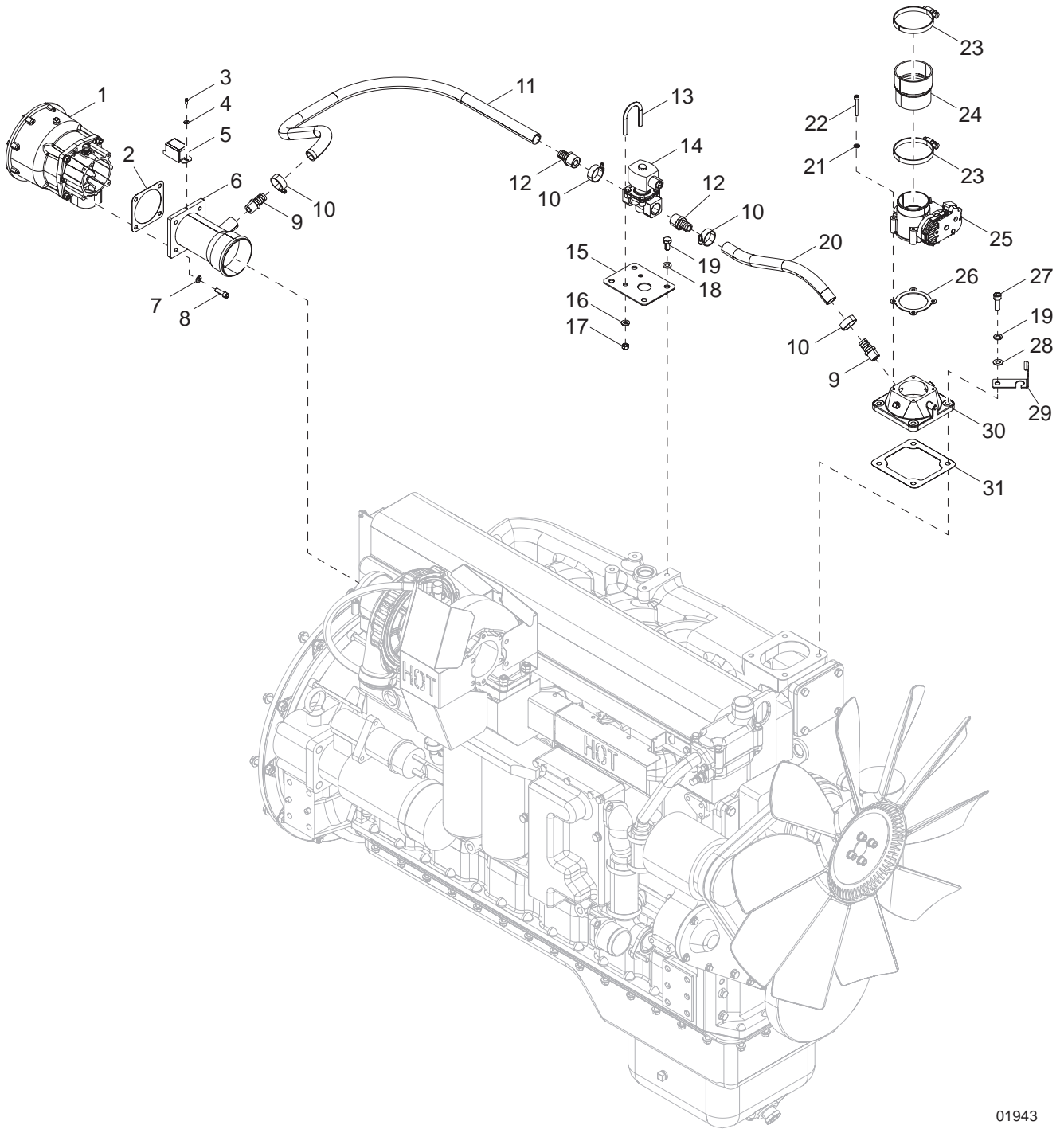


01942

AIR FILTER ASSEMBLY

Item	Part No.	Qty	Description	Notes
1	39546	1	Clamp, 4.25 - 5.125 hi torque	
2	39545	1	Tube, air intake w/beaded tube	
3	39547	1	Plug, .125 std pipe - square head	
4	39544	2	Clamp, 10.19 band	
5	34554	1	Filter, air ECO-SE	
6	39344	8	Screw, M10-1.5 x 25 hex, G8.8	
7	60027	12	Washer, M10 - .375 flat	
8	60026	8	Washer, M10 split lock	
9	60033	4	Nut, M10-1.5 hex, G8.8	
10	39543	1	Bracket, air cleaner	
11	20182	2	Clamp, hose SAE088 (5.12 - 6.0)	
12	19338	2	Clamp, hose #16 (.875 - 1.50)	
13	39542	1	Adapter, 90° elbow, 5.0 - 4.0	
14	39513	3.5 ft	Hose, 1.0 ID low pressure	

FUEL SYSTEM ASSEMBLY - 1 OF 2

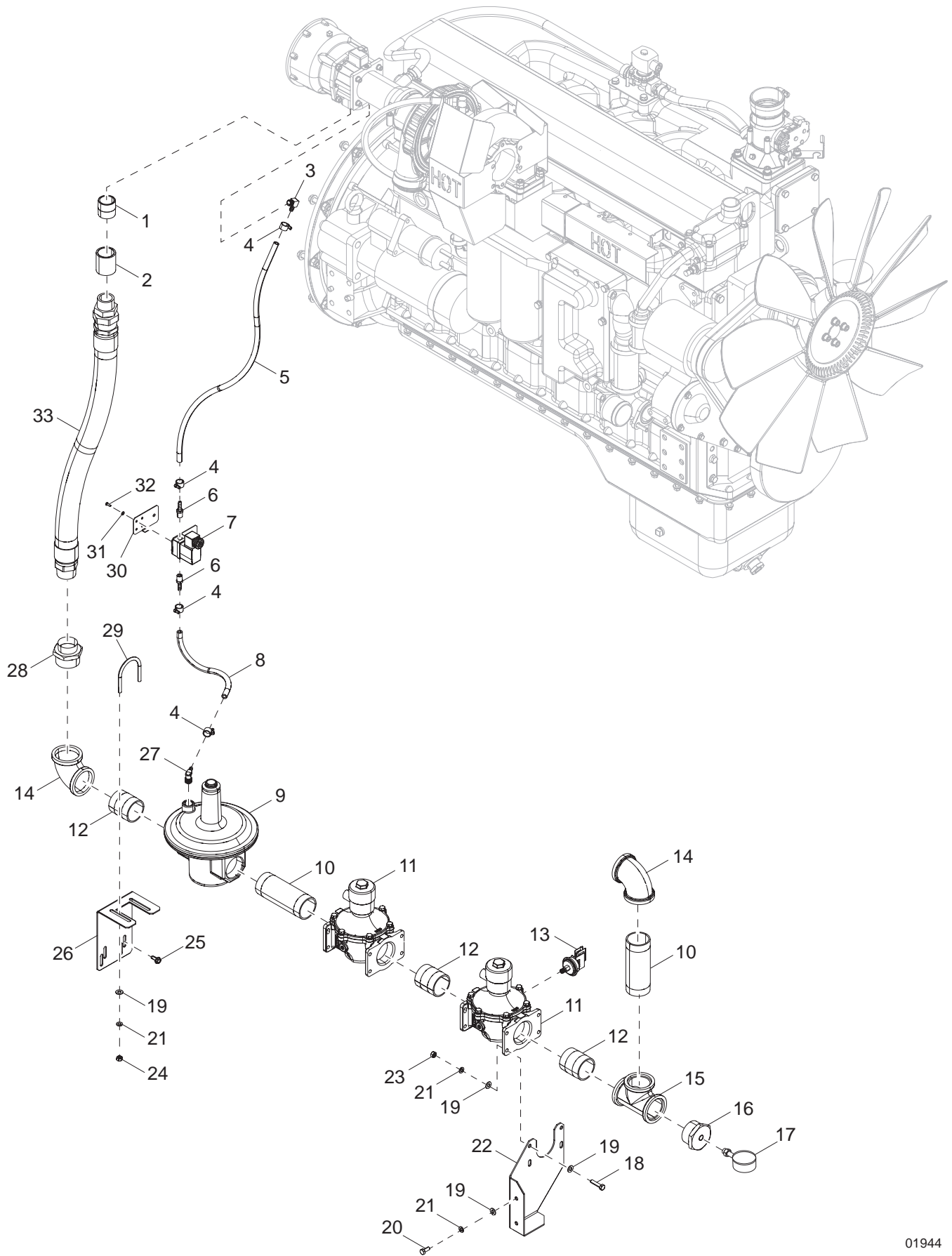


01943

FUEL SYSTEM ASSEMBLY - 1 OF 2

Item	Part No.	Qty	Description	Notes
1	34933	1	Mixer, fuel - 400V side draft	
2	39581	1	Gasket, carburetor mixer	
3	39568	1	Screw, tamper-proof	
4	60269	1	Washer, #8 flat .433/.036	
5	39585	1	Cover, tamper-proof - 400VF mixer	
6	39572	1	Pipe, turbo adapter	
7	38382	4	Washer, M8-.312 lock	
8	39583	4	Screw, .312-18 x 1 socket head cap, G8.8	
9	39571	2	Fitting, strt - .500NPT x .750 barb	
10	39561	4	Clamp, hose - #12 (.500-1.25)	
11	39570	2.5 ft	Hose, fuel .750 ID	
12	39582	2	Fitting, strt - .750NPT x .750 barb, SS	
13	37333	1	U-bolt, .312-18 x 1.50	
14	37303	1	Solenoid, fuel - 24V DC	
15	39569	1	Bracket, quick start solenoid	
16	39345	2	Washer, .312 flat	
17	39502	2	Nut, .312-18 hex	
18	60026	8	Washer, M10 split lock	
19	39512	4	Screw, M10-1.50 x 20 hex cap, G8.8	
20	39570	1.1 ft	Hose, fuel .750 ID	
21	38522	4	Washer, M6-.250 split lock	
22	39418	4	Screw, M6-1.0 x 45, G12.9	
23	19336	2	Clamp, hose - SAE44 (2.312-3.250)	
24	34935	1	Reducer, 3.0 - 2.750	
25	35228	1	Actuator, Bosch 60 - governor	
26	34736	1	Gasket, governor actuator	
27	39556	4	Screw, M10-1.5 x30, G12.9	
28	60027	4	Washer, M10-.375 flat	
29	38767	1	Bracket, signal conditioner	
30	34944	1	Adapter, Bosch	
31	34940	1	Gasket, intake adapter	

FUEL SYSTEM ASSEMBLY - 2 OF 2

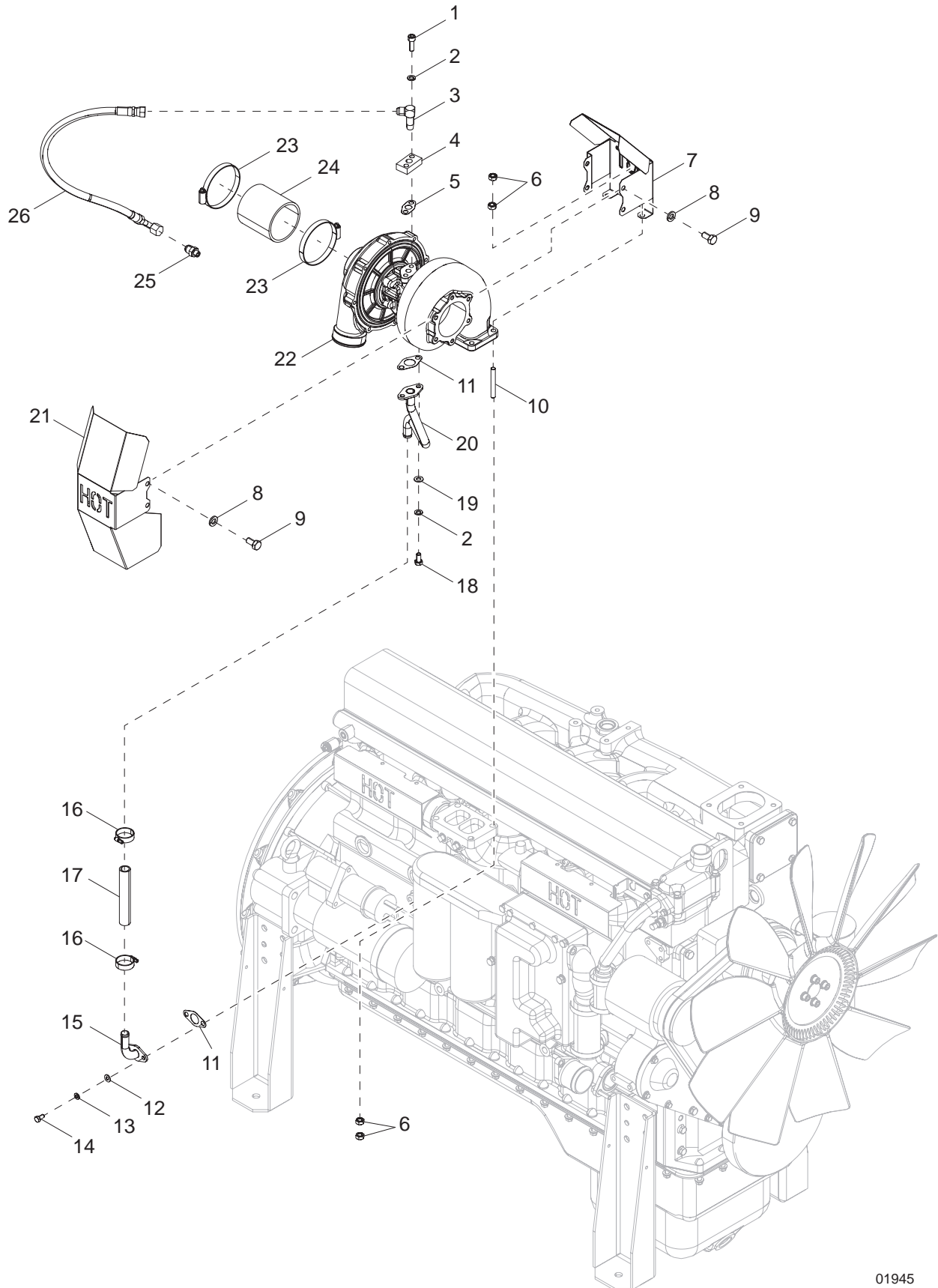


01944

FUEL SYSTEM ASSEMBLY - 2 OF 2

Item	Part No.	Qty	Description	Notes
1	53309	1	Fitting, pipe nipple 1.250NPT x 1.625 - close	
2	53310	1	Coupling, 1.250-1.50 - full	
3	37350	1	Fitting, 90° - .312 x .250NPT barb	
4	39565	4	Clamp, hose - SAE 5.5 (.62-.62)	
5	34941	3.35 ft	Hose, heater - .312 ID	
6	15142	2	Fitting, strt - .250NPT x .312 barb	
7	34739	1	Solenoid, fuel 24V	
8	53312	2.66 ft	Hose, heater - .312 ID	
9	53314	1	Regulator, fuel - 2.0NPT	
10	39589	2	Fitting, pipe nipple - 2.0NPT x 6.0, black iron	
11	53315	2	Solenoid, 24V	
12	39579	3	Fitting, pipe nipple - 2.0NPT x 2.50	
13	34733	1	Switch, gas pressure - 9.0 in. rise	
14	34942	2	Fitting, 90° elbow - 2.0NPT	
15	34939	1	Fitting, T - 2.0NPT	
16	34738	1	Fitting, reducer - 2.0 x .250, hex, galv	
17	34756	1	Gauge, pressure, 0-15 in. WCL - .250MNPT	
18	39591	4	Screw, M8-1.25 x 35, G8.8	
19	39345	14	Washer, .312 flat	
20	39566	2	Screw, .312-18 x .750 hex cap, G5	
21	38382	13	Washer, M8-.312 split lock	
22	39563	1	Support, regulator - 2.0 in. heavy duty	
23	37262	4	Nut, M8-1.25 hex, G8	
24	39502	2	Nut, .312-18 hex	
25	39427	2	Screw, .312-18 x .750 flg hex	
26	39575	1	Bracket, fuel regulator	
27	34936	1	Fitting, 90° - .375NPT x .312 barb	
28	39564	1	Fitting, bushing reducer - 2.0 - 1.50, hex	
29	39573	1	U-bolt, .312-18 x 2.375	
30	39574	1	Bracket, fuel solenoid	
31	39383	4	Washer, M4 flat	
32	39576	4	Screw, M4-.70 x 12 pan phil	
33	34732	1	Assembly, natural gas fuel hose	
--	39587	1	Plug, pressure gauge - .250NPT	

TURBOCHARGER ASSEMBLY

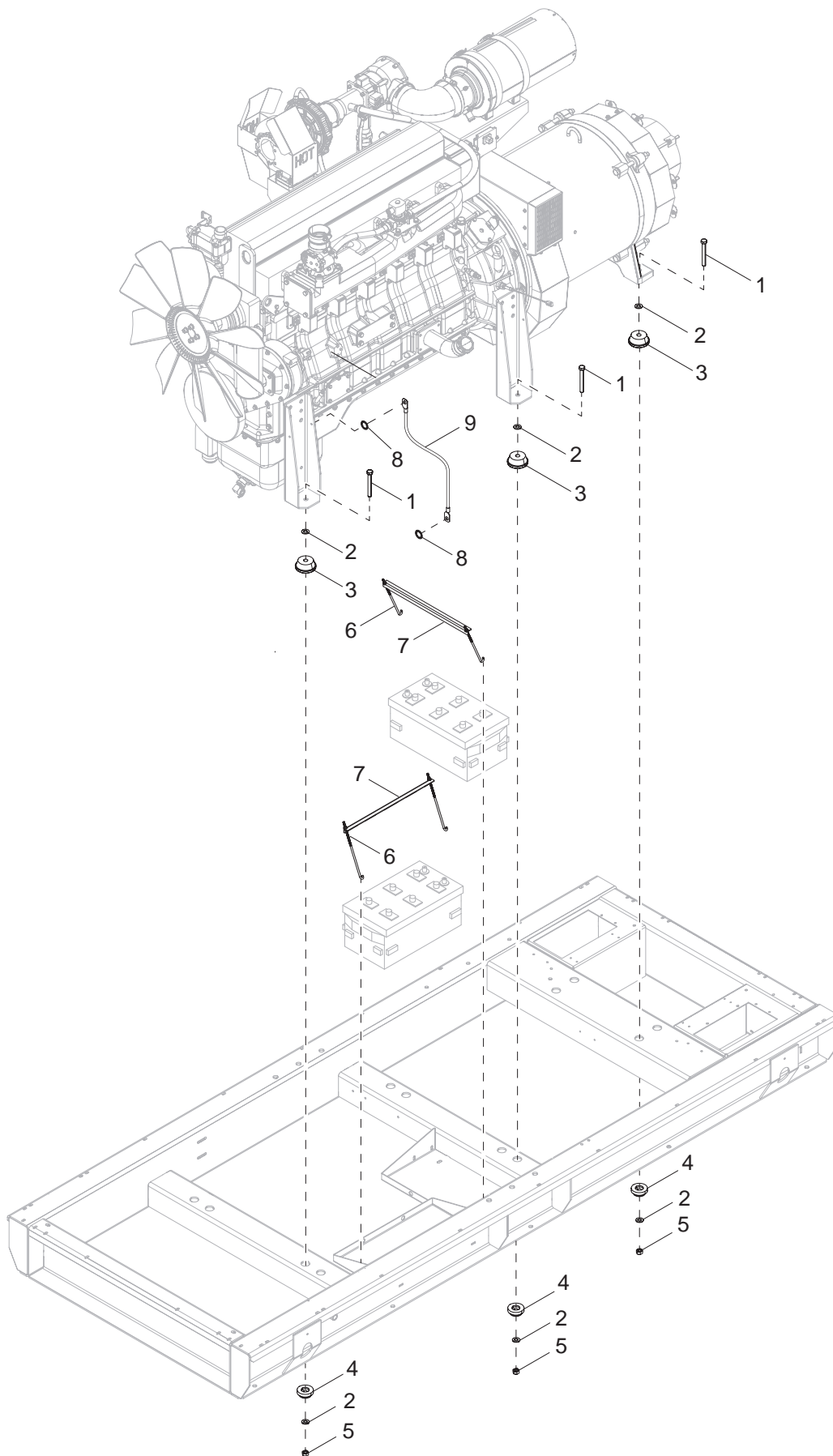


01945

TURBOCHARGER ASSEMBLY

Item	Part No.	Qty	Description	Notes
1	39556	2	Screw, M10-1.5 x 30 socket hex, G12.9	
2	60026	2	Washer, M10 split lock	
3	53362	1	Fitting, 90° JIC-NPT	
4	53363	1	Adapter, oil inlet flange,	
5	39550	1	Gasket, oil inlet flange	
6	53364	16	Nut, M10-1.5 hex, SS	
7	53365	1	Shield, heat - turbo rear	
8	53366	8	Washer, M10 split lock, SS	
9	39560	8	Screw, M10-1.50 x 25 hex, SS	
10	53367	4	Stud, M10-1.50 x 80, SS	
11	53368	2	Gasket, oil outlet flange	
12	39345	2	Washer, .312 flat	
13	38382	2	Washer, .312 split lock	
14	39406	2	Screw, M8-1.25 x 16 hex, G8.8	
15	39554	1	Tube, oil return	
16	37246	2	Clamp, hose #16 (.87-1.50)	
17	53369	1	Hose, .750 ID - 100R6	
18	39512	2	Screw, M10-1.5 x 20 hex, G8.8	
19	53324	2	Washer, .562 flat	
20	39555	1	Tube, turbo oil return	
21	39558	1	Shield, heat - turbo front	
22	39552	1	Turbocharger, 200kW	
23	53370	2	Clamp, hi torque 3.35 - 4.125	
24	39557	1	Hose, 3.50 ID x 4.0	
25	39553	1	Fitting, adapter - male JIC x male BSPP	
26	53371	1	Hose, turbo oil inlet	

ENGINE AND GENERATOR TO UNIT

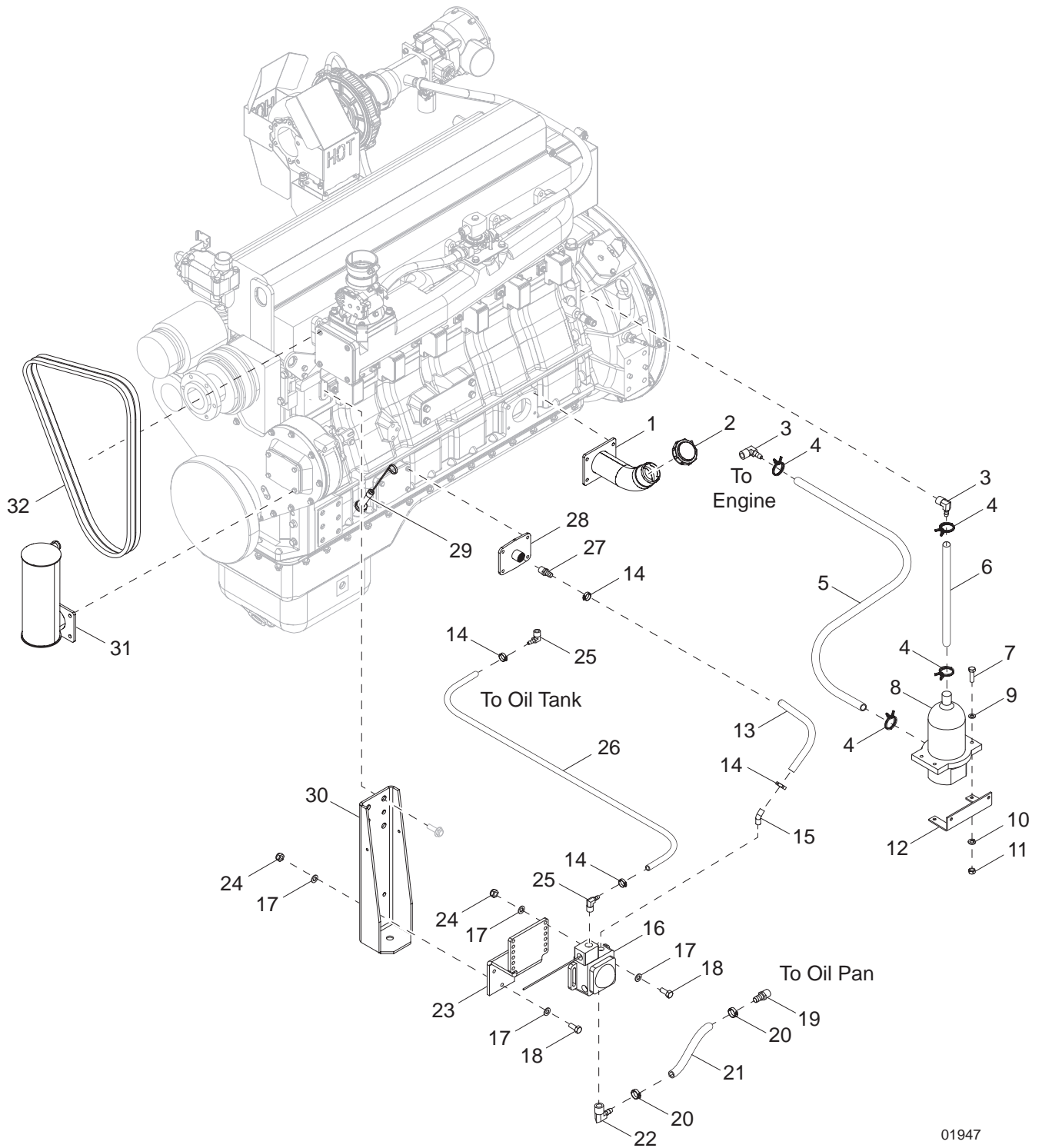


01946

ENGINE AND GENERATOR TO UNIT

Item	Part No.	Qty	Description	Notes
1	53323	6	Screw, M14-2.0 x 110, G8.8	
2	53324	12	Washer, .562 flat	
3	34904	6	Mount, vibro - upper	
4	34903	6	Mount, vibro - lower	
5	53327	6	Nut, M14-2.0 nylock	
6	38920	4	J-bolt, .250-20 x 12.0, long	
7	38919	2	Bracket, battery tie down	
8	35910	2	Washer, .375 lock special	
9	53329	1	Cable, ground	

ENGINE ASSEMBLY - LEFT SIDE

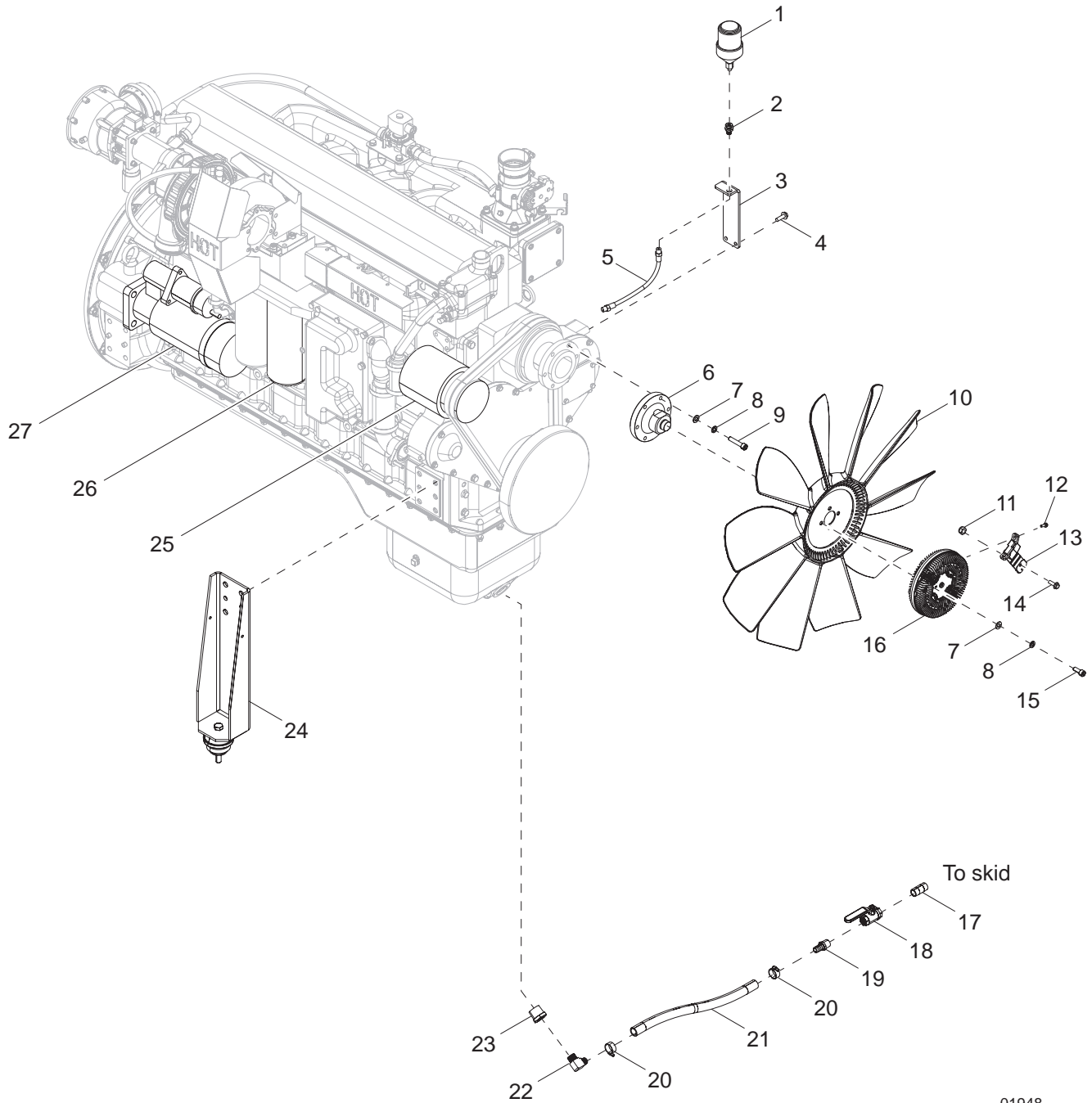


01947

ENGINE ASSEMBLY - LEFT SIDE

Item	Part No.	Qty	Description	Notes
1	39510	1	Pipe, oil fill	Reuse hardware
2	34907	1	Cap, oil	
3	53331	2	Fitting, 90° - .375NPT x .625 barb	
4	34905	4	Clamp, hose .875 double wire	
5	35380	6.83 ft	Hose, .625 ID, SAE 20R3	
6	35380	2.1 ft	Hose, .625 ID, SAE 20R3	
7	37341	2	Screw, M6-1.0 x 20 hex cap, G8.8	
8	34626	1	Heater, coolant - 240V	
9	37388	2	Washer, M6-.250 flat	
10	53337	2	Washer, M6-.250 split lock	
11	39419	2	Nut, M6-1 hex, G8	
12	53477	1	Bracket, coolant heater	
13	50206	1 ft	Hose, fuel - .500 ID, 35 psi, SAE 30R7	
14	19453	4	Clamp, hose - SAE 006 (.37-.87)	
15	34841	1	Fitting, 45° - .375MNPT x .500 barb, brass	
16	34866	1	Assembly, oil level controller	
17	60386	14	Washer, .375 flat .933/.064	
18	60139	7	Screw, .375-16 x 1.50 std hex, G5	
19	60437	1	Fitting, strt - .500NPT x .750 barb	
20	19338	2	Clamp, hose - SAE016 (.68-1.50)	
21	50332	1.08 ft	Hose, fuel .750 ID, 35 psi, SAE 30R7	
22	27673	1	Fitting, 90° - .750MNPT x .750 barb, brass	
23	34556B	1	Bracket, oil controller mount	
24	60358	7	Nut, .375-16 nylock, G5	
25	61223	2	Fitting, 90° - .500MNPT x .500 barb, brass	
26	50206	7.66 ft	Hose, fuel .500 ID, 35 psi, SAE 30R7	
27	40728	1	Fitting, strt - .500MNPT x .500 barb	
28	31830B	1	Weldment, vent, oil recovery	Reuse hardware
29	34969	1	Dipstick, oil	
30	39514	2	Mount, engine	Reuse hardware
31	34948	1	Separator, oil	
32	34619	1	Belt, fan	
--	34769	1	O-ring, 18MM ID, 2.5MM wide	Replace on dipstick
--	31780	1	Harness, engine	

ENGINE ASSEMBLY - RIGHT SIDE

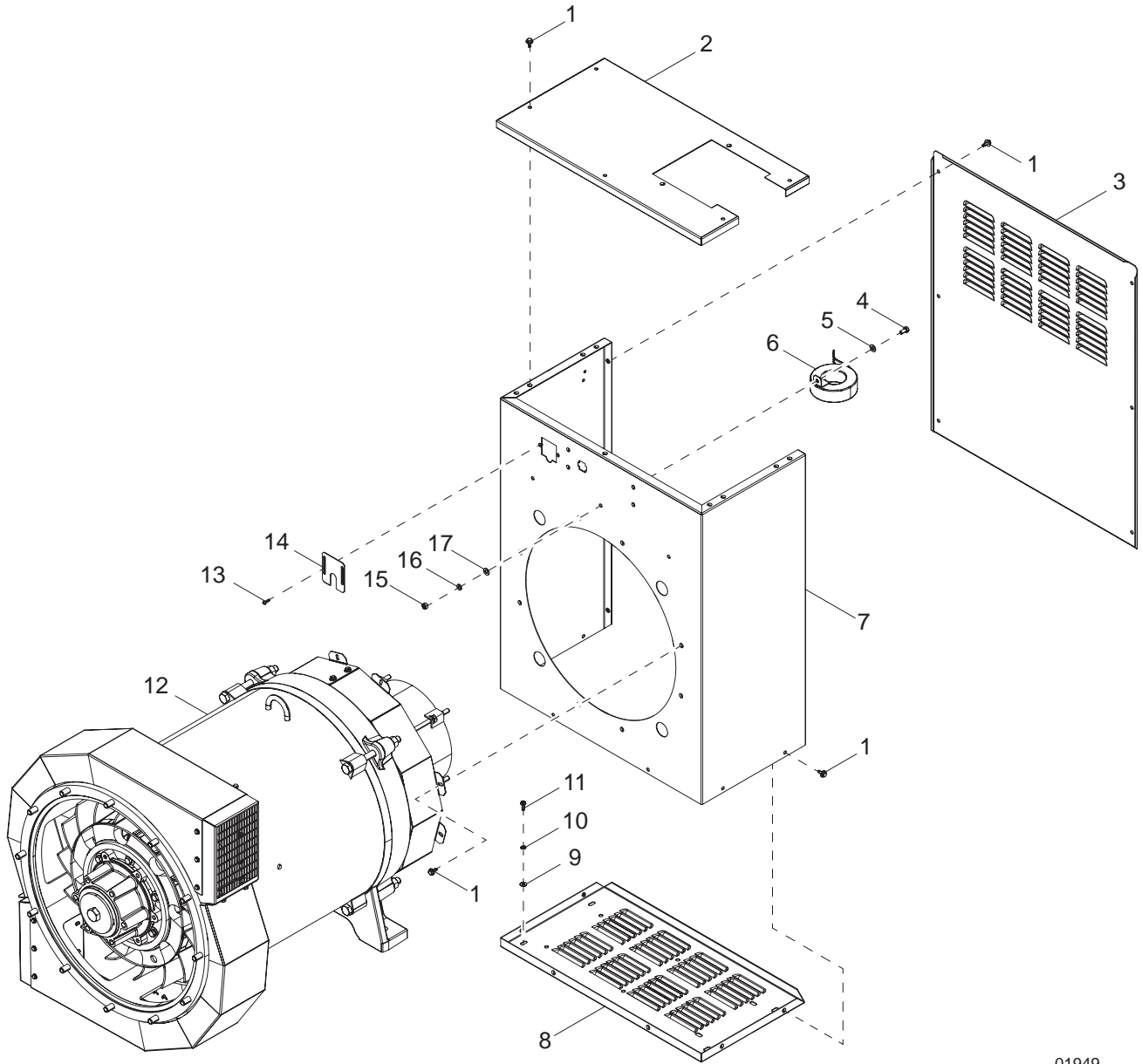


01948

ENGINE ASSEMBLY - RIGHT SIDE

Item	Part No.	Qty	Description	Notes
1	37863	1	Dispenser, grease	MGG200G only
2	37866	1	Fitting, .125NPT coupler - thru wall	MGG200G only
3	37864B	1	Bracket, grease dispenser	MGG200G only
4	60451	2	Screw, .375-16 x .625 flg hex	MGG200G only
5	37865	1	Hose, .125NPT, grease gun	MGG200G only
	38288	1	Assembly, fan grease	Items 1 - 5
6	30923	1	Hub, fan clutch mount	
7	60027	10	Washer, M10-.375 flat	
8	60346	10	Washer, M10 split lock	
9	36183	6	Screw, M10 - 1.50 x 50, G12.9	
10	30461	1	Fan, 31.0 in	
11	62079	1	Nut, .312-18 nylock, jam	
12	62259	2	Screw, M10-1.50 x 30 sflg hex, G10.9	
13	31157B	1	Bracket, clutch fan stabilizing	
14	61091	1	Screw, .312-18 x 1.0 sflg hex, G5	
15	36182	4	Screw, M10-1.50 x 25, G12.9	
16	31150	1	Clutch, fan	
17	53342	1	Fitting, pipe nipple - .500NPT x 1.75	
18	34899	1	Valve, ball - .500NPT	
19	53344	1	Fitting, str - .500NPT x .612 barb	
20	34902	2	Clamp, hose #8 (.53-1.0)	
21	53346	1	Hose, .612 ID	
22	34900	1	Fitting, 90°elbow - .612 x .500NPT	
23	53348	1	Fitting, bushing reducer - 1.0 - .500, brass	
24	39514	2	Mount, engine	Reuse hardware
25	34546	1	Alternator	
26	34553	1	Filter, oil	
27	34545	1	Starter	

GENERATOR ASSEMBLY

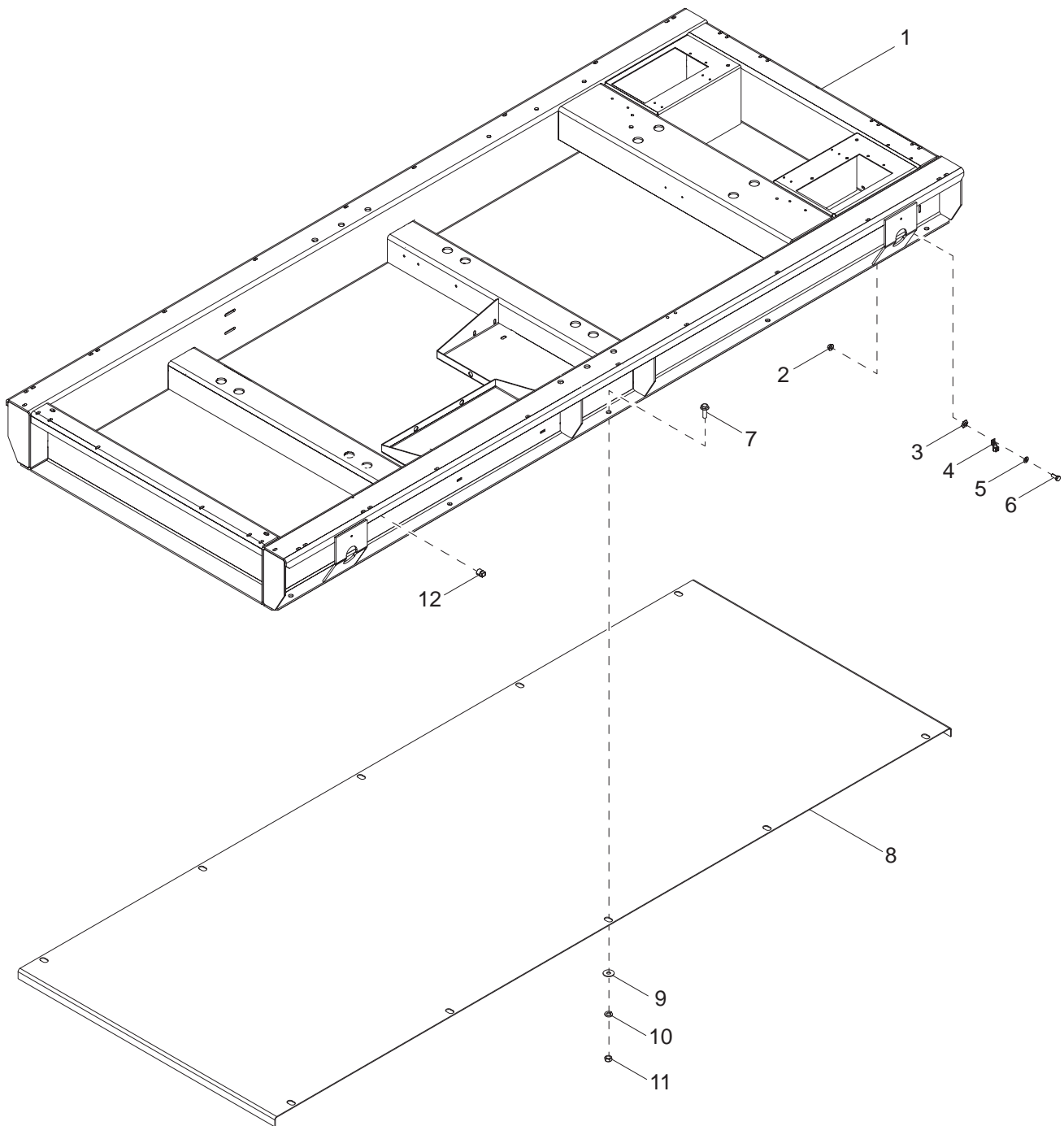


01949

GENERATOR ASSEMBLY

Item	Part No.	Qty	Description	Notes
1	60024	25	Screw, M6-1.0 x 25 sflg hex	
2	39385	1	Top, alternator tower - LH module	
3	39389	1	Cover, alternator tower	
4	39406	3	Screw, M8-1.25 x 16, G8.8	
5	39345	3	Washer, .312 flat	
6	39390	3	Transformer, current - 50A w/bracket	
7	39384	1	Main, alternator tower	
8	39405	1	Bottom, alternator tower	
9	39358	4	Washer, M6-.250 flat	
10	38522	4	Washer, M6-.250 split lock	
11	39404	4	Screw, .250-20 x .750 hex	
12	34887	1	Generator, Generac 520	
13	39403	2	Screw, M5-0.8 x 16 Torx head	
14	39402	1	Plate, wire harness blockoff	
15	53320	4	Nut, M8-1.25 hex, G8	
16	38382	4	Washer, M8-.312 split lock	
17	39345	4	Washer, .312 flat	
--	53478	1	Assembly, generator tower	

SKID ASSEMBLY

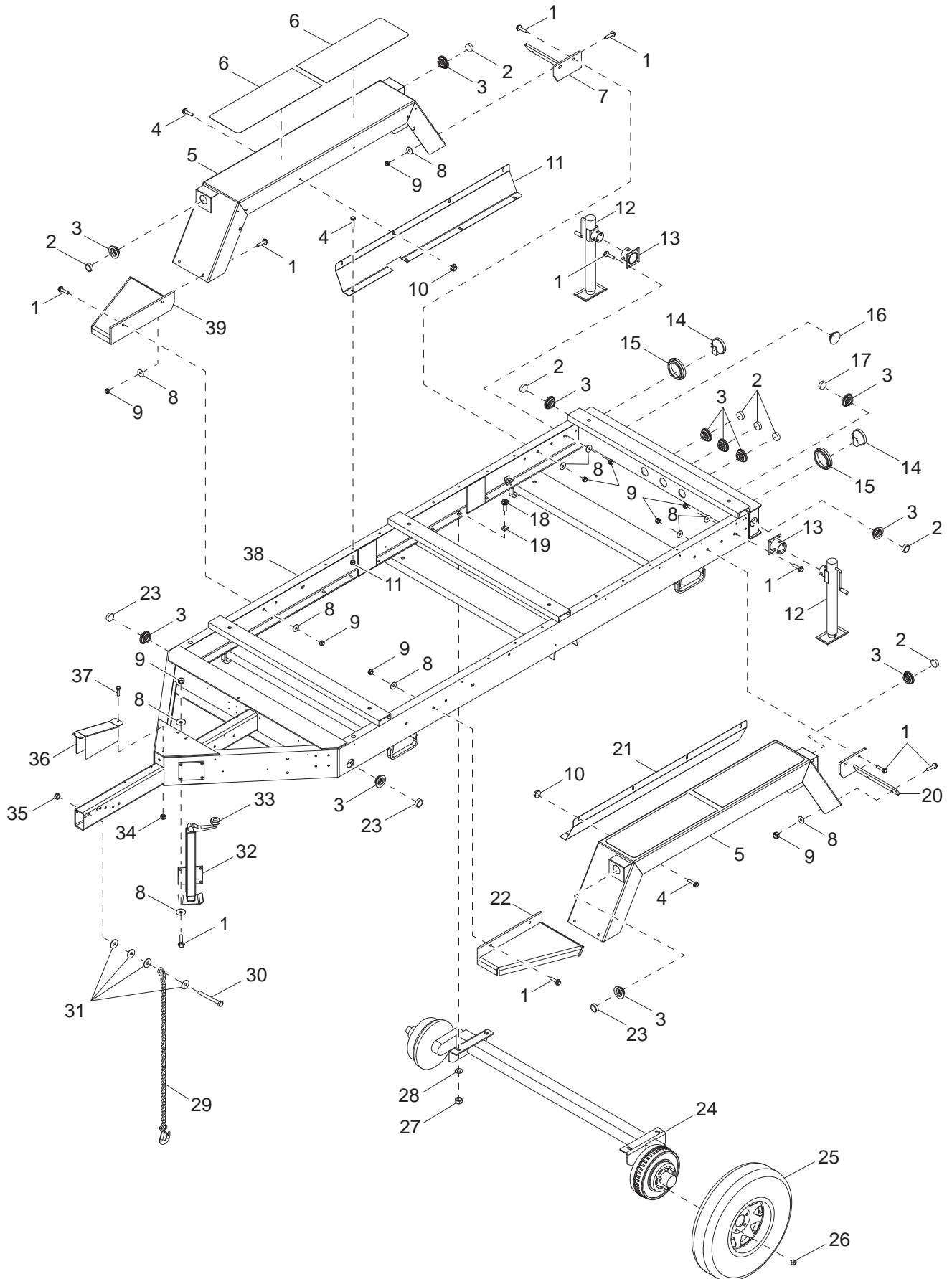


01950

SKID ASSEMBLY

Item	Part No.	Qty	Description	Notes
1	39485	1	Weldment, skid	
2	60033	1	Nut, M10-1.5 sflg hex, G8.8	
3	39424	1	Washer, .375 special lock	
4	39423	1	Lug, 3/0 - #4 x .406	
5	60027	1	Washer, M10-.375 flat	
6	39344	1	Screw, M10-1.5 x 25 hex, G8.8	
7	60994	6	Screw, .625-11 x 1.50 flg hex, G8	
8	30864B	1	Pan, drip	
9	60521	6	Washer, .625 flat, - 1.743/.108	
10	61023	6	Washer, .625 split lock	
11	60520	6	Nut, .625-11 hex, G8	
12	39491	1	Fitting, plug - .500 square head	

TRAILER ASSEMBLY

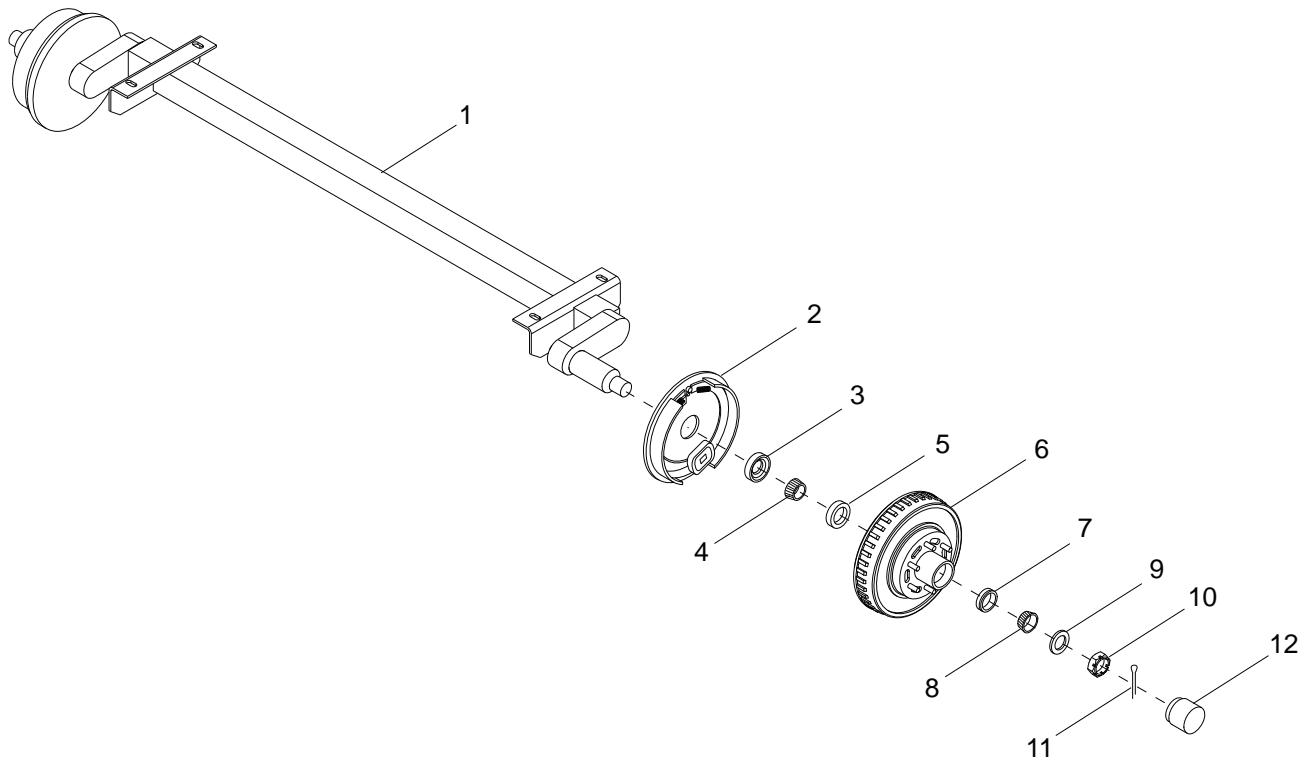


01951

TRAILER ASSEMBLY

Item	Part No.	Qty	Description	Notes
1	61103	20	Screw, .500-13 x 1.75 sflg hex	
2	66397	7	Light, clearance 2.00 in. - red	
3	66394	12	Grommet, sealed beam light - rubber 2.00 in	
4	61091	16	Screw, .312-18 x 1.0 sflg hex, G5	
5	27657B	2	Weldment, fender	
6	22398	4	Pad, slip resistant 10.0 x 28.0	
7	26877B	1	Weldment, rear step - right	
8	60416	24	Washer, .500 flat 1.375/.090	
9	62221	20	Nut, .500-13 nylock, G5	
10	60095	16	Nut, .312-18 sflg hex	
11	34831B	1	Fender shield, right	
12	41133	2	Jack, side wind - 2000 lb, tube mounted	
13	11965Z	2	Weldment, jack adapter	
14	10220	2	Light, rear tail/turn - round 4.0 in	
15	10221	2	Grommet, rear light - rubber 4.50 in	
16	62161	1	Plug, hole - 2.25 diameter	
17	66395	1	Light, utility 2.0 in. - clear	
18	61078	8	Screw, .625-11 x 2.0 flg hex, G8	
19	60651	8	Washer, square bevel structural .625, galv	
20	26876B	1	Weldment, rear step - left	
21	34830B	1	Fender shield, left	
22	22359B	1	Weldment, front step - left	
23	66396	4	Light, clearance 2.0 in. - amber	
24	<i>Page 74</i>	2	Assembly, axle 6000 lb Torflex, hydraulic	
25	20374	4	Wheel, ST225/90D16 - 3100 lb, load F	
26	60096	24	Nut, .500-20 lug, G5	
27	60240	8	Nut, .625-11 nylock, G5	
28	60180	8	Washer, .625 flat 1.750/.10-.16	
29	20159	2	Chain, trailer safety - hi test .375	
30	61099	2	Screw, .500-13 x 5.0 std hex, G8	
31	61096	8	Washer, .500 flat 1.375/.110	
32	22317B	1	Weldment, jack	
33	22892	1	Jack, top wind - 5000 lb	
34	60144	1	Nut, .250-20 nylock, G5	
35	60668	2	Nut, .500-13 nylock, G8	
36	22302B	1	Cover, brake guard	
37	60684	1	Screw, .250-20 x .875 std hex, SS	
38	30856B	1	Weldment, trailer frame	
39	22360B	1	Weldment, front step - right	
--	27671	1	Harness, trailer - sealed beam	
--	16143	4	Clamp, tubing .500	
--	60237	11	Washer, #10 flat .495/.036 SAE	
--	61010	4	Clamp, tubing - .375 heavy duty	
--	61155	11	Rivet, .188 dia x .438-.750 grip range	
--	10226	12	Plug, 2 wire, license light w/6 in. leads	
--	29653	8	Grommet, rubber - .563 ID x .125 thk x .813 ID hole	

AXLE ASSEMBLY



00259

AXLE ASSEMBLY

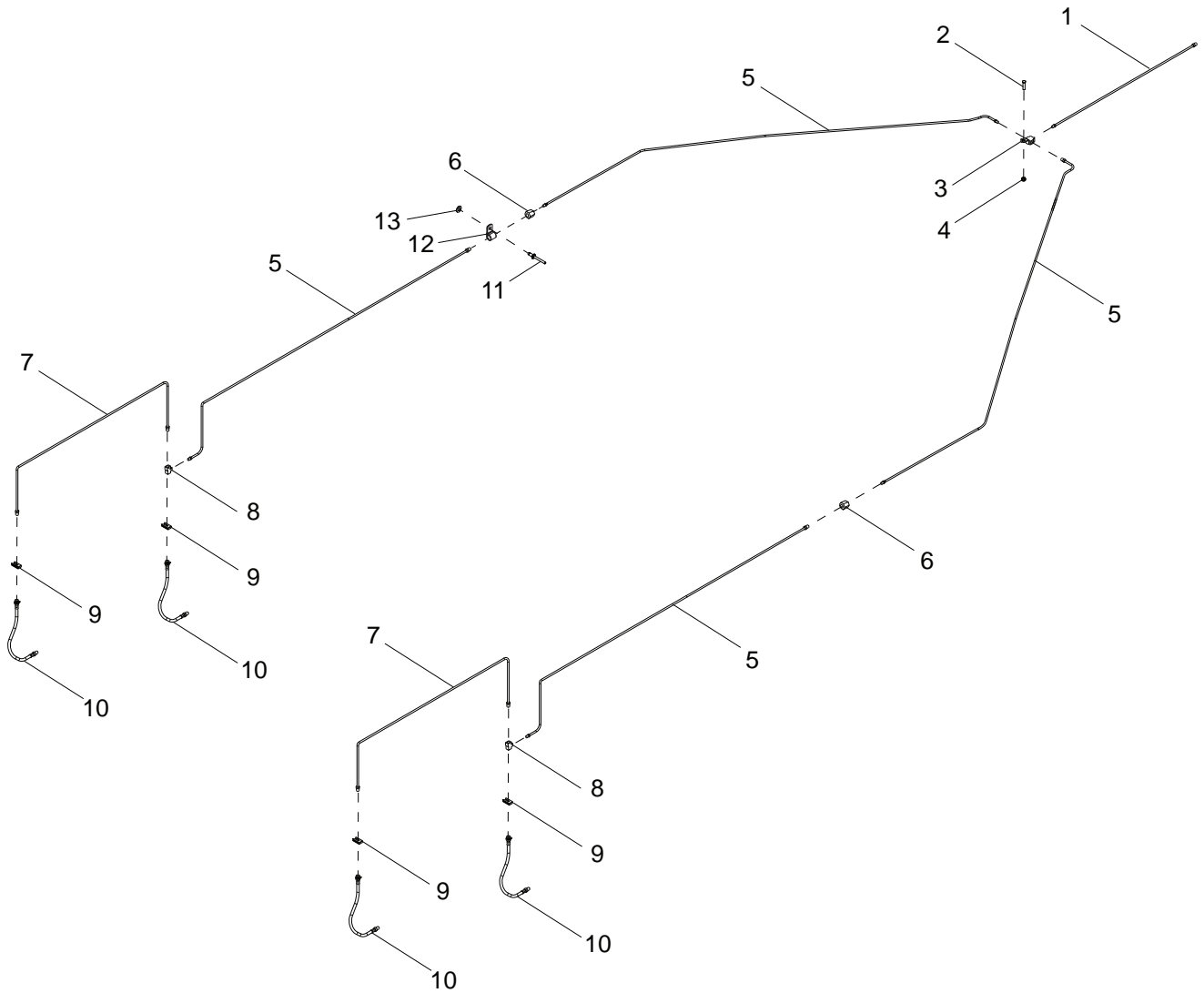
Item	Part No.	Qty	Description	Notes
1	22145	2	Axle, 6000 lb. - 57 in. frame	Hydraulic brake
2	26571	1	Surge free-backing brake - left	
--	26572	1	Surge free-backing brake - right	
3	26575	2	Inner grease seal 2.125 in	
4	26576	2	Inner hub bearing	
5	26577	2	Inner bearing cup	
6	22387	2	Drum, large trailer brake	6000 lb axle
7	26584	2	Outer bear cup	
8	26585	2	Outer hub bearing	
9	26581	2	Spindle washer	
10	12308	2	Spindle nut	
11	26583	2	Spindle nut - cotter pin	
12	26586	2	Dust cap	

OPTIONAL FEATURES

Electric Brake:

--	22146	1	Axle, 6000 lb - 57 in. frame
--	26573	1	Assembly, electric brake - left
--	26574	1	Assembly, electric brake - right

TRAILER BRAKE LINES

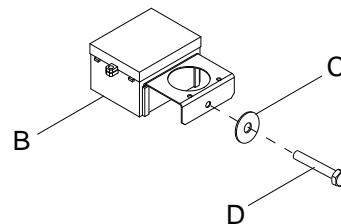
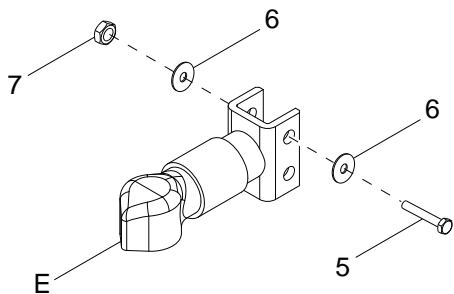
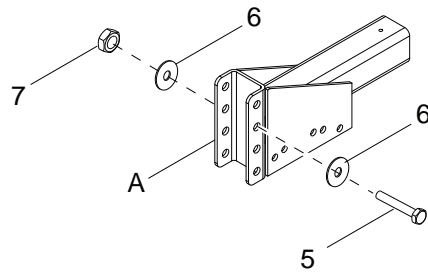
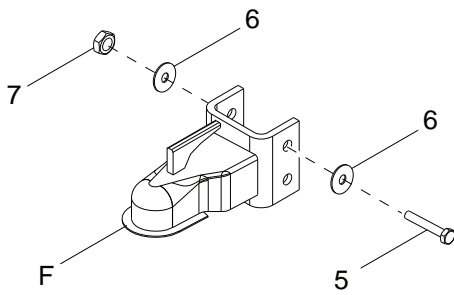
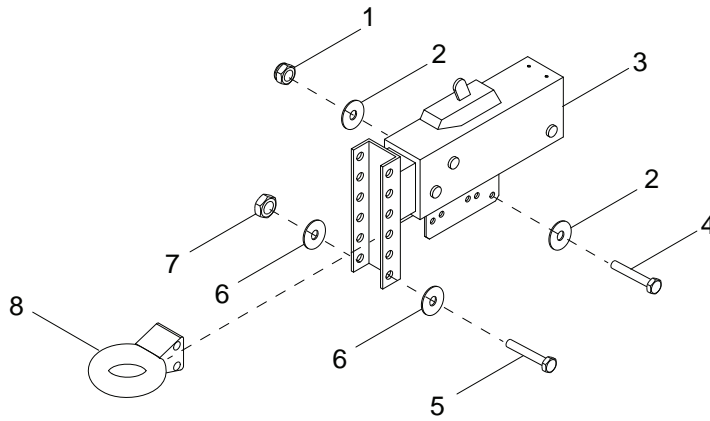


00618

TRAILER BRAKE LINES

Item	Part No.	Qty	Description	Notes
1	40495	1	Line, brake - .188 x 20.0	
2	60684	1	Screw, .250-20 x .875 std. hex, SS	
3	19252	1	Fitting, strt - .188 brake line T w/bracket - female	
4	60144	1	Nut, .250-20 nylock, G5	
5	22338	4	Line, brake - .188 x 60.0	
6	22339	2	Fitting, strt - .188 brake line coupler	
7	40493	2	Line, brake - .188 x 40.0	
8	40498	2	Fitting, strt - .188 brake line T - male/female/male	
9	40499	4	Clip, brake hose	
10	40497	4	Hose, brake - .188 x 20.0 - male/female	
11	60231	12	Rivet, .188 dia. x .375 to .500 grip	
12	61010	12	Clamp, tubing - .375 heavy duty	
13	60237	12	Washer, #10 flat .495/.036	
--	22340	2	Fitting, bushing - 1.0 OD x .750 ID	
--	19163	4	Fitting, bushing - .500 OD x .375 ID	

TRAILER HITCH OPTIONS



00619

TRAILER HITCH OPTIONS

Item	Part No.	Qty	Description	Notes
1	62221	5	Nut, .500-13 nylock, G5	
2	60309	10	Washer, .500 flat 1.060/.090	
3	18373	1	Actuator, trailer	
4	60376	5	Screw, .500-13 x 4.50 std hex, G5	
5	60239	2	Screw, .625-11 x 5.0 std hex, G5	
6	60193	4	Washer, M16 flat	
7	60240	2	Nut, .625-11 nylock, G5	
8	19335B	1	Coupler, lunette ring - 3.00 ID, adjustable	

OPTIONAL FEATURES

Electric Brake:

A	19763B	1	Weldment, hitch elec. - 4 position, adjustable
B	19417	1	Breakaway kit
C	60193	1	Washer, M16 flat
D	60239	1	Screw, .625-11 x 5.0 std hex, G5
--	65786	1	Harness, electric brake

Hitches:

E	41795	1	Coupler, 2.31 in. ball - Bulldog 12500 lb
F	19519	1	Coupler, 2.31 in. ball, adjustable

Hydraulic Brake Adapters:

--	65463	1	Adapter, trailer - flat 4 to round 6 pin
--	65464	1	Adapter, trailer - flat 4 to round 7 pin
--	65465	1	Adapter, trailer - flat 4 to round 7 blade

Electric Brake Adapters:

--	65593	1	Adapter, trailer - 4 pin & 2 pin to round 6 pin
--	65583	1	Adapter, trailer - round 6 pin to round 7 spade

RECOMMENDED SPARE PARTS LIST

ENGINE

Alternator	34546
AVR.....	34892
Belt, fan	34619
Cap, radiator	34962
Dipstick.....	53338
Element, air filter.....	53303
EPR valve.....	35617
Fan	30461
Filter, oil	34553
Filter, LP	31318
Gasket set	35554
Hose, radiator - lower	34593
Hose, radiator - upper.....	53300
Mixer, fuel	53304
O ² Sensor	34548
Sensor, low coolant	34957
Signal conditioner, low coolant - yellow	53479
Solenoid, fuel.....	34739
Spark plug	34555
Starter	34545
Thermostat (181°F, 83°C).....	34985
Throttle body/actuator.....	35228

ELECTRICAL

Breaker, SD - 400A, 3P, 600V, 80% EA, AC.....	36757
Controller, programmed.....	36758
Fuse, 10 amp.....	34897
Fuse, 5 amp.....	50812
Receptacle, 120V, 20A, GFI	39074
Relay, 10A	35455
Switch, E-stop.....	65470

TRAILER

Chain, safety.....	20159
Grommet, 4.50 in.....	10221
Grommet, 2.9 in.....	66394
Lens, amber.....	66702
Lens, red.....	66703
Light, rear tail.....	66701
Jack, side wind	41133
Jack, top wind.....	22892
Nut, .500-20 lug, G5	60096
Wheel, tire	22592

MAINTENANCE KITS

PM kit, general.....	34549
----------------------	-------

