

CUMMINS / DQFAD 1000



**Sales and
Service**

Cummins Sales and Service

NOTICE

A COPY OF THIS GENERATOR SET SUBMITTAL MUST BE RETURNED TO OUR OFFICE, APPROVED IN ITS ENTIRETY AND BEARING THE DATE OF APPROVAL, STAMP OR SIGNATURE AND TITLE OF THE APPROVING AUTHORITY, BEFORE ANY ITEM WILL BE RELEASED FOR MANUFACTURE OR SHIPMENT. WE ASSUME NO RESPONSIBILITY FOR DELAYS IN OUR FORECASTED SHIPPING SCHEDULES ON ANY ITEM ON WHICH SUBMITTAL APPROVAL IS BEYOND THIRTY (30) DAYS FROM THE SUBMISSION DATE ON THE COVER PAGE.

THIS SUBMITTAL IS BASED UPON OUR INTERPRETATION OF THE PROJECT REQUIREMENTS AND/OR SPECIFICATIONS AND IS IN ACCORDANCE WITH YOUR ORDER AND PRODUCT AVAILABILITY OF FROM OUR VENDORS. PLEASE REVIEW THE ENCLOSED DATA COMPLETELY AND CAREFULLY. SHOULD ADDITIONAL INFORMATION OR CLARIFICATION BE REQUIRED PLEASE FORWARD A SUBMITTAL COPY, COMPLETE WITH YOUR NOTATIONS, TO OUR OFFICE WITHIN THIRTY (30) DAYS FOR A PROMPT RESPONSE AND/OR RESUBMITTAL.

CONSIDERABLE ATTENTION IS GIVEN TO THE PREPARATION OF THIS SUBMITTAL TO ENSURE IT IS COMPLETE, CONCISE AND CORRECT AS IS POSSIBLE. PLEASE REVIEW IT CAREFULLY AND THOROUGHLY.

Table of Contents

1000 DQFAD

	Page
Cover Letter	1
Notice Letter	2
Table of Contents	3
Bill of Materials	4
Generator Specification Sheet	5-9
Generator Data Sheet	10-13
Generator PowerCommand Control - PCC 3.3	14-24
Generator Alternator Data Sheet	25
Prototype Test Certificate	26
Prototype Test Summary Report	27
Generator Open Unit Drawing	28-30
Generator Circuit Breaker Specification Sheet	31-33
Generator Circuit Breaker Drawing	34-36
Generator Coolant Heater Drawing	37
Generator Enclosure and Fuel Tank Specification Sheet	38-41
Generator Enclosure Drawing	42-43
Generator Enclosure and Fuel Tank Drawing	44-45
Generator Battery Charger Specification Sheet	46-48
Generator - Accessories Wiring Diagram	49
Generator Warranty Statement - 2 Year	50-51

Bill of Materials

Item	Description	Qty
	Diesel Genset: 60Hz-1000kW	
	U.S. EPA, Stationary Emergency Application	1
1000DQFAD	Genset-Diesel,60Hz,1000kW	1
A331-2	Duty Rating-Standby Power	1
L090-2	Listing-UL 2200	1
L170-2	Emissions Certification, EPA, Tier 2, NSPS CI Stationary Emergency	1
F202-2	Enclosure-Steel, Level II Sound Attenuated with Exhaust System	1
C252-2	Fuel Tank-Subbase,2000 Gallon, UL142 Compliant	1
R002-2	Voltage-277/480,3 Phase, Wye,4 Wire	1
BC34-2	Alternator-60Hz,3 Phase, Wye, Limited Range125C	1
H704-2	Generator Set Control-Power Command 3.3, Paralleling	1
H536-2	Display Language-English	1
KP74-2	Stop Switch-Emergency, Externally Mounted	1
KU67-2	Relays-Paralleling Circuit Breaker Control	1
H678-2	Display-Control, LCD	1
H609-2	Control Mounting-Left Facing	1
KU93-2	CB or EB or TB-Left Only	1
KP87-2	CB-1600A,3P,600/690V,UL/IEC,ServEnt,100%UL,Left with mechanical lugs	1
KB73-2	CB or EB or TB-Bottom Entry, Left	1
P175-2	Enclosure Color-Green, Steel Enclosure	1
L163-2	Listing, ULC-S601-07	1
C256-2	Fuel Tank Connection-Dual Stub Up	1
E126-2	Engine Cooling-Enhanced High Ambient Air Temperature	1
H389-2	Shutdown-Low Coolant Level	1
E098-2	Sight Glass-Coolant Level	1
H557-2	Coolant Heater-208/240/480V, Below 40F Ambient Temp	1
D041-2	Engine Air Cleaner-Normal Duty	1
L028-2	Generator Warranty - 2 Year/ 1000hr	1
A048G602	Battery Charger-10 Amp, 12/24V	1



Diesel generator set QST30 series engine

680 kW - 1000 kW 60 Hz



Description

Cummins® commercial generator sets are fully integrated power generation systems providing optimum performance, reliability and versatility for stationary Standby and Prime power applications.

Features

Cummins heavy-duty engine - Rugged 4-cycle, industrial diesel delivers reliable power, low emissions and fast response to load changes.

Alternator - Several alternator sizes offer selectable motor starting capability with low reactance 2/3 pitch windings, low waveform distortion with non-linear loads and fault clearing short-circuit capability.

Permanent Magnet Generator (PMG) - Offers enhanced motor starting and fault clearing short circuit capability.

Circuit breakers - Option for manually-and/or electrically-operated circuit breakers.

Control system - The PowerCommand® electronic control is standard equipment and provides total generator set system integration including automatic remote starting/stopping, precise frequency and voltage regulation, alarm and status message display, AmpSentry™ protection, output metering, auto-shutdown at fault detection and NFPA 110 Level 1 compliance.

Masterless Paralleling - An optional electrically operated circuit breaker can be added for a simple masterless paralleling solution.

Cooling system - Standard integral set-mounted radiator system, designed and tested for rated ambient temperatures, simplifies facility design requirements for rejected heat.

NFPA - The generator set accepts full rated load in a single step in accordance with NFPA 110 for Level 1 systems.

Warranty and service - Backed by a comprehensive warranty and worldwide distributor network.

Model	Standby rating	Prime rating	Continuous rating	Data sheets
	60 Hz kW (kVA)	60 Hz kW (kVA)	60 Hz kW (kVA)	60 Hz
DQFAA	750 (938)	680 (850)		D-3329
DQFAB	800 (1000)	725 (907)		D-3330
DQFAC	900 (1125)	818 (1023)		D-3331
DQFAD	1000 (1250)	900 (1125)		D-3332

Generator set specifications

Governor regulation class	ISO 8528 Part 1 Class G3
Voltage regulation, no load to full load	± 0.5%
Random voltage variation	± 0.5%
Frequency regulation	Isochronous
Random frequency variation	± 0.25%
Radio frequency emissions compliance	IEC 61000-4-2: Level 4 Electrostatic discharge IEC 61000-4-3: Level 3 Radiated susceptibility

Engine specifications

Bore	140 mm (5.51 in.)
Stroke	165.0 mm (6.5 in.)
Displacement	30.5 L (1860 in ³)
Cylinder block	Cast iron, V 12 cylinder
Battery capacity	1800 amps minimum at ambient temperature of -18 °C to 0 °C (0 °F to 32 °F)
Battery charging alternator	35 amps
Starting voltage	24 volt, negative ground
Fuel system	Direct injection: number 2 diesel fuel, fuel filter, automatic electric fuel shutoff
Fuel filter	Triple element, 10 micron filtration, spin-on fuel filters with water separator
Air cleaner type	Dry replaceable element
Lube oil filter type(s)	Four spin-on, combination full flow filter and bypass filters
Standard cooling system	High ambient radiator

Alternator specifications

Design	Brushless, 4 pole, drip-proof, revolving field
Stator	2/3 pitch
Rotor	Single bearing flexible discs
Insulation system	Class H on low and medium voltage, Class F on high voltage
Standard temperature rise	150 °C Standby at 40 °C ambient
Exciter type	PMG (Permanent Magnet Generator)
Phase rotation	A (U), B (V), C (W)
Alternator cooling	Direct drive centrifugal blower fan
AC waveform Total Harmonic Distortion (THDV)	< 5% no load to full linear load, < 3% for any single harmonic
Telephone Influence Factor (TIF)	< 50 per NEMA MG1-22.43
Telephone Harmonic Factor (THF)	< 3

Available voltages

60 Hz Line – Neutral/Line - Line

- | | | | |
|-----------|-----------|-----------|-----------|
| • 120/208 | • 220/380 | • 240/416 | • 347/600 |
| • 139/240 | • 230/400 | • 277/480 | |

Note: Consult factory for other voltages.

Generator set options

Engine

- 208/240/480 V coolant heater for ambient above 4.5 °C (40 °F)
- 208/240/480 V coolant heater for ambient below 4.5 °C (40 °F)

Control panel

- PowerCommand 3.3 with Masterless Load Demand (MLD)
- Run relay package
- Ground fault indication
- Paralleling configuration

- Remote fault signal package
- Exhaust gas temperature sensor
- 120/240 V 100 W control anti-condensation heater

Alternator

- 80 °C rise
- 105 °C rise
- 125 °C rise
- 120/240 V 300 W anti-condensation heater
- Temperature sensor - RTDs, 2-phase

- Temperature sensor – alternator bearing RTD
- Differential current transformers

Exhaust system

- Critical grade exhaust silencer
- Exhaust packages
- Industrial grade exhaust silencer
- Residential grade exhaust silencer

Cooling system

- High ambient 50 °C radiator

Generator set

- AC entrance box
- Battery
- Battery rack with hold-down - floor standing
- Circuit breaker - set mounted
- Disconnect switch - set mounted
- PowerCommand network
- Remote annunciator panel
- Spring isolators
- 2 year warranty
- 5 year warranty
- 10 year major components warranty

Note: Some options may not be available on all models - consult factory for availability.

PowerCommand 3.3 Control System



An integrated microprocessor based generator set control system providing voltage regulation, engine protection, alternator protection, operator interface and isochronous governing. Refer to document S-1570 for more detailed information on the control.

AmpSentry – Includes integral AmpSentry protection, which provides a full range of alternator protection functions that are matched to the alternator provided.

Power management – Control function provides battery monitoring and testing features and smart starting control system.

Advanced control methodology – Three phase sensing, full wave rectified voltage regulation, with a PWM output for stable operation with all load types.

Communications interface – Control comes standard with PCCNet and Modbus® interface.

Regulation compliant – Prototype tested: UL, CSA and CE compliant.

Service - InPower™ PC-based service tool available for detailed diagnostics, setup, data logging and fault simulation.

Easily upgradeable – PowerCommand controls are designed with common control interfaces.

Reliable design – The control system is designed for reliable operation in harsh environment.

Multi-language support

Operator panel features

Operator/display functions

- Displays paralleling breaker status
- Provides direct control of the paralleling breaker
- 320 x 240 pixels graphic LED backlight LCD

- Auto, manual, start, stop, fault reset and lamp test/panel lamp switches
- Alpha-numeric display with pushbuttons
- LED lamps indicating generator set running, remote start, not in auto, common shutdown, common warning, manual run mode, auto mode and stop

Paralleling control functions

- First Start Sensor System selects first generator set to close to bus
- Phase Lock Loop Synchronizer with voltage matching
- Sync check relay
- Isochronous kW and kVar load sharing
- Load govern control for utility paralleling
- Extended Paralleling (Base Load/Peak Shave) Mode
- Digital power transfer control, for use with a breaker pair to provide open transition, closed transition, ramping closed transition, peaking and base load functions,
- Alternator data
- Line-to-Neutral and Line-to-Line AC volts
- 3-phase AC current
- Frequency
- kW, kVar, power factor kVA (three phase and total)
- Engine data
- DC voltage
- Engine speed
- Lube oil pressure and temperature
- Coolant temperature
- Comprehensive FAE data (where applicable)
- Other data
- Genset model data
- Start attempts, starts, running hours, kW hours
- Load profile (operating hours at % load in 5% increments)
- Fault history
- Data logging and fault simulation (requires InPower)

Standard control functions

Digital governing

- Integrated digital electronic isochronous governor
- Temperature dynamic governing

Digital voltage regulation

- Integrated digital electronic voltage regulator
- 3-phase, 4-wire Line-to-Line sensing
- Configurable torque matching

AmpSentry AC protection

- AmpSentry protective relay
- Over current and short circuit shutdown
- Over current warning
- Single and three phase fault regulation
- Over and under voltage shutdown
- Over and under frequency shutdown
- Overload warning with alarm contact
- Reverse power and reverse Var shutdown
- Field overload shutdown

Engine protection

- Battery voltage monitoring, protection and testing
- Overspeed shutdown
- Low oil pressure warning and shutdown
- High coolant temperature warning and shutdown
- Low coolant level warning or shutdown
- Low coolant temperature warning
- Fail to start (overcrank) shutdown
- Fail to crank shutdown
- Cranking lockout
- Sensor failure indication
- Low fuel level warning or shutdown
- Fuel-in-rupture-basin warning or shutdown
- Full authority electronic engine protection

Control functions

- Time delay start and cool down
- Real time clock for fault and event time stamping
- Exerciser clock and time of day start/stop
- Data logging
- Cycle cranking
- Load shed
- Configurable inputs and outputs (4)
- Remote emergency stop

Options

- Auxiliary output relays (2)

Ratings definitions

Emergency Standby Power (ESP):

Applicable for supplying power to varying electrical load for the duration of power interruption of a reliable utility source. Emergency Standby Power (ESP) is in accordance with ISO 8528. Fuel Stop power in accordance with ISO 3046, AS 2789, DIN 6271 and BS 5514.

Limited-Time Running Power (LTP):

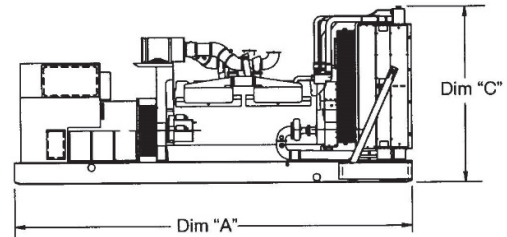
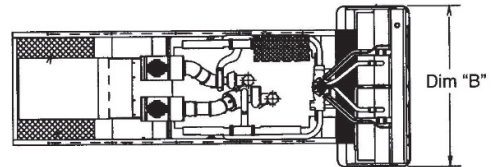
Applicable for supplying power to a constant electrical load for limited hours. Limited-Time running Power (LTP) is in accordance with ISO 8528.

Prime Power (PRP):

Applicable for supplying power to varying electrical load for unlimited hours. Prime Power (PRP) is in accordance with ISO 8528. Ten percent overload capability is available in accordance with ISO 3046, AS 2789, DIN 6271 and BS 5514.

Base Load (Continuous) Power (COP):

Applicable for supplying power continuously to a constant electrical load for unlimited hours. Continuous Power (COP) in accordance with ISO 8528, ISO 3046, AS 2789, DIN 6271 and BS 5514.



- This outline drawing is for reference only. See respective model data sheet for specific model outline drawing number.





Model	Dim 'A' mm (in.)	Dim 'B' mm (in.)	Dim 'C' mm (in.)	Set Weight dry* (kg)	Set Weight wet* (kg)
DQFAA	4287 (168.8)	1990 (78.3)	2355 (92.7)	6633 (14625)	6896 (15205)
DQFAB	4287 (168.8)	1990 (78.3)	2355 (92.7)	6857 (15117)	7120 (15697)
DQFAC	4287 (168.8)	1990 (78.3)	2355 (92.7)	7335 (16172)	7598 (16752)
DQFAD	4287 (168.8)	1990 (78.3)	2355 (92.7)	7594 (16742)	7857 (17322)

* Weights represent a set with standard features. See outline drawings for weights of other configurations.

see below drawings for overall shipping weight and dimensions

Codes and standards

Codes or standards compliance may not be available with all model configurations – consult factory for availability.

 <p>This generator set is designed in facilities certified to ISO 9001 and manufactured in facilities certified to ISO 9001 or ISO 9002.</p>	 <p>The generator set is available listed to UL 2200, Stationary Engine Generator Assemblies for all 60 Hz low voltage models. The PowerCommand control is Listed to UL 508 - Category NITW7 for U.S. and Canadian usage. Circuit breaker assemblies are UL 489 Listed for 100% Continuous operation and also UL 869A Listed Service Equipment.</p>
 <p>The Prototype Test Support (PTS) program verifies the performance integrity of the generator set design. Cummins products bearing the PTS symbol meet the prototype test requirements of NFPA 110 for Level 1 systems.</p>	<p>U.S. EPA</p> <p>Engine certified to Stationary Emergency U.S. EPA New Source Performance Standards, 40 CFR 60 subpart IIII Tier 2 exhaust emission levels. U.S. applications must be applied per this EPA regulation.</p>
 <p>All low voltage models are CSA certified to product class 4215-01.</p>	<p>International Building Code</p> <p>The generator set package is available certified for seismic application in accordance with the following International Building Code: IBC2000, IBC2003, IBC2006, IBC2009 and IBC2012.</p>

Warning: Back feed to a utility system can cause electrocution and/or property damage. Do not connect to any building's electrical system except through an approved device or after building main switch is open.

For more information contact your local Cummins distributor or visit power.cummins.com

Our energy working for you.™



Generator Set Data Sheet



Model:	DQFAD
Frequency:	60 Hz
Fuel Type:	Diesel
kW Rating:	1000 Standby 900 Prime
Emissions level:	EPA NSPS Stationary Emergency Tier 2

Exhaust emission data sheet:	EDS-1063
Exhaust emission compliance sheet:	EPA-1097
Sound performance data sheet:	MSP-1038
Cooling performance data sheet:	MCP-156
Prototype test summary data sheet:	PTS-266
Standard set-mounted radiator cooling outline:	A049K674
Optional remote radiator cooling outline:	A053G787

Fuel Consumption	Standby				Prime				Continuous
	kW (kVA)				kW (kVA)				kW (kVA)
Ratings	1000 (1250)				900 (1125)				
Load	1/4	1/2	3/4	Full	1/4	1/2	3/4	Full	Full
US gph	18.7	36.4	54.2	71.9	16.9	32.4	48.0	63.5	
L/hr	70.6	137.8	205.1	272.3	64.0	122.8	181.5	240.3	

Engine	Standby rating	Prime rating	Continuous rating
Engine manufacturer	Cummins Inc.		
Engine model	QST30-G5 NR2		
Configuration	Cast iron, V 12 cylinder		
Aspiration	Turbocharged and low temperature after-cooled		
Gross engine power output, kWm (bhp)	1112 (1490)	1007 (1350)	
BMEP at set rated load, kPa (psi)	2417 (351)	2160 (313)	
Bore, mm (in.)	140 (5.51)		
Stroke, mm (in.)	165 (6.5)		
Rated speed, rpm	1800		
Piston speed, m/s (ft/min)	9.91 (1950)		
Compression ratio	14.7:1		
Lube oil capacity, L (qt)	154 (162.8)		
Overspeed limit, rpm	2100 ±50		
Regenerative power, kW	82		

Fuel Flow		
Maximum fuel flow, L/hr (US gph)	570 (150)	
Maximum fuel inlet restriction, kPa (in Hg)	27 (8.0)	
Maximum fuel inlet temperature, °C (°F)	66 (150)	

Air	Standby rating	Prime rating	Continuous rating
Combustion air, m ³ /min (scfm)	88 (3150)	81 (2880)	
Maximum air cleaner restriction, kPa (in H ₂ O)	6.2 (25)		
Alternator cooling air, m ³ /min (cfm)	204 (7300)		

Exhaust

Exhaust flow at set rated load, m ³ /min (cfm)	211 (7540)	195 (6950)	
Exhaust temperature, °C (°F)	477 (890)	467 (873)	
Maximum back pressure, kPa (in H ₂ O)	6.8 (27)		

Standard Set-Mounted Radiator Cooling

Ambient design, °C (°F)	50 (122)		
Fan load, kW _m (HP)	33.1 (44.4)		
Coolant capacity (with radiator), L (US gal)	167 (44)		
Cooling system air flow, m ³ /min (scfm)	1097.5 (38753)		
Total heat rejection, MJ/min (Btu/min)	49.1 (46545)	44.07 (41775)	
Maximum cooling air flow static restriction, kPa (in H ₂ O)	0.12 (0.5)		
Maximum fuel return line restriction kPa (in Hg)	67.5 (20)		

Optional Heat Exchanger Cooling

Set coolant capacity, L (US gal)			
Heat rejected, jacket water circuit, MJ/min (Btu/min)			
Heat rejected, aftercooler circuit, MJ/min (Btu/min)			
Heat rejected, fuel circuit, MJ/min (Btu/min)			
Total heat radiated to room, MJ/min (Btu/min)			
Maximum raw water pressure, jacket water circuit, kPa (psi)			
Maximum raw water pressure, aftercooler circuit, kPa (psi)			
Maximum raw water pressure, fuel circuit, kPa (psi)			
Maximum raw water flow, jacket water circuit, L/min (US gal/min)			
Maximum raw water flow, aftercooler circuit, L/min (US gal/min)			
Maximum raw water flow, fuel circuit, L/min (US gal/min)			
Minimum raw water flow at 27 °C (80 °F) inlet temp, jacket water circuit, L/min (US gal/min)			
Minimum raw water flow at 27 °C (80 °F) inlet temp, aftercooler circuit, L/min (US gal/min)			
Minimum raw water flow at 27 °C (80 °F) inlet temp, fuel circuit, L/min (US gal/min)			
Raw water delta P at min flow, jacket water circuit, kPa (psi)			
Raw water delta P at min flow, aftercooler circuit, kPa (psi)			
Raw water delta P at min flow, fuel circuit, kPa (psi)			
Maximum jacket water outlet temp, °C (°F)			
Maximum aftercooler inlet temp, °C (°F)			
Maximum aftercooler inlet temp at 25 °C (77 °F) ambient, °C (°F)			
Maximum fuel return line restriction, kPa (in Hg)			

Optional Remote Radiator Cooling ¹	Standby rating	Prime rating	Continuous rating
Set coolant capacity, L (US gal)			
Max flow rate at max friction head, jacket water circuit, L/min (US gal/min)	992 (262)		
Max flow rate at max friction head, aftercooler circuit, L/min (US gal/min)	303 (80)		
Heat rejected, jacket water circuit, MJ/min (Btu/min)	22.67 (21500)	21.01 (19925)	
Heat rejected, aftercooler circuit, MJ/min (Btu/min)	18.35 (17400)	15.69 (14885)	
Heat rejected, fuel circuit, MJ/min (Btu/min)			
Total heat radiated to room, MJ/min (Btu/min)	6.1 (5753)	5.6 (5301)	
Maximum friction head, jacket water circuit, kPa (psi)	69 (10)		
Maximum friction head, aftercooler circuit, kPa (psi)	48 (7)		
Maximum static head, jacket water circuit, m (ft)	14 (46)		
Maximum static head, aftercooler circuit, m (ft)	14 (46)		
Maximum jacket water outlet temp, °C (°F)	104 (220)	100 (212)	
Maximum aftercooler inlet temp at 25 °C (77 °F) ambient, °C (°F)	41 (105)		
Maximum aftercooler inlet temp, °C (°F)	62 (143)	56 (133)	
Maximum fuel flow, L/hr (US gph)			
Maximum fuel return line restriction, kPa (in Hg)	67.5 (20)		

Weights²

Unit dry weight kgs (lbs)	7594 (16742)
Unit wet weight kgs (lbs)	7857 (17322)

see below drawings for overall shipping weight and dimensions



Notes:

¹ For non-standard remote installations contact your local Cummins representative.

² Weights represent a set with standard features. See outline drawing for weights of other configurations.

Derating Factors

Standby	Engine power available up to 701 m (2300 ft) at ambient temperatures up to 40 °C (104 °F). Above these elevations, derate at 3.5% per 305 m (1000 ft) and 7% per 10 °C (18 °F).
Prime	Engine power available up to 727 m (2385 ft) at ambient temperatures up to 40 °C (104 °F). Above these elevations, derate at 3.5% per 305 m (1000 ft) and 7% per 10 °C (18 °F).
Continuous	

Ratings Definitions

Emergency Standby Power (ESP):	Limited-Time Running Power (LTP):	Prime Power (PRP):	Base Load (Continuous) Power (COP):
Applicable for supplying power to varying electrical load for the duration of power interruption of a reliable utility source. Emergency Standby Power (ESP) is in accordance with ISO 8528. Fuel stop power in accordance with ISO 3046, AS 2789, DIN 6271 and BS 5514.	Applicable for supplying power to a constant electrical load for limited hours. Limited-Time Running Power (LTP) is in accordance with ISO 8528.	Applicable for supplying power to varying electrical load for unlimited hours. Prime Power (PRP) is in accordance with ISO 8528. Ten percent overload capability is available in accordance with ISO 3046, AS 2789, DIN 6271 and BS 5514.	Applicable for supplying power continuously to a constant electrical load for unlimited hours. Continuous Power (COP) is in accordance with ISO 8528, ISO 3046, AS 2789, DIN 6271 and BS 5514. No sustained overload capability is available at this rating.

Alternator Data

Voltage	Connection ¹	Temp rise degrees C	Duty ²	Single phase factor ³	Max surge kVA ⁴	Surge kW	Winding No.	Alternator data sheet	Feature code
208-240/416-480	Wye	125/105	S/P		4725	1034	311	ADS-633	BC34-2
380-480	Wye	125/105	S/P		4602	1018	312	ADS-330	B282-2
600	Wye	125/105	S/P		3866	1021	7	ADS-311	B300-2
380-480	Wye	105/80	S/P		4602	1018	312	ADS-330	B283-2
600	Wye	105/80	S/P		4234	1024	7	ADS-312	B301-2
380-480	Wye	80	S		5521	1024	312	ADS-331	B284-2
600	Wye	80	S		4602	1004	7	ADS-330	B604-2

Notes:

¹ Limited single phase capability is available from some three phase rated configurations. To obtain single phase rating, multiply the three phase kW rating by the Single Phase Factor³. All single phase ratings are at unity power factor.

² Standby (S), Prime (P) and Continuous ratings (C).

³ Factor for the *Single phase output from Three phase alternator* formula listed below.

⁴ Maximum rated starting kVA that results in a minimum of 90% of rated sustained voltage during starting.

Formulas for Calculating Full Load Currents:

Three phase output	Single phase output
$\frac{\text{kW} \times 1000}{\text{Voltage} \times 1.73 \times 0.8}$	$\frac{\text{kW} \times \text{SinglePhaseFactor} \times 1000}{\text{Voltage}}$

Warning: Back feed to a utility system can cause electrocution and/or property damage. Do not connect to any building's electrical system except through an approved device or after building main switch is open.

For more information contact your local Cummins distributor or visit power.cummins.com

Our energy working for you.™





PowerCommand® 3.3 control system



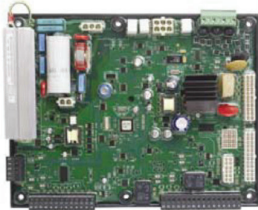
Control system description

The PowerCommand control system is a microprocessor-based genset monitoring, metering and control system designed to meet the demands of today's engine driven gensets. The integration of all control functions into a single control system provides enhanced reliability and performance, compared to conventional genset control systems. These control systems have been designed and tested to meet the harsh environment in which gensets are typically applied.

Features

- 320 x 240 pixels graphic LED backlight LCD.
- Multiple language support.
- AmpSentry™ protection - for true alternator overcurrent protection.
- Digital power transfer control (AMF) provides load transfer operation in open transition, closed transition, or soft (ramping) transfer modes.
- Extended paralleling (peak shave/base load) regulates the genset real and reactive power output while paralleled to the utility. Power can be regulated at either the genset or utility Bus monitoring point.
- Digital frequency synchronization and voltage matching.
- Isochronous load share
- Droop kW and kVAr control
- Real time clock for fault and event time stamping.
- Exerciser clock and time of day start/stop initiate a test with or without load, or a base load or peak shave session.
- Digital voltage regulation. Three phase full wave FET type regulator compatible with either shunt or PMG systems.
- Digital engine speed governing (where applicable)
- Generator set monitoring and protection.
- Utility/AC Bus metering and protection
- 12 and 24 V DC battery operation.
- ModBus® interface for interconnecting to customer equipment.
- Warranty and service. Backed by a comprehensive warranty and worldwide distributor service network.
- Certifications - Suitable for use on gensets that are designed, manufactured, tested and certified to relevant UL, NFPA, ISO, IEC, Mil Std. and CE standards.

PowerCommand digital genset control PCC 3300



Description

The PowerCommand genset control is suitable for use on a wide range of diesel and lean burn natural gas gensets in paralleling applications. The PowerCommand control is compatible with shunt or PMG excitation style. It is suitable for use with reconnectable or non-reconnectable generators, and it can be configured for any frequency, voltage and power connection from 120-600 VAC line-to-line, 601-45,000 VAC with external PT.

Power for this control system is derived from the genset starting batteries. The control functions over a voltage range from 8 VDC to 30 VDC.

Features

- 12 and 24 VDC battery operation.
- Digital voltage regulation - Three phase full wave FET type regulator compatible with either shunt or PMG systems. Sensing is three phase.
- Digital engine speed governing (where applicable) - Provides isochronous frequency regulation.
- Full authority engine communications (where applicable) - Provides communication and control with the Engine Control Module (ECM).
- AmpSentry protection - for true alternator overcurrent protection.
- Genset monitoring - Monitors status of all critical engine and alternator functions.
- Digital genset metering (AC and DC).
- Genset battery monitoring system to sense and warn against a weak battery condition.
- Configurable for single or three phase AC metering.
- Engine starting - Includes relay drivers for starter, Fuel Shut Off (FSO), glow plug/spark ignition power and switch B+ applications.
- Genset protection – Protects engine and alternator.
- Real time clock for fault and event time stamping.
- Exerciser clock and time of day start/stop initiate a test with or without load, or a base load or peak shave session.
- Digital power transfer control (AMF) provides load transfer operation in open transition, closed transition, or soft (ramping) transfer modes.
- Extended paralleling (peak shave/base load) regulates the genset real and reactive power output while paralleled to the utility. Power can be regulated at either the genset or utility bus monitoring point.
- Digital frequency synchronization and voltage matching.
- Isochronous load share
- Droop kW and KVA_r control
- Sync cCheck – The sync check function has adjustments for phase angle window, voltage window, frequency window and time delay.
- Utility/AC Bus metering and protection
- Advanced serviceability – using InPower™, a PC-based software service tool.
- Environmental protection – The control system is designed for reliable operation in harsh environments.
- The main control board is a fully encapsulated module that is protected from the elements.
- ModBus interface for interconnecting to customer equipment.
- Configurable inputs and outputs – Four discrete inputs and four dry contact relay outputs.
- Warranty and service – Backed by a comprehensive warranty and worldwide distributor service network.
- Certifications – Suitable for use on gensets that are designed, manufactured, tested and certified to relevant UL, NFPA, ISO, IEC, Mil Std. and CE standards.

Base control functions

HMI capability

Options – Local and remote HMI options.

Operator adjustments – The HMI includes provisions for many set up and adjustment functions.

Genset hardware data – Access to the control and software part number, genset rating in kVA and genset model number is provided from the HMI or InPower.

Data logs – Includes engine run time, controller on time, number of start attempts, total kilowatt hours, and load profile. (Control logs data indicating the operating hours at percent of rated kW load, in 5% increments. The data is presented on the operation panel based on total operating hours on the generator).

Fault history – Provides a record of the most recent fault conditions with control date and time stamp. Up to 32 events are stored in the control non-volatile memory.

Alternator data

- Voltage (single or three phase line-to-line and line-to-neutral)
- Current (single or three phase)
- kW, kVAr, power factor, kVA (three phase and total)
- Frequency

For Lean burn natural gas engine applications:

- Alternator heater status
- Alternator winding temperature (per phase)
- Alternator drive end bearing temperature
- Alternator non-drive end bearing temperature

Utility/AC Bus data

- Voltage (three phase line-to-line and line-to-neutral)
- Current (three phase and total)
- kW, kVAr, power factor, kVA (three phase and total)
- Frequency

Engine data

- Starting battery voltage
- Engine speed
- Engine temperature
- Engine oil pressure
- Engine oil temperature
- Intake manifold temperature
- Coolant temperature
- Comprehensive Full Authority Engine (FAE) data (where applicable)

For lean burn natural gas engine applications:

- Safety shutoff valve status
- Valve proving status
- Downstream gas pressure
- Gas inlet pressure
- Gas mass flow rate
- Control valve position
- Gas outlet pressure
- Manifold pressure
- Manifold temperature
- Throttle position
- Compressor outlet pressure
- Turbo speed
- Compressor bypass position
- Cylinder configuration (e.g., drive end and non-drive end configurations)
- Coolant pressure 1 and 2 (e.g., HT and LT)
- Coolant temperature 1 and 2 (e.g., HT and LT)
- Exhaust port temperature (up to 18 cylinders)
- Pre-filter oil pressure
- Exhaust back pressure
- CM700 internal temperature
- CM700 isolated battery voltage
- Speed bias
- CM558 internal temperature
- CM558 isolated battery voltage
- Knock level (up to 18 cylinders)

- Spark advance (up to 18 cylinders)
- Knock count (up to 18 cylinders)
- Auxiliary supply disconnect status
- Engine heater status
- Coolant circulating pump status
- Lube oil priming pump status
- Lube oil status
- Oil heater status
- Derate authorization status
- Start system status
- Ventilator fan status
- Ventilation louvre status
- Radiator fan status
- DC PSU status
- Start inhibit/enable status and setup

Service adjustments – The HMI includes provisions for adjustment and calibration of genset control functions. Adjustments are protected by a password. Functions include:

- Engine speed governor adjustments
- Voltage regulation adjustments
- Cycle cranking
- Configurable fault set up
- Configurable input and output set up
- Meter calibration
- Paralleling setup
- Display language and units of measurement

Engine control

SAE-J1939 CAN interface to full authority ECMs (where applicable). Provides data transfer between genset and engine controller for control, metering and diagnostics. 12 VDC/24 VDC battery operations - PowerCommand will operate either on 12 VDC or 24 VDC batteries.

Temperature dependent governing dynamics (with electronic governing) - modifies the engine governing control parameters as a function of engine temperature. This allows the engine to be more responsive when warm and more stable when operating at lower temperature levels.

Isochronous governing - (where applicable) Capable of controlling engine speed within +/-0.25% for any steady state load from no load to full load. Frequency drift will not exceed +/-0.5% for a 33 °C (60 °F) change in ambient temperature over an 8 hour period.

Droop electronic speed governing - Control can be adjusted to droop from 0 to 10% from no load to full load.

Remote start mode - It accepts a ground signal from remote devices to automatically start the genset and immediately accelerates to rated speed and voltage or run at idle until engine temperature is adequate. The remote start signal will also wake up the control from sleep mode. The control can incorporate a time delay start and stop.

Remote and local emergency stop - The control accepts a ground signal from a local (genset mounted) or remote (facility mounted) emergency stop switch to cause the genset to immediately shut down. The genset is prevented from running or cranking with the switch engaged. If in sleep mode, activation of either emergency stop switch will wake up the control.

Sleep mode - The control includes a configurable low current draw state to minimize starting battery current draw when the genset is not operating. The control can also be configured to go into a low current state while in auto for prime applications or applications without a battery charger.

Engine starting - The control system supports automatic engine starting. Primary and backup start disconnects are achieved by one of two methods: magnetic pickup or main alternator output frequency. The control also supports configurable glow plug control when applicable.

Cycle cranking - Is configurable for the number of starting cycles (1 to 7) and duration of crank and rest periods. Control includes starter protection algorithms to prevent the operator from specifying a starting sequence that might be damaging.

Time delay start and stop (cooldown) - Configurable for time delay of 0-300 seconds prior to starting after receiving a remote start signal and for time delay of 0-600 seconds prior to shut down after signal to stop in normal operation modes. Default for both time delay periods is 0 seconds.

For lean burn natural gas engine applications:

Engine start inhibit/enable – The function will allow application-specific processes to be started prior to the genset/engine start (e.g., pumps, boosters, etc.).

Alternator control

The control includes an integrated three phase line-to-line sensing voltage regulation system that is compatible with shunt or PMG excitation systems. The voltage regulation system is a three phase full wave rectified and has an FET output for good motor starting capability. Major system features include:

Digital output voltage regulation - Capable of regulating output voltage to within +/-1.0% for any loads between no load and full load. Voltage drift will not exceed +/-1.5% for a 40 °C

(104 °F) change in temperature in an eight hour period. On engine starting or sudden load acceptance, voltage is controlled to a maximum of 5% overshoot over nominal level.

The automatic voltage regulator feature can be disabled to allow the use of an external voltage regulator.

Drop voltage regulation - Control can be adjusted to droop from 0-10% from no load to full load.

Torque-matched V/Hz overload control - The voltage roll-off set point and rate of decay (i.e. the slope of the V/Hz curve) is adjustable in the control.

Fault current regulation - PowerCommand will regulate the output current on any phase to a maximum of three times rated current under fault conditions for both single phase and three phase faults. In conjunction with a permanent magnet generator, it will provide three times rated current on all phases for motor starting and short circuit coordination purpose.

Paralleling functions

First Start Sensor™ system – PowerCommand provides a unique control function that positively prevents multiple gensets from simultaneously closing to an isolated bus under black start conditions. The First Start Sensor system is a communication system between the gensets that allows the gensets to work together to determine which genset is a system should be the first to close to the bus. The system includes an independent backup function, so that if the primary system is disabled the required functions are still performed.

Synchronizing – Control incorporates a digital synchronizing function to force the genset to match the frequency, phase and voltage of another source such as a utility grid. The synchronizer includes provisions to provide proper operation even with highly distorted bus voltage waveforms. The synchronizer can match other sources over a range of 60-110% of nominal voltage and -24 to +6 Hz. The synchronizer function is configurable for slip frequency synchronizing for applications requiring a known direction of power flow at instant of breaker closure or for applications where phase synchronization performance is otherwise inadequate.

Load sharing control – The genset control includes an integrated load sharing control system for both real (kW) and reactive (kVar) loads when the genset(s) are operating on an isolated bus. The control system determines kW load on the engine and kVar load on the alternator as a percent of genset capacity, and then regulates fuel and excitation systems to maintain system and genset at the same percent of load without impacting voltage or frequency regulation. The control can also be configured for operation in droop mode for kW or kVar load sharing.

Load govern control – When PowerCommand receives a signal indicating that the genset is paralleled with an infinite source such as a utility (mains) service, the genset will operate in load govern mode. In this mode the genset will synchronize and close to the bus, ramp to a pre-programmed kW and kVar load level, and then operate at that point. Control is adjustable for kW values from 0- 100% of Standby rating, and 0.7-1.0 power factor (lagging). Default setting is 80% of Standby and 1.0 power factor. The control includes inputs to allow independent control of kW and kVar load level by a remote device while in the load govern mode. The rate of load increase and decrease is also adjustable in the control. In addition, the control can be configured for operation in kW or kVAR load govern droop.

Load demand control – The control system includes the ability to respond to an external signal to initiate load demand operation. On command, the genset will ramp to no load, open its paralleling breaker, cool down, and shut down. On removal of the command, the genset will immediately start, synchronize, connect, and ramp to its share of the total load on the system.

Sync check – The sync check function decides when permissive conditions have been met to allow breaker closure. Adjustable criteria are: phase difference from 0.1-20 deg, frequency difference from 0.001-1.0 Hz, voltage difference from 0.5-10%, and a dwell time from 0.5-5.0 sec. Internally the sync check is used to perform closed transition operations. An external sync check output is also available.

Genset and utility/AC Bus source AC metering – The control provides comprehensive three phase AC metering functions for both monitored sources, including:

3-phase voltage (L-L and L-N) and current, frequency, phase rotation, individual phase and totalized values of kW, kVAr, kVA and Power Factor; totalized positive and negative kW-hours, kVAr-hours, and kVA-hours. Three wire or four wire voltage connection with direct sensing of voltages to 600V, and up to 45kV with external transformers. Current sensing is accomplished with either 5 amp or 1 CT secondaries and with up to 10,000 amp primary. Maximum power readings are 32,000kW/kVAR/kVA.

Power transfer control – provides integrated automatic power transfer functions including source availability sensing, genset start/stop and transfer pair monitoring and control. The transfer/retransfer is configurable for open transition, fast closed transition (less than 100msec interconnect time), or soft closed transition (load ramping) sequences of operation. Utility source failure will automatically start genset and transfer load, retransferring when utility source returns. Test will start gensets and transfer load if test with load is enabled. Sensors and timers include:

Under voltage sensor: 3-phase L-N or L-L under voltage sensing adjustable for pickup from 85-100% of nominal. Dropout adjustable from 75-98% of pickup. Dropout delay adjustable from 0.1-30 sec.

Over voltage sensor: 3-phase L-N or L-L over voltage sensing adjustable for pickup from 95-99% of dropout. Dropout adjustable from 105-135% of nominal. Dropout delay adjustable from 0.5-120 sec. Standard configuration is disabled, and is configurable to enabled in the field using the HMI or InPower service tools.

Over/Under frequency sensor: Center frequency adjustable from 45-65 Hz. Dropout bandwidth adjustable from 0.3-5% of center frequency beyond pickup bandwidth. Pickup bandwidth adjustable from 0.3-20% of center frequency. Field configurable to enable.

Loss of phase sensor: Detects out of range voltage phase angle relationship. Field configurable to enable.

Phase rotation sensor: Checks for valid phase rotation of source. Field configurable to enable.

Breaker tripped: If the breaker tripped input is active, the associated source will be considered as unavailable.

Timers: Control provides adjustable start delay from 0- 300 sec, stop delay from 0-800 sec, transfer delay from

0- 120 sec, retransfer delay from 0-1800 sec, programmed transition delay from 0-60sec, and maximum parallel time from 0-1800 sec.

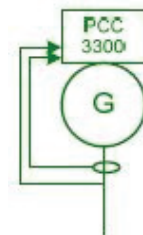
Breaker control – Utility and genset breaker interfaces include separate relays for opening and closing breaker, as well as inputs for both 'a' and 'b' breaker position contacts and tripped status. Breaker diagnostics include contact failure, fail to close, fail to open, fail to disconnect, and tripped. Upon breaker failure, appropriate control action is taken to maintain system integrity.

Extended paralleling – In extended paralleling mode (when enabled) the controller will start the genset and parallel to a utility source and then govern the real and reactive power output of the genset based on the desired control point. The control point for the real power (kW) can be configured for either the genset metering point ("base load") or the utility metering point ("peak shave"). The control point for the reactive power (kVAr or Power Factor) can also be independently configured for either the genset metering point or the utility metering point. This flexibility would allow base kW load from the genset while maintaining the utility power factor at a reasonable value to avoid penalties due to low power factor. The System always operates within genset ratings. The control point can be changed while the system is in operation. Set points can be adjusted via hardwired analog input or adjusted through an operator panel display or service tool.

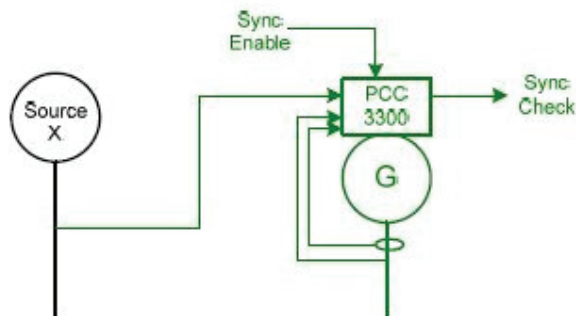
Exerciser clock –The exerciser clock (when enabled) allows the system to be operated at preset times in either test without load, test with load, or extended parallel mode. A real time clock is built in. Up to 12 different programs can be set for day of week, time of day, duration, repeat interval, and mode. For example, a test with load for 1 hour every Tuesday at 2AM can be programmed. Up to 6 different exceptions can also be set up to block a program from running during a specific date and time period.

Application types – Controller is configured to operating in one of six possible application types. These topologies are often used in combinations in larger systems, with coordination of the controllers in the system either by external device or by interlocks provided in the control. Topologies that may be selected in the control include:

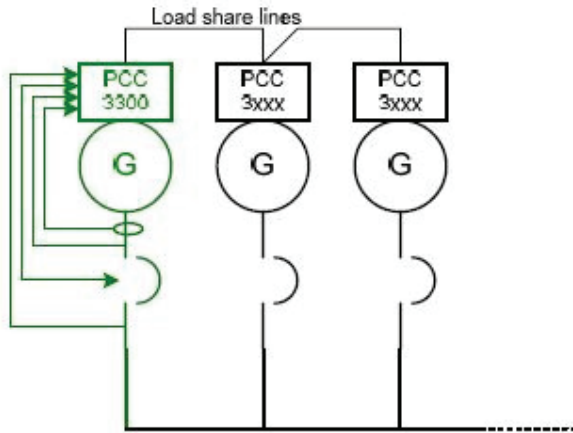
Standalone: Control provides monitoring, protection and control in a non-paralleling application.



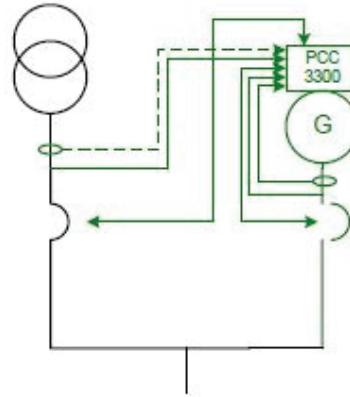
Synchronizer only: control will synchronize the genset to other source when commanded to either via a hardwired or Modbus driven input.



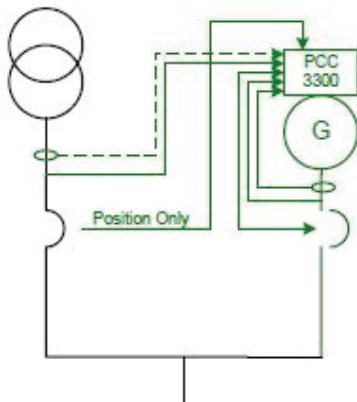
Isolated Bus: allows the genset to perform a dead bus closure or synchronize to the bus and isochronously share kW and kVAR loads with other gensets.



Power transfer control: control operates a single genset/single utility transfer pair in open transition, fast closed transition, or soft closed transition. Extended paralleling functionality also provides base load and peak shave options.



Utility single: Control monitors one genset and utility. The control will automatically start and provide power to a load if the utility fails. The control will also resynchronize the genset back to the utility and provides extended paralleling capabilities.



Protective functions

On operation of a protective function the control will indicate a fault by illuminating the appropriate status LED on the HMI, as well as display the fault code and fault description on the LCD. The nature of the fault and time of occurrence are logged in the control. The service manual and InPower service tool provide service keys and procedures based on the service codes provided.

Protective functions include:

Battle short mode

When enabled and the battle short switch is active, the control will allow some shutdown faults to be bypassed. If a bypassed shutdown fault occurs, the fault code and description will still be annunciated, but the genset will not shutdown. This will be followed by a fail to shutdown fault. Emergency stop shutdowns and others that are critical for proper operation (or are handled by the engine ECM) are not bypassed. Please refer to the control application guide or manual for list of these faults.

Derate

The derate function reduces output power of the genset in response to a fault condition. If a derate command occurs while operating on an isolated bus, the control will issue commands to reduce the load on the genset via contact closures or ModBus. If a derate command occurs while in utility parallel mode, the control will actively reduce power by lowering the base load kW to the derated target kW.

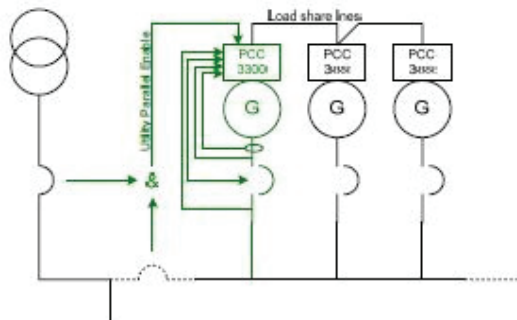
Configurable alarm and status inputs

The control accepts up to four alarm or status inputs (configurable contact closed to ground or open) to indicate a configurable (customer-specified) condition. The control is programmable for warning, derate, shutdown, shutdown with cooldown or status indication and for labeling the input.

Emergency stop

Annunciated whenever either emergency stop signal is received from external switch.

Utility multiple: Supports all functionality of Isolated Bus and provides extended paralleling to the utility. Extended paralleling load set points follow a constant setting; dynamically follow an analog input, ModBus register or HMI.



General engine protection

Low and high battery voltage warning - Indicates status of battery charging system (failure) by continuously monitoring battery voltage.

Weak battery warning - The control system will test the battery each time the genset is signaled to start and indicate a warning if the battery indicates impending failure.

Fail to start (overcrank) shutdown - The control system will indicate a fault if the genset fails to start by the completion of the engine crank sequence.

Fail to crank shutdown - Control has signaled starter to crank engine but engine does not rotate.

Cranking lockout - The control will not allow the starter to attempt to engage or to crank the engine when the engine is rotating.

Fault simulation - The control in conjunction with InPower software, will accept commands to allow a technician to verify the proper operation of the control and its interface by simulating failure modes or by forcing the control to operate outside of its normal operating ranges. InPower also provides a complete list of faults and settings for the protective functions provided by the controller.

For lean burn natural gas engine applications:

Off load running (protection) - This feature protects the engine in the event the genset is being called to go off load for too long.

Hydro mechanical fuel system engine protection

Overspeed shutdown - Default setting is 115% of nominal Low lube oil pressure warning/shutdown - Level is preset (configurable with InPower or HMI) to match the capabilities of the engine used. Control includes time delays to prevent nuisance alarms.

High lube oil temperature warning/shutdown - Level is preset (configurable with InPower or HMI) to match the capabilities of the engine used. Control includes time delays to prevent nuisance alarms.

High engine temperature warning/shutdown - Level is preset (configurable with InPower or HMI) to match the capabilities of the engine used. Control includes time delays to prevent nuisance alarms.

Low coolant temperature warning - Indicates that engine temperature may not be high enough for a 10 second start or proper load acceptance.

Low coolant temperature warning - Can be set up to be a warning or shutdown.

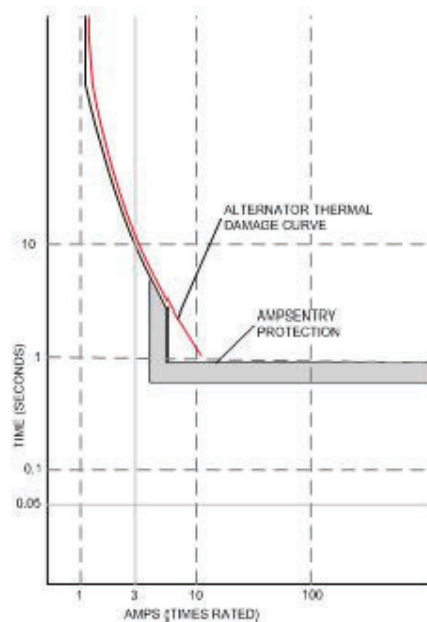
High intake manifold temperature shutdown - Level is preset (configurable with InPower or HMI) to match the capabilities of the engine used. Control includes time delays to prevent nuisance alarms.

Full authority electronic engine protection

Engine fault detection is handled inside the engine ECM. Fault information is communicated via the SAE-J1939 data link for annunciation in the HMI.

Alternator protection

AmpSentry protective relay - A comprehensive monitoring and control system integral to the PowerCommand Control System that guards the electrical integrity of the alternator and power system by providing protection against a wide array of fault conditions in the genset or in the load. It also provides single and three phase fault current regulation so that downstream protective devices have the maximum current available to quickly clear fault conditions without subjecting the alternator to potentially catastrophic failure conditions. See document R1053 for a full size time over current curve. The control does not include protection required for interconnection to a utility (mains) service.



High AC voltage shutdown (59) - Output voltage on any phase exceeds preset values. Time to trip is inversely proportional to amount above threshold. Values adjustable from 105-125% of nominal voltage, with time delay adjustable from 0.1-10 seconds. Default value is 110% for 10 seconds.

Low AC voltage shutdown (27) - Voltage on any phase has dropped below a preset value. Adjustable over a range of 50-95% of reference voltage, time delay 2-20 seconds. Default value is 85% for 10 seconds. Function tracks reference voltage. Control does not nuisance trip when voltage varies due to the control directing voltage to drop, such as during a V/Hz roll-off or synchronizing.

Under frequency shutdown (81 u) - Genset output frequency cannot be maintained. Settings are adjustable from 2-10 Hz below reference governor set point, for a 5-20 second time delay. Default: 6 Hz, 10 seconds. Under frequency protection is disabled when excitation is switched off, such as when engine is operating in idle speed mode.

Over frequency shutdown/warning (81o) - Genset is operating at a potentially damaging frequency level. Settings are adjustable from 2-10 Hz above nominal governor set point for a 1-20 second time delay. Default: 6 Hz, 20 seconds, disabled.

Overcurrent warning/shutdown (51) - Implementation of the thermal damage curve with instantaneous trip level calculated based on current transformer ratio and application power rating.

Loss of sensing voltage shutdown - Shutdown of genset will occur on loss of voltage sensing inputs to the control.

Field overload shutdown - Monitors field voltage to shutdown genset when a field overload condition occurs.

Over load (kW) warning - Provides a warning indication when engine is operating at a load level over a set point. Adjustment range: 80-140% of application rated kW, 0-120 second delay. Defaults: 105%, 60 seconds.

Reverse power shutdown (32) - Adjustment range: 5-20% of Standby kW rating, delay 1-15 seconds. Default: 10%, 3 seconds.

Reverse Var shutdown - Shutdown level is adjustable: 15- 50% of rated Var output, delay 10-60 seconds. Default: 20%, 10 seconds.

Short circuit protection - Output current on any phase is more than 175% of rating and approaching the thermal damage point of the alternator. Control includes algorithms to protect alternator from repeated over current conditions over a short period of time.

Negative sequence overcurrent warning (46) – Control protects the generator from damage due to excessive imbalances in the three phase load currents and/or power factors.

Custom overcurrent warning/shutdown (51) – Control provides the ability to have a custom time overcurrent protection curve in addition to the AmpSentry protective relay function.

Ground fault overcurrent (51G) – Control detects a ground fault either by an external ground fault relay via a contact input or the control can measure the ground current from an external current transformer. Associated time delays and thresholds are adjustable via InPower or HMI.

Paralleling protection

Breaker fail to close warning: When the control signals a circuit breaker to close, it will monitor the breaker auxiliary contacts and verify that the breaker has closed. If the control does not sense a breaker closure within an adjustable time period after the close signal, the fail to close warning will be initiated.

Breaker fail to open warning: The control system monitors the operation of breakers that have been signalled to open. If the breaker does not open within an adjustable time delay, a Breaker Fail to Open warning is initiated.

Breaker position contact warning: The controller will monitor both 'a' and 'b' position contacts from the breaker. If the contacts disagree as to the breaker position, the breaker position contact warning will be initiated.

Breaker tripped warning: The control accepts inputs to monitor breaker trip / bell alarm contact and will initiate a breaker tripped warning if it should activate.

Fail to disconnect warning: In the controller is unable to open either breaker, a fail to disconnect warning is initiated. Typically this would be mapped to a configurable output, allowing an external device to trip a breaker.

Fail to synchronize warning: Indicates that the genset could not be brought to synchronization with the bus. Configurable for adjustable time delay of 10 -900 seconds, 120 default.

Phase sequence sensing warning: Verifies that the genset phase sequence matches the bus prior to allowing the paralleling breaker to close.

Maximum parallel time warning (power transfer control mode only): During closed transition load transfers, control independently monitors paralleled time. If time is exceeded, warning is initiated and genset is disconnected.

Bus or genset PT input calibration warning: The control system monitors the sensed voltage from the bus and genset output voltage potential transformers. When the paralleling breaker is closed, it will indicate a warning condition if the read values are different.

Field control interface

Input signals to the PowerCommand control include:

- Coolant level (where applicable)
- Fuel level (where applicable)
- Remote emergency stop
- Remote fault reset
- Remote start
- Rupture basin
- Start type signal
- Battle short
- Load demand stop
- Synchronize enable
- Genset circuit breaker inhibit
- Utility circuit breaker inhibit
- Single mode verify
- Transfer inhibit – prevent transfer to utility (in power transfer control mode)
- Retransfer inhibit – prevent retransfer to genset (in power transfer control mode)
- kW and kVAR load setpoints
- Configurable inputs - Control includes (4) input signals from customer discrete devices that are configurable for warning, shutdown or status indication, as well as message displayed

For lean burn natural gas engine applications:

- Gearbox oil pressure/temperature protection
- Fire fault
- Earth fault
- Differential fault
- DC power supply fault
- Genset Interface Box (GIB) isolator open fault
- Start inhibit/enable (x3)
- Radiator fan trip

- Ventilator fan trip
- Ventilation louvers closed
- Start system trip
- Alternator heater trip
- Alternator heater status
- Alternator winding temperature (PT100 RTDx3)
- Alternator drive end bearing temperature (PT100 RTD)
- Alternator non-drive end bearing temperature (PT100 RTD)

Output signals from the PowerCommand control include:

- Load dump signal: Operates when the genset is in an overload condition.
- Delayed off signal: Time delay based output which will continue to remain active after the control has removed the run command. Adjustment range: 0 - 120 seconds. Default: 0 seconds.
- Configurable relay outputs: Control includes (4) relay output contacts (3 A, 30 VDC). These outputs can be configured to activate on any control warning or shutdown fault as well as ready to load, not in auto, common alarm, common warning and common shutdown.
- Ready to load (genset running) signal: Operates when the genset has reached 90% of rated speed and voltage and latches until genset is switched to off or idle mode.
- Paralleling circuit breaker relays outputs: Control includes (4) relay output contacts (3.5 A, 30 VDC) for opening and closing of the genset and utility breakers.

For lean burn natural gas engine applications:

- Start inhibit/enable event
- Emergency stop event
- Ventilator fan run control
- Louvre control
- Radiator fan control
- Alternator heater control
- Engine at idle speed event

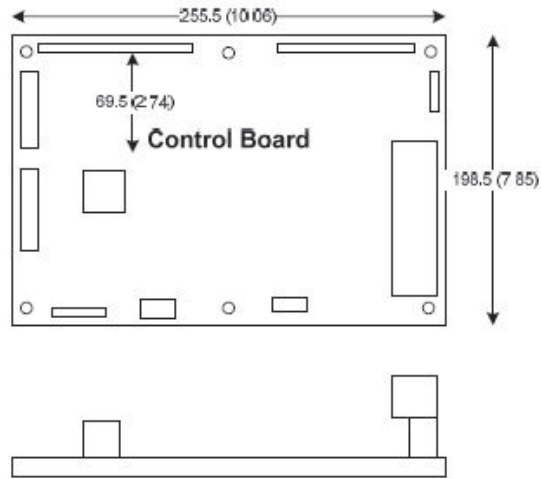
Communications connections include:

- PC tool interface: This RS-485 communication port allows the control to communicate with a personal computer running InPower software.
- ModBus RS-485 port: Allows the control to communicate with external devices such as PLCs using ModBus protocol.

Note - An RS-232 or USB to RS-485 converter is required for communication between PC and control.

- Networking: This RS-485 communication port allows connection from the control to the other Cummins products.

Mechanical drawing



PowerCommand Human Machine Interface HMI320



Description

This control system includes an intuitive operator interface panel that allows for complete genset control as well as system metering, fault annunciation, configuration and diagnostics. The interface includes five genset status LED lamps with both internationally accepted symbols and English text to comply with customer's needs. The interface also includes an LED backlit LCD display with tactile feel soft-switches for easy operation and screen navigation. It is configurable for units of measurement and has adjustable screen contrast and brightness.

The run/off/auto switch function is integrated into the interface panel.

All data on the control can be viewed by scrolling through screens with the navigation keys. The control displays the current active fault and a time-ordered history of the five previous faults.

Features

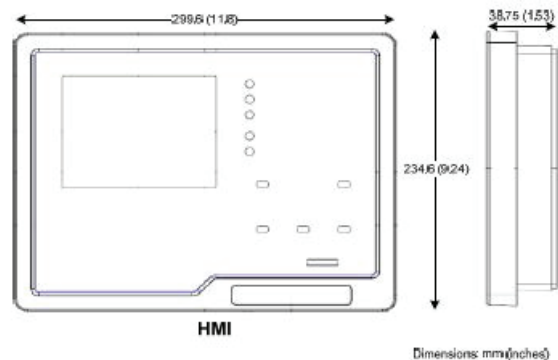
- LED indicating lamps:
- Genset running
- Remote start
- Not in auto
- Shutdown
- Warning
- Auto
- Manual and stop
- Circuit breaker open (if equipped)
- Circuit breaker closed (if equipped)
- 320 x 240 pixels graphic LED backlight LCD.
- Four tactile feel membrane switches for LCD defined operation. The functions of these switches are defined dynamically on the LCD.
- Seven tactile feel membrane switches dedicated screen navigation buttons for up, down, left, right, ok, home and cancel.

- Six tactile feel membrane switches dedicated to control for auto, stop, manual, manual start, fault reset and lamp test/panel lamps.
- Two tactile feel membrane switches dedicated to control of circuit breaker (where applicable).
- Allows for complete genset control setup.
- Certifications: Suitable for use on gensets that are designed, manufactured, tested and certified to relevant UL, NFPA, ISO, IEC, Mil Std. and CE standards.
- LCD languages supported: English, Spanish, French, German, Italian, Greek, Dutch, Portuguese, Finnish, Norwegian, Danish, Russian and Chinese characters.

Communications connections include:

- PC tool interface - This RS-485 communication port allows the HMI to communicate with a personal computer running InPower.
- This RS-485 communication port allows the HMI to communicate with the main control board.

Mechanical drawing



Software

InPower (beyond 6.5 version) is a PC-based software service tool that is designed to directly communicate to PowerCommand gensets and transfer switches, to facilitate service and monitoring of these products.

Environment

The control is designed for proper operation without recalibration in ambient temperatures from -40 °C (-40 °F) to +70 °C (158 °F), and for storage from -55 °C (-67 °F) to +80 °C (176 °F). Control will operate with humidity up to 95%, non-condensing.

The HMI is designed for proper operation in ambient temperatures from -20 °C (-4 °F) to +70 °C (158 °F), and for storage from -30 °C (-22 °F) to +80 °C (176 °F).

The control board is fully encapsulated to provide superior resistance to dust and moisture. Display panel has a single membrane surface, which is impervious to effects of dust, moisture, oil and exhaust fumes. This panel uses a sealed membrane to provide long reliable service life in harsh environments.

The control system is specifically designed and tested for resistance to RFI/EMI and to resist effects of vibration to provide a long reliable life when mounted on a genset. The control includes transient voltage surge suppression to provide compliance to referenced standards.

Certifications

PowerCommand meets or exceeds the requirements of the following codes and standards:

- NFPA 110 for level 1 and 2 systems.
- ISO 8528-4: 1993 compliance, controls and switchgear.
- CE marking: The control system is suitable for use on generator sets to be CE-marked.
- EN 50081-1,2 residential/light industrial emissions or industrial emissions.
- EN 50082-1,2 residential/light industrial or industrial susceptibility.
- ISO 7637-2, level 2; DC supply surge voltage test.
- Mil Std 202C, Method 101 and ASTM B117: Salt fog test.
- UL 508 recognized or Listed and suitable for use on UL 2200 Listed generator sets.
- CSA C282-M1999 compliance
- CSA 22.2 No. 14 M91 industrial controls.
- PowerCommand control systems and generator sets are designed and manufactured in ISO 9001 certified facilities.

Warranty

All components and subsystems are covered by an express limited one year warranty. Other optional and extended factory warranties and local distributor maintenance agreements are available.



**For more information contact your local Cummins distributor
or visit power.cummins.com**

Our energy working for you.™





Alternator Data Sheet

Frame Size: S6L1D-F4

Characteristics								
	No of Bearings:	1-bearing	2-bearing					
Weights:	Stator assembly:	2421 lb	1098 kg	2421 lb	1098 kg			
	Rotor assembly:	2130 lb	966 kg	2037 lb	924 kg			
	Complete assembly:	5128 lb	2326 kg	5002 lb	2269 kg			
Maximum speed:		2250 rpm						
Excitation current:	Full load:	2.6 Amps						
	No load:	0.55 Amps (Wdg 311/312), 0.79 Amps (Wdg 07)						
Insulation system:	Class H throughout							
3 Ø Ratings	(0.8 power factor)	60 Hz (winding no)						
		120/208 <u>240/416</u> (311/312)	127/220 <u>254/440</u> (311/312)	133/230 <u>266/460</u> (311/312)	139/240 <u>277/480</u> (311/312)	<u>120/240</u> <u>Delta</u> (311/312) <u>347/600</u> (07)		
150° C rise ratings	@ 40° C	kW	1080	1125	1160	1200	1080	1220
		kVA	1350	1406	1450	1500	1350	1525
125° C rise ratings	@ 40° C	kW	1020	1070	1110	1150	1020	1150
		kVA	1275	1338	1388	1438	1275	1438
105° C rise ratings	@ 40° C	kW	950	990	1020	1050	950	1050
		kVA	1188	1238	1275	1313	1188	1313
80° C rise ratings	@ 40° C	kW	824	860	880	900	824	900
		kVA	1030	1075	1100	1125	1030	1125
Reactances	(per unit ± 10%)	120/208 <u>240/416</u> (311/312)	127/220 <u>254/440</u> (311/312)	133/230 <u>266/460</u> (311/312)	139/240 <u>277/480</u> (311/312)	<u>120/240</u> <u>Delta</u> (311/312) <u>347/600</u> (07)		
(Based on full load at 125° C rise rating)								
Synchronous		3.0	2.82	2.67	2.54	3.0	1.96	
Transient		0.18	0.17	0.16	0.15	0.18	0.14	
Subtransient		0.14	0.13	0.13	0.12	0.14	0.11	
Negative sequence		0.21	0.20	0.19	0.18	0.21	0.15	
Zero sequence		0.06	0.06	0.06	0.05	0.06	0.04	
Motor starting		120/208 <u>240/416</u> (311/312)	127/220 <u>254/440</u> (311/312)	133/230 <u>266/460</u> (311/312)	139/240 <u>277/480</u> (311/312)	<u>120/240</u> <u>Delta</u> (311/312) <u>347/600</u> (07)		
Maximum kVA	(90% sustained voltage)	4725	4725	4725	4725	4725	4725	
Time constants	(sec)	120/208 <u>240/416</u> (311/312)	127/220 <u>254/440</u> (311/312)	133/230 <u>266/460</u> (311/312)	139/240 <u>277/480</u> (311/312)	<u>120/240</u> <u>Delta</u> (311/312) <u>347/600</u> (07)		
Transient		0.097	0.097	0.097	0.097	0.097	0.104	
Subtransient		0.0162	0.0162	0.0162	0.0162	0.0162	0.012	
Open circuit		4.09	4.09	4.09	4.09	4.09	4.066	
DC		0.0221	0.0221	0.0221	0.0221	0.0221	0.027	
Windings	(@22° C)	120/208 <u>240/416</u> (311/312)	127/220 <u>254/440</u> (311/312)	133/230 <u>266/460</u> (311/312)	139/240 <u>277/480</u> (311/312)	<u>120/240</u> <u>Delta</u> (311/312) <u>347/600</u> (07)		
Stator resistance	(L-L Ohms)	0.0018	0.0018	0.0018	0.0018	0.0018	0.0048	
Rotor resistance	(Ohms)	2.13	2.13	2.13	2.13	2.13	2.13	
Number of leads		12/6	12/6	12/6	12/6	12/6	6	

* Parallel Star connection only available with Wdg 311



Prototype Test Supported Emergency/Standby Generator Sets Certification

Cummins Power Generation certifies that its commercial generator sets bearing the Prototype Test Supported (PTS) seal have been subjected to a design and development process that includes extensive prototype testing and evaluation. A PTS production model is engineered and manufactured according to documentation developed through comprehensive research, design and design verification.

Design verification is based on tests of preproduction prototype models manufactured specifically for prototype test purposes and not sold as new equipment. To be certified as a PTS model, the generator set must satisfy these prerequisites:

DESIGN - The PTS certified generator set must be designed specifically for emergency/standby applications that require high reliability and rapid response.

PROTOTYPE TESTING - Design suitability of the PTS certified generator set must be proven by tests on preproduction prototype models. The prototype test program is intended to:

1. Confirm the engine and generator have reserve capacity beyond rating to minimize the potential of damage or shutdown during steady state or transient loading conditions, including momentary overloads.
2. Demonstrate generator set, controls and accessories capability to perform reliably and compatibly in service during disturbances common in actual load circuits.
3. Verify the integrity of the generator and excitation system insulation systems and electrical components to withstand heating under rated load and transient overcurrent conditions.
4. Evaluate generator set mechanical and electrical strength to perform without damage during abnormal operating conditions, such as short circuits or out-of-phase paralleling. While operating at rated load, the generator set must be subjected to several 3-phase short circuits of 20 second duration. After the tests, the generator set is inspected to verify that no electrical or mechanical damage was incurred by any components.
5. Determine by endurance testing that no resonance conditions exist in the generator set or accessories that will cause premature failure of components on production units.
6. Investigate and identify failure modes to minimize the risk of any single component failure or human error that could lead to lack of essential electrical supply.
7. Provide a margin of safety, by actual trials, between the generator set component design and protection systems so that the components are not damaged before the protective devices activate a shutdown.

DOCUMENTATION AND SOFTWARE - The PTS certified generator set must be documented in a single drawing package with all components identified with Cummins Power Generation part numbers. A PTS test certificate must be created for each PTS generator set certifying the PTS testing performed.

QUALITY ASSURANCE - Engineering drawings, specifications and test requirements for a PTS certified generator set must be classified by components and assembly quality characteristics. A component and process inspection and test plan must be developed and maintained to measure product conformance to documentation requirements.

PRODUCTION MODEL TESTING - PTS certified generator sets must be subjected to complete production tests that demonstrate conformance to specifications at all rated conditions, including start-up, full load pickup and a performance run at full rated load and power factor.



Prototype Test Support (PTS) 60 Hz test summary



<u>Generator set models</u>	<u>Representative prototype</u>
750DQFAA	Model: 1000DQFAD
800DQFAB	Alternator: HC6K
900DQFAC	Engine: QST30-G5 NR2

The following summarizes prototype testing conducted on the designated representative prototype of the specified models. This testing is conducted to verify the complete generator set electrical and mechanical design integrity. Prototype testing is conducted only on generator sets not sold as new equipment.

Maximum surge power: 1055 kW
The generator set was evaluated to determine the stated maximum surge power.

Torsional analysis and testing:
The generator set was tested to verify that the design is not subjected to harmful torsional stresses. A spectrum analysis of the transducer output was conducted over the speed range of 1200 to 2000 RPM.

Cooling system: 50 °C ambient
0.5 in H2O restriction
The cooling system was tested to determine ambient temperature and static restriction capabilities. The test was performed at full rated load in elevated ambient temperature under stated static restriction conditions.

Electrical and mechanical strength:
The generator set was tested to several single phase and three phase faults to verify that the generator can safely withstand the forces associated with short circuit conditions. The generator set was capable of producing full rated output at the conclusion of the testing.

Steady state performance:
The generator set was tested to verify steady state operating performance was within the specified maximum limits.

Voltage regulation: ± 0.50%
Random voltage variation: ± 0.50%
Frequency regulation: ± 0.25%
Random frequency variation: ± 0.25%

Transient performance:
The generator set was tested with the standard alternator to verify single step loading capability as required by NFPA 110. Voltage and frequency response on load: addition and rejection were evaluated. The following results were recorded at 0.8 power factor:

Full load acceptance:

Voltage dip: 35.9%
Recovery time: 4.5 seconds
Frequency dip: 11.4%
Recovery time: 5.0 seconds

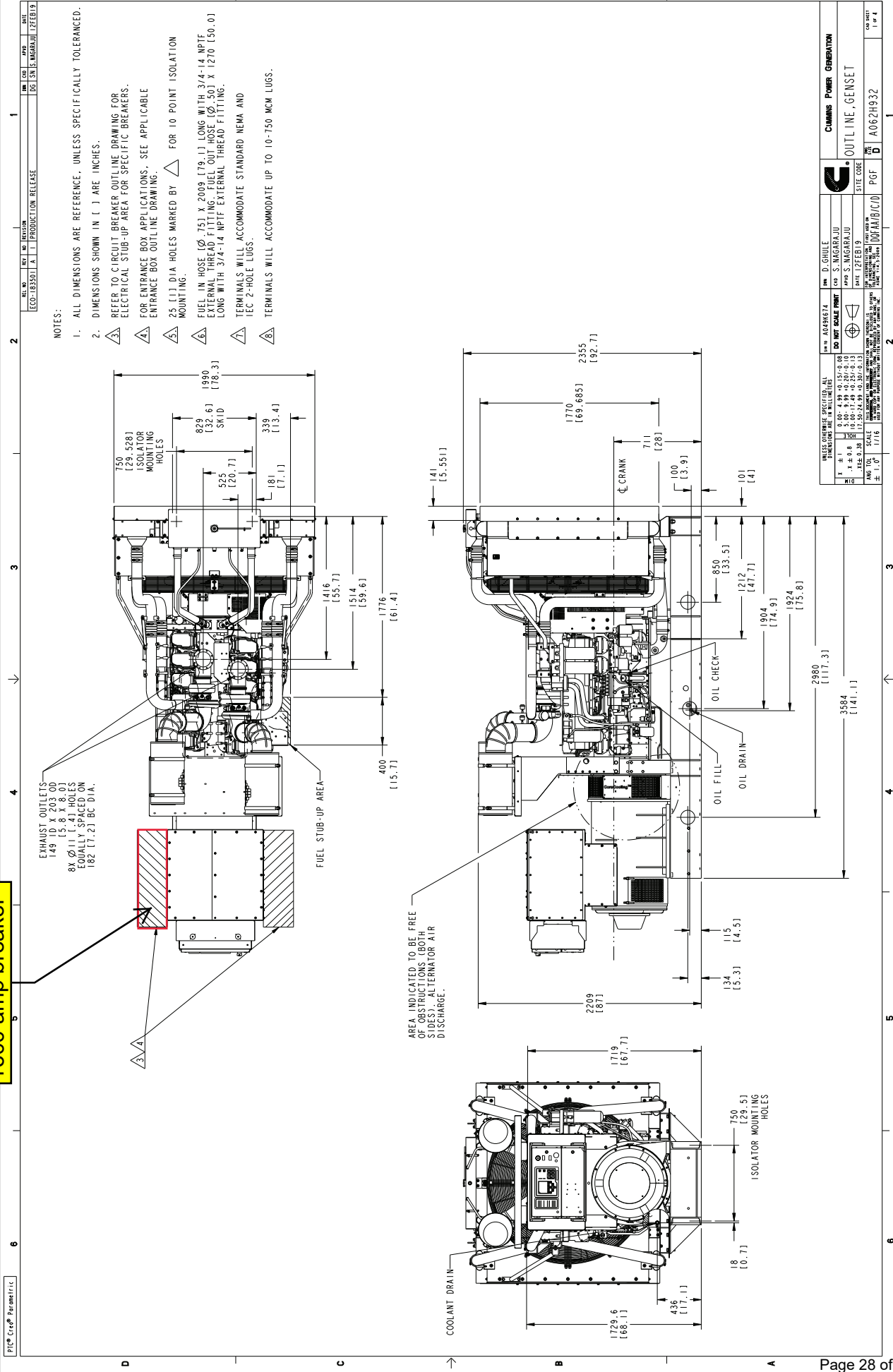
Full load rejection:

Voltage rise: 25.7%
Recovery time: 1.8 seconds
Frequency rise: 7.8%
Recovery time: 3.3 seconds

Harmonic analysis:
(per MIL-STD-705B, Method 601.4)

Harmonic	<u>Line to Line</u>		<u>Line to Neutral</u>	
	<u>No load</u>	<u>Full load</u>	<u>No load</u>	<u>Full load</u>
3	0.052	0.04	0.144	0.092
5	0.128	1.36	0.058	1.32
7	1.0	0.196	1.0	0.19
9	0.012	0.034	0.033	0.066
11	0.985	0.84	1.01	0.83
13	0.158	0.32	0.12	0.29
15	0.0	0.005	0.025	0.022

1600 amp breaker

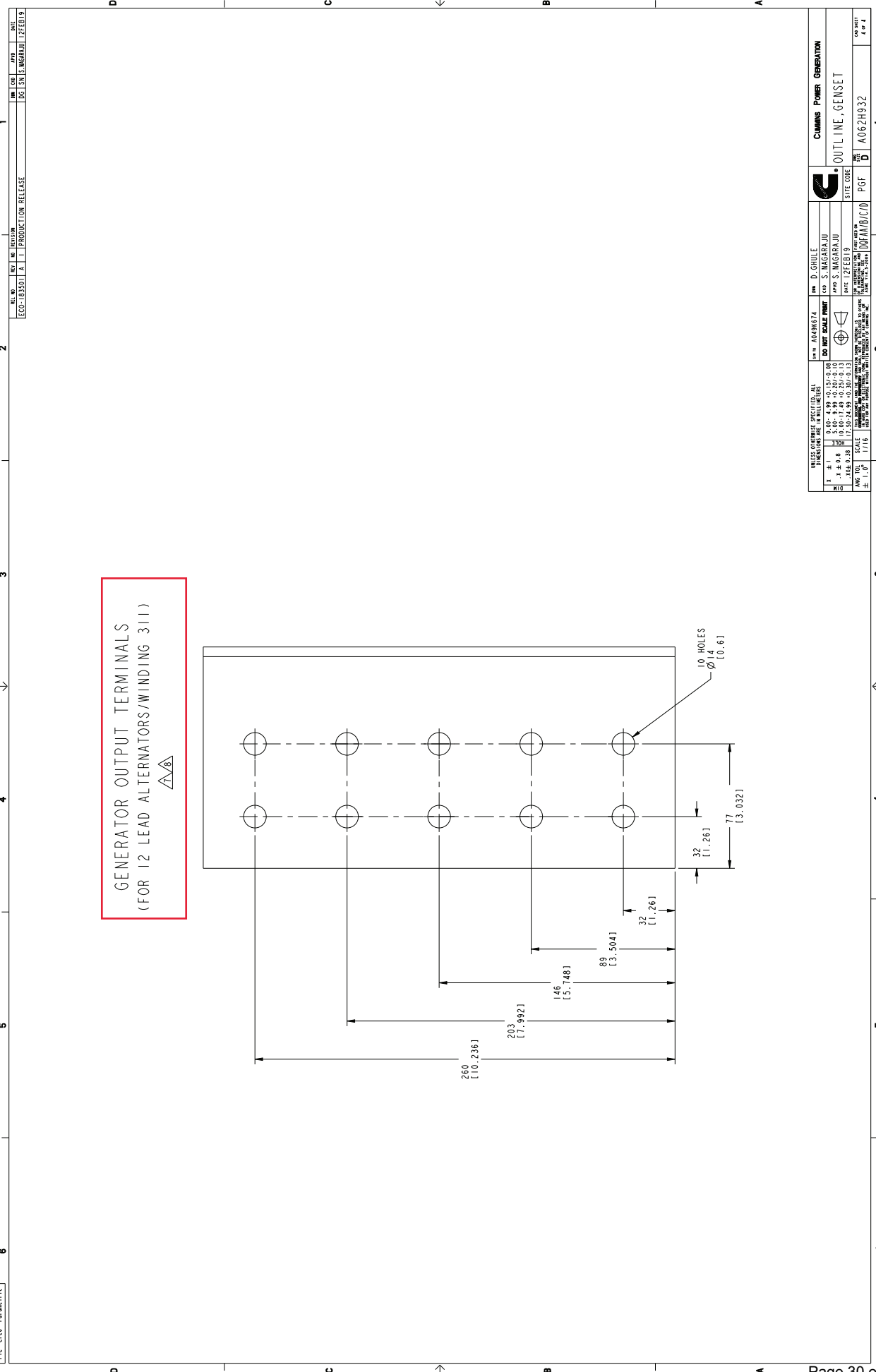


- NOTES:
1. ALL DIMENSIONS ARE REFERENCE, UNLESS SPECIFICALLY TOLERANCED.
 2. DIMENSIONS SHOWN IN () ARE INCHES.
 3. REFER TO CIRCUIT BREAKER OUTLINE DRAWING FOR ELECTRICAL STUB-UP AREA FOR SPECIFIC BREAKERS.
 4. FOR ENTRANCE BOX APPLICATIONS, SEE APPLICABLE ENTRANCE BOX OUTLINE DRAWING.
 5. 25 (1) DIA HOLES MARKED BY \triangle FOR 10 POINT ISOLATION MOUNTING.
 6. FUEL IN HOSE (Ø.75) X 2009 (79.1) LONG WITH 3/4-14 NPT EXTERNAL THREAD FITTING. FUEL OUT HOSE (Ø.50) X 1270 (50.0) LONG WITH 3/4-14 NPT EXTERNAL THREAD FITTING.
 7. TERMINALS WILL ACCOMMODATE STANDARD NEMA AND IEC 2-HOLE LUGS.
 8. TERMINALS WILL ACCOMMODATE UP TO 10-750 MCM LUGS.

ECO-183501 X 1 PRODUCTION RELEASE		REV	DATE	BY	CHK
ECO-183501 X 1 PRODUCTION RELEASE		1			
ECO-183501 X 1 PRODUCTION RELEASE		2			
ECO-183501 X 1 PRODUCTION RELEASE		3			
ECO-183501 X 1 PRODUCTION RELEASE		4			
ECO-183501 X 1 PRODUCTION RELEASE		5			
ECO-183501 X 1 PRODUCTION RELEASE		6			

UNLESS OTHERWISE SPECIFIED, ALL DIMENSIONS ARE IN MILLIMETERS		REV	DATE	BY	CHK
UNLESS OTHERWISE SPECIFIED, ALL DIMENSIONS ARE IN MILLIMETERS		1	0 00 4 98	05 150 4 08	
UNLESS OTHERWISE SPECIFIED, ALL DIMENSIONS ARE IN MILLIMETERS		2	1 00 0 18	10 00 1 48	08 250 4 13
UNLESS OTHERWISE SPECIFIED, ALL DIMENSIONS ARE IN MILLIMETERS		3	1 06 0 38	11 30 2 39	05 350 4 13
UNLESS OTHERWISE SPECIFIED, ALL DIMENSIONS ARE IN MILLIMETERS		4	1 10 1 16	11 16	

ECO-183501 X 1	ECO-183501 X 1	ECO-183501 X 1	ECO-183501 X 1	ECO-183501 X 1	ECO-183501 X 1
ECO-183501 X 1	ECO-183501 X 1	ECO-183501 X 1	ECO-183501 X 1	ECO-183501 X 1	ECO-183501 X 1
ECO-183501 X 1	ECO-183501 X 1	ECO-183501 X 1	ECO-183501 X 1	ECO-183501 X 1	ECO-183501 X 1
ECO-183501 X 1	ECO-183501 X 1	ECO-183501 X 1	ECO-183501 X 1	ECO-183501 X 1	ECO-183501 X 1
ECO-183501 X 1	ECO-183501 X 1	ECO-183501 X 1	ECO-183501 X 1	ECO-183501 X 1	ECO-183501 X 1
ECO-183501 X 1	ECO-183501 X 1	ECO-183501 X 1	ECO-183501 X 1	ECO-183501 X 1	ECO-183501 X 1



UNLESS OTHERWISE SPECIFIED, ALL DIMENSIONS ARE IN MILLIMETERS		REV. 04/29/07	DESIGNER: D. CHOLE	CUMMINS POWER GENERATION
1	0.00 - 0.30	0.00 - 0.30	0.00 - 0.30	0.00 - 0.30
2	0.30 - 0.63	0.30 - 0.63	0.30 - 0.63	0.30 - 0.63
3	0.63 - 1.27	0.63 - 1.27	0.63 - 1.27	0.63 - 1.27
4	1.27 - 2.54	1.27 - 2.54	1.27 - 2.54	1.27 - 2.54
5	2.54 - 5.08	2.54 - 5.08	2.54 - 5.08	2.54 - 5.08
6	5.08 - 10.16	5.08 - 10.16	5.08 - 10.16	5.08 - 10.16
7	10.16 - 20.32	10.16 - 20.32	10.16 - 20.32	10.16 - 20.32
8	20.32 - 40.64	20.32 - 40.64	20.32 - 40.64	20.32 - 40.64
9	40.64 - 81.28	40.64 - 81.28	40.64 - 81.28	40.64 - 81.28
10	81.28 - 162.56	81.28 - 162.56	81.28 - 162.56	81.28 - 162.56
11	162.56 - 325.12	162.56 - 325.12	162.56 - 325.12	162.56 - 325.12
12	325.12 - 650.24	325.12 - 650.24	325.12 - 650.24	325.12 - 650.24
13	650.24 - 1300.48	650.24 - 1300.48	650.24 - 1300.48	650.24 - 1300.48
14	1300.48 - 2600.96	1300.48 - 2600.96	1300.48 - 2600.96	1300.48 - 2600.96
15	2600.96 - 5201.92	2600.96 - 5201.92	2600.96 - 5201.92	2600.96 - 5201.92
16	5201.92 - 10403.84	5201.92 - 10403.84	5201.92 - 10403.84	5201.92 - 10403.84
17	10403.84 - 20807.68	10403.84 - 20807.68	10403.84 - 20807.68	10403.84 - 20807.68
18	20807.68 - 41615.36	20807.68 - 41615.36	20807.68 - 41615.36	20807.68 - 41615.36
19	41615.36 - 83230.72	41615.36 - 83230.72	41615.36 - 83230.72	41615.36 - 83230.72
20	83230.72 - 166461.44	83230.72 - 166461.44	83230.72 - 166461.44	83230.72 - 166461.44
21	166461.44 - 332922.88	166461.44 - 332922.88	166461.44 - 332922.88	166461.44 - 332922.88
22	332922.88 - 665845.76	332922.88 - 665845.76	332922.88 - 665845.76	332922.88 - 665845.76
23	665845.76 - 1331691.52	665845.76 - 1331691.52	665845.76 - 1331691.52	665845.76 - 1331691.52
24	1331691.52 - 2663383.04	1331691.52 - 2663383.04	1331691.52 - 2663383.04	1331691.52 - 2663383.04
25	2663383.04 - 5326766.08	2663383.04 - 5326766.08	2663383.04 - 5326766.08	2663383.04 - 5326766.08
26	5326766.08 - 10653532.16	5326766.08 - 10653532.16	5326766.08 - 10653532.16	5326766.08 - 10653532.16
27	10653532.16 - 21307064.32	10653532.16 - 21307064.32	10653532.16 - 21307064.32	10653532.16 - 21307064.32
28	21307064.32 - 42614128.64	21307064.32 - 42614128.64	21307064.32 - 42614128.64	21307064.32 - 42614128.64
29	42614128.64 - 85228257.28	42614128.64 - 85228257.28	42614128.64 - 85228257.28	42614128.64 - 85228257.28
30	85228257.28 - 170456514.56	85228257.28 - 170456514.56	85228257.28 - 170456514.56	85228257.28 - 170456514.56
31	170456514.56 - 340913029.12	170456514.56 - 340913029.12	170456514.56 - 340913029.12	170456514.56 - 340913029.12
32	340913029.12 - 681826058.24	340913029.12 - 681826058.24	340913029.12 - 681826058.24	340913029.12 - 681826058.24
33	681826058.24 - 1363652116.48	681826058.24 - 1363652116.48	681826058.24 - 1363652116.48	681826058.24 - 1363652116.48
34	1363652116.48 - 2727304232.96	1363652116.48 - 2727304232.96	1363652116.48 - 2727304232.96	1363652116.48 - 2727304232.96
35	2727304232.96 - 5454608465.92	2727304232.96 - 5454608465.92	2727304232.96 - 5454608465.92	2727304232.96 - 5454608465.92
36	5454608465.92 - 10909216931.84	5454608465.92 - 10909216931.84	5454608465.92 - 10909216931.84	5454608465.92 - 10909216931.84
37	10909216931.84 - 21818433863.68	10909216931.84 - 21818433863.68	10909216931.84 - 21818433863.68	10909216931.84 - 21818433863.68
38	21818433863.68 - 43636867727.36	21818433863.68 - 43636867727.36	21818433863.68 - 43636867727.36	21818433863.68 - 43636867727.36
39	43636867727.36 - 87273735454.72	43636867727.36 - 87273735454.72	43636867727.36 - 87273735454.72	43636867727.36 - 87273735454.72
40	87273735454.72 - 174547470909.44	87273735454.72 - 174547470909.44	87273735454.72 - 174547470909.44	87273735454.72 - 174547470909.44
41	174547470909.44 - 349094941818.88	174547470909.44 - 349094941818.88	174547470909.44 - 349094941818.88	174547470909.44 - 349094941818.88
42	349094941818.88 - 698189883637.76	349094941818.88 - 698189883637.76	349094941818.88 - 698189883637.76	349094941818.88 - 698189883637.76
43	698189883637.76 - 1396379767275.52	698189883637.76 - 1396379767275.52	698189883637.76 - 1396379767275.52	698189883637.76 - 1396379767275.52
44	1396379767275.52 - 2792759534551.04	1396379767275.52 - 2792759534551.04	1396379767275.52 - 2792759534551.04	1396379767275.52 - 2792759534551.04
45	2792759534551.04 - 5585519069102.08	2792759534551.04 - 5585519069102.08	2792759534551.04 - 5585519069102.08	2792759534551.04 - 5585519069102.08
46	5585519069102.08 - 11171038138204.16	5585519069102.08 - 11171038138204.16	5585519069102.08 - 11171038138204.16	5585519069102.08 - 11171038138204.16
47	11171038138204.16 - 22342076276408.32	11171038138204.16 - 22342076276408.32	11171038138204.16 - 22342076276408.32	11171038138204.16 - 22342076276408.32
48	22342076276408.32 - 44684152552816.64	22342076276408.32 - 44684152552816.64	22342076276408.32 - 44684152552816.64	22342076276408.32 - 44684152552816.64
49	44684152552816.64 - 89368305105633.28	44684152552816.64 - 89368305105633.28	44684152552816.64 - 89368305105633.28	44684152552816.64 - 89368305105633.28
50	89368305105633.28 - 178736610211266.56	89368305105633.28 - 178736610211266.56	89368305105633.28 - 178736610211266.56	89368305105633.28 - 178736610211266.56
51	178736610211266.56 - 357473220422533.12	178736610211266.56 - 357473220422533.12	178736610211266.56 - 357473220422533.12	178736610211266.56 - 357473220422533.12
52	357473220422533.12 - 714946440845066.24	357473220422533.12 - 714946440845066.24	357473220422533.12 - 714946440845066.24	357473220422533.12 - 714946440845066.24
53	714946440845066.24 - 1429892881690132.48	714946440845066.24 - 1429892881690132.48	714946440845066.24 - 1429892881690132.48	714946440845066.24 - 1429892881690132.48
54	1429892881690132.48 - 2859785763380264.96	1429892881690132.48 - 2859785763380264.96	1429892881690132.48 - 2859785763380264.96	1429892881690132.48 - 2859785763380264.96
55	2859785763380264.96 - 5719571526760529.92	2859785763380264.96 - 5719571526760529.92	2859785763380264.96 - 5719571526760529.92	2859785763380264.96 - 5719571526760529.92
56	5719571526760529.92 - 11439143053521059.84	5719571526760529.92 - 11439143053521059.84	5719571526760529.92 - 11439143053521059.84	5719571526760529.92 - 11439143053521059.84
57	11439143053521059.84 - 22878286107042119.68	11439143053521059.84 - 22878286107042119.68	11439143053521059.84 - 22878286107042119.68	11439143053521059.84 - 22878286107042119.68
58	22878286107042119.68 - 45756572214084239.36	22878286107042119.68 - 45756572214084239.36	22878286107042119.68 - 45756572214084239.36	22878286107042119.68 - 45756572214084239.36
59	45756572214084239.36 - 91513144428168478.72	45756572214084239.36 - 91513144428168478.72	45756572214084239.36 - 91513144428168478.72	45756572214084239.36 - 91513144428168478.72
60	91513144428168478.72 - 183026288856336957.44	91513144428168478.72 - 183026288856336957.44	91513144428168478.72 - 183026288856336957.44	91513144428168478.72 - 183026288856336957.44
61	183026288856336957.44 - 366052577712673914.88	183026288856336957.44 - 366052577712673914.88	183026288856336957.44 - 366052577712673914.88	183026288856336957.44 - 366052577712673914.88
62	366052577712673914.88 - 732105155425347829.76	366052577712673914.88 - 732105155425347829.76	366052577712673914.88 - 732105155425347829.76	366052577712673914.88 - 732105155425347829.76
63	732105155425347829.76 - 1464210310850695659.52	732105155425347829.76 - 1464210310850695659.52	732105155425347829.76 - 1464210310850695659.52	732105155425347829.76 - 1464210310850695659.52
64	1464210310850695659.52 - 2928420621701391319.04	1464210310850695659.52 - 2928420621701391319.04	1464210310850695659.52 - 2928420621701391319.04	1464210310850695659.52 - 2928420621701391319.04
65	2928420621701391319.04 - 5856841243402782638.08	2928420621701391319.04 - 5856841243402782638.08	2928420621701391319.04 - 5856841243402782638.08	2928420621701391319.04 - 5856841243402782638.08
66	5856841243402782638.08 - 11713682486805565276.16	5856841243402782638.08 - 11713682486805565276.16	5856841243402782638.08 - 11713682486805565276.16	5856841243402782638.08 - 11713682486805565276.16
67	11713682486805565276.16 - 23427364973611130552.32	11713682486805565276.16 - 23427364973611130552.32	11713682486805565276.16 - 23427364973611130552.32	11713682486805565276.16 - 23427364973611130552.32
68	23427364973611130552.32 - 46854729947222261104.64	23427364973611130552.32 - 46854729947222261104.64	23427364973611130552.32 - 46854729947222261104.64	23427364973611130552.32 - 46854729947222261104.64
69	46854729947222261104.64 - 93709459894444522209.28	46854729947222261104.64 - 93709459894444522209.28	46854729947222261104.64 - 93709459894444522209.28	46854729947222261104.64 - 93709459894444522209.28
70	93709459894444522209.28 - 187418919788889044418.56	93709459894444522209.28 - 187418919788889044418.56	93709459894444522209.28 - 187418919788889044418.56	93709459894444522209.28 - 187418919788889044418.56
71	187418919788889044418.56 - 374837839577778088837.12	187418919788889044418.56 - 374837839577778088837.12	187418919788889044418.56 - 374837839577778088837.12	187418919788889044418.56 - 374837839577778088837.12
72	374837839577778088837.12 - 749675679155556177674.24	374837839577778088837.12 - 749675679155556177674.24	374837839577778088837.12 - 749675679155556177674.24	374837839577778088837.12 - 749675679155556177674.24
73	749675679155556177674.24 - 1499351358311112353448.48	749675679155556177674.24 - 1499351358311112353448.48	749675679155556177674.24 - 1499351358311112353448.48	749675679155556177674.24 - 1499351358311112353448.48
74	1499351358311112353448.48 - 2998702716622224706896.96	1499351358311112353448.48 - 2998702716622224706896.96	1499351358311112353448.48 - 2998702716622224706896.96	1499351358311112353448.48 - 2998702716622224706896.96
75	2998702716622224706896.96 - 5997405433244449413793.92	2998702716622224706896.96 - 5997405433244449413793.92	2998702716622224706896.	

Circuit breakers



Description

This data sheet provides circuit breaker manufacturer part numbers and specifications. The circuit breaker box description is the rating of that breaker box installation on a Cummins® generator. Please refer to the website of the circuit breaker manufacturer for breaker specific ratings and technical information.

Applicable models

Engine	Models			
QSK19-G8	DQPAA	DQPAB		
QSK23-G7	DQCA	DQCB	DQCC	
QST30-G5	DQFAA	DQFAB	DQFAC	DQFAD
QST30-G17	DQFAE	DQFAF	DQFAG	DQFAH
QSK50-G5	DQGAE	DQGAF		
QSK50-G4	DQGAA	DQGAB		
QSK50-G8	DQGAR	DQGAS		
QSK60-G6	DQKAD	DQKAE	DQKAA	DQKAB
QSK60-G14	DQKAF			
QSK60-G16	DQKAK	DQKAL		
QSK60-G17	DQKAM			

Instructions

1. Locate the circuit breaker feature code or part number and use the charts below to find the corresponding manufacturer circuit breaker catalog number.
2. Use the first letter of the circuit breaker catalog number to determine the "frame" of the breaker. If the first letter is an "N", use the second letter. Then follow the corresponding website link from the table below to find the breaker catalog number description.

Please refer to the catalog numbering systems page, which is given in the chart, to understand the nomenclature of the catalog number.

Frame	Catalog Name*	Catalog Number description pages
P and R	0612CT0101 http://www.schneiderelectric.us/en/download/document/0612CT0101/	16-17
L	0611CT1001 http://www.schneiderelectric.us/en/download/document/0611CT1001/	8-9
MasterPact NT/NW	http://www.schneider-electric.us/en/faqs/FA231180/	Please refer to PLS007 Rev 25

*The following link may also be used to search specifically by the breaker part number or for the catalog name listed above.

<http://products.schneider-electric.us/technical-library/>

3. Search the catalog by using the first 3 letters of the breaker catalog number and the first 5 numbers to find information such as trip curves, accessories, and dimensional details regarding the circuit breaker.

*If the catalog number starts with "N", skip the N and begin your search with the second letter.

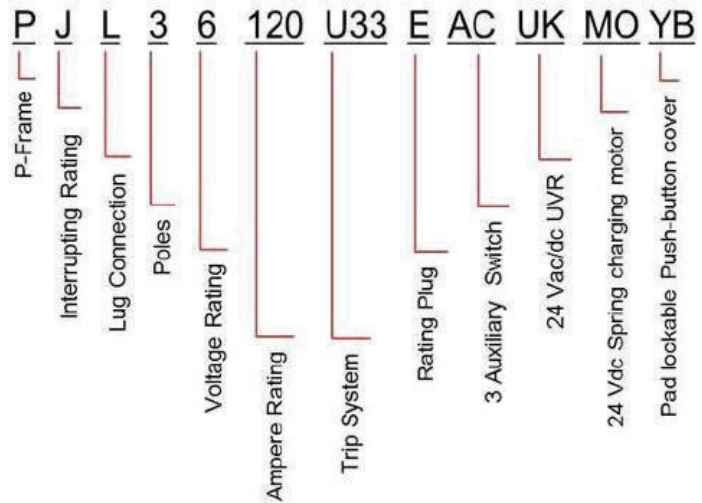
*If the first 3 letters are "PJP," the search will not work. You will need to start with just "PJ" and use the description pages to obtain the information you are looking for on the "PJP."

Example

After finding your circuit breaker catalog number to be "PJL36120U33EACUKMOYB," navigate to the P-frame catalog by using the link provided.

Look at pages 16-17 of the pdf catalog to find the nomenclature of the breaker.

Search the P-frame spec sheet using the search "PJL36120."



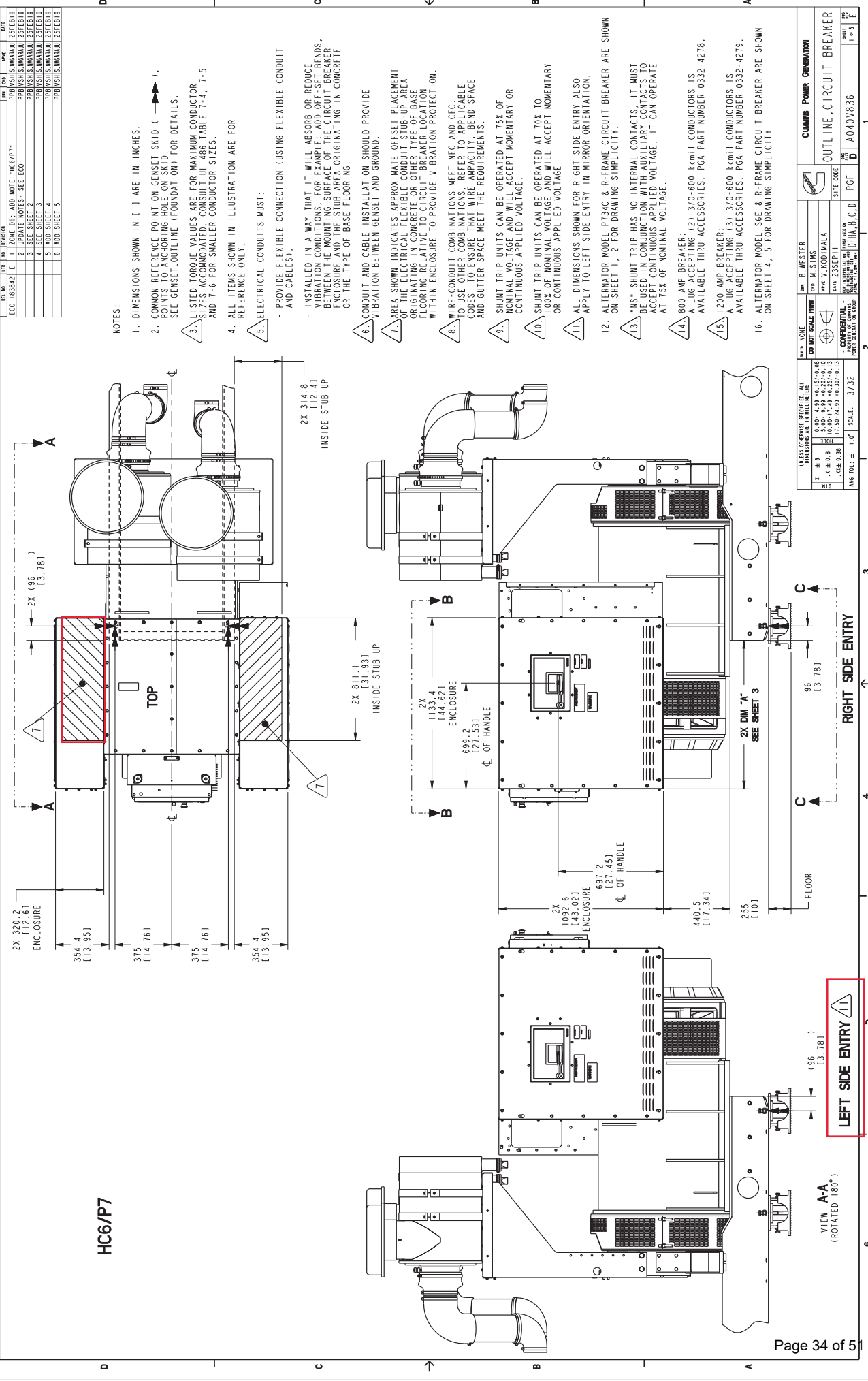
The following link is another way to decode the Schneider products

https://www.productinfo.schneider-electric.com/portals/ui/digest/viewer/561d5d65e4b0c5c41a243bf2/561d5f9ae4b0c5c41a24480c/r/17707021_83351#_17707021_83351

For decoding the ABB breakers, see the decoder sheet, titled "T8 Catalog number explanation"

Mechanically operated breakers							
Feature Code	Breaker box description	Cummins part #	Engine	Manufacturer	Breaker catalog number	Trip unit	Plug type
KP82-2	CB-2500, Right, 3P, UL600, IEC 415, UL Serv Ent, 100%	0320-2164-01	QST30-G5, 30L, QSK50-G4, QSK50-G5, QSK50-G7, QSK60-G6, QSK60-G11 QSK60-G14, QSK60-G18	Schneider Electric	RLF36250U31F	MicroLogic 3.0 LI	F
		A054K364	OSK19-G8, QSK23-G7		RLF36250U33F	MicroLogic 5.0 LSI	
KP83-2	CB-2500A, Left, 3P, 600, IEC 415, UL Serv Ent, 100%	0320-2164-01	QST30-G5, 30L, QSK50-G4, QSK50-G5, QSK50-G7, QSK60-G6, QSK60-G11 QSK60-G14, QSK60-G18	Schneider Electric	RLF36250U31F	MicroLogic 3.0 LI	F
		A054K364	OSK19-G8, QSK23-G7		RLF36250U33F	MicroLogic 5.0 LSI	
KP84-2	CB-2000, Right, 3P, UL 600, IEC 415, UL Serv Ent 100%	0320-2164-02	QST30-G5, 30L, QSK50-G4, QSK50-G5, QSK50-G7, QSK60-G6, QSK60-G11 QSK60-G14, QSK60-G18	Schneider Electric	RLF36200U31F	MicroLogic 3.0 LI	F
		A054K366	OSK19-G8, QSK23-G7		RLF36200U33F	MicroLogic 5.0 LSI	
KP85-2	CB-2000, Left, 3P, UL 600, IEC 415, UL Serv Ent, 100%	0320-2164-02	QST30-G5, 30L, QSK50-G4, QSK50-G5, QSK50-G7, QSK60-G6, QSK60-G11 QSK60-G14, QSK60-G18	Schneider Electric	RLF36200U31F	MicroLogic 3.0 LI	F
		A054K366	OSK19-G8, QSK23-G7		RLF36200U33F	MicroLogic 5.0 LSI	
KP86-2	CB-1600A, Right, 3P, UL 600, IEC 415, UL Serv Ent 100%	0320-2164-03	QST30-G5, 30L, QSK50-G4, QSK50-G5, QSK50-G7, 50L, 60L, QSK60-G6, QSK60-G11 QSK60-G14, QSK60-G18	Schneider Electric	RLF36160U31F	MicroLogic 3.0 LI	F
		A054K368	OSK19-G8, QSK23-G7		RLF36160U33F	MicroLogic 5.0 LSI	
KP87-2	CB-1600, Left, 3P, UL 600, IEC 415, UL Serv Ent 100%	0320-2164-03	QST30-G5, 30L, QSK50-G4, QSK50-G5, QSK50-G7, QSK60-G6, QSK60-G11 QSK60-G14, QSK60-G18	Schneider Electric	RLF36160U31F	MicroLogic 3.0 LI	F
		A054K368	OSK19-G8, QSK23-G7		RLF36160U33F	MicroLogic 5.0 LSI	
KP88-2	CB-1200, Right, 3P, UL 600, IEC 415, UL Serv Ent, 100%	0320-2183	QST30-G5, 30L, QSK50-G4, QSK50-G5, QSK50-G7, QSK60-G6, QSK60-G11 QSK60-G14, QSK60-G18	Schneider Electric	PJP36120U31E	MicroLogic 3.0 LI	E
		A054K408	OSK19-G8, QSK23-G7		PJP36120U33F	MicroLogic 5.0 LSI	
KP89-2	CB-1200, Left, 3P, UL 600, IEC 415, UL Serv Ent, 100%	0320-2183	QST30-G5, 30L, QSK50-G4, QSK50-G5, QSK50-G7, QSK60-G6, QSK60-G11 QSK60-G14, QSK60-G18	Schneider Electric	PJP36120U31E	MicroLogic 3.0 LI	E
		A054K408	OSK19-G8, QSK23-G7		PJP36120U33F	MicroLogic 5.0 LSI	
KP90-2	CB-800A, Right, 3P, UL 600, IEC 415, UL Serv Ent 100%	0320-2182	QST30-G5, 30L, QSK50-G4, QSK50-G5, QSK50-G7, QSK60-G6, QSK60-G11 QSK60-G14, QSK60-G18	Schneider Electric	PJP36080U31F	MicroLogic 3.0 LI	F
		A054K405	OSK19-G8, QSK23-G7		PJP36080U33F	MicroLogic 5.0 LSI	
KP91-2	CB-800A, Left, 3P, UL 600, IEC 415, UL Serv Ent, 100%	0320-2182	QST30-G5, 30L, QSK50-G4, QSK50-G5, QSK50-G7, QSK60-G6, QSK60-G11 QSK60-G14, QSK60-G18	Schneider Electric	PJP36080U31F	MicroLogic 3.0 LI	F
		A054K405	OSK19-G8, QSK23-G7		PJP36080U33F	MicroLogic 5.0 LSI	
KP92-2	CB-600A, Right, 3P, UL 600, IEC 690, UL Serv Ent 100%	A044T468	OSK19-G8, QSK23-G7, 30L, QSK50-G4, QSK50-G5, QSK50-G7, QSK60-G6, QSK60-G11 QSK60-G14, QSK60-G18	Schneider Electric	NLGL36600U33X-600A	MicroLogic 3.3S LSI	N/A
KP93-2	CB-600A, Left, 3P, UL 600, IEC 690, UL Serv Ent, 100%	A044T468	OSK19-G8, QSK23-G7, 30L, QSK50-G4, QSK50-G5, QSK50-G7, QSK60-G6, QSK60-G11 QSK60-G14, QSK60-G18	Schneider Electric	NLGL36600U33X-600A	MicroLogic 3.3S LSI	N/A
KU62-2	CB-3000A, 3P, 600/690V, UL/IEC, ServEnt, 100%UL, Right	A029B150	QSK50-G5, QSK50-G7, QSK60-G6, QSK60-G11 QSK60-G14, QSK60-G18	Schneider Electric	RLF36300U31A	MicroLogic 3.0 LI	F
KU68-2	CB-3000A, 3P, 600/690V, UL/IEC, ServEnt, 100%UL, Left	A029B150	QSK50-G5, QSK50-G7, QSK60-G6, QSK60-G11 QSK60-G14, QSK60-G18	Schneider Electric	RLF36300U31A	MicroLogic 3.0 LI	F

HC6/P7



REV. NO.	DATE	BY	CHKD.	DESCRIPTION
ECO-183842 E	11/01/2018	DB	MS	1. IZONE DB - ADD NOTE "HC6/P7"
P734C/S. MGRALJI	25/01/19			2. UPDATE NOTES - SEE ECO
P734C/S. MGRALJI	25/01/19			3. SEE SHEET 2
P734C/S. MGRALJI	25/01/19			4. SEE SHEET 3
P734C/S. MGRALJI	25/01/19			5. SEE SHEET 4
P734C/S. MGRALJI	25/01/19			6. ADD SHEET 5

UNIT	CONVERSION FACTOR
IN	25.4
MM	0.03937
FT	0.3048
M	0.0009144
YD	0.9144
CM	0.010936
METER	1.0936

UNIT	CONVERSION FACTOR
IN	25.4
MM	0.03937
FT	0.3048
M	0.0009144
YD	0.9144
CM	0.010936
METER	1.0936

UNIT	CONVERSION FACTOR
IN	25.4
MM	0.03937
FT	0.3048
M	0.0009144
YD	0.9144
CM	0.010936
METER	1.0936

UNIT	CONVERSION FACTOR
IN	25.4
MM	0.03937
FT	0.3048
M	0.0009144
YD	0.9144
CM	0.010936
METER	1.0936

UNIT	CONVERSION FACTOR
IN	25.4
MM	0.03937
FT	0.3048
M	0.0009144
YD	0.9144
CM	0.010936
METER	1.0936

UNIT	CONVERSION FACTOR
IN	25.4
MM	0.03937
FT	0.3048
M	0.0009144
YD	0.9144
CM	0.010936
METER	1.0936

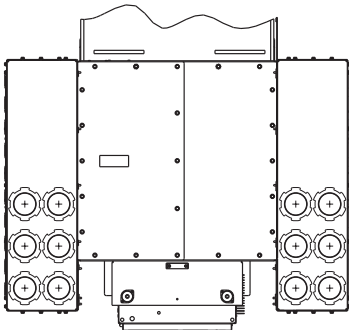
UNIT	CONVERSION FACTOR
IN	25.4
MM	0.03937
FT	0.3048
M	0.0009144
YD	0.9144
CM	0.010936
METER	1.0936

UNIT	CONVERSION FACTOR
IN	25.4
MM	0.03937
FT	0.3048
M	0.0009144
YD	0.9144
CM	0.010936
METER	1.0936

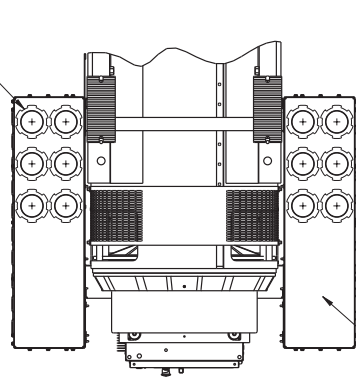
UNIT	CONVERSION FACTOR
IN	25.4
MM	0.03937
FT	0.3048
M	0.0009144
YD	0.9144
CM	0.010936
METER	1.0936

UNIT	CONVERSION FACTOR
IN	25.4
MM	0.03937
FT	0.3048
M	0.0009144
YD	0.9144
CM	0.010936
METER	1.0936

HC6/P7

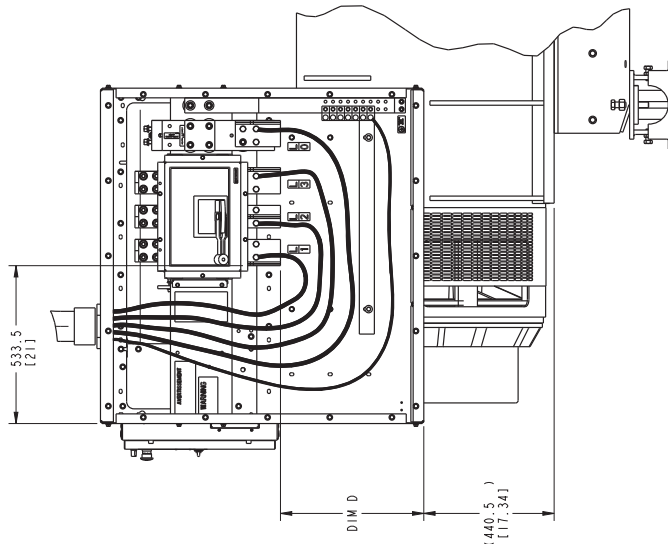


VIEW B-B
TOP ENTRANCE
SCALE 3/32

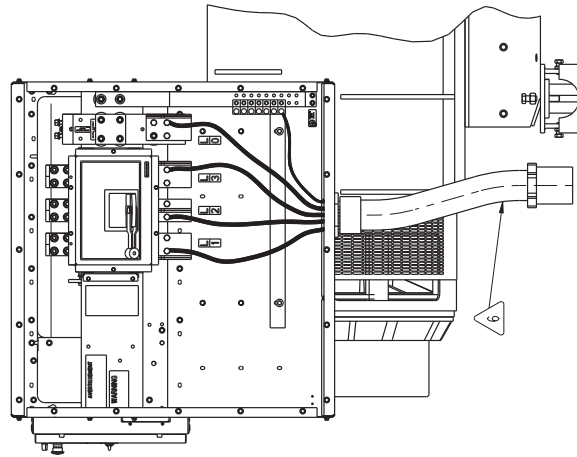


VIEW C-C
BOTTOM ENTRANCE
SCALE 3/32

BOTTOM OF CIRCUIT-BREAKER BOX



RIGHT SIDE
TOP ENTRY ROUTING EXAMPLE
SCALE 1/8



RIGHT SIDE
BOTTOM ENTRY ROUTING EXAMPLE
SCALE 1/8

UNIT	SCALE
1" = 3.3'	0.00' - 4.99' = 0.157' - 0.08
1/2" = 0.8'	0.00' - 1.99' = 0.257' - 0.13
3/4" = 0.38'	1.50' - 2.49' = 0.307' - 0.13
ANG. 100: = 1.0"	SCALE: 3/164

DESIGNER	B. WESTER
CHECKED	M. SIMS
DATE	2.3.2011
PROJECT	OUTLINE, CUMMINS POWER GENERATION
FIGURE	A040V836
SHEET	5
TOTAL SHEETS	5

CD NOT SCALE PRINT	CONVENTIONAL
PROTECT FROM UNAUTHORIZED REVISIONS	PROTECT FROM UNAUTHORIZED REVISIONS
DATE	DATE
BY	BY
APP. NO.	APP. NO.
SCALE	SCALE
PROJECT	PROJECT
FIGURE	FIGURE
SHEET	SHEET
TOTAL SHEETS	TOTAL SHEETS

TABLE 1

LUG		UL/IEC LUGS				ACCESSORY SPECIFICATIONS			
FRAME	MAX AMPS	WIRE RANGE COPPER	DIM D ±25 [1.0]	ACCESSORY DESCRIPTION	CONTACT RATING	INRUSH	CONNECTION TYPE		
SQUARE D NSJ	400A 3 OR 4 POLE	#2-600 KCMIL	554 [21.8]	24 VDC SHUNT TRIP	-----	10A Δ 10	COMPRESSION TERMINALS #20-16 AWG OR SMALLER TORQUE: 10 LB-IN		
SQUARE D W/MICROLOGIC 3.0 TRIP UNIT	600A 3-POLE	2/0-350 KCMIL	554 [21.8]	1 EA. FORM C 1 AUX CONTACT + 1 TRIP ALARM	6A AT 240 VAC, 6A AT 480 VAC, 3A AT 600 VAC, 2.5A AT 48 VDC, 0.8A AT 125VDC, 0.3A AT 250 VDC	10A Δ 10	COMPRESSION TERMINALS #20-16 AWG OR SMALLER TORQUE: 10 LB-IN		
SQUARE D W/MICROLOGIC 3.0 TRIP UNIT	800A 3-POLE	3/0-500 KCMIL	599 [23.5]	24 VDC SHUNT TRIP	-----	200VA Δ 10	COMPRESSION TERMINALS FOR 1 OR 2 #18-14 AWG, TORQUE: 10 LB-IN		
SQUARE D P 1200 W/MICROLOGIC 3.0 TRIP UNIT	1200A 3-POLE	3/0-500 KCMIL	556 [21.8]	1 EA. FORM C 1 AUX CONTACT + 1 TRIP ALARM	6A AT 240 VAC, 6A AT 480 VAC, 3A AT 600 VAC, 2.5A AT 48 VDC, 0.8A AT 125VDC, 0.3A AT 250 VDC	-----	COMPRESSION TERMINALS FOR 1 OR 2 #18-16 AWG, TORQUE: 10 LB-IN		
SQUARE D R 2500/2000/1600 1600-2500 AMP BUSHINGS STANDARD W/MICROLOGIC 3.0 TRIP UNIT	490	NEMA HOLE PATTERN	490 [19]	24 VDC SHUNT TRIP	-----	200VA Δ 10	COMPRESSION TERMINALS FOR 1 OR 2 #18-14 AWG, TORQUE: 10 LB-IN		
R 2500/2000/1600 W/OPTIONAL LUG BREAKERS [42 Nm] TORQUE 375 IN LBS	490 [19]	#2-600 KCMIL	490 [19]	1 EA. FORM C 4 AUX CONTACT + 1 TRIP ALARM	6A AT 240 VAC, 6A AT 480 VAC, 3A AT 600 VAC, 2.5A AT 48 VDC, 0.8A AT 125VDC, 0.3A AT 250 VDC	-----	COMPRESSION TERMINALS FOR 1 OR 2 #18-16 AWG, TORQUE: 10 LB-IN		

TABLE 2

TYPICAL CONDUIT AND WIRE SIZE BASED ON NEC 2008, ARTICLE 310.15 AT 75C TEMPERATURE RATED CONDUCTOR AT 30C AMBIENT AND ANNEX C

MAX BRKR AMPS	WIRE (COPPER)		CABLE AMPACITY	TOTAL NUMBER OF CONDUITS	
	QTY	SIZE		QTY	SIZE (IN INCHES)
2500	6	600 KCMIL	420	6	4
2000	5	600 KCMIL	420	5	4
1600	5	600 KCMIL	420	5	4
1200	3	500 KCMIL	385	3	3
1000	3	400 KCMIL	335	3	3
800	2	300 KCMIL	285	2	3
630	2	350 KCMIL	310	2	3
400	2	350 KCMIL	310	2	3
600	1	600 KCMIL	420	1	4
250	1	250 KCMIL	255	1	2 1/2
100	1	2 KCMIL	115	1	2

TYPICAL CONDUIT AND WIRE SIZE BASED ON NEC 2008, ARTICLE 310.15 AND TABLE 310.16 AT 75C TEMPERATURE RATED CONDUCTOR AT 40C AMBIENT AND ANNEX C

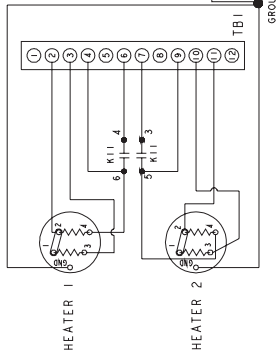
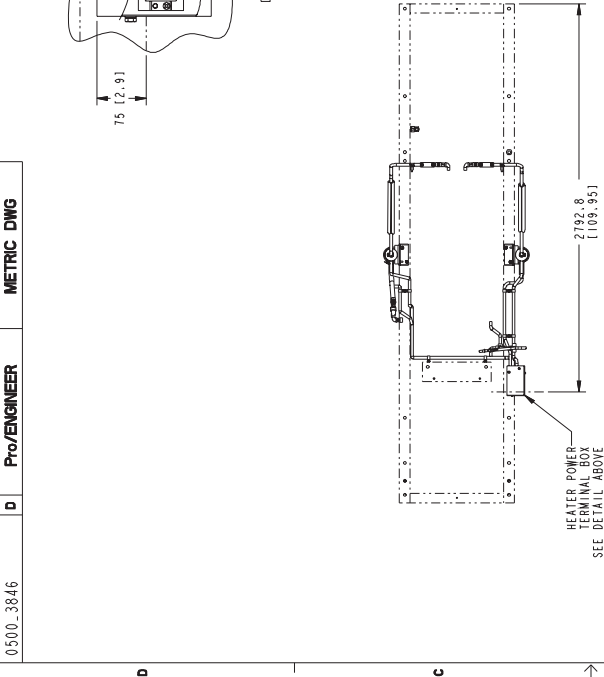
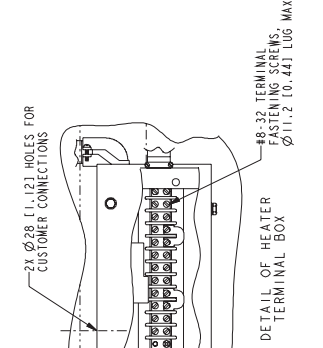
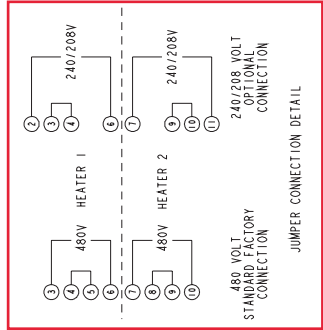
TABLE 3

GENSET MODEL	ALTERNATOR MODEL		DIM "A"
	QTY	SIZE	
<input type="checkbox"/> HC634G	418	6	554 [21.8]
<input type="checkbox"/> HC634H	405	5	554 [21.8]
<input type="checkbox"/> HC634J	405	4	654 [25.7]
<input type="checkbox"/> HC634K	755	4	755 [29.72]
<input type="checkbox"/> P734B	746	4	746 [29.37]
<input type="checkbox"/> P734C	746	3	746 [29.37]
<input type="checkbox"/> S60	528	3	528 [20.77]
<input type="checkbox"/> S6E	648	3	648 [24.49]
<input type="checkbox"/> S6F			

TABLE 4

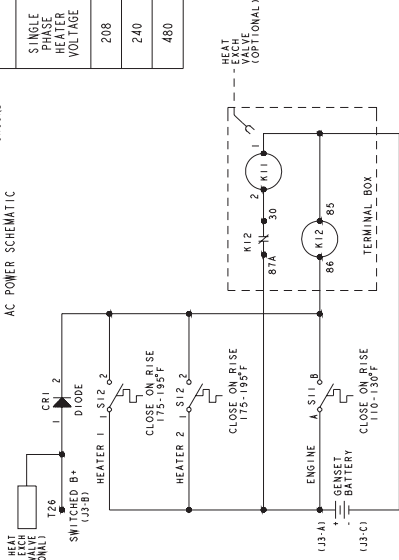
WIRE SIZE (AWG)	WIRE SIZE (MM ²)	WIRE TYPE	WIRE COLOR	WIRE LENGTH (FT)	WIRE LENGTH (M)
1	83	0.00-4.99	0.157-0.08	1.57	0.48
2	33	0.00-1.99	0.257-0.13	1.57	0.48
3	17	0.00-0.99	0.357-0.18	1.57	0.48
4	11	0.00-0.49	0.457-0.23	1.57	0.48
5	7	0.00-0.24	0.557-0.28	1.57	0.48
6	4	0.00-0.12	0.657-0.34	1.57	0.48
7	3	0.00-0.07	0.757-0.39	1.57	0.48
8	2	0.00-0.04	0.857-0.44	1.57	0.48
9	1	0.00-0.02	0.957-0.49	1.57	0.48
10	1	0.00-0.01	1.057-0.54	1.57	0.48
11	1	0.00-0.01	1.157-0.59	1.57	0.48
12	1	0.00-0.01	1.257-0.64	1.57	0.48
13	1	0.00-0.01	1.357-0.69	1.57	0.48
14	1	0.00-0.01	1.457-0.74	1.57	0.48
15	1	0.00-0.01	1.557-0.79	1.57	0.48
16	1	0.00-0.01	1.657-0.84	1.57	0.48
17	1	0.00-0.01	1.757-0.89	1.57	0.48
18	1	0.00-0.01	1.857-0.94	1.57	0.48
19	1	0.00-0.01	1.957-0.99	1.57	0.48
20	1	0.00-0.01	2.057-1.04	1.57	0.48
21	1	0.00-0.01	2.157-1.09	1.57	0.48
22	1	0.00-0.01	2.257-1.14	1.57	0.48
23	1	0.00-0.01	2.357-1.19	1.57	0.48
24	1	0.00-0.01	2.457-1.24	1.57	0.48
25	1	0.00-0.01	2.557-1.29	1.57	0.48
26	1	0.00-0.01	2.657-1.34	1.57	0.48
27	1	0.00-0.01	2.757-1.39	1.57	0.48
28	1	0.00-0.01	2.857-1.44	1.57	0.48
29	1	0.00-0.01	2.957-1.49	1.57	0.48
30	1	0.00-0.01	3.057-1.54	1.57	0.48
31	1	0.00-0.01	3.157-1.59	1.57	0.48
32	1	0.00-0.01	3.257-1.64	1.57	0.48
33	1	0.00-0.01	3.357-1.69	1.57	0.48
34	1	0.00-0.01	3.457-1.74	1.57	0.48
35	1	0.00-0.01	3.557-1.79	1.57	0.48
36	1	0.00-0.01	3.657-1.84	1.57	0.48
37	1	0.00-0.01	3.757-1.89	1.57	0.48
38	1	0.00-0.01	3.857-1.94	1.57	0.48
39	1	0.00-0.01	3.957-1.99	1.57	0.48
40	1	0.00-0.01	4.057-2.04	1.57	0.48
41	1	0.00-0.01	4.157-2.09	1.57	0.48
42	1	0.00-0.01	4.257-2.14	1.57	0.48
43	1	0.00-0.01	4.357-2.19	1.57	0.48
44	1	0.00-0.01	4.457-2.24	1.57	0.48
45	1	0.00-0.01	4.557-2.29	1.57	0.48
46	1	0.00-0.01	4.657-2.34	1.57	0.48
47	1	0.00-0.01	4.757-2.39	1.57	0.48
48	1	0.00-0.01	4.857-2.44	1.57	0.48
49	1	0.00-0.01	4.957-2.49	1.57	0.48
50	1	0.00-0.01	5.057-2.54	1.57	0.48
51	1	0.00-0.01	5.157-2.59	1.57	0.48
52	1	0.00-0.01	5.257-2.64	1.57	0.48
53	1	0.00-0.01	5.357-2.69	1.57	0.48
54	1	0.00-0.01	5.457-2.74	1.57	0.48
55	1	0.00-0.01	5.557-2.79	1.57	0.48
56	1	0.00-0.01	5.657-2.84	1.57	0.48
57	1	0.00-0.01	5.757-2.89	1.57	0.48
58	1	0.00-0.01	5.857-2.94	1.57	0.48
59	1	0.00-0.01	5.957-2.99	1.57	0.48
60	1	0.00-0.01	6.057-3.04	1.57	0.48
61	1	0.00-0.01	6.157-3.09	1.57	0.48
62	1	0.00-0.01	6.257-3.14	1.57	0.48
63	1	0.00-0.01	6.357-3.19	1.57	0.48
64	1	0.00-0.01	6.457-3.24	1.57	0.48
65	1	0.00-0.01	6.557-3.29	1.57	0.48
66	1	0.00-0.01	6.657-3.34	1.57	0.48
67	1	0.00-0.01	6.757-3.39	1.57	0.48
68	1	0.00-0.01	6.857-3.44	1.57	0.48
69	1	0.00-0.01	6.957-3.49	1.57	0.48
70	1	0.00-0.01	7.057-3.54	1.57	0.48
71	1	0.00-0.01	7.157-3.59	1.57	0.48
72	1	0.00-0.01	7.257-3.64	1.57	0.48
73	1	0.00-0.01	7.357-3.69	1.57	0.48
74	1	0.00-0.01	7.457-3.74	1.57	0.48
75	1	0.00-0.01	7.557-3.79	1.57	0.48
76	1	0.00-0.01	7.657-3.84	1.57	0.48
77	1	0.00-0.01	7.757-3.89	1.57	0.48
78	1	0.00-0.01	7.857-3.94	1.57	0.48
79	1	0.00-0.01	7.957-3.99	1.57	0.48
80	1	0.00-0.01	8.057-4.04	1.57	0.48
81	1	0.00-0.01	8.157-4.09	1.57	0.48
82	1	0.00-0.01	8.257-4.14	1.57	0.48
83	1	0.00-0.01	8.357-4.19	1.57	0.48
84	1	0.00-0.01	8.457-4.24	1.57	0.48
85	1	0.00-0.01	8.557-4.29	1.57	0.48
86	1	0.00-0.01	8.657-4.34	1.57	0.48
87	1	0.00-0.01	8.757-4.39	1.57	0.48
88	1	0.00-0.01	8.857-4.44	1.57	0.48
89	1	0.00-0.01	8.957-4.49	1.57	0.48
90	1	0.00-0.01	9.057-4.54	1.57	0.48
91	1	0.00-0.01	9.157-4.59	1.57	0.48
92	1	0.00-0.01	9.257-4.64	1.57	0.48
93	1	0.00-0.01	9.357-4.69	1.57	0.48
94	1	0.00-0.01	9.457-4.74	1.57	0.48
95	1	0.00-0.01	9.557-4.79	1.57	0.48
96	1	0.00-0.01	9.657-4.84	1.57	0.48
97	1	0.00-0.01	9.757-4.89	1.57	0.48
98	1	0.00-0.01	9.857-4.94	1.57	0.48
99	1	0.00-0.01	9.957-4.99	1.57	0.48
100	1	0.00-0.01	10.057-5.04	1.57	0.48

REV. NO.	DATE	BY	DESCRIPTION	APP'D.	DATE
1	08/23/07	LB	ISSUE FOR MARELLI	LB	08/23/07
2	08/23/07	LB	ISSUE FOR MARELLI	LB	08/23/07



HEATER AMPERAGE TABLE

SINGLE PHASE HEATER VOLTAGE	FEATURE CODE H55		FEATURE CODE H55	
	HEATER AMPS	TOTAL WATTS	HEATER AMPS	TOTAL WATTS
208	18.0	36.0	7488	23.2
240	20.8	41.6	9884	26.75
480	10.4	20.8	9884	13.375
				26.75
				12840



- NOTES:
1. DIMENSIONS IN [] ARE INCHES.
 2. THE HEATER CONTROL RELAY DRAWS 83mA OF CURRENT WHEN THE HEATERS ARE UNPOWERED. HEATERS ARE NOT POWERED WHEN:
 - 1) TEMPERATURE REACHED DESIGN TEMPERATURE OR
 - 2) THE ENGINE IS RUNNING.

A BATTERY CHARGER IS REQUIRED TO PREVENT BATTERY DISCHARGE.

ITEM	PART NO.	DESCRIPTION OR MATERIAL
1	84-231-04	RELIER
2	84-244-04	RELIER
3	84-244-04	RELIER
4	84-244-04	RELIER
5	84-244-04	RELIER
6	84-244-04	RELIER
7	84-244-04	RELIER
8	84-244-04	RELIER
9	84-244-04	RELIER
10	84-244-04	RELIER
11	84-244-04	RELIER
12	84-244-04	RELIER
13	84-244-04	RELIER
14	84-244-04	RELIER
15	84-244-04	RELIER
16	84-244-04	RELIER
17	84-244-04	RELIER
18	84-244-04	RELIER
19	84-244-04	RELIER
20	84-244-04	RELIER
21	84-244-04	RELIER
22	84-244-04	RELIER
23	84-244-04	RELIER
24	84-244-04	RELIER
25	84-244-04	RELIER
26	84-244-04	RELIER
27	84-244-04	RELIER
28	84-244-04	RELIER
29	84-244-04	RELIER
30	84-244-04	RELIER
31	84-244-04	RELIER
32	84-244-04	RELIER
33	84-244-04	RELIER
34	84-244-04	RELIER
35	84-244-04	RELIER
36	84-244-04	RELIER
37	84-244-04	RELIER
38	84-244-04	RELIER
39	84-244-04	RELIER
40	84-244-04	RELIER
41	84-244-04	RELIER
42	84-244-04	RELIER
43	84-244-04	RELIER
44	84-244-04	RELIER
45	84-244-04	RELIER
46	84-244-04	RELIER
47	84-244-04	RELIER
48	84-244-04	RELIER
49	84-244-04	RELIER
50	84-244-04	RELIER
51	84-244-04	RELIER
52	84-244-04	RELIER
53	84-244-04	RELIER
54	84-244-04	RELIER
55	84-244-04	RELIER
56	84-244-04	RELIER
57	84-244-04	RELIER
58	84-244-04	RELIER
59	84-244-04	RELIER
60	84-244-04	RELIER
61	84-244-04	RELIER
62	84-244-04	RELIER
63	84-244-04	RELIER
64	84-244-04	RELIER
65	84-244-04	RELIER
66	84-244-04	RELIER
67	84-244-04	RELIER
68	84-244-04	RELIER
69	84-244-04	RELIER
70	84-244-04	RELIER
71	84-244-04	RELIER
72	84-244-04	RELIER
73	84-244-04	RELIER
74	84-244-04	RELIER
75	84-244-04	RELIER
76	84-244-04	RELIER
77	84-244-04	RELIER
78	84-244-04	RELIER
79	84-244-04	RELIER
80	84-244-04	RELIER
81	84-244-04	RELIER
82	84-244-04	RELIER
83	84-244-04	RELIER
84	84-244-04	RELIER
85	84-244-04	RELIER
86	84-244-04	RELIER
87	84-244-04	RELIER
88	84-244-04	RELIER
89	84-244-04	RELIER
90	84-244-04	RELIER
91	84-244-04	RELIER
92	84-244-04	RELIER
93	84-244-04	RELIER
94	84-244-04	RELIER
95	84-244-04	RELIER
96	84-244-04	RELIER
97	84-244-04	RELIER
98	84-244-04	RELIER
99	84-244-04	RELIER
100	84-244-04	RELIER



Enclosures and Tanks

250-1000 kW Gensets



Enclosure Standard Features

- 14-gauge steel construction (panels)
- Stainless steel hardware
- Zinc phosphate pretreatment, e-coat primer and super durable powder topcoat paint minimize corrosion and color fade
- Package listed to UL 2200
- Designed to satisfy national electrical code installation requirements
- Fuel and electrical stub-up area within enclosure perimeter
- Fixed louvers
- Cambered roof prevents water accumulation
- Recessed, lockable doors in two sides
- Retainers hold doors open for easy access
- Enclosed exhaust silencer ensures safety and protects against rust
- Rain cap
- Exterior oil and coolant drains with interior valves for ease of service
- Rodent barriers on inlet
- Non-hydroscopic sound attenuating material
- Side mounted controls and circuit breakers
- Easy access lifting points for spreader bars
- Dual vibration isolation system (250-500 kW)
- **Spring vibration isolation system (600-1000 kW)**
- Enclosure mounts to lifting base or fuel tank (250-500 kW)
- Enclosure mounts to lifting base (600-1000 kW)
- Factory pre-assembled package
- Designed for outdoor use only
- Externally mounted emergency stop button for operator safety (optional on 250-500 kW)
- Horizontal air discharge to prevent leaf and snow accumulation (600-1000 kW)

Options

- **Three levels of sound attenuation**
- Motorized louvers to protect from ice and snow accumulation (available on air inlet for all models and on air outlet on level II, 250-500 kW enclosures only)
- Horizontal air discharge, sound level 2 only (250-500 kW)
- Aluminium construction with roll-coated polymer paint
- Wind rated to 150 mph
- Neutral sandstone paint color
- Factory mounted battery charger
- External 120 VAC service outlet
- Rain hoods for air inlet (250-500 kW)
- Lifting base in lieu of a sub-base tank (250-500 kW)
 - Pre-wired AC distribution package
 - 100 amp (250-500 kW) or 150 amp (600-1000 kW) main circuit breaker; connected to 120 VAC Line-Neutral and 208 or 240 VAC Line-Line, spare breaker positions and capacity for future upgrades (600-1000 kW)
 - GFCI protected internal 120 VAC service receptacle
 - GFCI protected weather proof external 120 volt service receptacle
 - All factory installed AC powered features pre-wired into load center
- Interior lights – 120 volt (600-1000 kW)
- Rain hoods for air inlet (250-500 kW)
- Seismic isolators available (600-1000 kW)

Fuel Tanks

Standard sub-base tank features

- UL 142 Listed
- ULC-S601-07 Listed
- NFPA37 compliant
- Dual walled, steel construction
- Emergency tank and rupture basin vents
- Tank mounted mechanical fuel gauge
- Fuel supply and return tubes
- Top mounted leak detection float switch
- Low and high level fuel switches
- Mounting brackets for optional pump and control (250-500 kW)
- Integral lifting points

Sub-base tank options

- Pre-wired fuel pump and control
- **Fuel overfill alarm** – internal or external
- Overflow and tank fill plugs
- Five gallon spill fill box – internal or external
- Fill pipe extender
- Local code approvals available

200-500 kW Dual Wall Sub-base Fuel Tanks – usable operating hours

Genset model (60 Hz)	Gallons /hour at full load	270 gallon tank	300 gallon tank	400 gallon tank	500 gallon tank	600 gallon tank	660 gallon tank	720 gallon tank	850 gallon tank	1420 gallon tank	1470 gallon tank	1700 gallon tank	2050 gallon tank	2525 gallon tank
250 DQDAA	20	14	15	20	25	30	33	36		72	74		104	
275 DQDAB	21	13	14	19	24	29	31	34		66	70		96	
300 DQDAC	23	12	13	17	22	26	29	31		61	64		88	
300 DQHAB	23	12	13	17	22	26	29		37			74		
450 DFEJ	30	9	10	13	17	20	22		28			57		84
500 DFEK	34	8	9	11	15	18	19		25			50		74

Operating hours are measured at 60 Hz, standby rating.

600-1000 kW Dual Wall Sub-base Fuel Tanks – usable operating hours

Genset model	Gallons /hour at full load	200 gallon tank	660 gallon tank	1000 gallon tank	1500 gallon tank	2000 gallon tank	2400 gallon tank
600 DQCA	42	5	16	24	36	48	57
600 DQPAA	45	4	15	22	33	44	53
650 DQPAB	50	4	13	20	30	40	48
750 DQCB	51	4	13	20	29	39	47
750 DQFAA	53	4	12	19	28	38	45
800 DQCC	53	4	12	19	28	38	45
800 DQFAB	56	4	12	18	27	36	43
900 DQFAC	64	3	10	16	23	31	38
1000 DQFAD	72	3	9	14	21	28	33

*3000 gallon tank offered as an accessory kit – refer to NAAC-5853 spec sheet.

- Operating hours are measured at 60 Hz, standby rating.
- Up to 90% fill alarm to comply with NFPA30, operating capacity is reduced by 10%.

Enclosure Package Sound Pressure Levels @ 7 meters dB(A)

Genset model	Weather protective enclosure (F200, F203)	QuietSite level 1 sound attenuated enclosure (F201, F204)	QuietSite level 2 sound attenuated enclosure (F202, F205)
250 DQDAA	90	88	72
275 DQDAB	90	88	73
300 DQDAC	90	88	73
300 DQHAB	89	88	76
450 DFEJ	88	85	74
500 DFEK	89	87	73
600 DQCA	90.6/86*	79.3/78*	74.1/73*
600 DQPAA	89.10	80.70	74.70
650 DQPAB	89.70	81.40	75
750 DQCB	91.1/87*	79.9/79*	75.3/74*
750 DQFAA	87.8	77.8	73.8
800 DQCC	91.3/87*	80.2/79*	75.7/74*
800 DQFAB	88.1	78.3	74
900 DQFAC	88.8	79.1	74.6
1000 DQFAD	89.6	80.1	75.3

- All data is 60 Hz, full load standby rating, steel enclosures only.
- Data is a measured average of 8 positions.
- Sound levels for aluminium enclosures are approximately 2 dB(A) higher than listed sound levels for steel enclosures.
- * Sound data with seismic feature codes L228-2 (IBC) and/or L225-2 (OSHPD)

Package Dimensions of Enclosure, Exhaust System, and UL Tank

250-500 kW

Tank size (gal)	Weather protective package length (in)	QuietSite level 1 package length (in)	QuietSite level 2 package length (in)	Width (in)	Height (in)	Weather protective package weight (lbs)	QuietSite level 1 package weight (lbs)	QuietSite level 2 package weight (lbs)
270	188	188	222	82	106	4991	5471	6711
300	188	188	222	82	104	5648	6073	6991
400	188	188	222	82	106	5833	6258	7176
500	188	188	222	82	108	5956	6381	7299
600	188	188	222	82	111	6116	6541	7459
660	188	188	222	82	113	6235	6660	7578
720	188	188	222	82	114	6174	6599	7517
850	188	188	222	82	118	6529	6954	7872
1420	200	200	222	82	128	6863	7343	8583
1470	192	192	222	82	128	7253	7733	8973
1700	234	234	234	82	128	7982	8407	9325
2050	284	284	284	82	128	8383	8863	10103
2525	346	346	346	82	128	9391	9871	11111
Lifting base	188	188	222	82	100	4335	4760	5678

600-1000 kW

Tank size (gal)	Weather protective package length (in)	QuietSite level 1 package length (in)	QuietSite level 2 package length (in)	Width (in)	Height (in)	Weather protective package weight (lbs)	QuietSite level 1 package weight (lbs)	QuietSite level 2 package weight (lbs)
200	260	303	315	98	137	10194	13074	14954
660	260	303	315	98	137	9586	12466	14346
1000	260	303	315	98	141	10117	12997	14877
1500	260	303	315	98	146	10677	13557	15437
2000	292	327	327	98	143	11959	14839	16719
2400	338	338	338	98	143	12961	15841	17721

- This weight does not include the generator set. Consult your local Cummins distributor or the appropriate generator specification sheet.

- Width is 86" lifting eye to lifting eye (250-500 kW), 102" lifting eye to lifting eye (600-1000 kW).
- Height - Florida, Michigan, and Suffolk add 6.4" (250-500 kW) or 2" (600-1000 kW) for bottom space.
- Maximum length emergency vent removed.

see below drawings for overall shipping weight and dimensions



CSA - The generator set is CSA certified to product class 4215-01.



UL - The generator set is available listed to UL 2200, stationary engine generator assemblies. The PowerCommand® control is listed to UL 508 - Category NITW7 for U.S. and Canadian usage.

For more information contact your local Cummins distributor or visit power.cummins.com

Our energy working for you.™



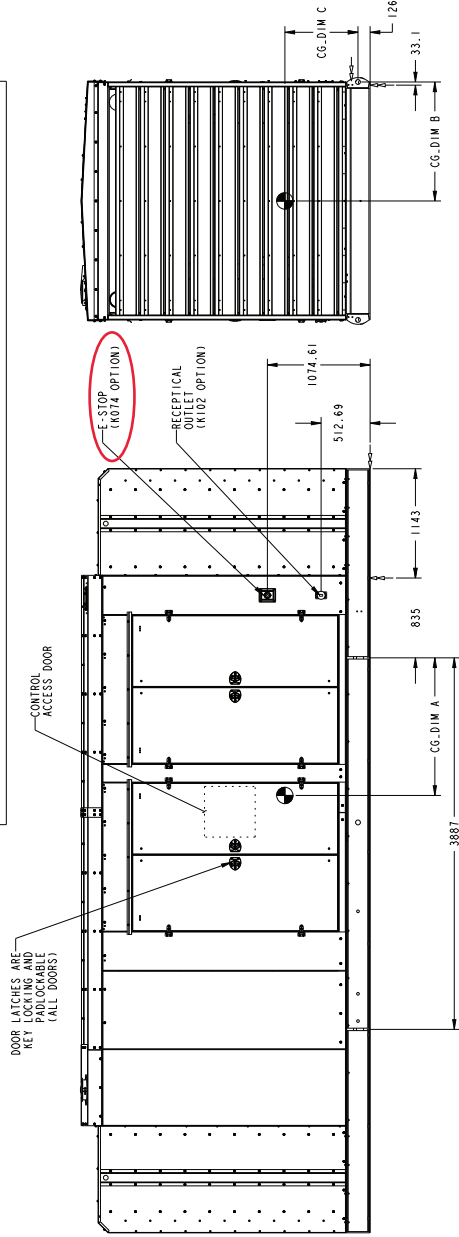
REFERENCE ONLY
see below drawings for overall shipping weight and dimensions

**FEATURE CODE
F202,F205
OPTIONAL FEATURE
CODE K074,K102**

- NOTES:
1. DIMENSIONS SHOWN IN () ARE INCHES.
 2. FOUNDATION REFERENCE POINT (---). SEE FOUNDATION DRAWING FOR DETAILS.

TABULATION		STEEL ENCLOSURE WEIGHT ±5%	ALUMINUM ENCLOSURE WEIGHT ±5%	CG-DIM "A"	CG-DIM "B"	CG-DIM "C"	DIM.D ±.75 (3)
WCGG	1233 (17202)	10884 (13094)	2038 (180.2)		846 (33.3)		
WCGW	1538 (17533)	1034 (12525)	203 (176.6)		845 (33.3)		
WCGJ	1284 (17823)	1148 (12825)	203 (176.6)		844 (33.2)		
WCGK	1231 (17823)	1142 (12823)	203 (180.9)		842 (33.2)		1529 [60]
WCG	1233 (17823)	10884 (12894)	203 (180.2)		846 (33.3)		
WCGE	1249 (17501)	9916 (12686)	202 (178.6)		845 (33.3)		1490 [59]
WCGF	1135 (12947)	1099 (12260)	2126 (83.1)		1051 (41.6)		
WCGG	1208 (12647)	1055 (12326)	200 (181.9)		1054 (41.5)		1599 [63]
WCGH	1231 (12727)	1062 (12341)	202 (180.8)		1053 (41.5)		
WCGI	1231 (12727)	10916 (12406)	202 (179.5)	1244.7 [49]	794 (31.3)		
WCGJ	1263 (12853)	11179 (12464)	205 (181.3)		791 (31.1)		
WCGK	1263 (12853)	1417 (12516)	201 (180.4)		788 (31.1)		1570 [62]
WCGL	1309 (12889)	1640 (12586)	207 (179.4)		787 (31.1)		
WCGM	1317 (12903)	1145 (12526)	209 (179.1)		786 (30.9)		1698 [67]
WCGN	1326 (12924)	1180 (12601)	190 (177.2)		784 (30.9)		
WCGO	1354 (12914)	1205 (12636)	194 (176.6)		784 (31.3)		
WCGP	1287 (12837)	1147 (12464)	205 (181.3)		791 (31.3)		1570 [62]
WCGQ	1287 (12837)	1147 (12464)	201 (180.4)		788 (31.1)		
WCGR	1309 (12889)	1640 (12586)	203 (180.4)		827 (32.6)		
WCGS	1137 (12543)	1082 (12226)	203 (180.4)		826 (32.5)		1438 [56.6]
WCGT	1168 (12592)	1075 (12236)	203 (181.1)		823 (32.4)		
WCGU	1184 (12617)	1039 (12290)	208 (181.9)				

*** WEIGHT & CG'S ARE SHOWN WITH F202 STEEL ENCLOSURE, AND STANDARD WET GENSET. ADDITION OF OTHER FEATURES MAY CHANGE THE WEIGHT.



Cummins Inc.

LAST DIMENSION LETTER USED: ---
MULTIPLICATION: THIS PART IS SIMILAR TO: 0000-4147
UNLESS OTHERWISE SPECIFIED, THE FOLLOWING SHALL APPLY: FINISH: ---
WALL THICKNESS: ---
DRAUGHT ANGLE: ---
EDGE RADIUS: ---
Fillet Radii: ---
DIMENSIONAL TOLERANCES: ---
DIMENSIONS ARE IN MILLIMETERS UNLESS OTHERWISE SPECIFIED

ASME Y14.5-2009

CG-DIM A
CG-DIM B
CG-DIM C

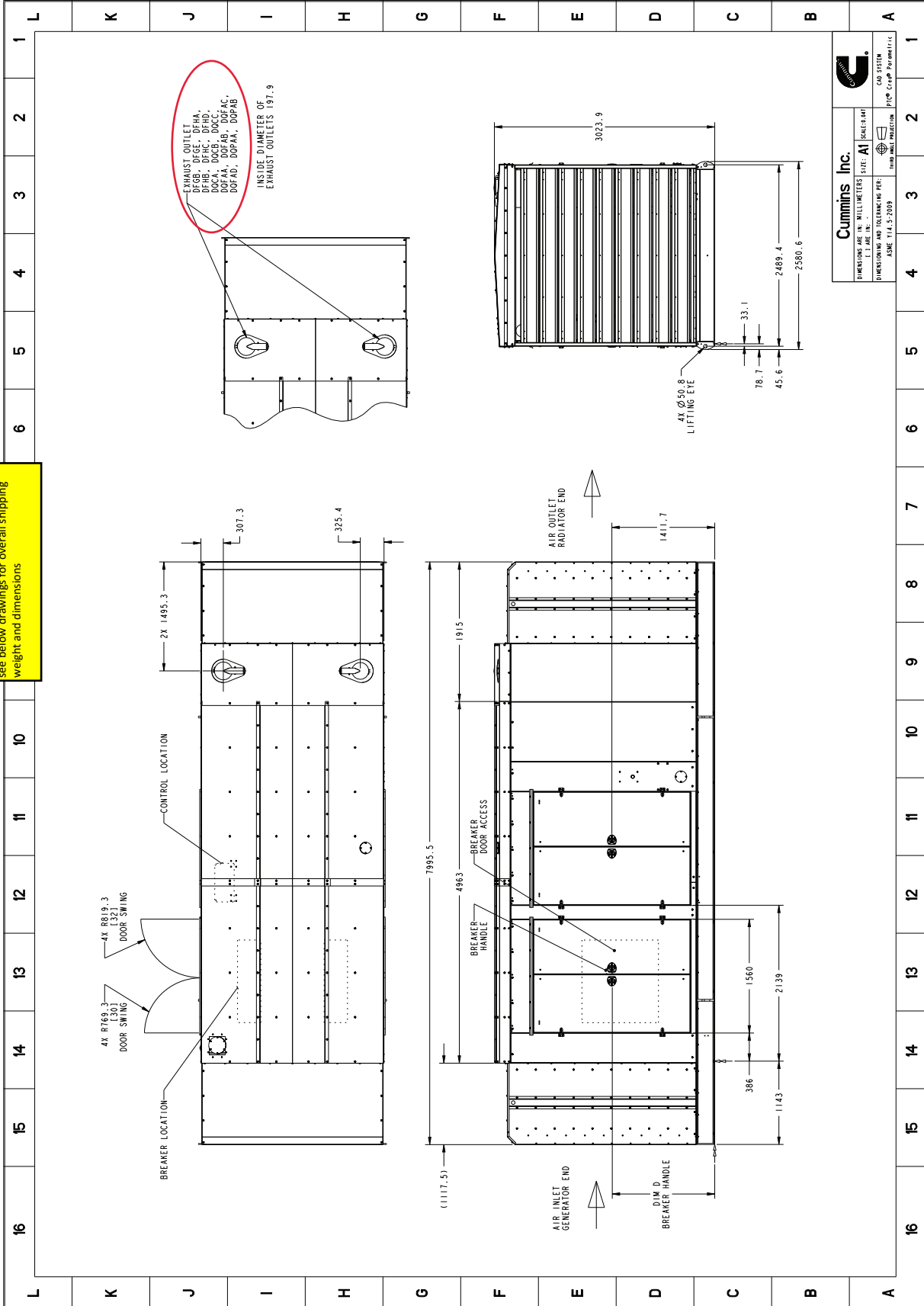
ASME Y14.5-2009

Part Number: **A034L228** Part Revision: **F**
 Part Name: **OUTLINE, ENCLOSURE**
 Drawing Category: **Detail State: Released** Sheet 1 of 3

This document (and the information shown thereon) is **Confidential and Proprietary** and shall not be disclosed to others in hard copy or electronic form, reproduced by any means, or used for any purpose without written consent of Cummins Inc.

Cummins Data Classification: **Cummins Confidential**

REFERENCE ONLY
see below drawings for overall shipping weight and dimensions



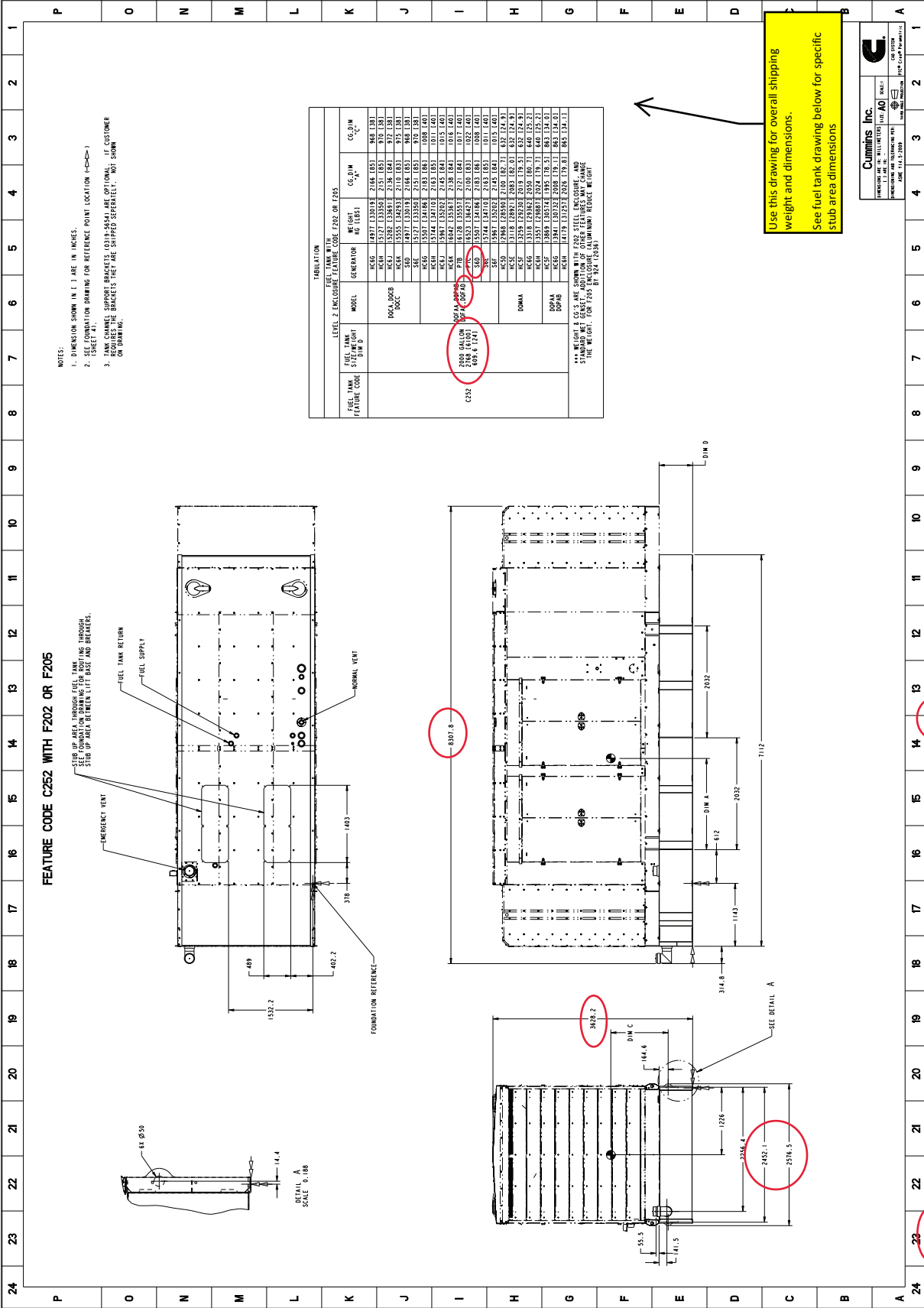
Cummins Inc.

DIMENSIONS ARE IN MILLIMETERS SIZE: A1 (SCALE: 1:1)
 DIMENSIONAL TOLERANCING PER: ASME Y14.5-2009
 DRAWING PRODUCTION:

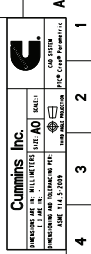
Part Number: **A034L228** Part Revision: **F**
 Part Name: **OUTLINE, ENCLOSURE**
 Drawing Category: **Detail** State: **Released** Sheet 2 of 3

This document (and the information shown therein) is **Confidential and Proprietary** and shall not be disclosed to others in hard copy or electronic form, reproduced by any means, or used for any purpose without written consent of Cummins Inc.

Cummins Data Classification: **Cummins Confidential**



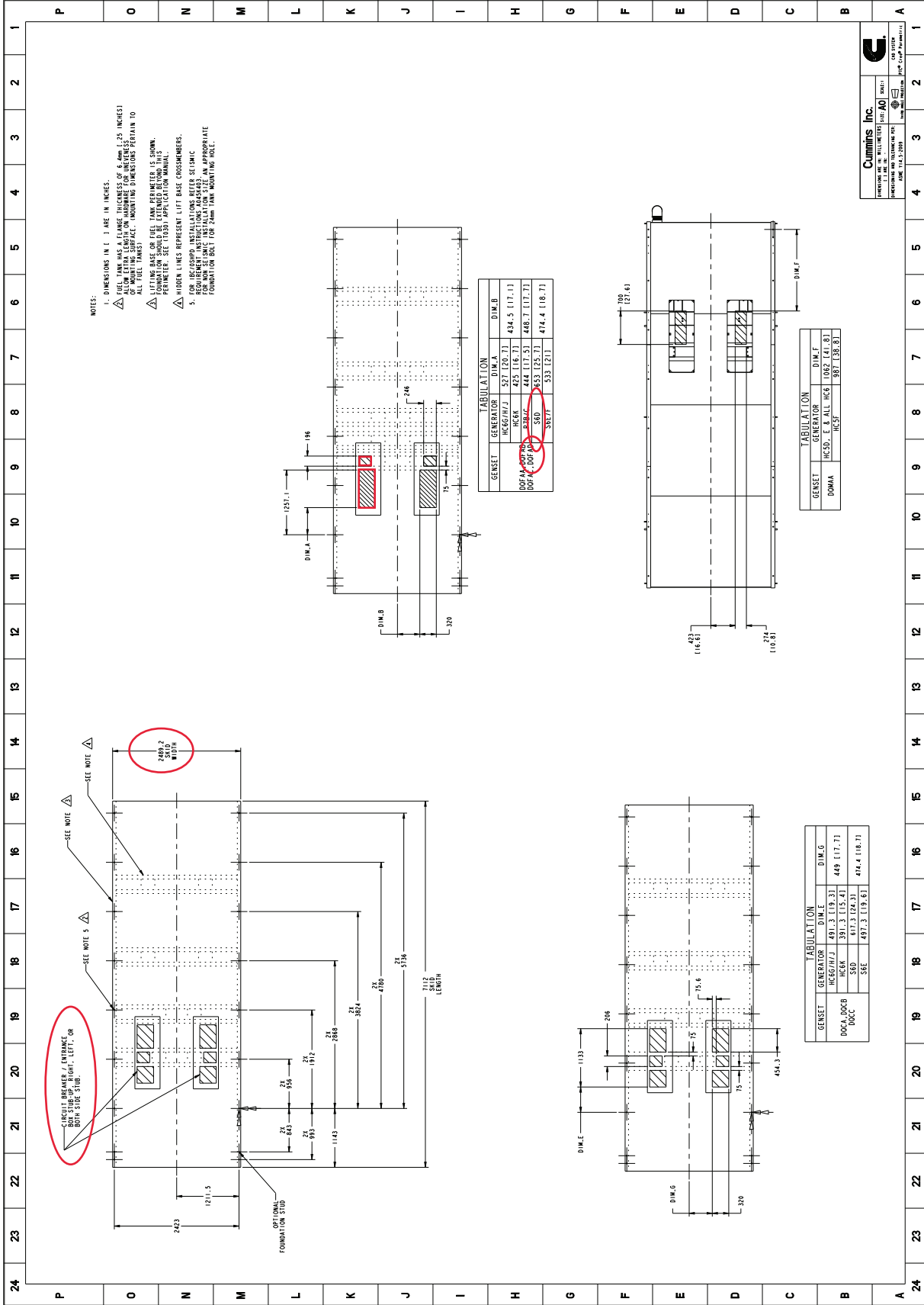
Use this drawing for overall shipping weight and dimensions.
See fuel tank drawing below for specific stub area dimensions



Part Number: **A035H278** Part Revision: **G**
Part Name: **OUTLINE, FUEL SYSTEM**
Drawing Category: **Detail State: Released** Sheet 3 of 6

This document (and the information shown therein) is **Confidential and Proprietary** and shall not be disclosed to others in hard copy or electronic form, reproduced by any means, or used for any purpose without written consent of Cummins Inc.

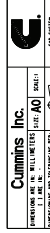
Cummins Data Classification: **Cummins Internal Use Only**



Part Number: **A035H278** Part Revision: **G**
 Part Name: **OUTLINE, FUEL SYSTEM**
 Drawing Category: **Detail** State: **Released** Sheet 4 of 6

This document (and the information shown therein) is **Confidential and Proprietary** and shall not be disclosed to others in hard copy or electronic form, reproduced by any means, or used for any purpose without written consent of Cummins Inc.

Cummins Data Classification: **Cummins Internal Use Only**



Battery Charger

A048G602 10A 50/60 Hz

A051H785 20A 50/60 Hz



Description

Cummins Power Generation fully automatic battery chargers are constant voltage/constant current chargers incorporating a 4-stage charging algorithm. Designed for use in applications where battery life and reliability are important; these chargers, complete with built-in equalize charge capability, are ideal for stationary or portable starting battery charging service.

To achieve optimum battery life, a 4-stage charging cycle is implemented. The four charging stages are constant current, high-rate taper charge, finishing charge, and maintaining charge. During the constant current cycle the charger operates at maximum possible output in the fast charge mode. During the high-rate taper charge cycle the charger stays at fast charge voltage level until battery current acceptance falls to a portion of the charger rated output. During the finishing charge cycle the charger operates at the float voltage and completes the battery charge. During the maintaining charge cycle the charger supplies only a few milliamps required by the battery to stay at peak capability.

An optional temperature sensor (**A043D534**) may be used to adjust charging voltage based on temperature of the battery. Use of a battery temperature sensor helps to increase battery life by preventing over or under charging. The battery temperature sensor also protects the battery from overheating. Temperature compensation sensor is required for all applications when battery charger and battery are located in different temperature or battery heater is being used.

Battery chargers are field-configurable for charging either 12 or 24 VDC battery systems at 50/60 Hz operation. Simple jumper selectors enable selection of output voltage and battery type.

Features

Protection – Surge protected to IEEE and EN standards. All models include single pole cartridge type fuses mounted on the printed circuit board to protect against input or output overcurrent.

Easy installation – Clearly marked terminal blocks and panel knockouts provide convenient connections of input and output leads.

User display – Output voltage and current, fault information and status are indicated on the front panel. Includes precision ammeter and voltmeter.

Monitoring – Status LED indicators are provided to show the condition of the charger. LED's on the right side of the monitor indicate operational functions for Temperature Compensation active (Green), AC on (Green), Float (Green) or Boost (Amber) mode, as well as Battery Fault (Red). LED's on the left side of the monitor illuminate (in Red) when Charger fail, High or Low VDC or AC fail occur.

Adjustable float voltage – Float voltage can be set, using easy to understand jumpers, for optimum battery performance and life.

Construction – NEMA-1 (IP20) corrosion resistant aluminum enclosure designed for wall mounting.

Faults – The charger senses and annunciates the following fault conditions: AC power loss, battery overvoltage, battery under voltage, battery fault conditions and charger failure. Includes an individual 30 volt/2 amp isolated contact for each alarm.

Vibration resistant design – complies with UL991 class B vibration resistance requirements.

Listed – C-UL listed to UL 1236 CSA standard 22.2 No 107.2-M89. Suited for flooded and AGM lead acid and NiCd batteries in generator set installations.

Warranty – 5 year CPG warranty.



Status and Fault LED



Field selectable jumper

Specifications

Performance and physical characteristics

Output:	Nominal voltage	12VDC* or 24VDC
	Float voltage– 12VDC batteries	12.87, 13.08, 13.31, 13.50*, 13.62, 14.30
	Float voltage– 24VDC batteries	25.74, 26.16, 26.62, 27.00*, 27.24, 28.60
	Equalize-voltage	6.5% above float voltage sensing
	Output voltage regulation	±0.5% (1/2%) line and load regulation
	Maximum output current	10 or 20 amps nominal
	Equalize charging	Battery interactive auto-boost
Input:	Voltage AC	120, 208, 240 ±10%
	Frequency	60/50 Hz ±5%
Approximate net weight:		10A: 25 lbs. (11.36 Kg) 20A: 50 lbs. (22.68 Kg)
Approximate dimensions: height x width x depth-in		10A: 12.50" x 7.66" x 6.50"(318x195x165 mm) 20A: 13.06" x 13.95" x 6.83"(332x354x173 mm)
Ambient temperature operation: At full rated output		- 4°F to 104 °F (-20 °C to 45 °C)

Note:

- Battery charger comes with default settings of 12VDC and 13.50/27.00VDC float voltage and can be changed to the battery manufacture recommendations. Replacement printed circuit board and fuses are identified in the Owner's Manual (10A: A050S537 and 20A: A051X126) which resides in Quick Serve On-Line. Service parts can be purchased through the Memphis Distribution Center. The PC board replacement instruction sheet (10A: A052N073, 20A: A053W929) and service manual (A050D829) is also available.
- Installation and application must comply with "section 4.5.3 batteries and battery charger" of application guide T-030 (Liquid Cooled Generator Set Application Manual A040S369).

Caution:

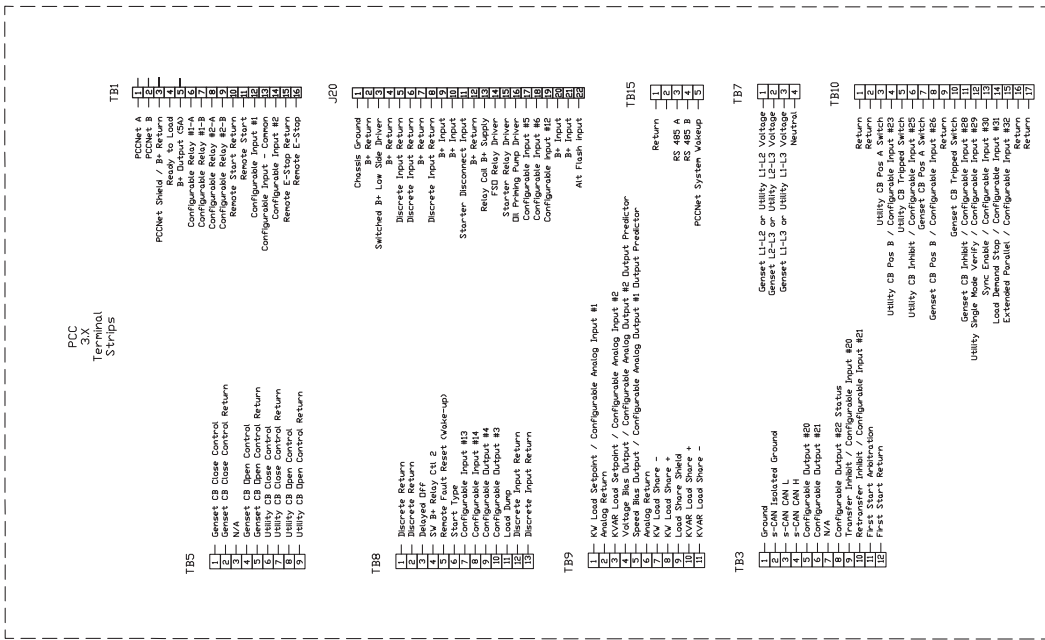
- Higher input voltages (i.e. 480VAC or 600VAC) can be applied if a transformer with a 120VAC-240VAC output is installed. Higher input voltages (i.e. 480VAC or 600VAC) can be applied if a transformer with a 120VAC-240VAC output is installed. For voltages higher than 240 VAC, step-down transformer must be used. Review the respective Owner/Installation manual A050S537 for 10Amp and A051X126 20A chargers for supplier recommended step-down transformer requirements.
- 10Amp battery charger is recommended for genset applications with 1 or 2 factory provided batteries. 20Amp battery charger is recommended for Cummins Genset applications with 3 or 4 factory provided batteries. Please consider the auxiliary DC loads connected to the genset batteries and size this charger as per the T-030 application guide to prevent misapplication issues.
- Back feed to a utility system can cause electrocution and/or property damage. Do not connect generator sets to any building electrical system except through an approved device or after building main switch is open.
- For professional use only. Must be installed by a qualified service technician. Improper installation presents hazards of electrical shock and improper operation, resulting in severe personal injury and/or property damage.
- Use this charger for charging LEAD-ACID or LIQUID ELECTROLYTE NICKEL-CADMIUM batteries only. Do not use this battery charger for charging dry cells, alkaline, lithium, nickel-metal hydride, or sealed nickel-cadmium batteries that are commonly used with home appliances. These batteries may burst and cause injuries to persons and damage to property.
- Do not parallel these battery chargers with any other charging system.

Americas
1400 73rd Avenue N.E.
Minneapolis, MN 55432 USA
Phone: 763 574 5000
Fax: 763 574 5298

Europe, CIS, Middle East and Africa
Manston Park Columbus Ave.
Manston Ramsgate
Kent CT 12 5BF United Kingdom
Phone 44 1843 255000
Fax 44 1843 255902

Asia Pacific
10 Toh Guan Road #07-01
TT International Tradepark
Singapore 608838
Phone 65 6417 2388
Fax 65 6417 2399

PCC Terminal Strips



Notes:

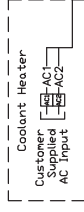
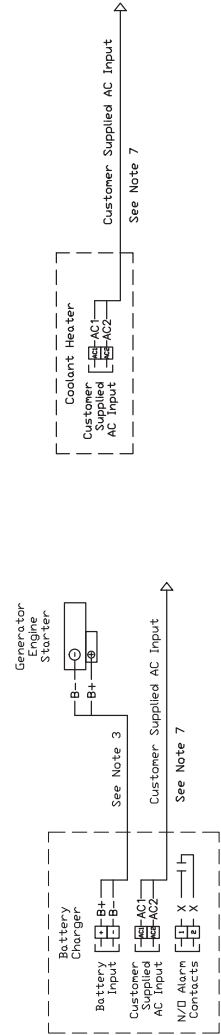
1. FTT-10 network cable use Belden 8471 or equivalent. Run cable between devices in a 'Daisy Chain' configuration. See FTT-10 manual for max distances and further detail.
2. PCC NET network cable use Belden 9729 or equivalent. See Cummins documentation for max distances and further detail.
3. See size chart in battery charger installation manual or NEC guide.
4. See instruction sheet 66736 for Modlan II Gateway Kit pinout and further detail.
5. See instruction sheet 66736 for Modlan II Gateway Kit pinout and further detail.
6. See AUX 101 / 102 Operator Manual for pinout and further detail.
7. See BDM for voltage.



Cummins Crosspoint LLC.
2301 Nelson Miller Pkwy
Louisville, KY 40223

Project: _____
Title: _____
AUTHOR: D. Fields Date: _____

Revision: M
Sheet: 1 of 1



Limited Warranty

Commercial Generating Set

This limited warranty applies to all Cummins Power Generation® branded commercial generating sets and associated accessories (hereinafter referred to as "Product").

This warranty covers any failures of the Product, under normal use and service, which result from a defect in material or factory workmanship.

Warranty Period:

The warranty start date[†] is the date of initial start up, first rental, demonstration or 18 months after factory ship date, whichever is sooner. See table for details.

Continuous Power (COP) is defined as being the maximum power which the generating set is capable of delivering continuously whilst supplying a constant electrical load when operated for an unlimited number of hours per year. No overload capability is available for this rating.

Prime Power (PRP) is defined as being the maximum power which a generating set is capable of delivering continuously whilst supplying a variable electrical load when operated for an unlimited number of hours per year. The permissible average power output over 24 hours of operation shall not exceed 70% of the PRP. For applications requiring permissible average output higher than stated, a COP rating should be used.

Limited-Time Running Power (LTP) is defined as the maximum power available, under the agreed operating conditions, for which the generating set is capable of delivering for up to 500 hours of operation per year.

Emergency Standby Power (ESP) is defined as the maximum power available during a variable electrical power sequence, under the stated operating conditions, for which a generating set is capable of delivering in the event of a utility power outage or under test conditions for up to 500 hours of operation per year. The permissible average power output over 24 hours of operation shall not exceed 70% of the ESP.

Environmental Protection Agency – Stationary Emergency (EPA-SE) is defined as being the maximum power available during a variable electrical power sequence, under the stated operating conditions, for which a generator set is capable of delivering in the event of a utility power outage or under test conditions and used in strict accordance with the EPA NSPS for stationary engines, 40 CFR part 60, subparts IIII and JJJJ, where a reliable utility must be present. The permissible average power output over 24 hours of operation shall not exceed 70% of the EPA-SE.

Data Center Continuous (DCC) is defined as the maximum power which the generator is capable of delivering continuously to a constant or varying electrical load for unlimited hours in a data center application.

Base Warranty Coverage Duration (Whichever occurs first)

Rating	Months	Max. Hours
COP	12	Unlimited
PRP	12	Unlimited
LTP	12	500 hrs
ESP	24	1000 hrs
EPA-SE	24	Unlimited
DCC	24	Unlimited

[†] Warranty start date for designated rental and oil and gas model Products is determined to be date of receipt of Product by the end customer.

Cummins Power Generation® Responsibilities:

In the event of a failure of the Product during the warranty period due to defects in material or workmanship, Cummins Power Generation® will only be responsible for the following costs:

- All parts and labor required to repair the Product.
- Reasonable travel expenses to and from the Product site location.
- Maintenance items that are contaminated or damaged by a warrantable failure.

Owner Responsibilities:

The owner will be responsible for the following:

- Notifying Cummins Power Generation® distributor or dealer within 30 days of the discovery of failure.
- Installing, operating, commissioning and maintaining the Product in accordance with Cummins Power Generation®'s published policies and guidelines.
- Providing evidence for date of commissioning.
- Providing sufficient access to and reasonable ability to remove the Product from the installation in the event of a warrantable failure.
- Incremental costs and expenses associated with Product removal and reinstallation resulting from non-standard installations.
- Costs associated with rental of generating sets used to replace the Product being repaired.
- Costs associated with labor overtime and premium shipping requested by the owner.
- All downtime expenses, fines, all applicable taxes, and other losses resulting from a warrantable failure.

Limitations:

This limited warranty does not cover Product failures resulting from:

- Inappropriate use relative to designated power rating.
- Inappropriate use relative to application guidelines.
- Inappropriate use of an EPA-SE application generator set relative to EPA's standards.
- Normal wear and tear.
- Improper and/or unauthorized installation.
- Negligence, accidents or misuse.
- Lack of maintenance or unauthorized repair.
- Noncompliance with any Cummins Power Generation® published guideline or policy.
- Use of improper or contaminated fuels, coolants or lubricants.
- Improper storage before and after commissioning.
- Owner's delay in making Product available after notification of potential Product problem.
- Replacement parts and accessories not authorized by Cummins Power Generation®.
- Use of Battle Short Mode.
- Owner or operator abuse or neglect such as: operation without adequate coolant or lubricants; overfueling; overspeeding; lack of maintenance to lubricating, cooling or air intake systems; late servicing and maintenance; improper storage, starting, warm-up, run-in or shutdown practices, or for progressive damage resulting from a defective shutdown or warning device.

- Damage to parts, fixtures, housings, attachments and accessory items that are not part of the generating set.

This limited warranty does not cover costs resulting from:

- Difficulty in gaining access to the Product.
- Damage to customer property.

A "Data center" is defined as a dedicated facility that house computers and associated equipment for data storage and data handling.

Reliable utility is defined as utility power without routine or regularly scheduled black-outs.

Please contact your local Cummins Power Generation® Distributor for clarification concerning these limitations.

CUMMINS POWER GENERATION® RIGHT TO FAILED COMPONENTS:

Failed components claimed under warranty remain the property of Cummins Power Generation®. Cummins Power Generation® has the right to reclaim any failed component that has been replaced under warranty.

Extended Warranty:

Cummins Power Generation® offers several levels of Extended Warranty Coverage. Please contact your local Cummins Power Generation® Distributor for details.

www.power.cummins.com

THE WARRANTIES SET FORTH HEREIN ARE THE SOLE WARRANTIES MADE BY CUMMINS POWER GENERATION® IN REGARD TO THE PRODUCT. CUMMINS POWER GENERATION® MAKES NO OTHER WARRANTIES, EXPRESS OR IMPLIED, OR OF MERCHANTABILITY OR FITNESS FOR A PARTICULAR PURPOSE.

IN NO EVENT IS CUMMINS POWER GENERATION® LIABLE FOR INCIDENTAL OR CONSEQUENTIAL DAMAGES.

This limited warranty shall be enforced to the maximum extent permitted by applicable law. This limited warranty gives the owner specific rights that may vary from state to state or from jurisdiction to jurisdiction.

Product Model Number: _____
 Product Serial Number: _____
 Date in Service: _____