

MAGNUM DIESEL GENERATORS

Magnum Diesel Generators are designed to provide power where and when our customers need it. Built for reliability and toughness, they excel in the most extreme conditions from the heat of the desert to the extreme cold of the Arctic Circle. Our unparalleled customer service/technical support teams and heavy duty equipment is what gives our customers the ultimate "return on investment."



MAGNUM MOBILE FLIP-HOOD GENERATORS MODEL MMG 45 (PAGES 4-7)

ADVANCED FEATURES

- PATENT PENDING FLIP-HOOD/FLIP-TONGUE DESIGN
- STEEL SKID FRAME AND TRAILER
- MODELS WITH FULL LOAD RUN TIMES UP TO 35 HOURS
- DURABLE INDUSTRIAL POWDER COAT FINISH

MAGNUM MOBILE GENERATORS MODEL MMG 100 (PAGES 4-7)

ADVANCED FEATURES:

- STEEL SKID FRAME AND TRAILER
- DURABLE INDUSTRIAL POWDER COAT FINISH
- MODELS WITH FULL LOAD RUN TIMES IN EXCESS OF 24 HOURS
- DETACHABLE GENERATOR-SET AND TRAILER



MAGNUM LITE GENERATORS MODEL MLG 25 (PAGES 2-3)

ADVANCED FEATURES:

- FULL TUBULAR STEEL FRAME
- DURABLE POWDER COAT FINISH
- UP TO 48 HOURS FULL LOAD RUN TIME
- EXTERNAL CONVENIENCE OUTLETS WITH MLG 15, MLG 20, MLG 25



20 YEARS OF
EXCELLENCE

For more information:

Call: 1-800-926-9768 Fax: 920-361-2214 Or visit: www.M-P-LLC.com

EMPOWERING REAL PEOPLE

215 POWER DRIVE BERLIN, WISCONSIN 54923-2420
™ TRADEMARK AND ® REGISTERED TRADEMARK OF MAGNUM PRODUCTS LLC



MAGNUM LITE GENERATORS (MLG)



MLG 20

ALSO AVAILABLE IN MLG 8, MLG 15, AND MLG 25

Tough

- Steel, lockable enclosure
- Full tubular steel frame
- Durable powder coat finish
- Stainless steel exterior hardware

Reliable

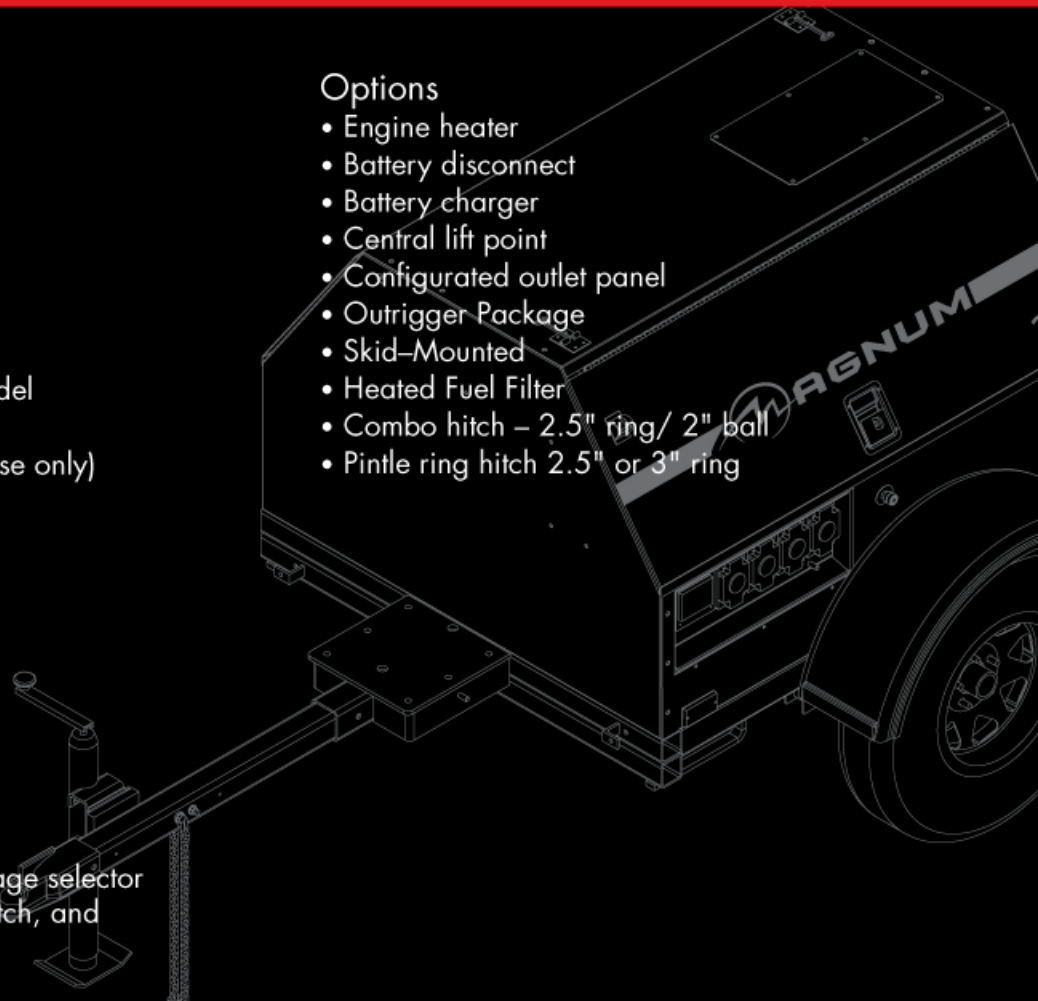
- Key switch on single phase models
- Microprocessor on three phase model
- Low oil/high temp shutdowns
- Start limit main breaker (single phase only)
- Up to 48 hours full load run time
- 2 year 2,000 hour warranty
- Voltage regulation within +/- 1%

Easy to Use

- Self-priming engines
- External convenience outlets with MLG 15, MLG 20, MLG 25
- Individual breakers
- External emergency stop switch
- Three phase models also have voltage selector switch, lugs and lug box safety switch, and automatic remote start

Options

- Engine heater
- Battery disconnect
- Battery charger
- Central lift point
- Configured outlet panel
- Outrigger Package
- Skid-Mounted
- Heated Fuel Filter
- Combo hitch – 2.5" ring/ 2" ball
- Pintle ring hitch 2.5" or 3" ring



Your Authorized Dealer is:

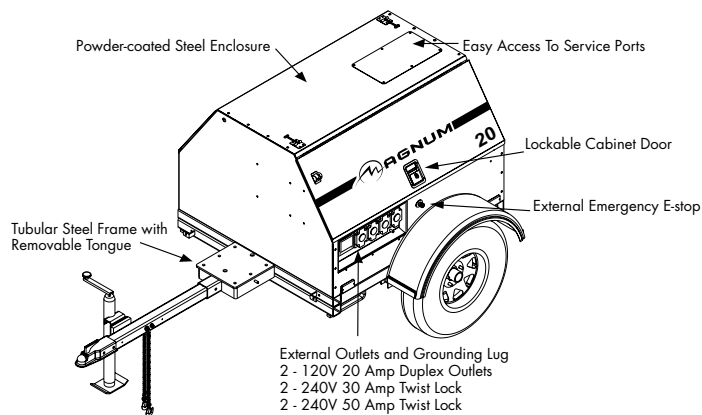
Municipal Equipment Sales, Inc.

Mailing Address: PO Box 1233
Location: 208 Bell Place
Woodstock, GA 30188



Local: 770-928-0424
Fax: 770-928-7512
Nationwide Toll Free: **1-800-782-2243**
Email: sales@municipalequipment.com
Web: www.municipalequipment.com

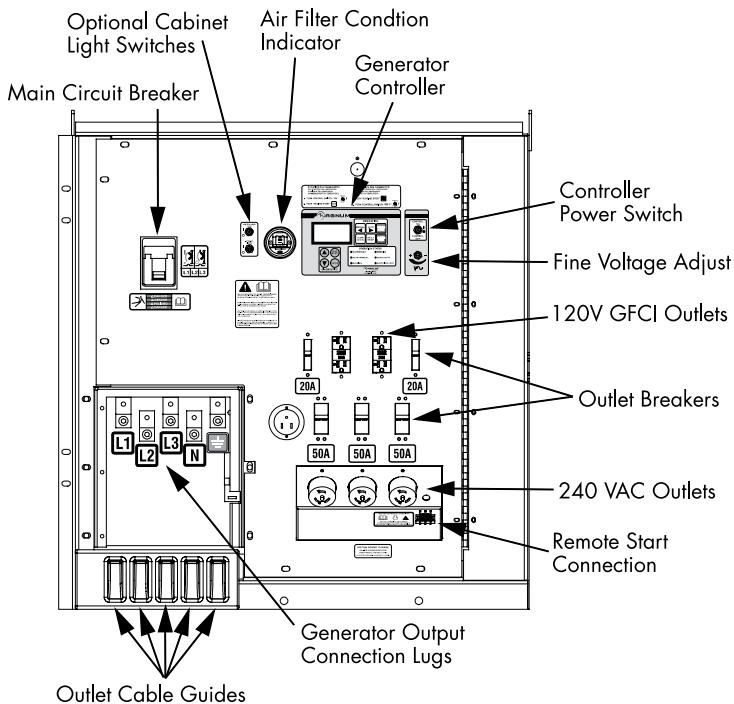
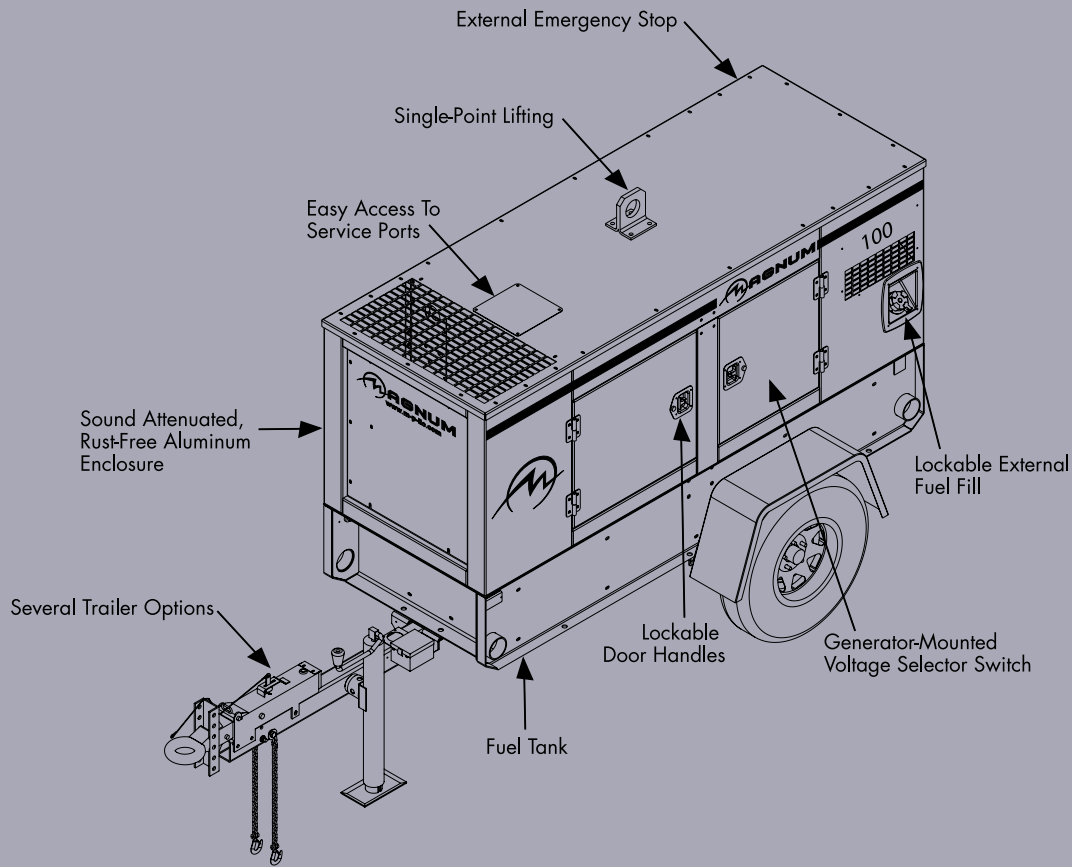




MAGNUM LITE GENERATOR SPECIFICATIONS

Model	MLG 8	MLG 15	MLG 20	MLG 25
Output				
3 Phase - Standby (kW/kVA)	NA	NA	NA	20/25
Amps (480/208 V)	NA	NA	NA	30/69
3 Phase - Prime (kW/kVA)	NA	NA	NA	18/23
Amps (480/208 V)	NA	NA	NA	28/64
1 Phase - Standby (kW/kVA)	7.3 (7.3)	14(14)	20/20	16/16
Amps (240V)	30	58	83	67
1 Phase - Prime (kW/kVA)	6.0 (6.0)	13/13	19/19	15/15
Amps	25	54	79	63
AC Voltage 1-phase	120/240	120/240	120/240	120, 139, 208, 220, 240, 277
AC Voltage 3-phase	NA	NA	NA	208, 220, 440, 480
Frequency Hz.	60	60	60	60
Power Factor	1.0 (1 Phase)	1.0 (1 Phase)	1.0 (1Phase)	1.0 (1 Phase) / .8 (3 Phase)
Generator (Brand/Type/Insulation)	Marathon/ Brushless/ F	Marathon/ Brushless/ F	Marathon/ Brushless/ F	Marathon/ Brushless/ H
Sound (dB(A) 23 Feet @ prime)	70	68	68	68
Size and Weight				
Skid Mounted (l x w x h) in	NA	NA	NA	NA
Dry Weight lb (kg)	NA	NA	NA	NA
Operating Weight lb (kg)	NA	NA	NA	NA
Trailer Mounted (l x w x h) (in)	105x67x56	105x67x56	105x67x56	105x67x56
Dry Weight lb (kg)	1030 (467)	1425 (646)	1455 (660)	1640 (744)
Operating Weight lb (kg)	1250 (567)	1823 (827)	1853 (841)	2038 (924)
Engine				
Brand	Mitsubishi	Mitsubishi	Isuzu	Isuzu
Aspiration	Natural	Natural	Natural	Natural
HP (prime @ 1800rpm) (kW)	10.5 (7.8)	22.3 (16.6)	31.5(23.5)	31.5 (23.5)
Displacement in ³ (L)	58.0 (1.0)	107 (1.8)	134 (2.2)	134 (2.2)
Cylinders	3	4	4	4
Speed (rpm)	1800	1800	1800	1800
Fuel Consumed prime gph (Lph)	0.63 (2.38)	1.3(4.92)	1.8(6.81)	1.8(6.81)
Battery (12 volt)	1-12V/440 CCA	1-12V/440 CCA	1-12V/720 CCA	1-12V/720 CCA
Capacities				
Fuel Tank gal (L)	30 (114)	56 (212)	56 (212)	56 (212)
Approximate Run Time hrs	48	43	31	31
AC Distribution				
Main Breaker	40	70	100	90
Voltage Selection	None	None	None	3 Position Switch (lockable)
Voltage Regulation	+/-1%	+/-1%	+/-1%	+/-1%
120V - 20 amp GFCI Duplex	2	2	2	2
240V - 30 amp Twist Lock	1	2	2	2
240V - 50 amp Twist Lock	NA	2	2	2
Trailer				
Number of Axles & Capacity lbs (kg)	1-2200 (998)	1-2200 (998)	1-2200 (998)	1-2200 (998)
Tire Size (in)	13	15	15	15
Brakes	None	None	None	None
Hitch – Standard	2" Ball	2" Ball	2" Ball	2" Ball

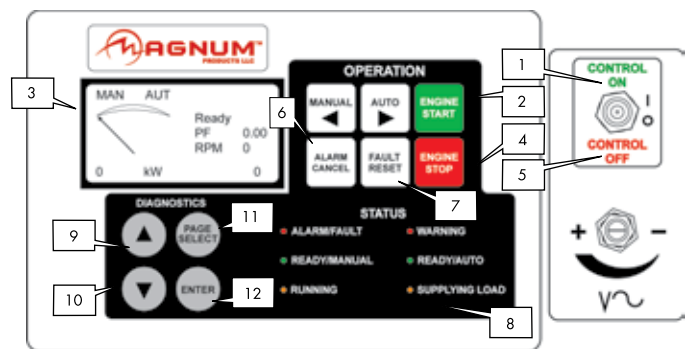
MAGNUM MOBILE GENERATOR MMG 25 - MMG 405



CONTROL PANEL FEATURES

NEW MDC – MAGNUM DIGITAL CONTROLLER ENHANCED OPERATION AND DIAGNOSTIC DISPLAY

GENERATOR CONTROLLER



- | | |
|-----------------------------|-----------------|
| 1. Control Power Switch/ON | 2. Engine Start |
| 3. LCD Display | 4. Engine Stop |
| 5. Control Power Switch/OFF | 6. Alarm Cancel |
| 7. Fault Reset | 8. LED's |
| 9. UP | 10. DOWN |
| 11. Page Select | 12. Enter |

MAGNUM MOBILE GENERATORS (MMG)



MMG 100

ALSO AVAILABLE IN MMG 75, MMG 125, MMG 150,
MMG 170, MMG 235, MMG 320, MMG 405



MMG 35, ALSO AVAILABLE IN
MMG 25, MMG 45, MMG 55

Tough

- Aluminum, lockable enclosure
- Steel skid frame and trailer
- Durable industrial powder coat finish
- Stainless steel exterior hardware

Reliable

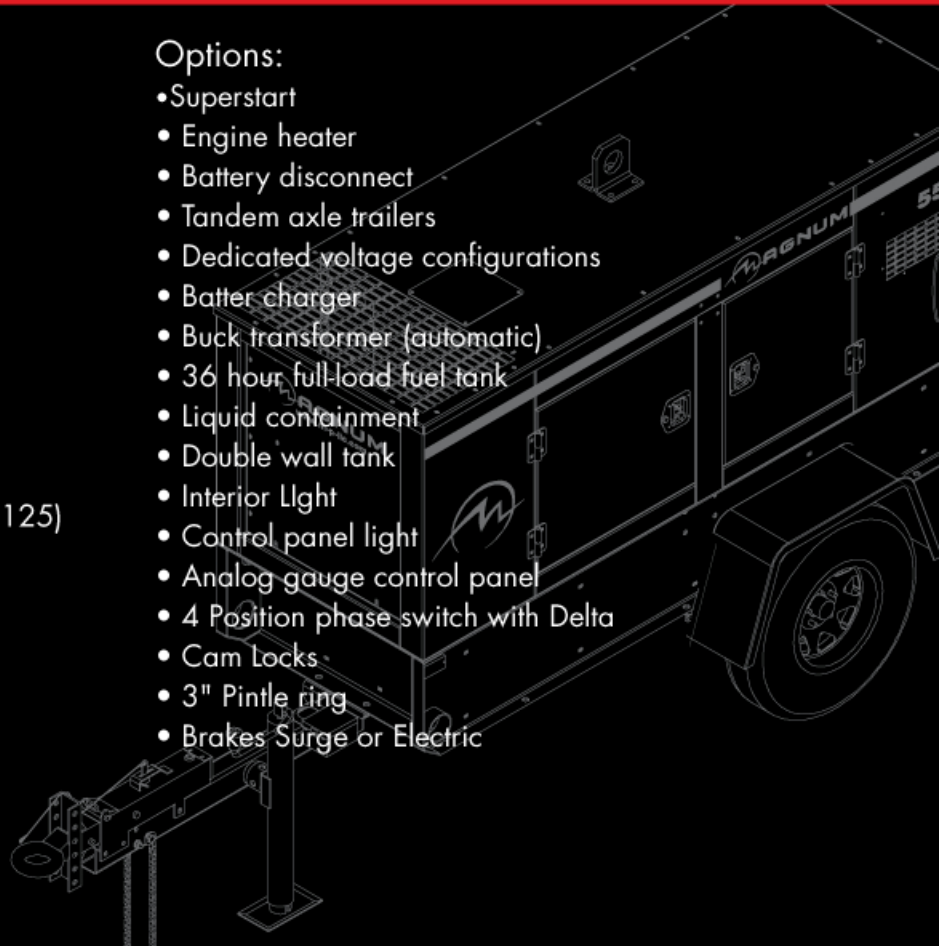
- Advanced microprocessor
- Voltage regulation within +/- 1%
- Models with full load run times in excess of 24 hours
- Air filter condition indicator
- Low coolant shutdown (optional on MMG 125)
- 2 year 2,000 hour warranty

Easy to Use

- Voltage selector switch
- Lugs and lug box safety switch
- Multiple convenience outlets
- External emergency stop switch
- External, lockable fuel cap
- Automatic remote start
- Detachable generator-set and trailer
- Fuel tank integrated into generator-set

Options:

- Superstart
- Engine heater
- Battery disconnect
- Tandem axle trailers
- Dedicated voltage configurations
- Batter charger
- Buck transformer (automatic)
- 36 hour full-load fuel tank
- Liquid containment
- Double wall tank
- Interior light
- Control panel light
- Analog gauge control panel
- 4 Position phase switch with Delta
- Cam locks
- 3" Pintle ring
- Brakes Surge or Electric



Your Authorized Dealer is:

Municipal Equipment Sales, Inc.

Mailing Address: PO Box 1233
Location: 208 Bell Place
Woodstock, GA 30188

Local: 770-928-0424
Fax: 770-928-7512
Nationwide Toll Free: **1-800-782-2243**
Email: sales@municipalequipment.com
Web: www.municipalequipment.com





MODEL MMG 35,
ALSO AVAILABLE MMG 25,
MMG 45 & MMG 55

MODEL MMG 125



MAGNUM MOBILE GENERATOR SPECIFICATIONS

Model	MMG 25	MMG 35	MMG 45	MMG 55	MMG 75	MMG 100
Output						
3 Phase - Standby (kW/kVA)	20 / 25	29/36	35 (44)	50 / 62	63 (79)	86 (107)
Amps (480/208 V)	30 / 69	43/100	53 (122)	72 / 172	95 (219)	129 (297)
3 Phase - Prime (kW/kVA)	18 / 23	26/33	30 (38)	43 / 53	58 (72)	78 (98)
Amps (480/208 V)	28 / 64	40/92	46 (105)	64 / 147	87 (200)	118 (272)
1 Phase - Standby (kW/kVA)	16 / 16	26/26	35 (35)	45 / 45	56 (56)	75 (75)
Amps (240V)	67	108	146	188	233	313
1 Phase - Prime (kW/kVA)	15 / 15	25/25	32 (32)	44 / 44	52 (52)	71 (71)
Amps	63	104	133	183	217	296
AC Voltage 1-phase	120, 139, 208, 220, 240, 277					
AC Voltage 3-phase	208, 220, 440, 480					
Frequency Hz	60	60	60	60	60	60
Power Factor	1.0 (1 Phase) / .8 (3 Phase)					
Generator (Brand/Type/Insulation)	Marathon / Brushless / H					
Sound (dB(A) 23 Feet @ prime)	66	68	68	68	68	68
Size and Weight						
Skid Mounted (l x w x h) in	95 x 35 x 52	95x35x52	95 x 35 x 52	95 x 35 x 52	96 x 38 x 62	96 x 38 x 62
Dry Weight lb (kg)	2048 (929)	2196 (996)	2329 (1056)	2570 (1170)	3178 (1442)	3402 (1543)
Operating Weight lb (kg)	2517 (1142)	2658 (1206)	3082 (1398)	3255 (1480)	4222 (1915)	4361 (1978)
Trailer Mounted (l x w x h) (in)	150 x 57 x 67	150x57x67	150 x 57 x 67	150 x 57 x 67	158 x 60 x 84	158 x 60 x 84
Dry Weight lb (kg)	2289 (1038)	2573 (1167)	2853 (1294)	3090 (1400)	3913 (1775)	4104 (1860)
Operating Weight lb (kg)	2758 (1251)	3035 (1377)	3606 (1636)	3770 (1710)	4957 (2248)	5062 (2296)
Engine	Flex Engine	Flex Engine	Flex Engine	Flex Engine	Tier III	Tier III
Brand	Isuzu	John Deere	Kubota	John Deere	John Deere	John Deere
Model #	4LE1NYGV-01	PE4024TF281	V3600-TE3BG	PE5030TF270	PE4045TF285	PE4045HF285
Aspiration	Natural	Turbo	Turbo	Turbo	Turbo	Turbo
HP (prime @ 1800rpm) (kW)	32 (24)	43 (32)	53 (39)	72 (54)	91 (68)	122 (91)
Displacement in ³ (L)	134 (2.2)	149 (2.4)	221 (3.6)	186 (3.0)	274 (4.5)	274 (4.5)
Cylinders	4	4	4	5	4	4
Speed (rpm)	1800	1800	1800	1800	1800	1800
Fuel Consumed prime gph (Lph)	1.8 (6.8)	2.6 (9.8)	3.0 (11.4)	4.0 (15.1)	5.6 (21.2)	6.2 (23.5)
Battery (12 volt)	1 - 12V / 720 CCA					
Capacities						
Fuel Tank gal (L)	66 (250)	66 (250)	106 (401)	106 (401)	147 (556)	147 (556)
Approximate Run Time hrs	31	22	35	24	24	22
AC Distribution						
Main Breaker	90	125	200	225	300	400
Voltage Selection	3 Position Switch (Lockable)					
Voltage Regulation	+/-1%	+/-1%	+/- 1%	+/-1%	+/-1%	+/-1%
120V - 20 amp GFCI Duplex	2	2	2	2	2	2
240V - 30 amp Twist Lock	NA	NA	NA	NA	NA	NA
240V - 50 amp Twist Lock	2	2	2	2	3	3
Trailer						
Number of Axles & Capacity lbs (kg)	1 - 3500 (1588)	1 -3500 (1588)	1 -5000 (2268)	1 - 5000 (2268)	1 - 6000 (2722)	1 - 6000 (2722)
Tire Size (in)	15	15	15	15	15	15
Brakes	None	None	Surge	Surge	Surge	Surge
Hitch - Standard	2" Ball	2"Ball	2" Ball	2"Ball	3" Ball	3" Ring



MODEL MMG 405

MAGNUM MOBILE GENERATOR SPECIFICATIONS

MMG 125	MMG 150	MMG 170	MMG 235	MMG 320	MMG 405
108/135	127/159	150/188	204/255	278/348	358/447
162/375	191/441	226/522	307/708	419/966	538/1241
99/124	116/145	137/171	186/233	256/320	326/408
149 (344)	174/402	206/475	280/647	385/888	491/1132
97/97	114/114	125 (125)	NA	NA	NA
404	475	521	NA	NA	NA
90/90	106/106	120/120	NA	NA	NA
375	442	500	NA	NA	NA
	120, 139, 208, 220, 240, 277		NA	NA	NA
	208, 220, 440, 480		208/480	208/480	208/480
60	60	60	60	60	60
1.0 (1 Phase) / .8 (3 Phase)	1.0 (1 Phase) / .8 (3 Phase)	1.0 (1 Phase) / .8 (3 Phase)	.8 (3 phase)	.8 (3 phase)	.8 (3 Phase)
	Marathon / Brushless / H				
68	68	68	68	68	68
132 x 50 x 73	132 x 50 x 77	132 x 50 x 77	132 x 50 x 77	156 x 60 x 90	175 x 60 x 96
5734 (2601)	5944 (2696)	6139 (2785)	6510 (2953)	8300 (3765)	12740 (5779)
7552 (3426)	8500 (3856)	8567 (3886)	9100 (4128)	11000 (4990)	17114 (7763)
210 x 86 x 90	210 x 86 x 93	210 x 86 x 93	210 x 86 x 93	230 x 102 x 110	250 x 102 x 116
7130 (3234)	7340 (3329)	7535 (3418)	8450 (3833)	10300 (4672)	15990 (7253)
8948 (4059)	9896 (4489)	9963 (4519)	11040 (5008)	13000 (5897)	20364 (9237)
Flex Engine	Tier III	Tier III	Tier III	Tier III	Tier III
John Deere	John Deere	John Deere	John Deere	John Deere	John Deere
PE6068TF275	PE6068HF285	PE6068HF285	PE6068HF485	RG6090HF485	RG6135HF485
Turbo	Turbo	Turbo	Turbo	Turbo	Turbo
150 (112)	180 (134)	216 (161)	286 (213)	422 (315)	489 (365)
415 (6.8)	415 (6.8)	415 (6.8)	415 (6.8)	548 (9.0)	824 (13.5)
6	6	6	6	6	6
1800	1800	1800	1800	1800	1800
7.7 (29.1)	9.8 (37.1)	10.9 (41.3)	15.2 (57.5)	17.9 (67.8)	21.1 (79.9)
1-12V/1000 CCA	1-12V/1000 CCA	1-12V/1000 CCA	1-12V/1000 CCA	2 - 12V/1000 CCA	2 - 12V/1000 CCA
256 (969)	342 (1295)	342 (1295)	342 (1295)	459 (1738)	616 (2332)
30	32	29	21	24	29
450	600	700	800	1200	1600
3 Position Switch (lockable)	3 Position Switch (lockable)	3 Position Switch (lockable)	Link Board/ Reconnect Board	Link Board/ Reconnect Board	Link Board/ Reconnect Board
+/-1%	+/- 1%	+/-1%	+/-1%	+/-1%	+/-1%
2	2	2	2	2	2
NA	NA	NA	NA	NA	NA
3	3	3	3	3	3
2- 6000 (2722)	2-6000 (2722)	2 - 6000 (2722)	2 - 7000 (3175)	2 - 8000 (3629)	3 - 8000 (3629)
16	16	16	16	17.5	17.5
Surge	Surge	Surge	Surge	Electric	Electric
3" Ring	3" Ring	3" Ring	3" Ring	3" Ring	3" Ring

Specifications are subject to change without notice.

Since Magnum Products was formed in 1988, we have supplied powerful, high-quality light and heavy-duty mobile generators for a variety of industries and specialties including: road and commercial construction, construction rental, electricians, mechanics, government and military, and special events. Magnum generators are designed and built to meet any conditions and extreme challenges. Whatever your needs are, you can be sure Magnum has the power to meet them where and when you need it.



Security

The United States Government relies on Magnum Generators to power and light critical areas like the Pentagon and military bases around the world.

Disaster Relief

Magnum products were there to assist in relief efforts for various natural disasters.

Military Actions

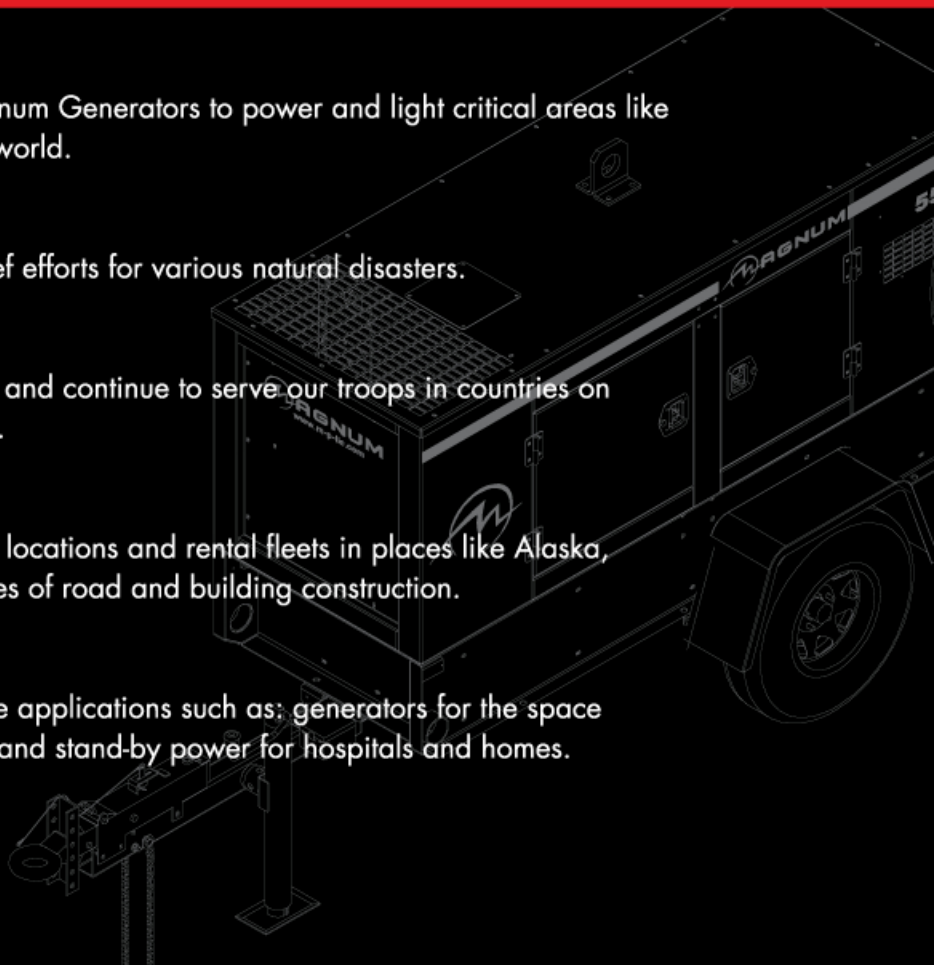
Magnum Mobile Generators have supported and continue to serve our troops in countries on every continent from the Arctic to Uzbekistan.

Industry Applications

Magnum provides light and power to remote locations and rental fleets in places like Alaska, South America and Europe for use on all types of road and building construction.

Specialized Applications

Magnum provides custom products for unique applications such as: generators for the space shuttle support, fire fighting, security lighting and stand-by power for hospitals and homes.



Your Authorized Dealer is:

Municipal Equipment Sales, Inc.

Mailing Address: PO Box 1233
Location: 208 Bell Place
Woodstock, GA 30188

Local: 770-928-0424
Fax: 770-928-7512
Nationwide Toll Free: **1-800-782-2243**
Email: sales@municipalequipment.com
Web: www.municipalequipment.com

