

**CSDG – C200D6D**

**CUMMINS / C200D6D 200**



**Sales and  
Service**

**Cummins Sales and Service**

# NOTICE

A COPY OF THIS GENERATOR SET SUBMITTAL MUST BE RETURNED TO OUR OFFICE, APPROVED IN ITS ENTIRETY AND BEARING THE DATE OF APPROVAL, STAMP OR SIGNATURE AND TITLE OF THE APPROVING AUTHORITY, BEFORE ANY ITEM WILL BE RELEASED FOR MANUFACTURE OR SHIPMENT. WE ASSUME NO RESPONSIBILITY FOR DELAYS IN OUR FORECASTED SHIPPING SCHEDULES ON ANY ITEM ON WHICH SUBMITTAL APPROVAL IS BEYOND THIRTY (30) DAYS FROM THE SUBMISSION DATE ON THE COVER PAGE.

THIS SUBMITTAL IS BASED UPON OUR INTERPRETATION OF THE PROJECT REQUIREMENTS AND/OR SPECIFICATIONS AND IS IN ACCORDANCE WITH YOUR ORDER AND PRODUCT AVAILABILITY OF FROM OUR VENDORS. PLEASE REVIEW THE ENCLOSED DATA COMPLETELY AND CAREFULLY. SHOULD ADDITIONAL INFORMATION OR CLARIFICATION BE REQUIRED PLEASE FORWARD A SUBMITTAL COPY, COMPLETE WITH YOUR NOTATIONS, TO OUR OFFICE WITHIN THIRTY (30) DAYS FOR A PROMPT RESPONSE AND/OR RESUBMITTAL.

CONSIDERABLE ATTENTION IS GIVEN TO THE PREPARATION OF THIS SUBMITTAL TO ENSURE IT IS COMPLETE, CONCISE AND CORRECT AS IS POSSIBLE. PLEASE REVIEW IT CAREFULLY AND THOROUGHLY.

## **Table of Contents**

### **CSDG – C200D6D**

	<b>Page</b>
Cover Letter	<b>1</b>
Notice Letter	<b>2</b>
Table of Contents	<b>3</b>
Bill of Materials	<b>4-5</b>
Generator Specification Sheet	<b>6-11</b>
Generator Data Sheet	<b>12-14</b>
Generator PowerCommand Control - PCC 1.1	<b>15-20</b>
Generator Alternator Data Sheet	<b>21</b>
Prototype Test Certificate	<b>22</b>
Prototype Test Summary Report	<b>23</b>
Generator Open Unit Drawing	<b>24-25</b>
Generator Circuit Breaker Specification Sheet	<b>26-28</b>
Generator Circuit Breaker Drawing	<b>29-31</b>
Generator Accessories Option Drawing	<b>32-33</b>
Generator Enclosure Sound Data Sheet	<b>34-35</b>
Generator Fuel Tank Specification Sheet	<b>36-38</b>
Generator Enclosure Drawing	<b>39</b>
Generator Fuel Tank Drawing	<b>40-41</b>
Generator Battery Charger Specification Sheet	<b>42-43</b>
Generator Warranty Statement - Base	<b>44-45</b>



## Bill of Materials

Product Code	DESCRIPTION	QTY
	C200D6D, Diesel Genset, 60Hz, 200kW	2
US-Stat	U.S. EPA, Stationary Emergency Application	2
C200 D6D	C200D6D, Diesel Genset, 60Hz, 200kW	2
A331-2	Duty Rating - Standby Power (ESP)	2
L169-2	Emission Certification, EPA, Tier 3, NSPS CI Stationary Emergency	2
L090-2	Listing - UL 2200	2
L193-2	NFPA 110 Type 10 Level 1 Capable	2
R002-2	Voltage - 277 / 480, 3 Phase, Wye, 4 Wire	2
B943-2	Alternator - 60Hz, 12L, 480 / 277V, 120C, 40C Ambient	2
F216-2	Aluminum Weather Protective Enclosure, with Exhaust System	2
P176-2	Enclosure Color-Green, Aluminum Enclosure	2
F252-2	Enclosure - Wind Load 180 MPH, ASCE7-10	2
F179-2	Skidbase - Housing Ready	2
C301-2	Fuel Tank - Regional, Dual Wall, Sub Base, 24 Hour Minimum	2
C127-2	Fuel Water Separator	2
C310-2	Low Fuel Level Switch, 40%	2
C312-2	Mechanical Fuel Gauge	2
C318-2	Switch - Fuel Tank, Rupture Basin	2
H609-2	Control Mounting - Left Facing	2
H700-2	PowerCommand1.1 Controller	2
H012-2	Gauge - Oil Pressure	2
K796-2	Stop Switch - Emergency	2
H536-2	Control Display Language - English	2
KV03-2	Load Connection - Single	2
KY06-2	Circuit Breaker, Location A, 200A - 600A, 3P, LSI, 600 Volts AC, 100%, UL	2
KB72-2	Bottom Entry, Right	2
B184-2	Exciter / Regulator - Permanent Magnet Generator, 3 Phase Sensor	2
A366-2	Engine Governor - Electronic, Isochronous	2
A422-2	Engine Starter - 12 Volt DC Motor	2
D041-2	Engine Air Cleaner - Normal Duty	2
A333-2	Battery Charging Alternator	2
BB89-2	Battery Charger - 6 Amp, Regulated	2
E125-2	Engine Cooling - Radiator, High Ambient Air Temperature, Ship Fitted	2
H527-2	Warning - Low Coolant Level	2
E089-2	Extension - Coolant Drain	2
H669-2	Engine Coolant - 50% Antifreeze, 50% Water Mixture	2
E153-2	Coolant Heater	2



<b>Product Code</b>	<b>DESCRIPTION</b>	<b>QTY</b>
H706-2	Engine Oil	2
L028-2	Genset Warranty - 2 Years Base	2
L050-2	Literature - English	2
A322-2	Packing - Skid, Poly Bag	2
F065-2	Battery Rack	2
H268-2	Extension - Oil Drain	2



# Diesel generator set

QSB7 series engine  
125-200 kW @ 60 Hz  
EPA Tier 3 emissions



## Description

Cummins® generator sets are fully integrated power generation systems providing optimum performance, reliability and versatility for stationary Standby applications.

## Features

**Heavy duty engine** - Rugged 4-cycle industrial diesel delivers reliable power and fast response to load changes.

**Alternator** - Several alternator sizes offer selectable motor starting capability with low reactance 2/3 pitch windings, low waveform distortion with non-linear loads and fault clearing short-circuit capability.

**Control system** - The PowerCommand® 1.1 electronic control is standard equipment and provides total generator set system integration including automatic remote starting/stopping, precise frequency and voltage regulation, alarm and status message display, output metering, auto-shutdown at fault detection and NFPA 110 Level 1 compliance.

**Cooling system** - Standard cooling package provides reliable running at up to 50 °C (122 °F) ambient temperature.

**Enclosures** - The aesthetically appealing enclosure incorporates special designs that deliver one of the quietest generators of its kind. Aluminium material plus durable powder coat paint provides the best anti-corrosion performance. The generator set enclosure has been evaluated to withstand 180 MPH wind loads in accordance with ASCE7 -10. The design has hinged doors to provide easy access for service and maintenance.

**Fuel tanks** - Dual wall sub-base fuel tanks are offered as optional features, providing economical and flexible solutions to meet extensive code requirements on diesel fuel tanks.

**NFPA** - The generator set accepts full rated load in a single step in accordance with NFPA 110 for Level 1 systems.

**Warranty and service** - Backed by a comprehensive warranty and worldwide distributor network.

Model	Standby 60 Hz		Prime 60 Hz		Data sheets
	kW	kVA	kW	kVA	
C125D6D	125	156	113	141	NAD-6371-EN
C150D6D	150	188	135	169	NAD-6372-EN
C175D6D	175	219	158	197	NAD-6373-EN
<b>C200D6D</b>	<b>200</b>	250	180	225	NAD-6374-EN

## Generator set specifications

Governor regulation class	ISO8528 Part 1 Class G3
Voltage regulation, no load to full load	± 1.0%
Random voltage variation	± 1.0%
Frequency regulation	Isochronous
Random frequency variation	± 0.50%
Radio frequency emissions compliance	FCC code title 47 part 15 class A and B

## Engine specifications

Design	Turbocharged and charge air cooled
Bore	107 mm (4.21 in.)
Stroke	124 mm (4.88 in.)
Displacement	6.7 L (408 in <sup>3</sup> )
Cylinder block	Cast iron, in-line 6 cylinder
Battery capacity	2 x 850 amps per battery at ambient temperature of 0 °C (32 °F)
Battery charging alternator	100 amps
Starting voltage	2 x 12 volt in parallel, negative ground
Lube oil filter type(s)	Spin-on with relief valve
Standard cooling system	High ambient radiator
Rated speed	1800 rpm

## Alternator specifications

Design	Brushless, 4 pole, drip proof, revolving field
Stator	2/3 pitch
Rotor	Direct coupled, flexible disc
Insulation system	Class H per NEMA MG1-1.65
Standard temperature rise	120 °C (248 °F) Standby
Exciter type	Torque match (shunt) with PMG as option
Alternator cooling	Direct drive centrifugal blower
AC waveform Total Harmonic Distortion (THDV)	< 5% no load to full linear load, < 3% for any single harmonic
Telephone Influence Factor (TIF)	< 50 per NEMA MG1-22.43
Telephone Harmonic Factor (THF)	< 3%

## Available voltages

1-phase		3-phase			
• 120/240	• 120/208	• 120/240	• 277/480	• 347/600	• 127/220

## Generator set options

### Fuel system

- Basic fuel tanks
- Regional fuel tanks

### Engine

- Engine air cleaner – normal or heavy duty
- Shut down – low oil pressure
- Extension – oil drain
- Engine oil heater

### Alternator

- 120 °C temperature rise alternator
- 105 °C temperature rise alternator
- PMG excitation
- Alternator heater, 120 V
- Reconnectable full 1 phase output alternator upto 175 kW

### Control

- AC output analog meters
- Stop switch – emergency
- Auxiliary output relays (2)
- Auxiliary configurable signal inputs (8) and relay outputs (8)

### Electrical

- One, two or three circuit breaker configurations
- 80% rated circuit breakers
- 80% or 100% rated LSI circuit breakers
- Battery charger

### Enclosure

- Aluminium enclosure Sound Level 1 or Level 2, green color
- Aluminium weather protective enclosure with muffler installed, green color

### Cooling system

- Shutdown – low coolant level
- Warning – low coolant level
- Extension – coolant drain
- Coolant heater options:
  - <4 °C (40 °F) – cold weather
  - <-18 °C (0 °F) – extreme cold

### Exhaust system

- Exhaust connector NPT
- Exhaust muffler mounted

### Generator set application

- Base barrier – elevated genset
- Radiator outlet duct adapter

### Warranty

- Base warranty – 2 year/1000 hours, Standby
- Base warranty – 1 year/unlimited hours, Prime
- 3 & 5 year Standby warranty options

## Generator set accessories

- **Coolant heater**
  - Battery heater kit
  - Engine oil heater
  - Remote control displays
  - Auxiliary output relays (2)
  - Auxiliary configurable signal inputs (8) and relay outputs (8)
  - Annunciator – RS485
  - Audible alarm
- Remote monitoring device – PowerCommand 500/550
- Battery charger – stand-alone, 12 V
- **Circuit breakers**
  - Enclosure Sound Level 1 to Sound Level 2 upgrade kit
  - Base barrier – elevated generator set
- **Mufflers** – industrial, residential or critical
- **Alternator PMG excitation**
  - Alternator heater
  - **Improved PC1.1 display readability**
  - Top conduit entry access

## Control system PowerCommand 1.1



**PowerCommand control** is an integrated generator set control system providing voltage regulation, engine protection, operator interface and isochronous governing (optional). Major features include:

- Battery monitoring and testing features and smart starting control system.
- Standard PCCNet interface to devices such as remote annunciator for NFPA 110 applications.
- Control boards potted for environmental protection.
- Control suitable for operation in ambient temperatures from -40 °C to +70 °C (-40 °F to +158 °F) and altitudes to 5000 meters (13,000 feet).
- Prototype tested; UL, CSA, and CE compliant.
- InPower™ PC-based service tool available for detailed diagnostics.

### Operator/display panel

- Manual off switch
- Alpha-numeric display with pushbutton access for viewing engine and alternator data and providing setup, controls and adjustments (English or international symbols)
- LED lamps indicating generator set running, not in auto, common warning, common shutdown, manual run mode and remote start
- Suitable for operation in ambient temperatures from -40 °C to +70 °C
- Bargraph display (optional)

### AC protection

- Over current warning and shutdown
- Over and under voltage shutdown
- Over and under frequency shutdown
- Over excitation (loss of sensing) fault
- Field overload

### Engine protection

- Overspeed shutdown
- Low oil pressure warning and shutdown
- High coolant temperature warning and shutdown

- Low coolant level warning or shutdown
- Low coolant temperature warning
- High, low and weak battery voltage warning
- Fail to start (overcrank) shutdown
- Fail to crank shutdown
- Redundant start disconnect
- Cranking lockout
- Sensor failure indication
- Low fuel level warning or shutdown

### Alternator data

- Line-to-Line and Line-to-neutral AC volts
- 3-phase AC current
- Frequency
- Total kVa

### Engine data

- DC voltage
- Lube oil pressure
- Coolant temperature
- Engine speed

### Other data

- Generator set model data
- Start attempts, starts, running hours
- Fault history
- RS485 Modbus® interface
- Data logging and fault simulation (requires InPower service tool)

### Digital governing (optional)

- Integrated digital electronic isochronous governor
- Temperature dynamic governing

### Digital voltage regulation

- Integrated digital electronic voltage regulator
- 2-phase Line-to-Line sensing
- Configurable torque matching

### Control functions

- Time delay start and cooldown
- Cycle cranking
- PCCNet interface
- (2) Configurable inputs
- (2) Configurable outputs
- Remote emergency stop
- Automatic Transfer Switch (ATS) control
- Generator set exercise, field adjustable

## Options

- Auxiliary output relays (2)
- Remote annunciator with (3) configurable inputs and (4) configurable outputs
- PMG alternator excitation
- PowerCommand 500/550 for remote monitoring and alarm notification (accessory)
- Auxiliary, configurable signal inputs (8) and configurable relay outputs (8)

- AC output analog meters (bargraph)
  - Color-coded graphical display of:
    - 3-phase AC voltage
    - 3-phase current
    - Frequency
    - kVa
- Remote operator panel
- PowerCommand 2.3 control with AmpSentry protection

## Ratings definitions

### Emergency Standby Power (ESP):

Applicable for supplying power to varying electrical load for the duration of power interruption of a reliable utility source. Emergency Standby Power (ESP) is in accordance with ISO 8528. Fuel Stop power in accordance with ISO 3046, AS 2789, DIN 6271 and BS 5514.

### Limited-Time Running Power (LTP):

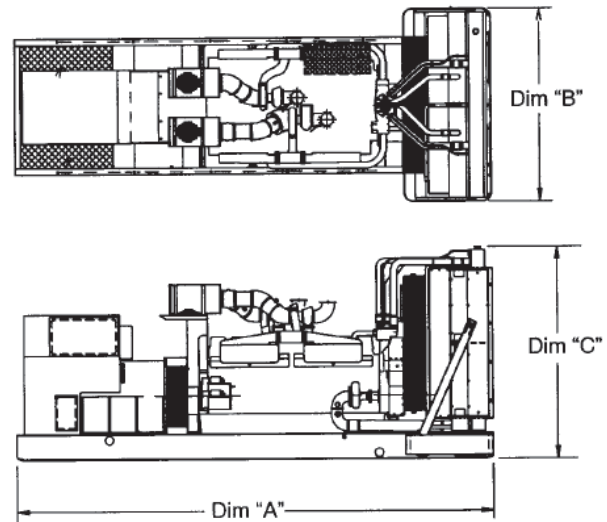
Applicable for supplying power to a constant electrical load for limited hours. Limited Time Running Power (LTP) is in accordance with ISO 8528.

### Prime Power (PRP):

Applicable for supplying power to varying electrical load for unlimited hours. Prime Power (PRP) is in accordance with ISO 8528. Ten percent overload capability is available in accordance with ISO 3046, AS 2789, DIN 6271 and BS 5514.

### Base Load (Continuous) Power (COP):

Applicable for supplying power continuously to a constant electrical load for unlimited hours. Continuous Power (COP) in accordance with ISO 8528, ISO 3046, AS 2789, DIN 6271 and BS 5514.



This outline drawing is for reference only. See respective model data sheet for specific model outline drawing number.





**Do not use for installation design**

Model	Dim "A" mm (in.)	Dim "B" mm (in.)	Dim "C" mm (in.)	Set weight* kg (lbs.)
<b>Open set</b>				
C125D6D	2867 (113)	1016 (40)	1415 (56)	1470 (3240)
C150D6D	2867 (113)	1016 (40)	1415 (56)	1470 (3240)
C175D6D	2867 (113)	1016 (40)	1415 (56)	1470 (3240)
C200D6D	2867 (113)	1016 (40)	1415 (56)	1470 (3240)
<b>Weather protective enclosure</b>				
C125D6D	2867 (113)	1016 (40)	1836 (72)	1600 (3527)
C150D6D	2867 (113)	1016 (40)	1836 (72)	1600 (3527)
C175D6D	2867 (113)	1016 (40)	1836 (72)	1600 (3527)
<b>C200D6D</b>	2867 (113)	1016 (40)	1836 (72)	1600 (3527)
<b>Sound attenuated enclosure Level 1</b>				
C125D6D	3621 (143)	1016 (40)	1836 (72)	1649 (3635)
C150D6D	3621 (143)	1016 (40)	1836 (72)	1649 (3635)
C175D6D	3621 (143)	1016 (40)	1836 (72)	1649 (3635)
C200D6D	3621 (143)	1016 (40)	1836 (72)	1649 (3635)
<b>Sound attenuated enclosure Level 2</b>				
C125D6D	4061 (160)	1016 (40)	1836 (72)	1665 (3671)
C150D6D	4061 (160)	1016 (40)	1836 (72)	1665 (3671)
C175D6D	4061 (160)	1016 (40)	1836 (72)	1665 (3671)
C200D6D	4061 (160)	1016 (40)	1836 (72)	1665 (3671)

\* Weights above are average. Actual weight varies with product configuration.

## Codes and standards

Codes or standards compliance may not be available with all model configurations – consult factory for availability.

	<p>This generator set is designed in facilities certified to ISO 9001 and manufactured in facilities certified to ISO 9001 or ISO 9002.</p>		<p>The generator set is available Listed to UL 2200, Stationary Engine Generator Assemblies.</p>
	<p>The Prototype Test Support (PTS) program verifies the performance integrity of the generator set design. Cummins products bearing the PTS symbol meet the prototype test requirements of NFPA 110 for Level 1 systems.</p>	<p><b>U.S. EPA</b></p>	<p>Engine certified to U.S. EPA SI Stationary Emission Regulation 40 CFR, Part 60.</p>
	<p>All low voltage models are CSA certified to product class 4215-01.</p>	<p><b>International Building Code</b></p>	<p>The generator set is certified to International Building Code (IBC) 2012.</p>

**Warning:** Back feed to a utility system can cause electrocution and/or property damage. Do not connect to any building's electrical system except through an approved device or after building main switch is open.

For more information contact your local Cummins distributor or visit [power.cummins.com](http://power.cummins.com)

**Our energy working for you.™**





## Generator Set Data Sheet

<b>Model:</b>	<b>C200D6D</b>
<b>Frequency:</b>	<b>60 Hz</b>
<b>Fuel Type:</b>	<b>Diesel</b>
<b>KW Rating:</b>	<b>200 Standby</b> <b>180 Prime</b>
<b>Emissions level:</b>	<b>EPA Tier 3, Stationary Emergency</b>

Exhaust Emission Data Sheet:	EDS-3046
Exhaust Emission Compliance Sheet:	EPA-2035
Sound Performance Data Sheet:	MSP-4010
Cooling Performance Data Sheet:	MCP-2050
Prototype Test Summary Data Sheet:	PTS-636

Fuel Consumption	Standby				Prime			
	kW (kVA)				kW (kVA)			
Ratings	200 (250)				180 (225)			
Load	1/4	1/2	3/4	Full	1/4	1/2	3/4	Full
US gph	5.7	8.7	11.7	14.9	5.3	8	10.7	13.6
L/hr	21.57	32.92	44.28	56.39	20.06	30.28	40.49	51.47

Engine	Standby rating	Prime rating
Engine Manufacturer	Cummins Inc.	
Engine Model	QSB7-G5	
Configuration	Cast iron, in-line, 6 cylinders	
Aspiration	Turbocharged and charge air cooled	
Gross Engine Power Output, kWm (bhp)	242 (324)	208 (279)
BMEP at set rated load, kPa (psi)	2276 (330)	2063 (299)
Bore, mm (in)	107 (4.21)	
Stroke, mm (in)	124 (4.88)	
Rated Speed, rpm	1800	
Piston Speed, m/s (ft/min)	7.44 (1464)	
Compression Ratio	17.2:1	
Lube Oil Capacity, L (qt)	17.4 (18.38)	
Overspeed limit, rpm	2250	

Fuel Flow	
Maximum Fuel Flow, L/hr (US gph)	103 (27.0)
Maximum Fuel Inlet Restriction with Clean Filter, mm Hg (in Hg)	127 (5.0)



Air	Standby rating	Prime rating
Combustion Air, m <sup>3</sup> /min (scfm)	15.86 (560)	15.38 (543)
Maximum Air Cleaner Restriction with Clean Filter, kPa (in H <sub>2</sub> O)	3.7 (15)	

## Exhaust

Exhaust Flow at set rated load, m <sup>3</sup> /min (cfm)	40.74 (1439)	37.8 (1335)
Exhaust Temperature, °C (°F)	512.22 (954)	484.44 (904)
Maximum Back Pressure, kPa (in H <sub>2</sub> O)	10 (40.19)	10 (40.19)
Actual Exhaust Back Pressure with CPG Sound level 2 Enclosure Muffler, kPa (in H <sub>2</sub> O)	10 (40.19)	9.9 (39.78)
Actual Exhaust Back Pressure with CPG Weather Enclosure Muffler, kPa (in H <sub>2</sub> O)	8.4 (33.76)	7.8 (31.47)

## Standard Set-Mounted Radiator Cooling

Ambient Design, °C (°F)	49 (120.2)	
Fan Load, kW <sub>m</sub> (HP)	14.02 (18.8)	
Coolant Capacity (with radiator), L (US Gal)	22 (5.9)	
Cooling System Air Flow, m <sup>3</sup> /min (scfm)	305.82 (10800)	
Total Heat Rejection, MJ/min (Btu/min)	10.06 (9538)	9.44 (8952)
Maximum Cooling Air Flow Static Restriction, kPa (in H <sub>2</sub> O)	0.12 (0.5)	

## Weight<sup>2</sup>

Unit Wet Weight kgs (lbs)	1583 (3491)
---------------------------	-------------

see below drawings for overall shipping weight and dimensions

### Notes:

<sup>1</sup> For non-standard remote installations contact your local Cummins Power Generation representative.

<sup>2</sup> Weights represent a set with standard features. See outline drawing for weights of other configurations.

## Derating Factors

Standby	Engine power available up to 2148 m (7049 ft.) at ambient temperatures up to 40° C (104° F) and 1086 m (3563 ft.) at 50° C (122° F). Consult your Cummins distributor for temperature and ambient requirements outside these parameters.
Prime	Engine power available up to 1944 m (6377 ft.) at ambient temperatures up to 40° C (104° F) and 811 m (2660 ft.) at 50° C (122° F). Consult your Cummins distributor for temperature and ambient requirements outside these parameters.

## Ratings Definitions

Emergency Standby Power (ESP):	Limited-time Running Power (LTP):	Prime Power (PRP):	Base Load (continuous) Power (COP):
Applicable for supplying power to varying electrical load for the duration of power interruption of a reliable utility source. Emergency Standby Power (ESP) is in accordance with ISO 8528. Fuel Stop power in accordance with ISO 3046, AS 2789, DIN 6271 and BS 5514.	Applicable for supplying power to a constant electrical load for limited hours. Limited Time Running Power (LTP) is in accordance with ISO 8528.	Applicable for supplying power to varying electrical load for unlimited hours. Prime Power (PRP) is in accordance with ISO 8528. Ten percent overload capability is available in accordance with ISO 3046, AS 2789, DIN 6271 and BS 5514.	Applicable for supplying power continuously to a constant electrical load for unlimited hours. Continuous Power (COP) is in accordance with ISO 8528, ISO 3046, AS 2789, DIN 6271 and BS 5514.

**North America**  
**1400 73rd Avenue N.E.**  
**Minneapolis, MN 55432**  
**USA**

Phone 763 574 5000  
 Fax 763 574 5298

**Our energy working for you.™**

©2019 Cummins Inc. All rights reserved.  
 Cummins is a registered trademarks of Cummins Inc. PowerCommand, AmpSentry, InPower and "Our energy working for you." are trademarks of Cummins. Other company, product, or service names may be trademarks or service marks of others. Specifications are subject to change without notice.  
 NAD-6374-EN (09/19) A061F589



power.cummins.com

## Alternator Data

Standard Alternators	Single phase <sup>2</sup>	Three Phase <sup>1</sup>				
Maximum Temperature Rise above 40 °C Ambient	120 °C	120 °C				
Feature Code	BB90-2	B946-2	B986-2	B952-2	B943-2	BB86-2
Alternator Data Sheet Number	ADS-213	ADS-213	ADS-212	ADS-212	ADS-212	ADS-212
Voltage Ranges	120/240	120/208	120/240	347/600	277/480	127/220
Voltage Feature Code	R104-2	R098-2	R106-2	R114-2	R002-2	R020-2
Surge kW	205.7	211.1	213.4	214.3	213.4	211.6
Motor Starting kVA (at 90% sustained voltage) Shunt	770	770	672	770	672	770
Motor Starting kVA (at 90% sustained voltage) PMG	920	920	791	920	791	920
Full load Current Amps at Standby Rating	833	694	602	240	301	656

## Alternator Data

Standard Alternators	Three phase <sup>1</sup>				
Maximum Temperature Rise above 40 °C Ambient	105 °C	105 °C	105 °C	105 °C	105 °C
Feature Code	BB94-2	BB95-2	BB92-2	BB85-2	BB93-2
Alternator Data Sheet Number	ADS-212	ADS-212	ADS-212	ADS-212	ADS-213
Voltage Ranges	120/240	277/480	347/600	127/220	120/208
Voltage Feature Code	R106-2	R002-2	R114-2	R020-2	R098-2
Surge kW	213.4	213.4	214.3	211.6	211.1
Motor Starting kVA (at 90% sustained voltage) Shunt	770	770	770	770	770
Motor Starting kVA (at 90% sustained voltage) PMG	920	920	920	920	920
Full load current amps at standby rating	602	301	240	656	694

Notes:

<sup>1</sup> Single phase power can be taken from a three phase generator set at up to 2/3 set rated 3-phase kW at 1.0 power factor

<sup>2</sup> Full single phase output up to full set rated 3-phase kW at 1.0 power factor

## Formulas for Calculating Full Load Currents:

$$\frac{\text{Three phase output}}{\text{Voltage} \times 1.73 \times 0.8} = \frac{\text{kW} \times 1000}{\text{Voltage} \times 1.73 \times 0.8}$$

$$\frac{\text{Single phase output}}{\text{Voltage}} = \frac{\text{kW} \times \text{SinglePhaseFactor} \times 1000}{\text{Voltage}}$$

**Warning:** Back feed to a utility system can cause electrocution and/or property damage. Do not connect to any building's electrical system except through an approved device or after building main switch is open.

**North America**  
**1400 73rd Avenue N.E.**  
**Minneapolis, MN 55432**  
**USA**

Phone 763 574 5000  
 Fax 763 574 5298

**Our energy working for you.™**

©2019 Cummins Inc. All rights reserved.  
 Cummins is a registered trademarks of Cummins Inc. PowerCommand, AmpSentry, InPower and "Our energy working for you." are trademarks of Cummins. Other company, product, or service names may be trademarks or service marks of others. Specifications are subject to change without notice.  
 NAD-6374-EN (09/19) A061F589





# PowerCommand® 1.1 Control System



## Description

The PowerCommand control system is a microprocessor-based generator set monitoring, metering and control system designed to meet the demands of today's engine driven generator sets. The integration of all control functions into a single control system provides enhanced reliability and performance compared to conventional generator set control systems. These control systems have been designed and tested to meet the harsh environment in which gensets are typically applied.

## Features

**Easy to view:** HMI 211RS for residential use. 128 x 64 pixel graphic LED backlight LCD.

**Easy to use:** Tactile buttons for generator set start/stop. Residential Standby display for convenient use.

**Modbus® interface:** Eliminates need for MODLON.

**Progressive protective functions:** Advanced Overcurrent Protection – Generator set monitoring & protection.

**Digital voltage regulation:** Single phase full wave SCR type regulator compatible with either shunt or PMSG systems.

**Digital engine speed governing:** Provides isochronous frequency regulation.

**12 and 24 VDC battery operation.**

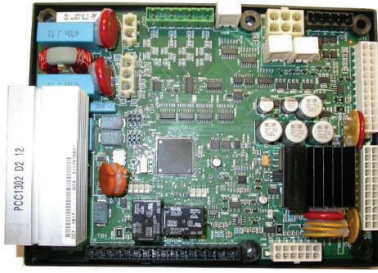
**Automatic mains failure:** Smooth & automatic transfer and re-transfer of load from utility to generator set & vice-versa.

**Exerciser clock:** Runs generator set exerciser routines for dependability of operation.

**Warranty and service:** Backed by a comprehensive warranty and worldwide distributor service network.

**Certification:** Suitable for use on generator sets that are designed, manufactured, tested and certified to relevant UL, NFPA, ISO, IEC Mil Std., CE and CSA standards.

## PowerCommand Digital Generator Set Control PCC 1302



### Description

The PowerCommand generator set control is suitable for use on a wide range of generator sets in non-paralleling applications. The PowerCommand control is compatible with shunt or PMG excitation style. It is suitable for use with reconnectable or non-reconnectable generators, and it can be configured for any frequency, voltage and power connection from 120-600 VAC Line-to-Line.

Power for this control system is derived from the generator set starting batteries. The control functions over a voltage range from 8 VDC to 30 VDC.

### Features

- 12 and 24 VDC battery operation.
- Digital voltage regulation.
- Digital engine speed governing (where applicable) - Provides isochronous frequency regulation.
- Full authority engine communications (where applicable) - Provides communication and control with the Engine Control Module (ECM).
- Common harnessing - with higher feature Cummins controls allows for easy field upgrades.
- Generator set monitoring - Monitors status of all critical engine and alternator functions.
- Digital genset metering (AC and DC).
- Genset battery monitoring system - to sense and warn against a weak battery condition.
- Engine starting - Includes relay drivers for starter, fuel shut off (FSO), glow plug/spark ignition power and switch B+ applications.
- Generator set protection - Protects engine and alternator.
- Advanced serviceability - using InPower™, a PC-based software service tool.
- Environmental protection - The control system is designed for reliable operation in harsh environments. The main control board is a fully encapsulated module that is protected from the elements.
- Exerciser function – Routine exercising of generator set.
- Supports dual fuel control.
- Automatic Mains Failure function built in generator set controller. Modbus interface - for interconnecting to customer equipment.

- Configurable inputs and outputs - Four discrete inputs and two dry contact relay outputs.
- Warranty and service - Backed by a comprehensive warranty and worldwide distributor service network.
- Certifications - Suitable for use on generator sets that are designed, manufactured, tested and certified to relevant UL, NFPA, ISO, IEC, Mil Std., CE and CSA standards.

### Base Control Functions

#### HMI capability

Operator adjustments - The HMI includes provisions for many set up and adjustment functions.

Generator set hardware data - Access to the control and software part number, generator set rating in kVA and generator set model number is provided from the HMI or InPower™.

Data logs - Includes engine run time, controller on time, number of start attempts.

Fault history - Provides a record of the most recent fault conditions with control hours time stamp. Up to 10 events are stored in the control non-volatile memory.

#### Alternator data

- Voltage (single or three phase Line-to-Line and Line-to-Neutral)
- Current (single or three phase)
- kVA (three phase and total)
- Frequency
- Engine data
- Starting battery voltage
- Engine speed
- Engine temperature
- Engine oil pressure
- Partial Full Authority Engine (FAE) data (where applicable)
- Service adjustments - The HMI includes provisions for adjustment and calibration of generator set control functions. Adjustments are protected by a password. Functions include:
  - Engine speed governor adjustments
  - Voltage regulation adjustments
  - Cycle cranking
  - Configurable fault set up
  - Configurable output set up
  - Meter calibration
  - Units of measurement

## Engine control

SAE-J1939 CAN interface to full authority ECMs (where applicable) - Provides data swapping between genset and engine controller for control, metering and diagnostics.

12 VDC/24 VDC battery operations - PowerCommand will operate either on 12 VDC or 24 VDC batteries.

Isochronous governing (where applicable) - Capable of controlling engine speed within +/-0.25% for any steady state load from no load to full load. Frequency drift will not exceed +/-0.5% for a 33 °C (60 °F) change in ambient temperature over an 8 hour period.

Temperature dependent governing dynamics (with electronic governing) - Modifies the engine governing control parameters as a function of engine temperature. This allows the engine to be more responsive when warm and more stable when operating at lower temperature levels.

Remote start mode - Accepts a ground signal from remote devices to automatically start the generator set and immediately accelerate to rated speed and voltage. The remote start signal will also wake up the control from sleep mode. The control can incorporate a time delay start and stop.

Remote and local Emergency stop - The control accepts a ground signal from a local (genset mounted) or remote (facility mounted) Emergency stop switch to cause the generator set to immediately shut down. The generator set is prevented from running or cranking with the switch engaged. If in sleep mode, activation of either Emergency stop switch will wake up the control.

Sleep mode - The control includes a configurable low current draw state to minimize starting battery current draw when the genset is not operating. The control can also be configured to go into a low current state while in auto for Prime applications or applications without a battery charger.

Engine starting - The control system supports automatic engine starting. Primary and backup start disconnects are achieved by one of three methods: magnetic pickup, battery charging alternator feedback or main alternator output frequency. The control also supports configurable glow plug control when applicable.

Cycle cranking - Configurable for the number of starting cycles (1 to 7) and duration of crank and rest periods. Control includes starter protection algorithms to prevent the operator from specifying a starting sequence that might be damaging.

Time delay start and stop (cooldown) - Configurable for time delay of 0-300 seconds prior to starting after receiving a remote start signal and for time delay of 0-600 seconds prior to shut down after signal to stop in normal operation modes. Default for both time delay periods is 0 seconds.

## Alternator control

The control includes an integrated line-to-line sensing voltage regulation system that is compatible with shunt or PMG excitation systems. The voltage regulation system is full wave rectified and has an SCR output for good motor starting capability. Major system features include:

Digital output voltage regulation - Capable of regulating output voltage to within +/-1.0% for any loads between no load and full load. Voltage drift will not exceed +/-1.5% for a 40 °C (104 °F) change in temperature in an eight hour period. On engine starting or sudden load acceptance, voltage is controlled to a maximum of 5% overshoot over nominal level.

The automatic voltage regulator feature can be disabled to allow the use of an external voltage regulator.

Torque-matched V/Hz overload control - The voltage roll-off set point and rate of decay (i.e. the slope of the V/Hz curve) is adjustable in the control.

## Protective Functions

On operation of a protective function the control will indicate a fault by illuminating the appropriate status LED on the HMI, as well as display the fault code and fault description on the LCD. The nature of the fault and time of occurrence are logged in the control. The service manual and InPower service tool provide service keys and procedures based on the service codes provided. Protective functions include:

### Battle short mode

When enabled and the battle short switch is active, the control will allow some shutdown faults to be bypassed. If a bypassed shutdown fault occurs, the fault code and description will still be annunciated, but the genset will not shutdown. This will be followed by a fail to shutdown fault. Emergency stop shutdowns and others that are critical for proper operation are not bypassed. Please refer to the Control Application Guide or Manual for list of these faults.

### Configurable alarm and status inputs

The control accepts up to four alarm or status inputs (configurable contact closed to ground or open) to indicate a configurable (customer-specified) condition. The control is programmable for warning, shutdown or status indication and for labelling the input.

### Emergency stop

Annunciated whenever either Emergency stop signal is received from external switch.

### General engine protection

Low and high battery voltage warning - Indicates status of battery charging system (failure) by continuously monitoring battery voltage.

Weak battery warning - The control system will test the battery each time the generator set is signaled to start and indicate a warning if the battery indicates impending failure.

Fail to start (overcrank) shutdown - The control system will indicate a fault if the generator set fails to start by the completion of the engine crank sequence.

Fail to crank shutdown - Control has signaled starter to crank engine but engine does not rotate.

Cranking lockout - The control will not allow the starter to attempt to engage or to crank the engine when the engine is rotating.

### Hydro mechanical fuel system engine protection

Overspeed shutdown - Default setting is 115% of nominal.

Low lube oil pressure warning/shutdown - Level is pre-set (configurable with InPower) to match the capabilities of the engine used. Control includes time delays to prevent nuisance alarms.

High lube oil temperature warning/shutdown - Level is pre-set (configurable with InPower) to match the capabilities of the engine used. Control includes time delays to prevent nuisance alarms.

High engine temperature warning/shutdown - Level is pre-set (configurable with InPower) to match the capabilities of the engine used. Control includes time delays to prevent nuisance alarms.

Low coolant temperature warning - Indicates that engine temperature may not be high enough for a 10 second start or proper load acceptance.

Sensor failure indication - Logic is provided on the base control to detect analog sensor or interconnecting wiring failures.

## Full authority electronic engine protection

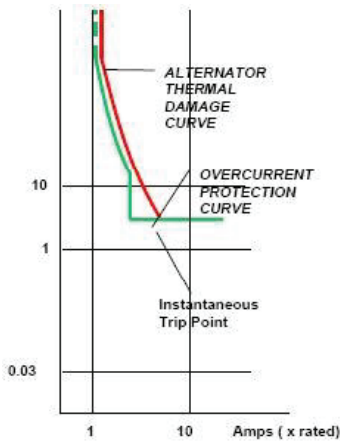
Engine fault detection is handled inside the engine ECM. Fault information is communicated via the SAE-J1939 data link for annunciation in the HMI

## Alternator protection

High AC voltage shutdown (59) - Output voltage on any phase exceeds pre-set values. Time to trip is inversely proportional to amount above threshold. Values adjustable from 105-130% of nominal voltage, with time delay adjustable from 0.1-10 seconds. Default value is 110% for 10 seconds.

Low AC voltage shutdown (27) - Voltage on any phase has dropped below a pre-set value. Adjustable over a range of 50-95% of reference voltage, time delay 2-20 seconds. Default value is 85% for 10 seconds.

Overcurrent warning/shutdown - Implementation of the thermal damage curve with instantaneous trip level calculated based on current transformer ratio and application power rating.



Under frequency shutdown (81 u) - Generator set output frequency cannot be maintained. Settings are adjustable from 2-10 Hz below nominal governor set point, for a 5-20 second time delay. Default: 6 Hz, 10 seconds.

Over frequency shutdown/warning (81o) - Generator set is operating at a potentially damaging frequency level. Settings are adjustable from 2-10 Hz above nominal governor set point for a 1-20 second time delay. Default: 6 Hz, 10 seconds, enabled.

Loss of sensing voltage shutdown - Shutdown of generator set will occur on loss of voltage sensing inputs to the control.

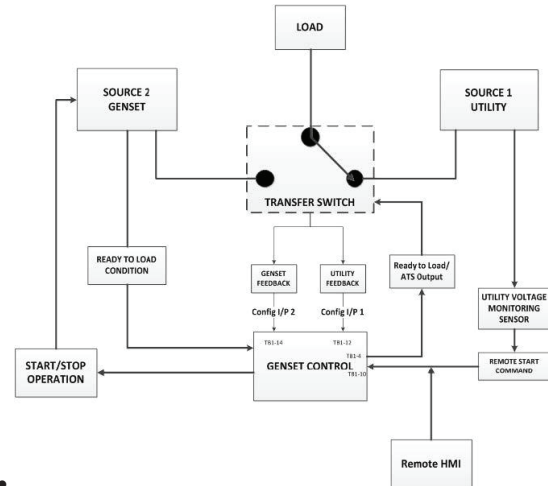
Field overload shutdown - Uses field voltage to shutdown generator set when a field overload condition occurs.

## Advanced Functions

### Automatic mains failure\*

The built in AMF feature provides the automatic transfer and re-transfer of the load from utility to generator set and vice-versa.

- Automatically starts-stops the generator set in the event of utility failure.
- Annunciates faults.



- \* A utility voltage monitoring sensor (as shown in the AMF diagram above) must be connected in order to use the AMF feature on the 1302 control. Use Schneider Electric Relay RSB1A120U7 and Socket RSZE1S35M.

### Exerciser clock

The exerciser clock runs the generator set exerciser routines for dependability of operation.

### Field Control Interface

#### Input signals to the base control include:

- Remote start
- Local and Emergency stop
- Configurable inputs: Control includes (4) input signals from customer discrete devices that are configurable for warning, shutdown or status indication, as well as message displayed.

#### Output signals from the PowerCommand control include:

- Configurable relay outputs: Control includes (2) relay output contacts rated at 2 A. These outputs can be configured to activate on any control warning or shutdown fault as well as ready to load, not in auto, common alarm, common warning and common shutdown.
- Ready to load (generator set running) signal: Operates when the generator set has reached 90% of rated speed and voltage and latches until generator set is switched to off or idle mode.



## PowerCommand Human Machine Interface HMI211



### Description

This control system includes an intuitive operator interface panel that allows for complete genset control as well as system metering, fault annunciation, configuration and diagnostics. The interface includes five generator set status LED lamps with both internationally accepted symbols and English text to comply with customer needs. The interface also includes an LED backlit LCD display with tactile feel soft-switches for easy operation and screen navigation. It is configurable for units of measurement and has adjustable screen contrast and brightness.

The *run/off/auto* switch function is integrated into the interface panel.

All data on the control can be viewed by scrolling through screens with the navigation keys. The control displays the current active fault and a time-ordered history of the five previous faults.

### Features

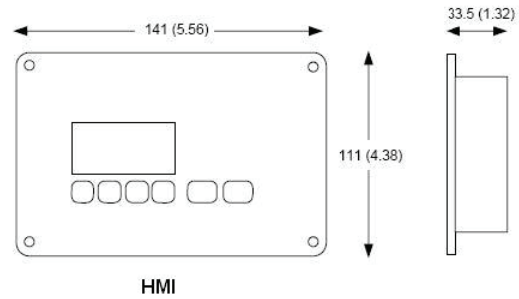
- LED indicating lamps:
  - Remote start
  - Not in auto
  - Shutdown
  - Warning
  - Auto
  - Run
- 128 x 64 pixels graphic LED backlight LCD.
- Four tactile feel membrane switches for LCD defined operation. The functions of these switches are defined dynamically on the LCD.
- Two tactile feel membrane switches dedicated for off and back.
- Allows for complete genset control setup.
- Certifications: Suitable for use on generator sets that are designed, manufactured, tested and certified to relevant UL, NFPA, ISO, IEC, Mil Std., CE and CSA standards.
- HMI 211RS provides convenience for residential use.

### Communications Connections

PC tool interface - This RS-485 communication port allows the HMI to communicate with a personal computer running InPower.

This RS-485 communication port allows the HMI to communicate with the main control board.

## Mechanical Drawing



Dimensions: mm (inches)

### Software

InPower (beyond 6.0 version) is a PC-based software service tool that is designed to directly communicate to PowerCommand generator sets and transfer switches, to facilitate service and monitoring of these products.

### Environment

The control is designed for proper operation without recalibration in ambient temperatures from  $-40^{\circ}\text{C}$  ( $-40^{\circ}\text{F}$ ) to  $+70^{\circ}\text{C}$  ( $158^{\circ}\text{F}$ ), and for storage from  $-55^{\circ}\text{C}$  ( $-67^{\circ}\text{F}$ ) to  $+80^{\circ}\text{C}$  ( $176^{\circ}\text{F}$ ). Control will operate with humidity up to 95%, non-condensing.

The HMI is designed for proper operation in ambient temperatures from  $-40^{\circ}\text{C}^*$  ( $-40^{\circ}\text{F}$ ) to  $+70^{\circ}\text{C}$  ( $158^{\circ}\text{F}$ ), and for storage from  $-40^{\circ}\text{C}^*$  ( $-40^{\circ}\text{F}$ ) to  $+80^{\circ}\text{C}$  ( $176^{\circ}\text{F}$ ).

The control board is fully encapsulated to provide superior resistance to dust and moisture. Display panel has a single membrane surface, which is impervious to effects of dust, moisture, oil and exhaust fumes. This panel uses a sealed membrane to provide long reliable service life in harsh environments.

The control system is specifically designed and tested for resistance to RFI/EMI and to resist effects of vibration to provide a long reliable life when mounted on a generator set. The control includes transient voltage surge suppression to provide compliance to referenced standards.

\* Heater accessory (pn: A040H853) is available for enhanced operation below  $-20^{\circ}\text{C}$

### Certifications

PowerCommand meets or exceeds the requirements of the following codes and standards:

- NFPA 110 for level 1 and 2 systems.
- ISO 8528-4: 1993 compliance, controls and switchgear.
- CE marking: The control system is suitable for use on generator sets to be CE-marked.
- EN 50081-1,2 residential/light industrial emissions or industrial emissions.
- EN 50082-1,2 residential/light industrial or industrial susceptibility.
- ISO 7637-2, level 2; DC supply surge voltage test.
- Mil Std. 202C, Method 101 and ASTM B117: Salt fog test.
- PowerCommand control systems and generator sets are designed and manufactured in ISO 9001 certified facilities.
- UL 6200 recognized and suitable for use on UL 2200 Listed generator sets.
- CSA C282-M1999 compliance.
- CSA 22.2 No. 14 M91 industrial controls.

## Warranty

All components and subsystems are covered by an express limited one year warranty. Other optional and extended factory warranties and local distributor maintenance agreements are available

## Accessories

1301-1302 Upgrade Kit (HM)	0541-1431
PowerCommand 500 (LAN)	A040X126
Remote HMI 211	0541-1394
Remote HMI 211RS	A046K103
I/O Expansion (Aux 101)	0541-1291
HMI Heater Accessory Kit	A040H853

## Parts Ordering Information

1302 Control Board	0327-1617-02
1302 control Board – Arrow	A043W505
Aux 104 (Governor Control)	0327-1507
HMI 211 Without Heater	0300-6014
HMI 211 with Heater	A026G237

## Additional Resources

Resource	Where to find
1302 Service Manual	QSOL
Accessories Catalog	cumminspower.com
Additional Controls Information	PowerSuite Library



For more information contact your local Cummins distributor or visit [power.cummins.com](http://power.cummins.com)

**Our energy working for you.™**







# Alternator data sheet

Frame size: **UCD3J**

<b>Characteristics</b>										
<b>Weights:</b>		Wound stator assembly:		670.205 lb		304 kg				
		Rotor assembly:		597.45 lb		271.9 kg				
		Complete alternator:		1602.76 lb		727 kg				
<b>Maximum speed:</b>				2250 rpm						
<b>Excitation current:</b>		Full load:		2.20 Amps						
		No load:		0.50 Amps						
<b>Insulation system:</b>		Class H throughout								
<b>1 ∅ Ratings</b> (1.0 power factor)		<b>60 Hz</b> (winding no)				<b>50 Hz</b> (winding no)				
(Based on specific temperature rise at 40 °C ambient temperature)		Double delta		4 lead		Double delta				
		<u>120/240</u>		<u>120/240</u>		<u>110-120</u> <u>220-240</u>				
125 °C Rise ratings kW/kVA		161/201		175/219		140/175				
105 °C Rise ratings kW/kVA		150/188		157/196		126/158				
<b>3 ∅ Ratings</b> (0.8 power factor)		Upper broad range			LBR*	347/600	Broad range			
(Based on specified temperature rise at 40 °C ambient temperature)		120/208	127/220	139/240	190-208		110/190	115/200	120/208	127/220
		<u>240/416</u>	<u>255/440</u>	<u>277/480</u>	<u>380-416</u>	<u>347/600</u>	<u>220/380</u>	<u>230/400</u>	<u>240/415</u>	<u>254/440</u>
150 °C Rise ratings kW		230	240	255	255	230	200	200	200	172
		kVA	288	300	319	288	250	250	250	215
<b>125 °C Rise ratings</b> kW		215	225	240	240	215	184	184	184	164
		kVA	269	281	300	269	230	230	230	205
105 °C Rise ratings kW		200	211	220	220	200	168	168	168	148
		kVA	250	264	275	250	210	210	210	185
80 °C Rise ratings kW		170	180	190	190	170	154	154	154	128
		kVA	213	225	238	213	193	193	193	160
<b>3 ∅ Reactances</b> (per unit, ±10%)		<b>416</b>	<b>440</b>	<b>480</b>	<b>380</b>	<b>600</b>	<b>380</b>	<b>400</b>	<b>415</b>	<b>440</b>
(Based on full load at 105 °C rise rating)										
Synchronous		2.651	2.457	2.221	2.00	2.00	1.939	1.75	1.626	N/A
Transient		0.164	0.153	0.137	0.13	0.13	0.103	0.093	0.086	N/A
Subtransient		0.096	0.09	0.08	0.07	0.07	0.07	0.064	0.059	N/A
Negative sequence		0.117	0.109	0.098	0.14	0.14	0.117	0.105	0.098	N/A
Zero sequence		0.048	0.045	0.04	0.04	0.04	0.044	0.04	0.037	N/A
<b>3 ∅ Motor starting</b>		Broad range			LBR*	600	Broad range			
Maximum kVA (Shunt)		770			770	770	535			
(90% sustained voltage) (PMG)		920			920	920	678			
<b>Time constants</b> (Sec)										
Transient		0.045			0.045	0.045	0.045			
Subtransient		0.015			0.015	0.015	0.015			
Open circuit		1.270			1.270	1.270	1.270			
DC		0.030			0.030	0.030	0.030			
<b>Windings</b> (@ 20° C)										
Stator resistance (Ohms per phase)		0.0128			0.0128	0.0128	0.0128			
Rotor resistance (Ohms)		2.0000			2.0000	2.0000	2.0000			
Number of leads		12			12	6	12			

\* Lower broad range 110/190 thru 120/208, 220/380 thru 240/416.



## Prototype Test Supported Emergency/Standby Generator Sets Certification

Cummins Power Generation certifies that its commercial generator sets bearing the Prototype Test Supported (PTS) seal have been subjected to a design and development process that includes extensive prototype testing and evaluation. A PTS production model is engineered and manufactured according to documentation developed through comprehensive research, design and design verification.

Design verification is based on tests of preproduction prototype models manufactured specifically for prototype test purposes and not sold as new equipment. To be certified as a PTS model, the generator set must satisfy these prerequisites:

**DESIGN** - The PTS certified generator set must be designed specifically for emergency/standby applications that require high reliability and rapid response.

**PROTOTYPE TESTING** - Design suitability of the PTS certified generator set must be proven by tests on preproduction prototype models. The prototype test program is intended to:

1. Confirm the engine and generator have reserve capacity beyond rating to minimize the potential of damage or shutdown during steady state or transient loading conditions, including momentary overloads.
2. Demonstrate generator set, controls and accessories capability to perform reliably and compatibly in service during disturbances common in actual load circuits.
3. Verify the integrity of the generator and excitation system insulation systems and electrical components to withstand heating under rated load and transient overcurrent conditions.
4. Evaluate generator set mechanical and electrical strength to perform without damage during abnormal operating conditions, such as short circuits or out-of-phase paralleling. While operating at rated load, the generator set must be subjected to several 3-phase short circuits of 20 second duration. After the tests, the generator set is inspected to verify that no electrical or mechanical damage was incurred by any components.
5. Determine by endurance testing that no resonance conditions exist in the generator set or accessories that will cause premature failure of components on production units.
6. Investigate and identify failure modes to minimize the risk of any single component failure or human error that could lead to lack of essential electrical supply.
7. Provide a margin of safety, by actual trials, between the generator set component design and protection systems so that the components are not damaged before the protective devices activate a shutdown.

**DOCUMENTATION AND SOFTWARE** - The PTS certified generator set must be documented in a single drawing package with all components identified with Cummins Power Generation part numbers. A PTS test certificate must be created for each PTS generator set certifying the PTS testing performed.

**QUALITY ASSURANCE** - Engineering drawings, specifications and test requirements for a PTS certified generator set must be classified by components and assembly quality characteristics. A component and process inspection and test plan must be developed and maintained to measure product conformance to documentation requirements.

**PRODUCTION MODEL TESTING** - PTS certified generator sets must be subjected to complete production tests that demonstrate conformance to specifications at all rated conditions, including start-up, full load pickup and a performance run at full rated load and power factor.



## Prototype Test Support (PTS) 60 Hz test summary



<u>Generator set models</u>	<u>Representative prototype</u>
C125D6D	Model: <span style="background-color: #90EE90;">C200D6D</span>
C150D6D	Engine: QSB7-G5 NR3
C175D6D	Alternator: UC DI274K

The following summarizes prototype testing conducted on the designated representative prototype of the specified models. This testing is conducted to verify the complete generator set electrical and mechanical design integrity. Prototype testing is conducted only on generator sets not sold as new equipment.

**Maximum surge power: 211.5 kW**  
The generator set was evaluated to determine the stated maximum surge power.

**Alternator temperature rise:**  
The highest rated temperature rise (20 °C) test result are reported as follows to verify that worst case temperature rises do not exceed allowable NEMA MG1 limits for class H insulation. Tests were conducted per IEEE 115, rise by resistance and embedded detector, with rated voltages. Only the highest temperatures are reported.

**Torsional analysis and testing:**  
The generator set with UC DI274K was tested to verify that the design is not subjected to harmful torsional stresses. A spectrum analysis of the transducer output was conducted over the speed range of 1710 to 1890 RPM.

**Cooling system:** 49 °C ambient  
0.5 in H2O restriction

The cooling system was tested to determine ambient temperature and static restriction capabilities. The test was performed at full rated load elevated ambient temperature under static restriction conditions.

**Durability:**  
The generator set was subjected to a 500 hour endurance test replicating field duty cycles operating at variable load up to the standby rating based upon MIL-STD-705 to verify structural soundness and durability of the design.

**Electrical and mechanical strength:**  
The generator set was tested to several single phase and three phase faults to verify that the generator can safely withstand the forces associated with short circuit conditions. The generator set was capable of producing full rated output at the conclusion of the testing.

**Steady state performance:**  
The generator set was tested to verify steady state operating performance. It was within the specified maximum limits.

Voltage regulation: ± 0.5%  
Random voltage variation: ± 0.5%  
Frequency regulation: Isochronous  
Random frequency variation: ± 0.25%

**Transient performance:**  
The generator set was tested with the listed alternator to verify single step loading capability as required by NFPA 110. Voltage and frequency response on load addition or rejection were evaluated. The following results were recorded at 0.8 power factor:

Full load acceptance:

Voltage dip: 29.4%  
Recovery time: 3.3 seconds  
Frequency dip: 20.3%  
Recovery time: 4.4 seconds

Full load rejection:

Voltage rise: 32.7%  
Recovery time: 1.4 seconds  
Frequency rise: 11%  
Recovery time: 2.1 seconds

All data based on 0.8 power factor:

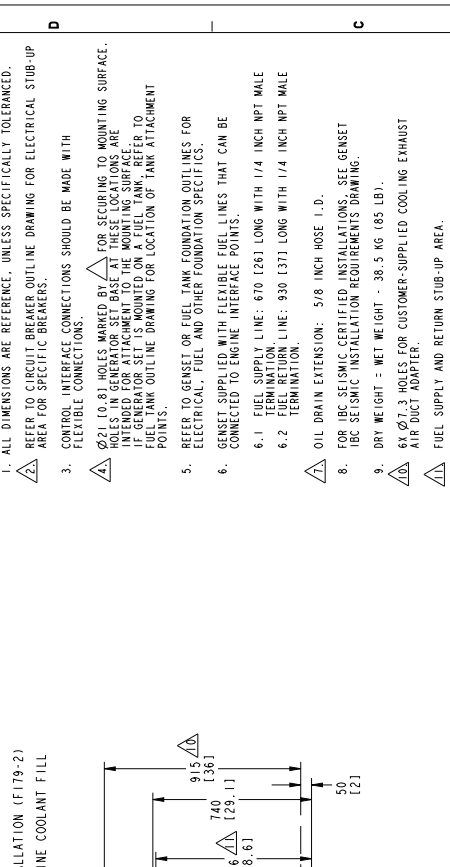
**Harmonic analysis:**  
(per MIL-STD-705B, Method 601.4)

Harmonic	<u>Line to Line</u>		<u>Line to Neutral</u>	
	<u>No load</u>	<u>Full load</u>	<u>No load</u>	<u>Full load</u>
3	0.0	0.1	0.2	1.1
5	0.9	0.9	0.9	0.9
7	0.7	2.2	0.7	2.2
9	0.0	0.0	0.7	1.2
11	0.0	0.2	0.1	0.2
13	0.1	0.1	0.0	0.1
15	0.0	0.0	0.2	0.4

Open Unit (Wet) - 3,491 lbs  
 Enclosure Weight - 284 lbs  
 Fuel Tank Weight (Dry) - 1,477 lbs  
 Total Shipping Weight (Generator Wet Weight/Fuel Tank Dry Weight) - 5,252 lbs

REV. NO.	REV. DATE	DESCRIPTION	BY	CHK.	APP.
ECO-176532	X	1	PRODUCTION RELEASE		

1. ALL DIMENSIONS ARE REFERENCE, UNLESS SPECIFICALLY TOLERANCED.  
 2. REFER TO CIRCUIT BREAKER OUTLINE DRAWING FOR ELECTRICAL STUB-UP AREA FOR SPECIFIC BREAKERS.  
 3. CONTROL INTERFACE CONNECTIONS SHOULD BE MADE WITH FLEXIBLE CONNECTIONS.  
 4. Ø51.10 (Ø1 INCH) HOLES MARKED BY ▲ FOR SECURING TO MOUNTING SURFACE. HOLES IN GENERATOR SET BASE AT THESE LOCATIONS ARE INTENDED FOR ATTACHMENT TO THE MOUNTING SURFACE. IF GENERATOR SET IS MOUNTED ON A FUEL TANK, REFER TO FUEL TANK OUTLINE DRAWING FOR LOCATION OF TANK ATTACHMENT POINTS.  
 5. REFER TO GENSET OR FUEL TANK FOUNDATION OUTLINES FOR ELECTRICAL, FUEL AND OTHER FOUNDATION SPECIFICS.  
 6. GENSET SUPPLIED WITH FLEXIBLE FUEL LINES THAT CAN BE CONNECTED TO ENGINE INTERFACE POINTS.  
 6.1 FUEL SUPPLY LINE: 670 (263) LONG WITH 1/4 INCH NPT MALE TERMINATION.  
 6.2 FUEL RETURN LINE: 930 (371) LONG WITH 1/4 INCH NPT MALE TERMINATION.  
 7. OIL DRAIN EXTENSION: 5/8 INCH HOSE 1 D.  
 8. FOR IBC-SEISMIC CERTIFIED INSTALLATIONS, SEE GENSET IBC SEISMIC INSTALLATION REQUIREMENTS DRAWING.  
 9. DRY WEIGHT = NET WEIGHT - 38.5 KG (85 LB).  
 ▲ 8X Ø1.3 HOLES FOR CUSTOMER-SUPPLIED COOLING EXHAUST AIR DUCT ADAPTER.  
 ▲ FUEL SUPPLY AND RETURN STUB-UP AREA.

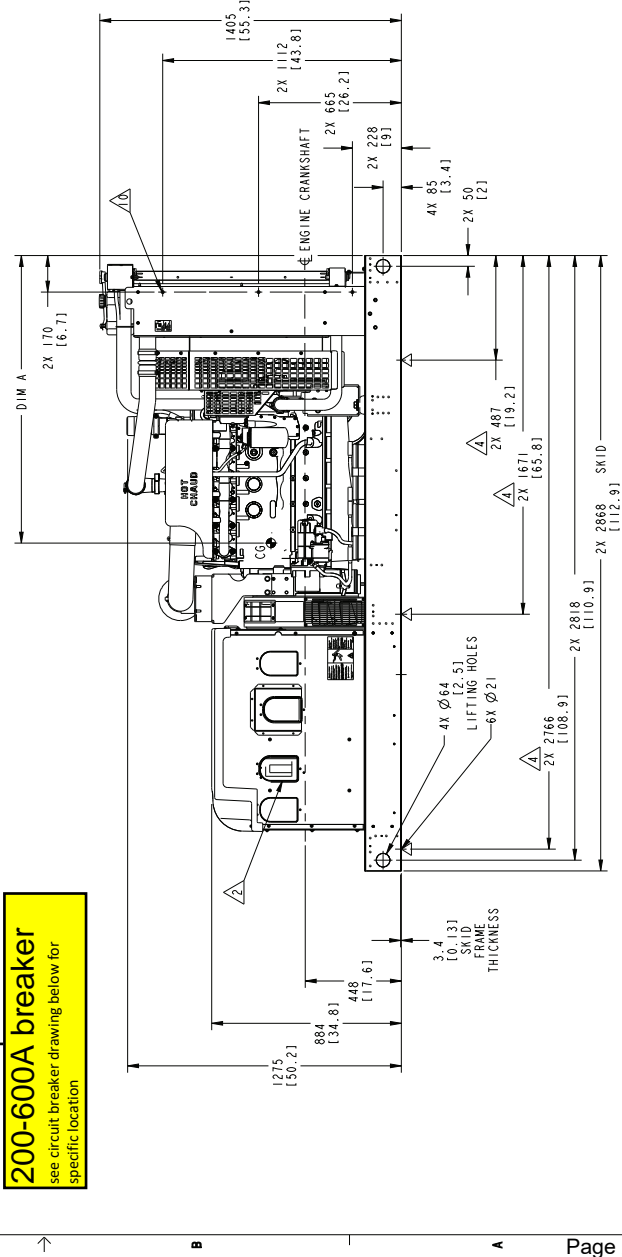


**200-600A breaker**  
 see circuit breaker drawing below for specific location

add this weight to the enclosure and fuel tank weights for overall shipping weight.  
 Use the enclosure and fuel tank drawings for overall shipping dimensions.

ALT DATA SHEET #	DIM A	DIM B	GENSET NET WEIGHT	
			KG	LB
ADS-208	1414	504	1340	2955
ADS-209	1443	502	1390	3064
ADS-210	1470	500	1442	3179
ADS-211	1483	499	1480	3262
ADS-212	1526	495	1583	3491
ADS-213	1526	495	1583	3491

C125D6D, C150D6D, C175D6D, C200D6D



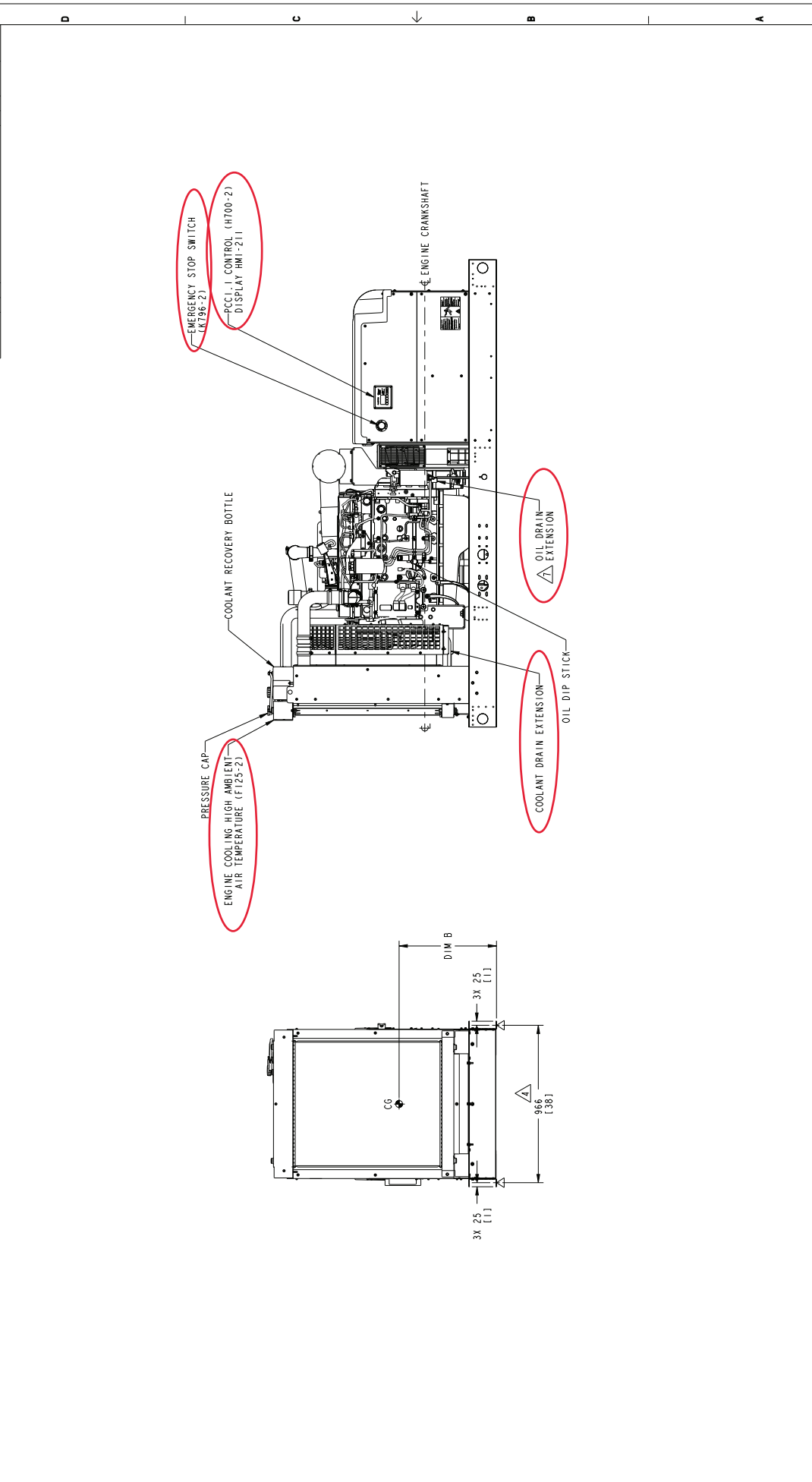
UNLESS OTHERWISE SPECIFIED, ALL DIMENSIONS ARE IN MILLIMETERS	SCALE: 1:1	DATE: 08/11/10	REV: 1
0.00 - 4.99	±0.15	15.00 - 49.99	±0.25
5.00 - 9.99	±0.25	50.00 - 99.99	±0.38
10.00 - 14.99	±0.38	100.00 - 149.99	±0.51
15.00 - 24.99	±0.51	150.00 - 249.99	±0.64
25.00 - 39.99	±0.64	250.00 - 399.99	±0.76
40.00 - 74.99	±0.76	400.00 - 749.99	±0.89
75.00 - 119.99	±0.89	750.00 - 1199.99	±1.02
120.00 - 199.99	±1.02	1200.00 - 1999.99	±1.15
200.00 - 334.99	±1.15	2000.00 - 3349.99	±1.28
335.00 - 509.99	±1.28	5000.00 - 5099.99	±1.41
510.00 - 999.99	±1.41	9999.99 - 9999.99	±1.54

DESIGNED BY: D. GILBERT  
 CHECKED BY: D. GILBERT  
 APPROVED BY: D. GILBERT  
 DATE: 08/11/10

UNLESS OTHERWISE SPECIFIED, ALL DIMENSIONS ARE IN MILLIMETERS

SCALE: 1:1

REV. NO.	REV. DATE	REV. BY	REV. FOR
ECO-176532	X 1	PRODUCTION RELEASE	



UNLESS OTHERWISE SPECIFIED, ALL DIMENSIONS ARE IN MILLIMETERS	
FR.	IN.
0.00	0.00
0.05	0.00
0.10	0.00
0.15	0.00
0.20	0.00
0.25	0.00
0.30	0.00
0.35	0.00
0.40	0.00
0.45	0.00
0.50	0.00
0.55	0.00
0.60	0.00
0.65	0.00
0.70	0.00
0.75	0.00
0.80	0.00
0.85	0.00
0.90	0.00
0.95	0.00
1.00	0.00
1.05	0.00
1.10	0.00
1.15	0.00
1.20	0.00
1.25	0.00
1.30	0.00
1.35	0.00
1.40	0.00
1.45	0.00
1.50	0.00
1.55	0.00
1.60	0.00
1.65	0.00
1.70	0.00
1.75	0.00
1.80	0.00
1.85	0.00
1.90	0.00
1.95	0.00
2.00	0.00
2.05	0.00
2.10	0.00
2.15	0.00
2.20	0.00
2.25	0.00
2.30	0.00
2.35	0.00
2.40	0.00
2.45	0.00
2.50	0.00
2.55	0.00
2.60	0.00
2.65	0.00
2.70	0.00
2.75	0.00
2.80	0.00
2.85	0.00
2.90	0.00
2.95	0.00
3.00	0.00
3.05	0.00
3.10	0.00
3.15	0.00
3.20	0.00
3.25	0.00
3.30	0.00
3.35	0.00
3.40	0.00
3.45	0.00
3.50	0.00
3.55	0.00
3.60	0.00
3.65	0.00
3.70	0.00
3.75	0.00
3.80	0.00
3.85	0.00
3.90	0.00
3.95	0.00
4.00	0.00
4.05	0.00
4.10	0.00
4.15	0.00
4.20	0.00
4.25	0.00
4.30	0.00
4.35	0.00
4.40	0.00
4.45	0.00
4.50	0.00
4.55	0.00
4.60	0.00
4.65	0.00
4.70	0.00
4.75	0.00
4.80	0.00
4.85	0.00
4.90	0.00
4.95	0.00
5.00	0.00
5.05	0.00
5.10	0.00
5.15	0.00
5.20	0.00
5.25	0.00
5.30	0.00
5.35	0.00
5.40	0.00
5.45	0.00
5.50	0.00
5.55	0.00
5.60	0.00
5.65	0.00
5.70	0.00
5.75	0.00
5.80	0.00
5.85	0.00
5.90	0.00
5.95	0.00
6.00	0.00
6.05	0.00
6.10	0.00
6.15	0.00
6.20	0.00
6.25	0.00
6.30	0.00
6.35	0.00
6.40	0.00
6.45	0.00
6.50	0.00
6.55	0.00
6.60	0.00
6.65	0.00
6.70	0.00
6.75	0.00
6.80	0.00
6.85	0.00
6.90	0.00
6.95	0.00
7.00	0.00
7.05	0.00
7.10	0.00
7.15	0.00
7.20	0.00
7.25	0.00
7.30	0.00
7.35	0.00
7.40	0.00
7.45	0.00
7.50	0.00
7.55	0.00
7.60	0.00
7.65	0.00
7.70	0.00
7.75	0.00
7.80	0.00
7.85	0.00
7.90	0.00
7.95	0.00
8.00	0.00
8.05	0.00
8.10	0.00
8.15	0.00
8.20	0.00
8.25	0.00
8.30	0.00
8.35	0.00
8.40	0.00
8.45	0.00
8.50	0.00
8.55	0.00
8.60	0.00
8.65	0.00
8.70	0.00
8.75	0.00
8.80	0.00
8.85	0.00
8.90	0.00
8.95	0.00
9.00	0.00
9.05	0.00
9.10	0.00
9.15	0.00
9.20	0.00
9.25	0.00
9.30	0.00
9.35	0.00
9.40	0.00
9.45	0.00
9.50	0.00
9.55	0.00
9.60	0.00
9.65	0.00
9.70	0.00
9.75	0.00
9.80	0.00
9.85	0.00
9.90	0.00
9.95	0.00
10.00	0.00

CUMMINS POWER GENERATION	
OUTLINE, GENSET	
SITE CODE	PGF
REV.	D
DATE	2 of 2



## Data Sheet

# Circuit Breakers

## Description

This Data sheet provides circuit breaker manufacturer part numbers and specifications. The Circuit breaker box description is the rating of that breaker box installation on a Cummins Generator. Please refer to the website of the circuit breaker manufacturer for breaker specific ratings and technical information.

## Applicable Models

Engine	Models					
Kubota	C10D6	C15D6	C20D6			
QJSJ2.4	C20N6	C25N6	C30N6	C30N6H	C36N6	C36N6H
	C40N6	C40N6H	C50N6H	C60N6H		
B3.3	C25D6	C30D6	C35D6	C40D6	C50D6	C60D6
QJSJ5.9G	C45N6	C50N6	C60N6	C70N6	C80N6	C100N6
QJSJ8.9G	C125N6	C150N6				
QSB5	DSFAC	DSFAD	DSFAE	C50D6C	C60D6C	C80D6C
	C100D6C	C125D6C				
QSB7	DSGAA	DSGAB	DSGAC	DSGAD	DSGAE	
		C125D6D	C150D6D	C175D6D	C200D6D	
QSL9	DSHAD	DQDAA	DQDAB	DQDAC		
QSM11	DQHAB					
QSX15	DFEJ	DFEK				

## Instructions

1. Locate the circuit breaker feature code or part number and use the charts below to find the corresponding manufacturer circuit breaker catalog number.
2. Use the first letter of the circuit breaker catalog number to determine the "frame" of the breaker. If the first letter is an "N", use the second letter. Then follow the corresponding website link from the table below to find the breaker catalog number description.

Please refer to the catalog numbering systems page, which is given in the chart, to understand the nomenclature of the catalog number.

Frame	Catalog name*	Catalog number description page(s)
P	<a href="http://www.schneider-electric.us/en/download/document/0612CT0101/">0612CT0101</a> <a href="http://www.schneider-electric.us/en/download/document/0612CT0101/">http://www.schneider-electric.us/en/download/document/0612CT0101/</a>	16-17
H, J, and L	<a href="http://www.schneider-electric.us/en/download/document/0611CT1001/">0611CT1001</a> <a href="http://www.schneider-electric.us/en/download/document/0611CT1001/">http://www.schneider-electric.us/en/download/document/0611CT1001/</a>	8-9
Q	<a href="http://www.schneider-electric.us/en/download/document/0734CT0201/">0734CT0201</a> <a href="http://www.schneider-electric.us/en/download/document/0734CT0201/">http://www.schneider-electric.us/en/download/document/0734CT0201/</a>	4

\*The following link may also be used to search specifically by the breaker part number or for the catalog name listed above. <http://products.schneider-electric.us/technical-library/>

3. Search the catalog by using the first 3 letters of the breaker catalog number and the first 5 numbers to find information such as trip curves, accessories, and dimensional details regarding the circuit breaker.

\*If the catalog number starts with "N", skip the N and begin your search with the second letter.

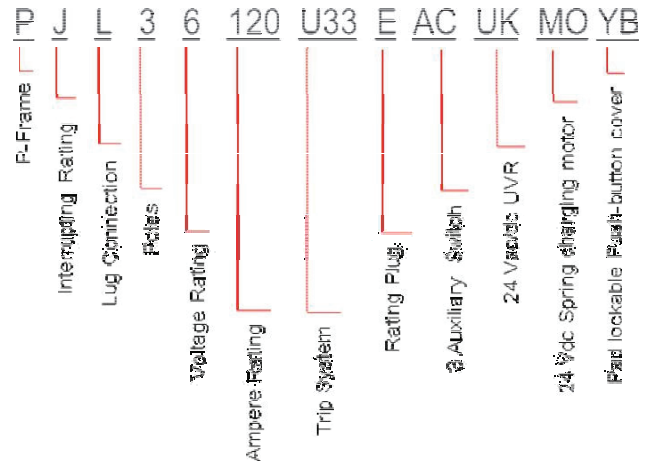
\*If the first 3 letters are "PJP," the search will not work. You will need to start with just "PJ" and use the description pages to obtain the information you are looking for on the "PJP."

### Example

After finding your circuit breaker catalog number to be "PJL36120U33EACUKMOYB," navigate to the P-frame catalog by using the link provided.

Look at pages 16-17 of the pdf catalog to find the nomenclature of the breaker.

Search the P-frame spec sheet using the search "PJL36120."



Feature Code	Breaker Box Description	Cummins Part #	Manufacturer	Breaker Catalog Number	Trip Unit	Plug Type
KX43-2	CB, Loc C, 90A, 3P, 600VAC, 80%, UL	A043K997	Schneider Electric	HDL36090	Thermal Magnetic	N/A
KX44-2	CB, Loc C, 100A, 3P, 600VAC, 80%, UL	A043L024	Schneider Electric	HDL36100	Thermal Magnetic	N/A
KX45-2	CB, Loc C, 125A, 3P, 600VAC, 80%, UL	A043K994	Schneider Electric	HDL36125	Thermal Magnetic	N/A
KX46-2	CB, Loc C, 150A, 3P, 600VAC, 80%, UL	A043K991	Schneider Electric	HDL36150	Thermal Magnetic	N/A
KX47-2	CB, Loc C, 175A, 3P, 600VAC, 80%, UL	A043L619	Schneider Electric	JDL36175	Thermal Magnetic	N/A
KX48-2	CB, Loc C, 200A, 3P, 600VAC, 80%, UL	A043L520	Schneider Electric	JDL36200	Thermal Magnetic	N/A
KX49-2	CB, Loc C, 225A, 3P, 600VAC, 80%, UL	A043L517	Schneider Electric	JDL36225	Thermal Magnetic	N/A
KX50-2	CB, Loc C, 250A, 3P, 600VAC, 80%, UL	A043L510	Schneider Electric	JDL36250	Thermal Magnetic	N/A
KX51-2	CB, Loc A, 125A-400A, 3P, LSI, 600VAC, 80%, UL	A045U083	Schneider Electric	NLGL36400U33XLY-400A	MicroLogic 3.3S	N/A
KX52-2	CB, Loc B, 125A-400A, 3P, LSI, 600VAC, 80%, UL	A045U083	Schneider Electric	NLGL36400U33XLY-400A	MicroLogic 3.3S	N/A
KY06-2	CB, Loc A, 200A-600A, 3P, LSI, 600VAC, 100%, UL	A044T468	Schneider Electric	NLGL36600U33X-600A	MicroLogic 3.3S	N/A
KY08-2	CB, Loc A, 672A-800A, 3P, LSI, 600VAC, 80%, UL	A054K391	Schneider Electric	PJL36080U33F	MicroLogic 3.3S	N/A
KY07-2	CB, Loc B, 200A-600A, 3P, LSI, 600VAC, 100%, UL	A044T468	Schneider Electric	NLGL36600U33X-600A	MicroLogic 3.3S	N/A
KY09-2	CB, Loc B, 672A-800A, 3P, LSI, 600VAC, 80%, UL	A054K391	Schneider Electric	PJL36080U33F	MicroLogic 3.3S	N/A
KY12-2	CB, Loc A, 672A-800A, 3P, LSI, 600VAC, 100%, UL	A054K391	Schneider Electric	PJL36080U33F	Micrologic 5.0	N/A
KY13-2	CB, Loc A, 672A-800A, 3P, LSI, 600VAC, 100%, UL	A054K391	Schneider Electric	PJL36080U33F	Micrologic 5.0	N/A



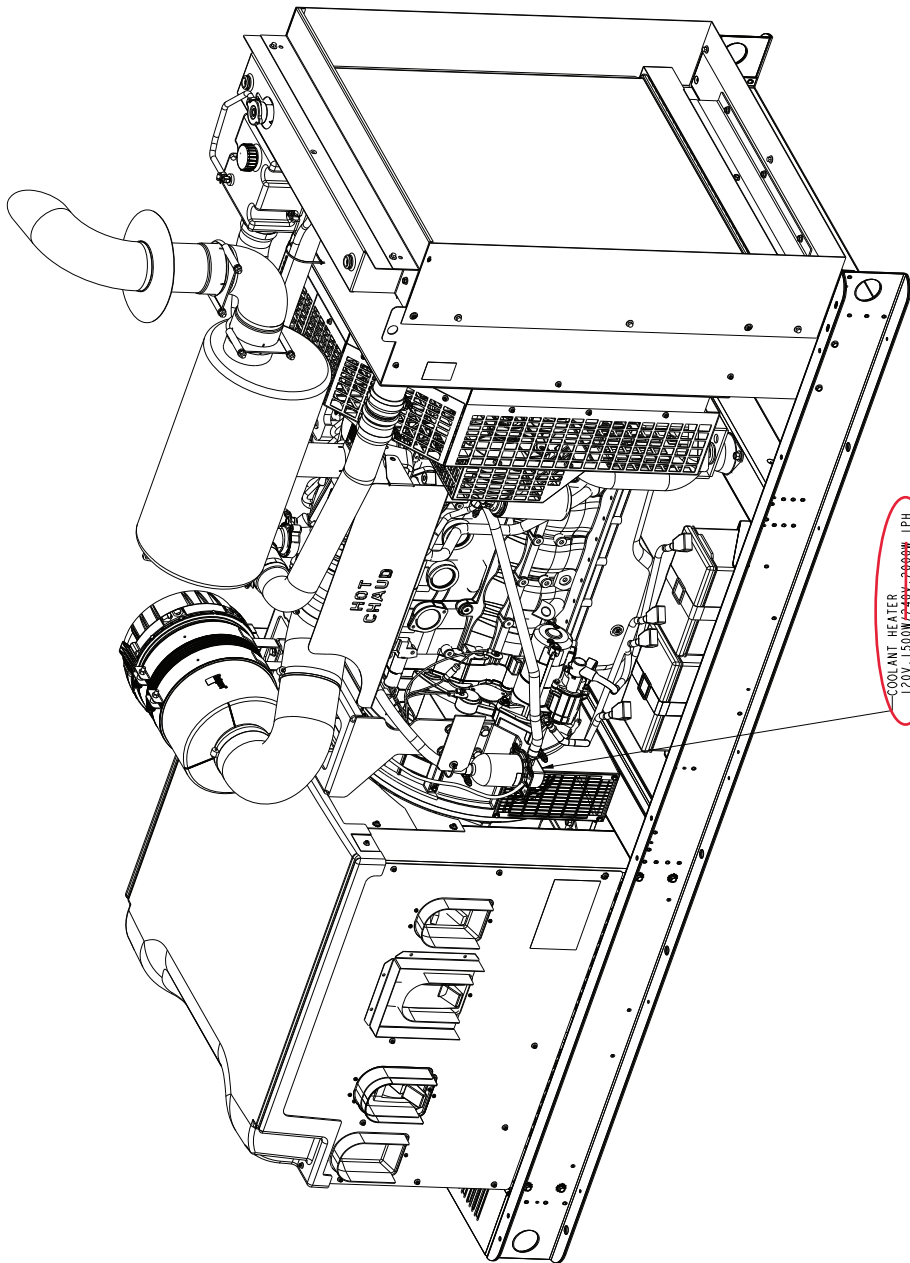








REV	DATE	DESCRIPTION	BY	CHK
ECO-176532	X 1	PRODUCTION RELEASE		



COOLANT HEATER  
120V-1500W/244V-6000W IPH  
(E153-2/E154-2)

UNLESS OTHERWISE SPECIFIED, ALL DIMENSIONS ARE IN MILLIMETERS		REV	DATE	DESCRIPTION	BY	CHK
1	0.00	4.30	15.07	0.00		
2	0.00	1.49	10.25	0.13		
3	1.00	1.49	10.25	0.13		
4	1.00	1.49	10.25	0.13		
5	1.00	1.49	10.25	0.13		
6	1.00	1.49	10.25	0.13		
7	1.00	1.49	10.25	0.13		
8	1.00	1.49	10.25	0.13		
9	1.00	1.49	10.25	0.13		
10	1.00	1.49	10.25	0.13		
11	1.00	1.49	10.25	0.13		
12	1.00	1.49	10.25	0.13		
13	1.00	1.49	10.25	0.13		
14	1.00	1.49	10.25	0.13		
15	1.00	1.49	10.25	0.13		
16	1.00	1.49	10.25	0.13		
17	1.00	1.49	10.25	0.13		
18	1.00	1.49	10.25	0.13		
19	1.00	1.49	10.25	0.13		
20	1.00	1.49	10.25	0.13		
21	1.00	1.49	10.25	0.13		
22	1.00	1.49	10.25	0.13		
23	1.00	1.49	10.25	0.13		
24	1.00	1.49	10.25	0.13		
25	1.00	1.49	10.25	0.13		
26	1.00	1.49	10.25	0.13		
27	1.00	1.49	10.25	0.13		
28	1.00	1.49	10.25	0.13		
29	1.00	1.49	10.25	0.13		
30	1.00	1.49	10.25	0.13		
31	1.00	1.49	10.25	0.13		
32	1.00	1.49	10.25	0.13		
33	1.00	1.49	10.25	0.13		
34	1.00	1.49	10.25	0.13		
35	1.00	1.49	10.25	0.13		
36	1.00	1.49	10.25	0.13		
37	1.00	1.49	10.25	0.13		
38	1.00	1.49	10.25	0.13		
39	1.00	1.49	10.25	0.13		
40	1.00	1.49	10.25	0.13		
41	1.00	1.49	10.25	0.13		
42	1.00	1.49	10.25	0.13		
43	1.00	1.49	10.25	0.13		
44	1.00	1.49	10.25	0.13		
45	1.00	1.49	10.25	0.13		
46	1.00	1.49	10.25	0.13		
47	1.00	1.49	10.25	0.13		
48	1.00	1.49	10.25	0.13		
49	1.00	1.49	10.25	0.13		
50	1.00	1.49	10.25	0.13		
51	1.00	1.49	10.25	0.13		
52	1.00	1.49	10.25	0.13		
53	1.00	1.49	10.25	0.13		
54	1.00	1.49	10.25	0.13		
55	1.00	1.49	10.25	0.13		
56	1.00	1.49	10.25	0.13		
57	1.00	1.49	10.25	0.13		
58	1.00	1.49	10.25	0.13		
59	1.00	1.49	10.25	0.13		
60	1.00	1.49	10.25	0.13		
61	1.00	1.49	10.25	0.13		
62	1.00	1.49	10.25	0.13		
63	1.00	1.49	10.25	0.13		
64	1.00	1.49	10.25	0.13		
65	1.00	1.49	10.25	0.13		
66	1.00	1.49	10.25	0.13		
67	1.00	1.49	10.25	0.13		
68	1.00	1.49	10.25	0.13		
69	1.00	1.49	10.25	0.13		
70	1.00	1.49	10.25	0.13		
71	1.00	1.49	10.25	0.13		
72	1.00	1.49	10.25	0.13		
73	1.00	1.49	10.25	0.13		
74	1.00	1.49	10.25	0.13		
75	1.00	1.49	10.25	0.13		
76	1.00	1.49	10.25	0.13		
77	1.00	1.49	10.25	0.13		
78	1.00	1.49	10.25	0.13		
79	1.00	1.49	10.25	0.13		
80	1.00	1.49	10.25	0.13		
81	1.00	1.49	10.25	0.13		
82	1.00	1.49	10.25	0.13		
83	1.00	1.49	10.25	0.13		
84	1.00	1.49	10.25	0.13		
85	1.00	1.49	10.25	0.13		
86	1.00	1.49	10.25	0.13		
87	1.00	1.49	10.25	0.13		
88	1.00	1.49	10.25	0.13		
89	1.00	1.49	10.25	0.13		
90	1.00	1.49	10.25	0.13		
91	1.00	1.49	10.25	0.13		
92	1.00	1.49	10.25	0.13		
93	1.00	1.49	10.25	0.13		
94	1.00	1.49	10.25	0.13		
95	1.00	1.49	10.25	0.13		
96	1.00	1.49	10.25	0.13		
97	1.00	1.49	10.25	0.13		
98	1.00	1.49	10.25	0.13		
99	1.00	1.49	10.25	0.13		
100	1.00	1.49	10.25	0.13		



# Sound Data

## C200D6D

### QSB7-G5 NR3 60Hz Diesel

### A-weighted Sound Pressure Level @ 7 meters, dB(A)

See notes 2, 5 and 7-11 listed below

Configuration	Exhaust	Applied Load	Position (Note 2)								8 Position Average
			1	2	3	4	5	6	7	8	
Standard – Unhoused	Infinite Exhaust	100% Standby	86	87	88	89	84	90	90	91	89
F216-2 Weather Aluminum	Mounted	100% Standby	87	86	84	89	85	91	84	88	87
F231-2 Sound Attenuated Level 1, Aluminum	Mounted	100% Standby	84	81	74	75	75	76	76	83	80
F217-2 Sound Attenuated Level 2, Aluminum	Mounted	100% Standby	74	73	72	73	73	73	72	74	73

### Average A-weighted Sound Pressure Level @ 1 meter, dB(A)

See notes 1, 5 and 7-14 listed below

Configuration	Exhaust	Applied Load	Octave Band Center Frequency (Hz)											Overall Sound Pressure Level
			16	31.5	63	125	250	500	1000	2000	4000	8000	16000	
Standard – Unhoused	Infinite Exhaust	100% Standby	N/A	47	69	81	91	92	93	91	90	87	91	99
F216-2 Weather Aluminum	Mounted	100% Standby	N/A	44	67	84	92	90	91	89	86	81	83	97
F231-2 Sound Attenuated Level 1, Aluminum	Mounted	100% Standby	N/A	46	62	75	81	81	82	80	77	79	77	89
F217-2 Sound Attenuated Level 2, Aluminum	Mounted	100% Standby	N/A	46	64	73	77	77	78	77	74	73	68	85

### A-weighted Sound Pressure Level @ Operator Location, dB(A)

See notes 1, 3, 5 and 7-14 listed below

Configuration	Exhaust	Applied Load	Octave Band Center Frequency (Hz)											Overall Sound Pressure Level
			16	31.5	63	125	250	500	1000	2000	4000	8000	16000	
Standard – Unhoused	Infinite Exhaust	100% Standby	N/A	43	69	79	87	90	90	91	90	89	99	101
F216-2 Weather Aluminum	Mounted	100% Standby	N/A	44	68	80	86	85	83	83	79	76	78	91
F231-2 Sound Attenuated Level 1, Aluminum	Mounted	100% Standby	N/A	50	66	75	81	82	83	79	76	76	66	88
F217-2 Sound Attenuated Level 2, Aluminum	Mounted	100% Standby	N/A	50	68	76	80	80	80	77	75	74	64	87



# Sound Data

## C200D6D

### QSB7-G5 NR3 60Hz Diesel

### A-weighted Sound Power Level, dB(A)

See notes 1, 3 and 6-14 listed below

Configuration	Exhaust	Applied Load	Octave Band Center Frequency (Hz)											Overall Sound Power Level
			16	31.5	63	125	250	500	1000	2000	4000	8000	16000	
Standard – Unhoused	Infinite Exhaust	100% Standby	N/A	64	86	99	108	109	110	109	107	104	108	117
F216-2 Weather Aluminum	Mounted	100% Standby	N/A	62	85	102	109	108	109	106	103	99	101	115
F231-2 Sound Attenuated Level 1, Aluminum	Mounted	100% Standby	N/A	64	81	93	99	99	101	99	95	97	95	107
F217-2 Sound Attenuated Level 2, Aluminum	Mounted	100% Standby	N/A	64	82	91	96	95	96	95	93	92	87	103

### Exhaust Sound Power Level, dB(A)

See notes 4 and 6-14 listed below

Configuration	Applied Load	Octave Band Center Frequency (Hz)											Overall Sound Power Level
		16	31.5	63	125	250	500	1000	2000	4000	8000	16000	
Open Exhaust (No Muffler)	100% Standby	N/A	63	94	107	117	118	115	114	115	107	95	123

Global Notes:

1. Sound pressure levels at 1 meter are measured per the requirements of ISO 3744, ISO 8528-10, and European Communities Directive 2000/14/EC as applicable. The microphone measurement locations are 1 meter from a reference parallelepiped just enclosing the generator set (enclosed or unenclosed).
2. Seven-meter measurement location 1 is 7 meters (23 feet) from the generator (alternator) end of the generator set, and the locations proceed counterclockwise around the generator set at 45° angles at a height of 1.2 meters (48 inches) above the ground surface.
3. Sound Power Levels are calculated according to ISO 3744, ISO 8528-10, and/or CE (European Union) requirements.
4. Exhaust Sound Levels are measured and calculated per ISO 6798, Annex A.
5. Reference Sound Pressure Level is 20 µPa
6. Reference Sound Power Level is 1 pW (10<sup>-12</sup> Watt)
7. Sound data for remote-cooled generator sets are based on rated load without cooling fan noise.
8. Sound data for the generator set with infinite exhaust do not include the exhaust noise contribution
9. Published sound levels are measured at CE certified test site and are subject to instrumentation measurement, installation, and manufacturing variability.
10. Unhoused/Open configuration generator sets refers to generator sets with no sound enclosures of any kind.
11. Housed/Enclosed/Closed/Canopy configuration generator sets refer to generator sets that have noise reduction sound enclosure installed over the generator set and usually integrally attached to the skid base/base frame/fuel container base of the generator set.
12. Published sound levels meet the requirements India's Central Pollution Control Board (Ministry of Environment & Forests), vide GSR 371 (E), which states the A-weighted sound level at 1 meter from any diesel generator set up to a power output rating of 1000kVA shall not exceed 75 dB(A).
13. For updated noise pollution information for India see website: <http://www.envfor.nic.in/legis/legis.html>
14. Sound levels must meet India's Ambient Air Noise Quality Standards detailed for Daytime/Nighttime operation in Noise Pollution (Regulation and Control) Rules, 2000





# Dual wall sub-base diesel fuel tanks - 10-200 kW generator sets



## Description

Cummins® offers two series of fuel tanks (basic series and regional series) for the 10~125 kW diesel generator sets. The “basic” series of fuel tanks provide economical solutions for areas with no or minimal local/regional code requirements on diesel fuel tanks. The footprint of “basic” tanks matches the generator set’s footprint. The “regional” series of fuel tanks provide flexible and upgradable solutions for areas with extensive local/regional code requirements on diesel fuel tanks. The footprint of the “regional” series of fuel tanks extends beyond the generator set to allow room for installation of optional features at factory or accessories in the field for meeting local/regional code requirements or customer specification on diesel fuel tanks. All fuel tanks and optional features are compatible with factory installed enclosures.

These tanks are constructed of heavy gauge steel and include an internally reinforced baffle structure for supporting the generator set. The fuel tank design features fewer seams and welds for better corrosion resistance performance.

These tanks are pre-treated with a conversion coating and then finished with a textured powder paint. The paint has superior UV and chemical resistance with best-in-class adhesion, flexibility, and durability to resist chipping and substrate corrosion. Both interior compartments are treated with a rust preventative for extended corrosion protection.

These tanks are UL and ULC Listed as secondary containment generator base tanks. Inner and outer containments are leak checked per UL and ULC testing procedures to ensure their integrity.

These fuel tanks are offered in various sizes to satisfy different fuel capacities requirements.

## Compatible generator set model

Engine	D1703M	V2203M	4BT3.3-G5	4BTAA3.3-G7	QSB5-G5	QSB7-G5
Generator set model names	C10D6	C20D6	C25D6	C50D6	C50D6C	C125D6D
	C15D6		C30D6	C60D6	C60D6C	C150D6D
			C35D6		C80D6C	C175D6D
			C40D6		C100D6C	C200D6D
					C125D6C	



## Regional fuel tanks

### Standard features:

**UL 142 and ULC-S601 listed** - Minimum 110% secondary IBC 2012 and 2015 certified - All optional features are seismically certified with this range of tanks and generator sets. Requires factory-installed 2 ft vent extensions or higher.

**UL 142 & ULC-S601 listed** - Minimum 125% secondary containment capacity.

**NFPA & IFC** - Capable of meeting NFPA 30, NFPA 110, and IFC codes with available factory-installed optional features.

**Emergency pressure relief vents** - Ensure adequate ventilation of the primary and secondary tank compartments under extreme temperature and emergency conditions.

**Normal atmospheric vent** - "Mushroom" style vent ensures adequate venting of the primary tank during fill, generator set running, and temperature variations. Raised above fuel fill.

**Raised fuel fill** - Includes lockable sealed fuel cap.

**Lifting eyes** - Allow lifting of fuel tank with generator set installed.

### Optional features:

**Secondary containment basin switch (rupture switch)** - Activates a warning in the event of a primary tank leak. Side Mounted.

**Low fuel level switch** - Activates a warning when 40% of the fuel is left in the tank.

**Fuel level gauge** - Provides direct reading of fuel level. Top mounted.

**Electric fuel level sender with gauge** - Allows remote electrical monitoring of fuel tank level. Flying leads for customer connection.

**Tank to foundation clearance** - 2-inch bolt-thru risers allow visual inspection under tank including rodent barrier.

**Spill containment box for fuel fill** - 5 gallon capacity with integral drain (to tank). Lockable lid.

**Overfill prevention valve** - Shuts off fuel flow during filling at approximately 95% full\*. Includes fill down tube, as needed, to terminate within 6" of the bottom of the fuel tank. Uses a 2 inch type "F" cam lock adapter for filling.

**High fuel switch** - Activates at 90% of full fuel level. Flying leads for customer connection.

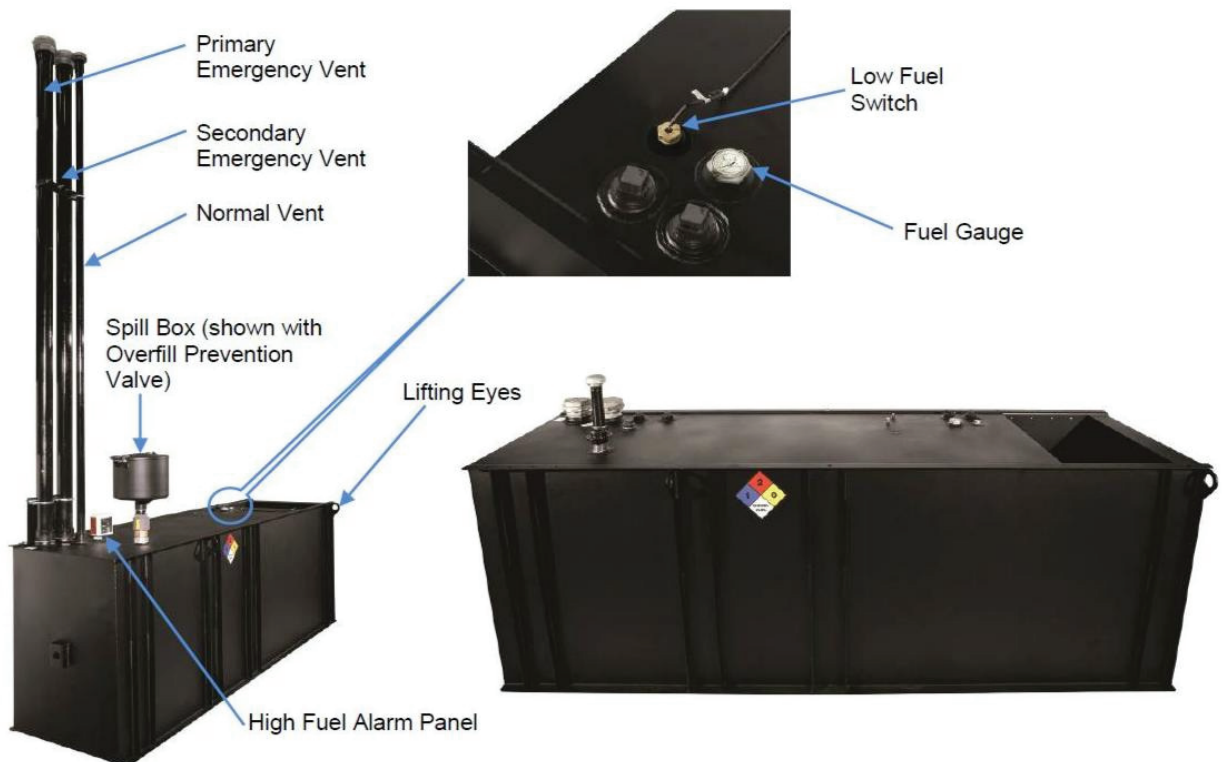
**High fuel alarm panel** - Provides audible & visual alarm when fuel level reaches 90% of full fuel level.

**Fill drop tube** - Terminates fuel fill location within 6" of the bottom of the fuel tank.

**Vent extensions** - Terminate normal and emergency vents (both primary and secondary) a minimum of 12 ft above the bottom of tank.

**Seismic vent extensions** - 2 ft normal and emergency (both primary & secondary) extensions to meet IBC/OSHPD seismic requirements.

\* The OFPV inherently shuts off fuel at approximately 2" below the top of the fuel tank. Some tanks will shut off below this 95% fill level.



\*Picture is for reference only. See outline drawing for tank specific information by model.

## Regional tanks

Generator set Standby power output	Generator set model	Engine model	Fuel consumption (100% load, Standby)	Tank feature code	Minimum run time feature	Tank dimensions (L x W x H)	Nominal dry weight*	Tank usable volume	Actual run time w/o OFPV	Actual run time w/OFPV
kW			gal/hr		hr	inch	lbs	gal	hr	hr
125	C125D6D	QSB7-G5	10.1	C301-2	24	180x40x21	1477	351	34	30
				C303-2	48	180x40x42	2302	737	72	69
				C305-2	72	180x40x42	2302	737	72	69
				C307-2	96	180x65.5x35.3	3552	1055	104	98
150	C150D6D		11.7	C301-2	24	180x40x21	1477	351	30	26
				C303-2	48	180x40x42	2302	737	63	59
				C305-2	72	180x65.5x35.3	3552	1055	90	84
175	C175D6D		13.3	C301-2	24	180x40x21	1477	351	26	23
				C303-2	48	180x40x42	2302	737	55	52
				C305-2	72	180x65.5x35.3	3552	1055	79	74
200	C200D6D		14.9	C301-2	24	180x40x21	1477	351	24	21
					C303-2	48	180x40x42	2302	737	49
				C305-2	72	180x65.5x35.3	3552	1055	72	66

### Certifications/standards/codes



**UL 142 Listed** - Cummins tanks are UL 142 Listed and constructed in accordance with Underwriters Laboratories 142 "steel aboveground tanks for flammable and combustible liquids," as a "secondary containment generator base tank"

see below drawings for overall shipping weight and dimensions



**NFPA** - Cummins tanks are built in accordance with all applicable NFPA codes:

- NFPA 30 - Flammable and Combustible Liquids code
- NFPA 37 - Standard for Installation and use of Stationary Combustible Engine and Gas Turbines
- NFPA 110 - Standard for Emergency and Standby Power Systems



**ISO9001** - This product was designed and manufactured in facilities certified to ISO9001.



**ULC** - Cummins tanks are built in accordance with all applicable ULC codes

For more information contact your local Cummins distributor or visit [power.cummins.com](http://power.cummins.com)

Our energy working for you.™

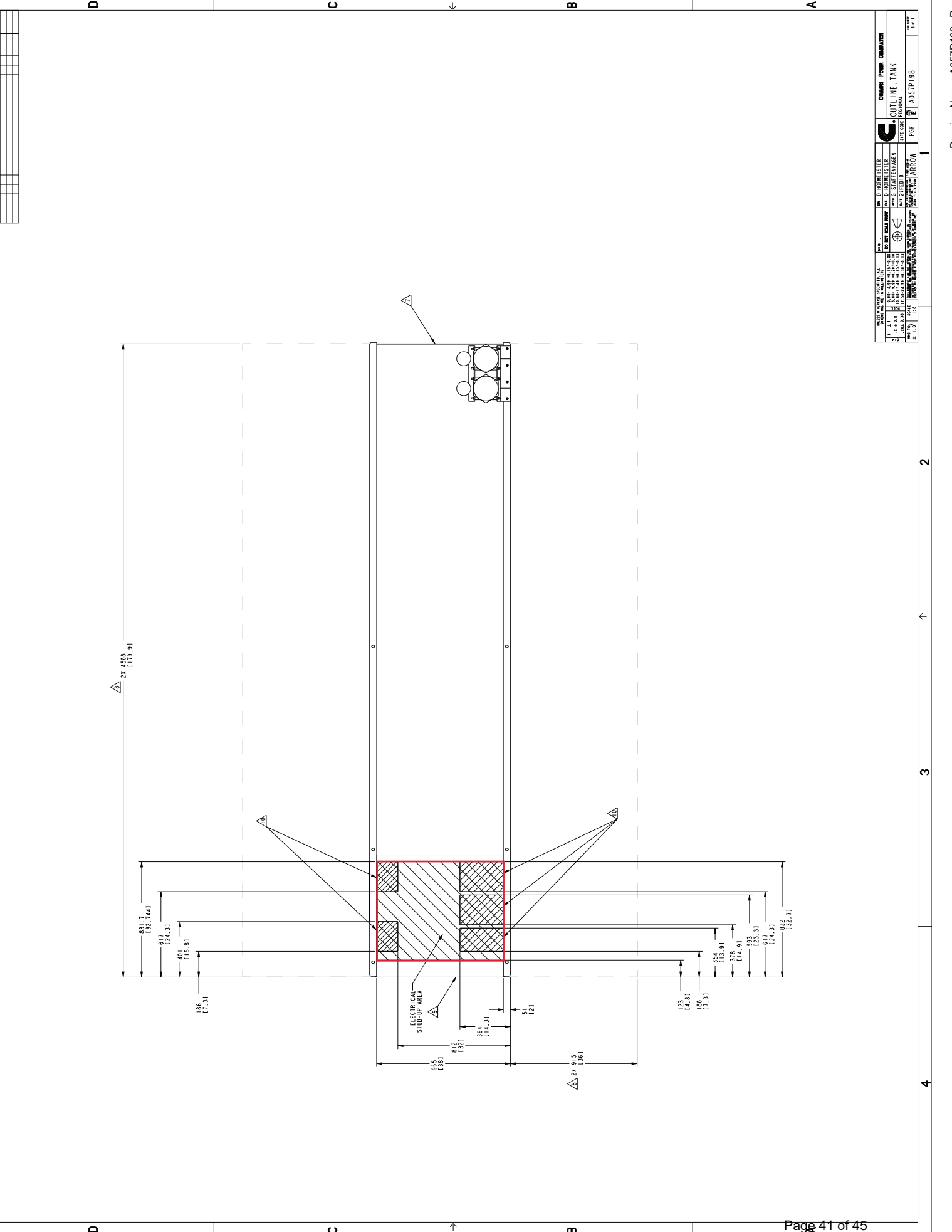




NO.	REV.	BY	DATE	DESCRIPTION
ECO-170441	A			PRODUCTION RELEASE

NO.	REV.	BY	DATE	DESCRIPTION
ECO-170441	A			PRODUCTION RELEASE

ECO-170441



NO.	REV.	BY	DATE	DESCRIPTION
ECO-170441	A			PRODUCTION RELEASE

NO.	REV.	BY	DATE	DESCRIPTION
ECO-170441	A			PRODUCTION RELEASE

ECO-170441



# Battery charger-6 amp

## A045D925 60Hz/50Hz



### Description

Cummins Power Generation fully automatic battery chargers are designed to both recharge your batteries, and extend your battery's life in applications where it is stored for long periods of time. This charger can handle poor power quality, exposure to extreme weather and rough handling.

To maximize battery life, a 3-stage charging cycle is implemented. The three charging stages are bulk stage, absorption stage and maintenance stage. During the bulk stage, the charger uses its full amp output to do the heaviest charging, quickly bringing your battery to about 75% of capacity. In the absorption stage, the current slows, adjusting for maximum charging efficiency while it gently tops off the battery to about 98% of capacity.

During the maintenance stage, a lower, closely-regulated, constant voltage is applied to maintain full charge and prevent discharge.

Unlike some "trickle chargers," the float charger won't apply more current than necessary to maintain full charge. Batteries can be connected indefinitely, without harm; in fact, the float charge extends battery life.

### Features

**Protection** – Surge protected to IEEE and EN standards. All models include single pole cartridge type fuses mounted on the printed circuit board to protect against input or output overcurrent.

**Lightweight and silent** – Lighter than transformer types, completely silent but still provides full output when overloaded outlets drop AC voltage below the normal 115V.

**Monitoring** – Status LED indicators are provided to show the condition or charging status of the battery. When the red LED is on, it indicates that the battery is discharged and is recharging at the 'BULK' rate. When both the red and green LEDs are on, the battery is charging at the 'midrange' rate. When the green LED is on, the battery is 90% charged and ready for use.

**Construction** – Made using epoxy-potted cases making it the ultimate in durability, completely waterproof and able to withstand numerous caustic chemicals and gases, as well as being shockproof.

**Fault Indication** – The charger senses and indicates the following fault conditions: Defective or damaged cells, under-voltage at the battery, battery drawing more current than charger can replace, loss of power or extremely low AC voltage at the charger, other battery fault conditions and charger failure.

**Compatibility** – Works with Sealed Lead Acid (SLA), Absorbed Glass Mat (AGM) and Gel type batteries.

**Low Electromagnetic and Radio**

**Frequency Interference** – This product meets FCC class B for conducted and radiated emissions.

**Listed** – This product is UL listed according to the UL 1236 Standard.

**Warranty** – This product has a two year warranty

## Specifications

### Performance and physical characteristics

<b>Output:</b>	Nominal voltage	12 VDC
	Float voltage – 12 V batteries	13.0-13.6 VDC at 0-2 amps
	Maximum output current	6 A @ 12 VDC nom
<b>Input:</b>	Voltage AC	115, 208, 240 ±10%, 90-135
	Frequency	60 Hz ±5%
<b>Battery:</b>	Maximum battery size	150 Amp Hours
	Maximum recharge time	20 hours
<b>Approximate net weight:</b>		4 lbs. (1.81 Kg)
<b>Approximate dimensions: height x width x depth-in(mm)</b>		2.25 x 6.4 x 3.5 (57 x 162 x 89)
<b>Ambient temperature operation: At full rated output</b>		- 40°F to 158 °F (-40 °C to 70 °C)



#### Americas

1400 73rd Avenue N.E.  
Minneapolis, MN 55432 USA  
Phone: 763 574 5000  
Fax: 763 574 5298

#### Europe, CIS, Middle East and Africa

Manston Park Columbus Ave.  
Manston Ramsgate  
Kent CT 12 5BF United Kingdom  
Phone 44 1843 255000  
Fax 44 1843 255902

#### Asia Pacific

10 Toh Guan Road #07-01  
TT International Tradepark  
Singapore 608838  
Phone 65 6417 2388  
Fax 65 6417 2399

**Warning:** Back feed to a utility system can cause electrocution and/or property damage. Do not connect generator sets to any building electrical system except through an approved device or after building main switch is open.

**Warning:** For professional use only. Must be installed by a qualified service technician. Improper installation presents hazards of electrical shock and improper operation, resulting in severe personal injury and/or property damage.



**Limited Warranty**

**Commercial Generating Set**

This limited warranty applies to all Cummins Power Generation® branded commercial generating sets and associated accessories (hereinafter referred to as "Product").

This warranty covers any failures of the Product, under normal use and service, which result from a defect in material or factory workmanship.

**Warranty Period:**

The warranty start date† is the date of initial start up, first rental, demonstration or 18 months after factory ship date, whichever is sooner. See table for details.

**Continuous Power (COP)** is defined as being the maximum power which the generating set is capable of delivering continuously whilst supplying a constant electrical load when operated for an unlimited number of hours per year. No overload capability is available for this rating.

**Prime Power (PRP)** is defined as being the maximum power which a generating set is capable of delivering continuously whilst supplying a variable electrical load when operated for an unlimited number of hours per year. The permissible average power output over 24 hours of operation shall not exceed 70% of the PRP. For applications requiring permissible average output higher than stated, a COP rating should be used.

**Limited-Time Running Power (LTP)** is defined as the maximum power available, under the agreed operating conditions, for which the generating set is capable of delivering for up to 500 hours of operation per year.

**Emergency Standby Power (ESP)** is defined as the maximum power available during a variable electrical power sequence, under the stated operating conditions, for which a generating set is capable of delivering in the event of a utility power outage or under test conditions for up to 500 hours of operation per year. The permissible average power output over 24 hours of operation shall not exceed 70% of the ESP.

**Environmental Protection Agency – Stationary Emergency (EPA-SE)** is defined as being the maximum power available during a variable electrical power sequence, under the stated operating conditions, for which a generator set is capable of delivering in the event of a utility power outage or under test conditions and used in strict accordance with the EPA NSPS for stationary engines, 40 CFR part 60, subparts IIII and JJJJ, where a reliable utility must be present. The permissible average power output over 24 hours of operation shall not exceed 70% of the EPA-SE.

**Data Center Continuous (DCC)** is defined as the maximum power which the generator is capable of delivering continuously to a constant or varying electrical load for unlimited hours in a data center application.

**Base Warranty Coverage Duration (Whichever occurs first)**

Rating	Months	Max. Hours
COP	12	Unlimited
PRP	12	Unlimited
LTP	12	500 hrs
ESP	24	1000 hrs
EPA-SE	24	Unlimited
DCC	24	Unlimited

† Warranty start date for designated rental and oil and gas model Products is determined to be date of receipt of Product by the end customer.

**Cummins Power Generation® Responsibilities:**

In the event of a failure of the Product during the warranty period due to defects in material or workmanship, Cummins Power Generation® will only be responsible for the following costs:

- All parts and labor required to repair the Product.
- Reasonable travel expenses to and from the Product site location.
- Maintenance items that are contaminated or damaged by a warrantable failure.

**Owner Responsibilities:**

The owner will be responsible for the following:



- Notifying Cummins Power Generation® distributor or dealer within 30 days of the discovery of failure.
- Installing, operating, commissioning and maintaining the Product in accordance with Cummins Power Generation®'s published policies and guidelines.
- Providing evidence for date of commissioning.
- Providing sufficient access to and reasonable ability to remove the Product from the installation in the event of a warrantable failure.
- Incremental costs and expenses associated with Product removal and reinstallation resulting from non-standard installations.
- Costs associated with rental of generating sets used to replace the Product being repaired.
- Costs associated with labor overtime and premium shipping requested by the owner.
- All downtime expenses, fines, all applicable taxes, and other losses resulting from a warrantable failure.

**Limitations:**

This limited warranty does not cover Product failures resulting from:

- Inappropriate use relative to designated power rating.
- Inappropriate use relative to application guidelines.
- Inappropriate use of an EPA-SE application generator set relative to EPA's standards.
- Normal wear and tear.
- Improper and/or unauthorized installation.
- Negligence, accidents or misuse.
- Lack of maintenance or unauthorized repair.
- Noncompliance with any Cummins Power Generation® published guideline or policy.
- Use of improper or contaminated fuels, coolants or lubricants.
- Improper storage before and after commissioning.
- Owner's delay in making Product available after notification of potential Product problem.
- Replacement parts and accessories not authorized by Cummins Power Generation®.
- Use of Battle Short Mode.
- Owner or operator abuse or neglect such as: operation without adequate coolant or lubricants; overfueling; overspeeding; lack of maintenance to lubricating, cooling or air intake systems; late servicing and maintenance; improper storage, starting, warm-up, run-in or shutdown practices, or for progressive damage resulting from a defective shutdown or warning device.

- Damage to parts, fixtures, housings, attachments and accessory items that are not part of the generating set.

This limited warranty does not cover costs resulting from:

- Difficulty in gaining access to the Product.
- Damage to customer property.

A "Data center" is defined as a dedicated facility that house computers and associated equipment for data storage and data handling.

Reliable utility is defined as utility power without routine or regularly scheduled black-outs.

Please contact your local Cummins Power Generation® Distributor for clarification concerning these limitations.

**CUMMINS POWER GENERATION® RIGHT TO FAILED COMPONENTS:**

Failed components claimed under warranty remain the property of Cummins Power Generation®. Cummins Power Generation® has the right to reclaim any failed component that has been replaced under warranty.

**Extended Warranty:**

Cummins Power Generation® offers several levels of Extended Warranty Coverage. Please contact your local Cummins Power Generation® Distributor for details.

[www.power.cummins.com](http://www.power.cummins.com)

**THE WARRANTIES SET FORTH HEREIN ARE THE SOLE WARRANTIES MADE BY CUMMINS POWER GENERATION® IN REGARD TO THE PRODUCT. CUMMINS POWER GENERATION® MAKES NO OTHER WARRANTIES, EXPRESS OR IMPLIED, OR OF MERCHANTABILITY OR FITNESS FOR A PARTICULAR PURPOSE.**

**IN NO EVENT IS CUMMINS POWER GENERATION® LIABLE FOR INCIDENTAL OR CONSEQUENTIAL DAMAGES.**

This limited warranty shall be enforced to the maximum extent permitted by applicable law. This limited warranty gives the owner specific rights that may vary from state to state or from jurisdiction to jurisdiction.

Product Model Number: \_\_\_\_\_  
 Product Serial Number: \_\_\_\_\_  
 Date in Service: \_\_\_\_\_