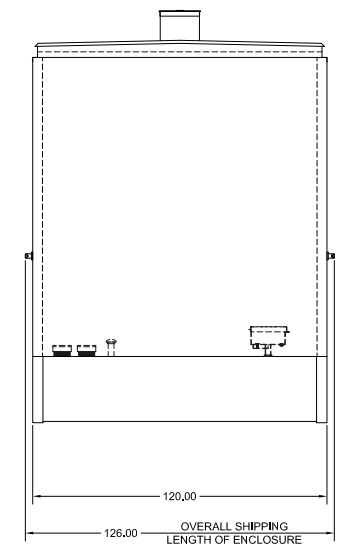
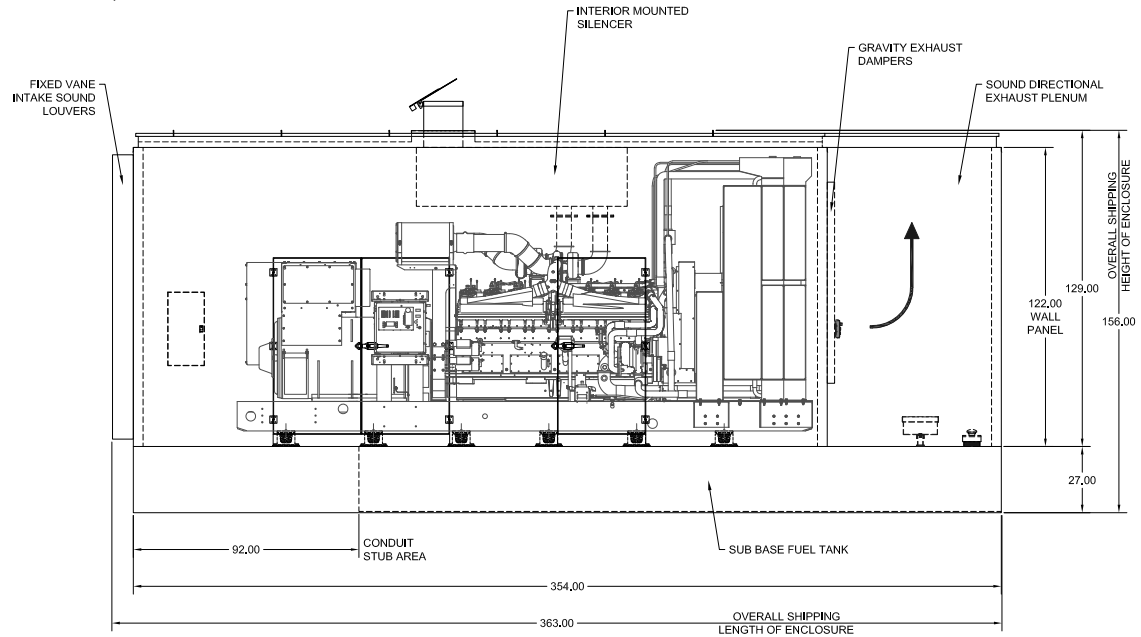
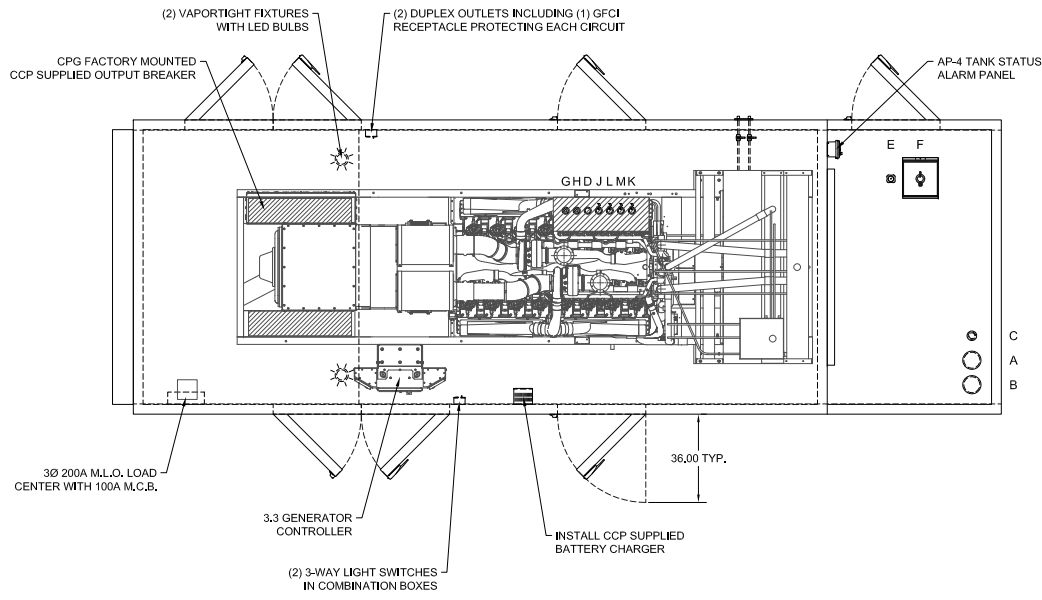


GENERATOR DATA:
 MODEL: 1500 DOGAB
 DIMS INCHES: 234.5L X 78.7W X 111.8T
 WET WEIGHT Lbs: 29,262
 FUEL CONSUMPTION
 GPH @ 100% LOAD: 109.4
 COMBUSTION AND
 COOLING CFM: 65.045
 GEN DRAWING: A062-R947

GENERAL DESCRIPTION:
SUB BASE FUEL SUPPLY TANK
 UL 142 LISTED DOUBLE WALL
 NORMAL & EMERGENCY VENTS
 LOW LEVEL, HIGH LEVEL, CRITICAL HIGH LEVEL, & LEAK
 DETECTION FLOAT SWITCHES
 LOCKABLE FILL WITH 5 GALLON SPILL CONTAINER
 ROCHESTER 6540 FUEL LEVEL GAUGE
LEVEL 2 SOUND ATTENUATED ENCLOSURE
 14GA GALVANEAL CONSTRUCTION
 FIXED VANE INTAKE SOUND LOUVERS
 GRAVITY EXHAUST DAMPERS IN A SOUND DIRECTIONAL
 EXHAUST PLENUM
 ACCESS DOOR OPENINGS:
 72" X 36" TYP. SINGLE DOOR
 72" X 72" TYP. DOUBLE DOOR
ELECTRICAL PACKAGE
 3Ø 120/208 200A M.L.O. LOAD CENTER WITH 100A M.C.B.
 (2) GFCI DUPLEX OUTLETS INCLUDING (1) GFCI PER
 CIRCUIT, (2) INTERIOR LIGHTS, BATTERY CHARGER &
 BLOCK HEATER(S) WIRED IN STEEL EMT WITH
 COMPRESSION FITTINGS & LIQUIDTIGHT FLEXIBLE
 CONDUIT
 AP-4 TANK STATUS ALARM PANEL
ACCESSORIES
 INTERIOR MOUNTED SILENCER, FLEX CONNECTION,
 TAILPIPE WITH RAIN LID & RAIN CAP ASSEMBLY
 ** INTERIOR & EXTERIOR EQUIPMENT MOUNTING MAY VARY
 IN LOCATION DUE TO MANUFACTURING DESIGN REQUIREMENTS



PAINT COLORS:
 ENCLOSURE COLOR: CUMMINS GREEN
 FUEL TANK COLOR: BLACK

ESTIMATED WEIGHTS: (lbs)
 ENCLOSURE WEIGHT: 13,986
 TOTAL SHIPPING WEIGHT: 56,000
 TOTAL SYSTEM WET WEIGHT: 76,650

TANK DATA & NOTES:
 CAPACITY GALLONS: 2,800
 GALLONS PER IN OF DEPTH: 122.9
 RUN TIME @FULL LOAD Hrs: 24.5
 TANK WEIGHT DRY lbs: 12,000
 TANK WEIGHT WET lbs: 32,650
 CONDUIT STUB AREA: TYPE A (STRAIGHT)
 1. EMERGENCY VENT SIZING BASED ON UL142 TABLE 8.1
 2. PORTS PER UL 142 SECTION 10
 3. NORMAL VENTING PER UL 142 SECTION 8.11, TABLE 8.2
 4. WELDS & JOINTS PER UL SECTION 6 FIGURE 6.1, 6.2

TANK PORTS:**
 A = 6" EMERGENCY TANK VENT
 B = 6" EMERGENCY BASIN VENT
 C = 2" NORMAL TANK VENT
 D = 2" TANK SPARE PORT (FNPT)
 E = ROCHESTER 6540 FUEL LEVEL GAUGE
 F = LOCKABLE FILL WITH 5 GALLON SPILL CONTAINER
 G = ENGINE SUPPLY
 H = ENGINE RETURN
 J = LOW LEVEL FLOAT SWITCH
 K = LEAK FLOAT SWITCH
 L = HIGH LEVEL FLOAT SWITCH
 M = CRITICAL HIGH LEVEL FLOAT SWITCH
 ** TANK PORTS MAY VARY IN LOCATION DUE TO INNER CONSTRUCTION OF FUEL TANK & LOCATION(S) OF EQUIPMENT

UL SPEC	DESCRIPTION	CLASS	FILE #
UL 142	SECONDARY CONTAINMENT DOUBLE WALL TANK	EVFT	MH47836
N/A			
N/A			

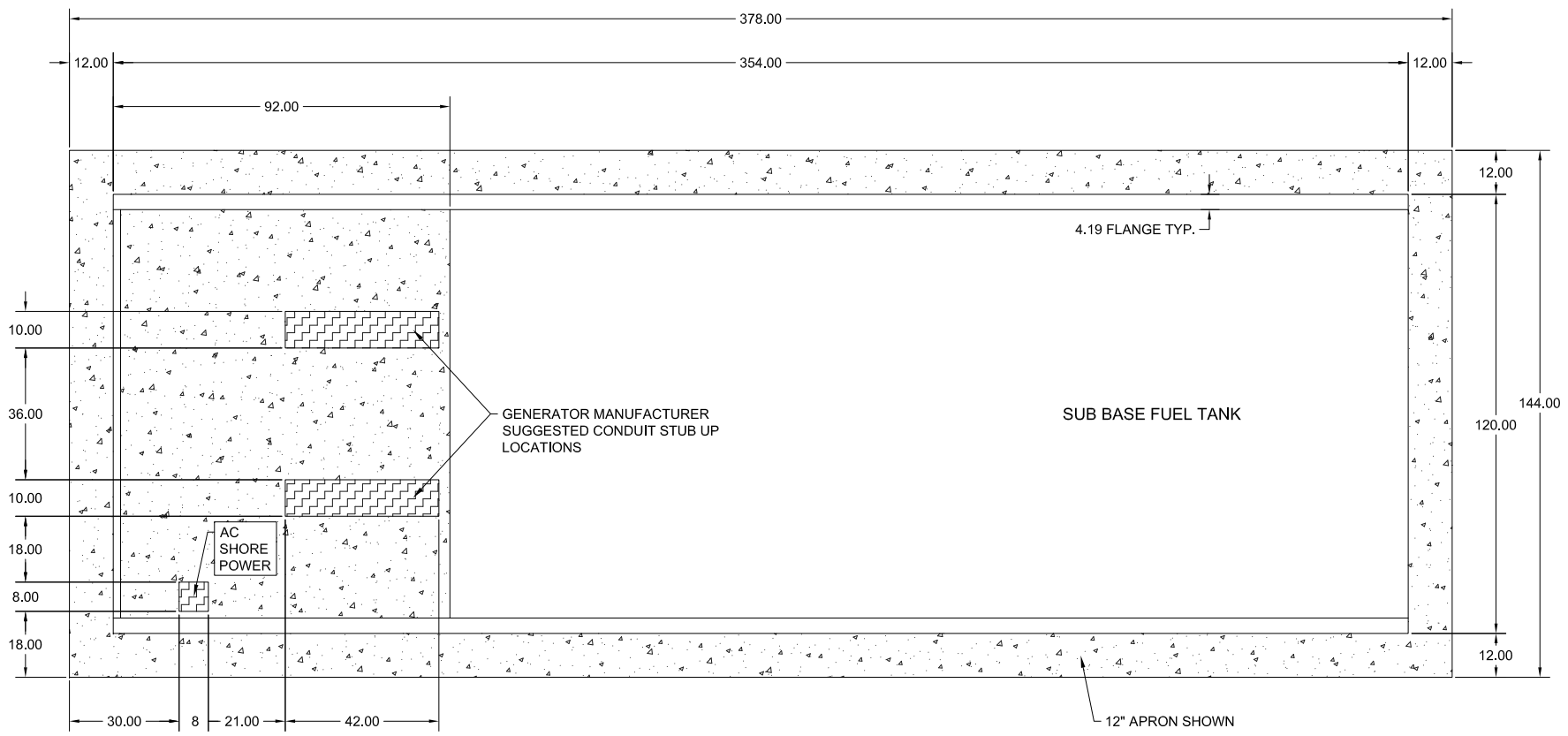


THIS DOCUMENT IS CREATED BY AND IS THE PROPERTY OF FREEMAN ENCLOSURE SYSTEMS, LLC. ITS USE IS AUTHORIZED ONLY FOR RESPONDING TO A REQUEST FOR QUOTATION OR FOR THE PERFORMANCE OF WORK FOR FREEMAN ENCLOSURE SYSTEMS, LLC. DISTRIBUTION IS STRICTLY PROHIBITED WITHOUT WRITTEN CONSENT FROM FREEMAN ENCLOSURE SYSTEMS, LLC. APPROVED AS-BUILT / ASSEMBLY DRAWINGS ARE AVAILABLE UPON REQUEST.
 ALL DIMENSIONS ARE IN INCHES UNLESS SPECIFIED.

CSDG		Quote Reference	Edition
S384969 GA		27409 R0	0
Drawing Number	S384969 GA		
Designed by	Salesperson	Date	Scale
AW	ST	04/20/21	N.T.S.
Sheet #	1/1		

REV	DESCRIPTION	BY	DATE
0	ORIGINAL SUBMISSION RELEASE	AW	04/20/21

04/20/21	AW	BY	DATE
0	REV	DESCRIPTION	



PAD LAYOUT

- GENERAL NOTES:**
1. A MINIMUM OF (4) 7/8" MOUNT HOLES WILL BE PROVIDED IN THE BOTTOM FLANGE FOR MOUNTING PURPOSES
 2. ANCHOR BOLTS ARE NOT PROVIDED BY TANK MANUFACTURER
 3. DRILL PAD FOR ANCHORS AFTER INSTALLATION OF TANK & ACCESSORIES
 4. POUR PAD FLAT & LEVEL

THIS DOCUMENT IS CREATED BY AND IS THE PROPERTY OF FREEMAN ENCLOSURE SYSTEMS, LLC. ITS USE IS AUTHORIZED ONLY FOR RESPONDING TO A REQUEST FOR QUOTATION OR FOR THE PERFORMANCE OF WORK FOR FREEMAN ENCLOSURE SYSTEMS, LLC. DISTRIBUTION IS STRICTLY PROHIBITED WITHOUT WRITTEN CONSENT FROM FREEMAN ENCLOSURE SYSTEMS, LLC. APPROVED AS-BUILT / ASSEMBLY DRAWINGS ARE AVAILABLE UPON REQUEST.
ALL DIMENSIONS ARE IN INCHES UNLESS SPECIFIED.

TOTAL SYSTEM WET WEIGHT: 76,650 (lbs)

Quote Reference: 27409 R0
Edition: 0

CSDG		Drawing Number		S384969 PL	
Designed by	Salesperson	Date	Scale	Sheet #	
AW	ST	04/20/21	N.T.S.	1/1	



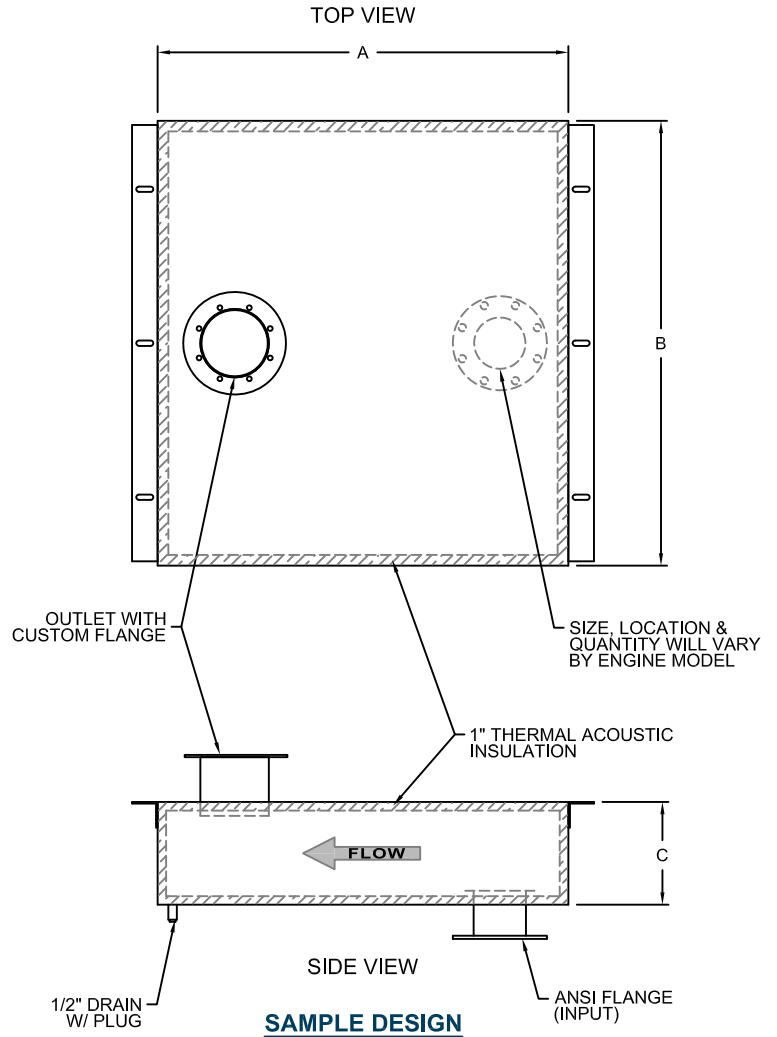
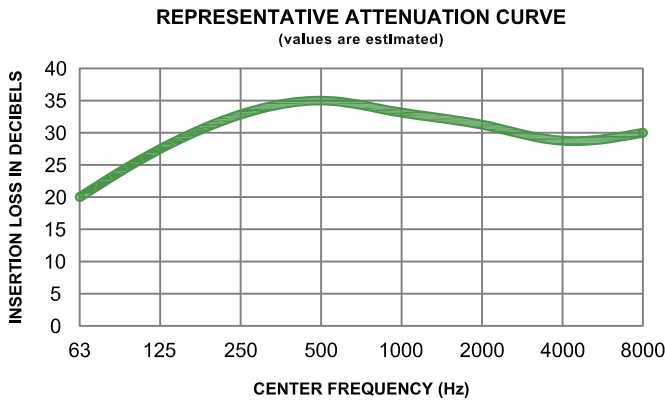
Freeman Enclosure Systems® and the Freeman Enclosure Systems logo are registered trademarks of Freeman Enclosure Systems

OVERVIEW

Freeman silencers are custom designed for each application and are optimized for use where ambient noise levels are relatively low and space is limited. Our features allow for excellent attenuation and surface temperature control while maintaining appropriate exhaust flow back pressure.

CONSTRUCTION

Unique internal baffle layout and perforated chimney. 1" thick E-glass insulation packed shell with high temperature interior liner. Heavy duty carbon steel outer shell, mounting brackets, piping and flanges with high temperature painted black finish.



OUTLET SIZE	DIM "A"	DIM "B"	DIM "C"
4"	26.0	26.0	9.0
6"	36.0	31.0	11.0
8"	45.0	52.0	12.0
10"	54.0	54.0	14.0
12"	60.0	60.0	19.0
14"	68.0	60.0	21.0
16"	86.0	84.0	24.0
18"	88.0	88.0	28.0
20"	96.0	92.0	32.0

THIS CHART IS FOR REFERENCE ONLY - ACTUAL SIZING & DESIGN MAY VARY



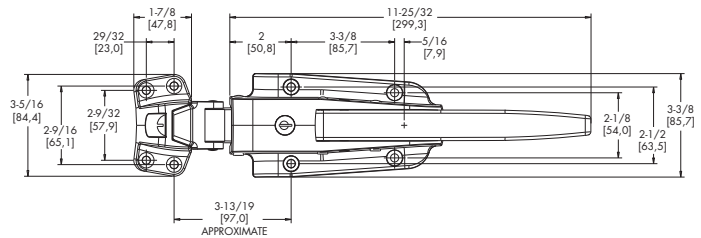
ITEM # 778



778 STAINLESS STEEL SAFEGUARD® LATCH

CORROSION RESISTANT SAFETY LATCH

- New radial tongue makes for effortless door closure when combined with Kason door closers.
- The walk-in latch unsurpassed for reliability, is now available for the most challenging applications.
- No. 778 features unequalled strength and corrosion-resistance.
- Tamper-resistant locking mechanism and mounting are built in.
- Patented, adjustable roller strike assures precise adjustment.
- Padlocking provision standard on all models.
- Accepts Kason inside release lever to prevent accidental entrapment in locked walk-ins. Inside lever releases cylinder locked or padlocked door.



SPECIFICATIONS

MATERIAL:
Satin Finish, #316 stainless steel body and strike housing with #304 stainless steel roller.

MOUNTING:
Holes drilled and countersunk for 1/4" (6mm) screws.

INSIDE RELEASE:
Accepts No. 481SC, shown below. Order separately.

Model No.	Description
0778CL6020	Cylinder Latch Body, Light Spring
0778L06020	Padlocking Latch Body, Light Spring
0778006002	Strike, -1/8" to 3/4" (-3 - 19mm)
0778006003	Strike, 3/4" to 1-5/8" (19 - 41mm)
PACKAGING	6 per Carton

481SC STAINLESS STEEL INSIDE RELEASE

Opens padlocked or cylinder locked No. 778 latch from inside of walk-in. Clearly visible Safety-Glow™ knob for added safety.

SPECIFICATIONS

MATERIAL:
Stainless steel rod and flange, glow-in-the-dark plastic knob.

MOUNTING:
Holes drilled for No. 10 (5mm) screws.



ITEM # 481SC



Model No.	Description
0481SC0400	Inside Release for 4" (102mm) Thick Door
0481SC0600	Inside Release for 6" (152mm) Thick Door*
PACKAGING	24 per Carton

*Available special order.



Application and Design

The EM-30 series is a vertical mounted backdraft damper that is designed to allow horizontal airflow and prevent reverse airflow. The damper is opened by air pressure differential and closed by gravity.

Ratings (See page 2 for specific limitations)

Pressure: Up to 10.0 in. wg (2.5 kPa) differential pressure. For pressures over 10 in. wg, (2.5 kPa), consult factory

Velocity: 2,500 to 3,500 fpm (13 m/s - 18 m/s)

Temperature: 180°F (82°C)



*W & H dimensions furnished approximately 1/4 in. (6mm) under size.

	Standard
Frame Material	6063T5 Extruded Aluminum
Frame Thickness	.125 in. (3.2mm)
Blade Material	6063T5 Extruded Aluminum
Blade Thickness	.070 in. (1.8mm)
Axle Linkage	1/8 in. (3mm) plated steel
Bearings	Synthetic (acetal) sleeve type
Blade Seals	Vinyl

W x H	Minimum Size		Maximum Single Section Size	Maximum Multi Section Size
	With Weights	Without Weights		
Inches	8 x 11	8 x 8	48 x 74	144 x 148
mm	203 x 279	203 x 203	1219 x 1880	3657 x 3759

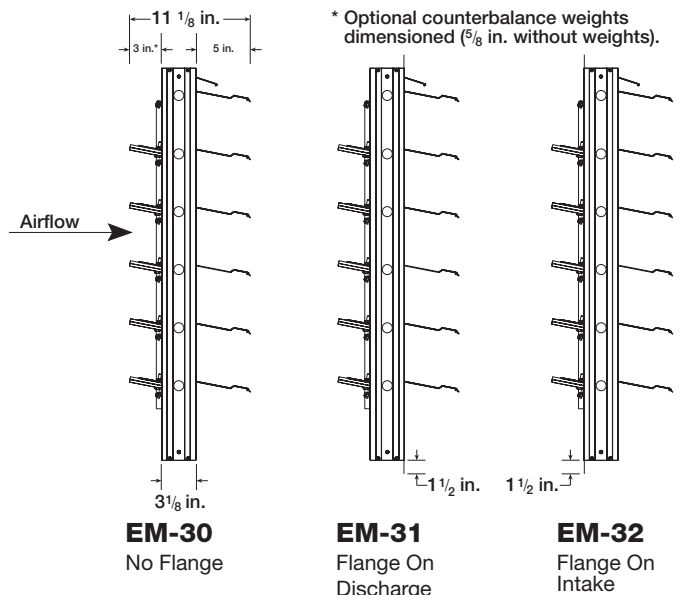
Sizes larger than maximum shown will be supplied as two or more equal size smaller dampers required to make up the size specified. These larger multiple damper assemblies require field assembly and may require additional reinforcement (not supplied by factory) to support the assembly.

- Counterbalance Weights
- 1 1/2 in. (38mm) flange on discharge: EM-31
- 1 1/2 in. (38mm) flange on intake: EM-32
- Sleeves

APC (Adjustable Pressure Controller)

Allows field setting of relief pressure on all EM dampers. Use one per panel. Maximum recommended pressure set limitations are as follows:

Area ft ² (m ²)	Maximum Set Pressure in. wg (Pa)
4 (.37)	.75 (187)
6 (.56)	.50 (125)
8 (100)	.40 (100)
10 (.93)	.30 (75)
15 (1.39)	.20 (50)
20 (1.86)	.15 (37)
24 (2.23)	.125 (31)





Greenheck Fan Corporation certifies that the models EM-30, EM-31 and EM-32 shown herein is licensed to bear the AMCA Seal. The ratings shown are based on tests and procedures performed in accordance with AMCA Publication 511 and comply with the requirements of the AMCA Certified Ratings Program. The AMCA Certified Ratings Seal applies to Air Leakage and Air Performance Ratings.

Test Information

- Air leakage is based on operation between 32°F and 120°F (0°C and 48°C)
- Tests for air leakage were conducted in accordance with ANSI/AMCA Standard 500-D Figure 5.5, in the intake direction
- Air performance testing conducted in accordance with ANSI/AMCA Standard 500-D, Figure 5.5

Air Leakage

Model EM-30 series dampers with a width and height 24 in. (610mm) or greater leak a maximum of:

- 8.9 cfm/ft² or less at 1.0 inches w.g.

Model EM-30 series dampers with a width or height less than 24 in. (610mm) leak a maximum of:

- 35 cfm/ft² or less at 1.0 inches w.g.

*Note: This model complies with the International Energy Conservation Code (IECC) and ASHRAE 90.1 leakage requirements for non-motorized dampers.

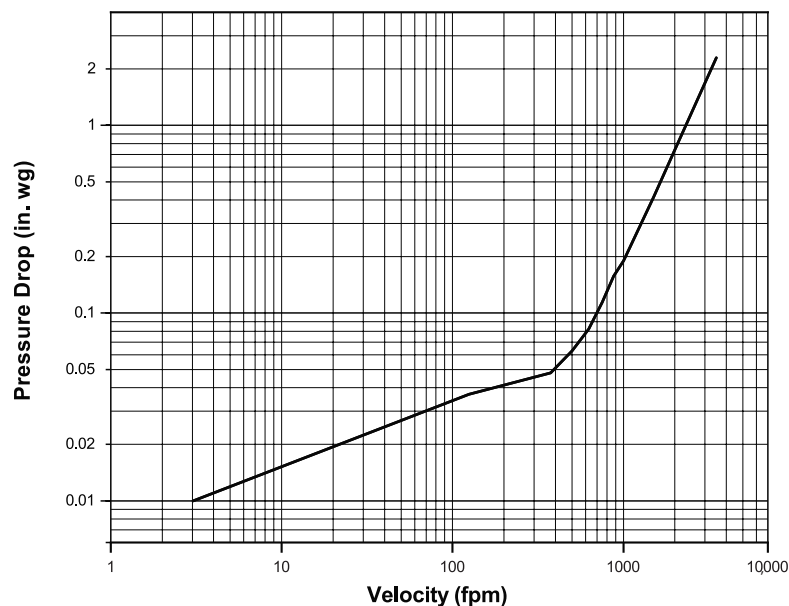
Air Performance

Performance data results from testing a 24 in. x 24 in. damper in accordance with AMCA Standard 500-D using Figure 5.5. All data has been corrected to represent standard air at 0.075 lb/ft³ (1.201 kg/m³).

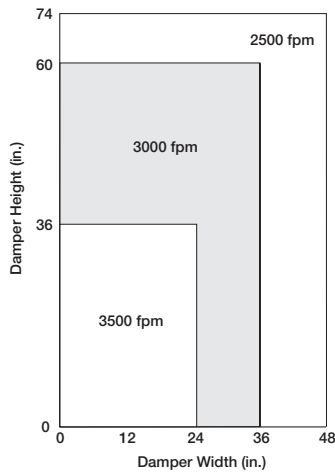
Pressure Drop

24 in. x 24 in. Damper
(610mm x 610mm)

VELOCITY VS. PRESSURE DROP



Velocity Limitations



Operational Data (AMCA Figure 5.3)	ΔP in. wg (Pa)	
	Without Weights	With Weights
Blades Start to Open	0.03 (7.5)	0.01 (2.5)
Blades Fully Open	0.25 (62)	0.055 (13.7)

Operational Data (AMCA Figure 5.5)	ΔP in. wg (Pa)	
	Without Weights	With Weights
Blades Start to Open	0.025 (6.2)	0.01 (3)
Blades Fully Open	0.32 (8)	0.08 (20)

Specifications

Backdraft dampers meeting the following specifications shall be furnished and installed where shown on plans and/or as described in schedules.

Dampers shall consist of: heavy gauge 6063T5 extruded aluminum channel frame (0.125 in. [3.2mm] thick) with 3 1/8 in. (79mm) depth; blades from 0.070 in. (1.8mm) 6063T5 extruded aluminum; synthetic acetal axle bearings; damper shall be equipped with extruded vinyl blade seals; and internal 1/8 in. (3mm) plated steel

blade-to-blade linkage. Damper manufacturer's printed application and performance data including pressure, velocity and temperature limitations shall be submitted for approval showing damper suitable for pressures to 10 in. wg (2.5 kPa), velocities to 3500 fpm (18 m/s) and temperatures to 180°F (82°C). Testing and ratings to be in accordance with AMCA Standard 500-D.

Basis of design is model EM-30.



PANEL SCHEDULE CSDG - #27409 R0

200 AMP, 120/208 VOLT, THREE PHASE, FOUR WIRE, M.L.D., 10000 AMPS MINIMUM A.I.C. BRACING, SURFACE MOUNTED, TYPE NEMA 3R ENCLOSURE

##	BKR.	WIRE AND CONDUIT					LOAD DESCRIPTION	NEUT.	LINE A	LINE B	LINE C	LOAD DESCRIPTION	WIRE AND CONDUIT					BKR.	##	
		COND.	NEUTRAL	GND	C.	KEYS							KEYS	C.	GND	NEUTRAL	COND.			
1							0	0												
3	100/3					CTAL		2413				BLOCK HEATER	CTAL	1/2	#10	---	#10	30/2		2
5							0		2413											4
7	20/1	#12	#12	#12	1/2	CTAL	720	720		2413		BLOCK HEATER	CTAL	1/2	#10	---	#10	30/2		6
9	15/1	#14	#14	#14	1/2	CTAL	72		72											8
11	15/1	#14	#14	#14	1/2	CTAL	800			800										10
13							0					SPACE								12
15							0	0				SPACE								14
17							0	0				SPACE								16
19							0	0				SPACE								18
21							0	0				SPACE								20
23							0	0				SPACE								22
25							0	0				SPACE								24
27							0	0				SPACE								26
29							0	0				SPACE								28
							0	0				SPACE								30
WIRE/CONDUIT KEY		WIRING TYPE	INSULATION	CONDUIT TYPE	TEMP RATING		5546	2485	3213			PEAK PHASE (C) UNBALANCED NEUTRAL LOAD AMPS =	6.7 AMPS							
1234		C-CU WIRE	T-THHN	A-EMT	L-78-86 Deg. F.							NON DIVERSIFIED LOAD AT 208 VOLT, THREE PHASE =	31.2 AMPS							
		TEMP RATING																		
		CONDUIT TYPE																		
		INSULATION																		
		WIRING TYPE																		
											PRINTED ON PANELS PROGRAM SERIAL NUMBER 2001.4083 REGISTERED TO - DALE FREEMAN									


PANEL CSDS - # DIVERSIFICATION CALCULATIONS	
RECEPTACLES (4) - 720 VA TOTAL	
FIRST 10 KVA AT 100% -	720
LIGHTING - 72 X 125% -	90
MISC NON-CONTINUOUS LOADS AT 100% -	10450
TOTAL DIVERSIFIED PANEL LOAD -	11260
LOAD AT 120/208V/3-PHASE/4-WIRE -	31.3A

04/2021	AW	BY	DATE
ORIGINAL SUBMISSION RELEASE	DESCRIPTION		
0	REV		

PANEL SCHEDULE

THIS DOCUMENT IS CREATED BY AND IS THE PROPERTY OF FREEMAN ENCLOSURE SYSTEMS, LLC. ITS USE IS AUTHORIZED ONLY FOR RESPONDING TO A REQUEST FOR QUOTATION OR FOR THE PERFORMANCE OF WORK FOR FREEMAN ENCLOSURE SYSTEMS, LLC. DISTRIBUTION IS STRICTLY PROHIBITED WITHOUT WRITTEN CONSENT FROM FREEMAN ENCLOSURE SYSTEMS, LLC. APPROVED AS-BUILT / ASSEMBLY DRAWINGS ARE AVAILABLE UPON REQUEST. ALL DIMENSIONS ARE IN INCHES UNLESS SPECIFIED.

CSDG		Quote Reference	27409 R0	Edition	0
Drawing Number	S384969 PS				
Designed by	Salesperson	Date	Scale	Sheet #	
AW	ST	04/20/21	N.T.S.	1/1	



Product availability : Stock - Normally stocked in distribution facility



Main

Product or component type	Load Center
Range of product	QO
Load center type	Main lugs
Line Rated Current	200 A
Number of spaces	30
Short-circuit current	65 kA
Number of circuits	30
Number of tandem circuit breakers	0
Phase	3 phases
System Voltage	208Y/120 V AC 240/120 V delta AC 240 V delta AC

Complementary

AWG gauge	AWG 6...300 kcmil (aluminium/copper)
NEMA degree of protection	NEMA 3R outdoor
Cover type	Surface cover
Electrical connection	Lugs
Device composition	Grounding bar included (not installed)
Electrical connection	Lugs
Wiring configuration	3-wire 4-wire
Material	Tin plated copper busbar
Enclosure material	Welded galvanized steel
Surface finish	Baked enamel grey
Box number	6R
Product certifications	UL listed
Height	29.84 in (758 mm)

Width	14.76 in (375 mm)
-------	-------------------

Ordering and shipping details

Category	00017 - QO 3PH LOAD CENTER,OUTDOOR
Discount Schedule	DE3
GTIN	00785901295525
Nbr. of units in pkg.	1
Package weight(Lbs)	32.5
Returnability	Y
Country of origin	US

Offer Sustainability

Sustainable offer status	Not Green Premium product
RoHS (date code: YYWW)	Compliant - since 1248 - Schneider Electric declaration of conformity Schneider Electric declaration of conformity
REACH	Reference not containing SVHC above the threshold Reference not containing SVHC above the threshold
Product end of life instructions	Need no specific recycling operations

Contractual warranty

Warranty period	18 months
-----------------	-----------

Product availability : Stock - Normally stocked in distribution facility



Main

Product or component type	Miniature circuit-breaker
Range of product	QO
Line Rated Current	100 A
System Voltage	240 V AC
Mounting mode	Plug-in
Poles description	3P
Circuit breaker type	Standard
Circuit breaker application	HACR rated
Electrical connection	Box lugs
Accessory / separate part type	None,

Complementary

Breaking capacity	10 kA at: 120/240 V AC
Number of spaces required	3
AWG gauge	AWG 4...AWG 2/0 (copper or aluminium)
Height	3.5 in
Depth	2.91 in
Width	2.25 in

Environment

Product certifications	CSA UL listed
Ambient air temperature for operation	104 °F (40 °C)

Ordering and shipping details

Category	00012 - QO 3 POLE CIRCUIT BREAKER
Discount Schedule	DE2A

GTIN	00785901004417
Nbr. of units in pkg.	1
Package weight(Lbs)	1.0700000000000001
Returnability	Y
Country of origin	MX

Offer Sustainability

Sustainable offer status	Green Premium product
RoHS (date code: YYWW)	Compliant - since 1323 - Schneider Electric declaration of conformity Schneider Electric declaration of conformity
REACH	Reference not containing SVHC above the threshold Reference not containing SVHC above the threshold
Product environmental profile	Available
Product end of life instructions	Need no specific recycling operations

Contractual warranty

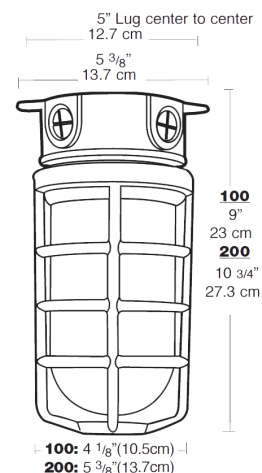
Warranty period	18 months
-----------------	-----------

VX100DG

Box mount, die cast aluminum with built-in junction box and sturdy mounting lugs. Medium base socket, 1/2" or 3/4" NPS hub size and a variety of globes. incandescent lamp A21 for 100 Series, PS25 for 200 Series. Lamp not supplied. CFL: 13 & 22 watt lamp supplied.

Color: Natural

Weight: 2.8 lbs



Lamp Info

Type: A19
Watts: 150W
Shape/Size: N/A
Base: N/A
ANSI: N/A
Hours: 0
Lamp Lumens: 0
Efficacy: N/A

Ballast Info

Type: 0
120V: N/A
208V: 0
240V: N/A
277V: N/A
Input Watts: 0W
Efficiency: N/A

Technical Specifications

UL Listing:

Suitable for wet locations. Suitable for use in dwellings. Suitable for use with 90°C supply wiring. Complies with UL Standard 1598. For non-hazardous locations where the lamp, socket and wiring require protection from rain, corrosive fumes, non-combustible dusts, moisture, non-explosive vapors and gases. For lamp base up installation only when outdoors.

Globes:

Supplied with clear thermal shock resistant soda lime glass unless otherwise stated. Colored and white glass globes available. Unbreakable Permaglobes available in clear and in color.

Die Cast Guard:

Supplied with one piece die cast guard with set screw

Maximum Watts:

150 watts

Colored Globe Maximum Watts:

100 watts

Patents:

RAB sensor and fixture designs are protected under U.S. and International Intellectual Property laws.

Country of Origin:

Designed by RAB in New Jersey and assembled in Taiwan

Trade Agreements Act Compliant:

This product is a product of Taiwan and a "designated country" end product that complies with the Trade Agreements Act.

GSA Schedule:

Suitable in accordance with FAR Subpart 25.4

RAB
LIGHTING

Tech Help Line: 888 RAB-1000

Email: sales@rabweb.com

On the web at: www.rabweb.com

Copyright ©2013 RAB Lighting, Inc. All Rights Reserved

Note: Specifications are subject to change without notice

Page 1 of 1



LED A-Lamps

OMNI-DIRECTIONAL • ALL-PURPOSE • 3-WAY

TCP's LED A-lamps provide the lighting you need at a cost you will love. Advanced factory techniques and rigorous testing ensure each lamp is perfect from day one. Install a LED A-lamp wherever you would a traditional lamp and see the improvement.



LIMITLESS OPTIONS FOR THE FOLLOWING APPLICATIONS

- General lighting
- Floor lamps
- Ceiling fixtures
- Table lamps
- Sconces

FEATURES

Up to 85% less energy than halogen alternatives

Long life

Very low heat generation

Excellent color consistency and CRI

UL approved for damp location

Durable plastic housing

ANSI construction compliant

BENEFITS

Instant energy savings

Minimizes replacement and maintenance costs

Perfect for sensitive display lighting such as art galleries

Enhances colors of focal point while maintaining uniformity throughout lighting installation from lamp to lamp

Can be used outdoors when protected from elements—withstands humidity indoors/outdoors

Lower the risk of injury and breakage

Fits all A-lamp installations

Dims to ≤ 10% of full light level when applicable


SPECIFICATIONS

Input Line Voltage 120 VAC
 Input Line Frequency 50/60HZ
 Lamp Life (Rated) 10,000, 15,000, 20,000 or 25,000 hour options
 Minimum Starting Temp -30°C
 Maximum Operating Temp 40°C
 CRI 80

Suitable for use in totally enclosed fixtures.
 (Vapor tight or jelly jar applications may reduce life)

*Based on 12 hours use per day

Do not use more than 2 bulbs in an enclosed fixture.
 If fixture is manufactured for incandescent bulbs, use no higher than the LED equivalent wattage, as shown on this spec sheet.



1 YEAR WARRANTY*
10,000 HOUR LAMPS

3 YEAR WARRANTY*
15,000 HOUR LAMPS

5 YEAR WARRANTY*
25,000 HOUR LAMPS

we know light.™





LED A-Lamps

OMNI-DIRECTIONAL • ALL-PURPOSE • 3-WAY

ITEM #	DESCRIPTION	ENERGY STAR	VOLTAGE	WATTS	INCANDESENT WATTS	LPW	LUMENS	CCT	HOURS	CRI	MOL (inches)	DIA (inches)	BASE	WARRANTY YEARS	CASE QUANTITY
--------	-------------	-------------	---------	-------	-------------------	-----	--------	-----	-------	-----	--------------	--------------	------	----------------	---------------

LED 75W Equivalent Options

13.5W A19 A-Lamp • Non-Dimmable • 15,000 Hour

L11A19N1527K	LED 13.5W A19 ND 2700K	★	120	13.5	75	81.5	1100	2700K	15,000	80	4.4	2.4	E26	3	12
L11A19N1530K	LED 13.5W A19 ND 3000K	★	120	13.5	75	81.5	1100	3000K	15,000	80	4.4	2.4	E26	3	12
L11A19N1541K	LED 13.5W A19 ND 4100K	★	120	13.5	75	81.5	1100	4100K	15,000	80	4.4	2.4	E26	3	12
L11A19N1550K	LED 13.5W A19 ND 5000K	★	120	13.5	75	81.5	1100	5000K	15,000	80	4.4	2.4	E26	3	12

13.5W A19 A-Lamp • Dimmable • 25,000 Hour

L11A19D2527K	LED 13.5W A19 DIM 2700K	★	120	13.5	75	81.5	1100	2700K	25,000	80	4.4	2.4	E26	5	12
L11A19D2530K	LED 13.5W A19 DIM 3000K	★	120	13.5	75	81.5	1100	3000K	25,000	80	4.4	2.4	E26	5	12
L11A19D2541K	LED 13.5W A19 DIM 4100K	★	120	13.5	75	81.5	1100	4100K	25,000	80	4.4	2.4	E26	5	12
L11A19D2550K	LED 13.5W A19 DIM 5000K	★	120	13.5	75	81.5	1100	5000K	25,000	80	4.4	2.4	E26	5	12

LED 100W Equivalent Options

14W A19 A-Lamp • Non-Dimmable • 10,000 Hour

L16A19N1027K4	LED 14W A19 ND 2700K 4PK		120	14	100	107.1	1500	2700K	10,000	80	4.7	2.6	E26	1	12
L16A19N1041K4	LED 14W A19 ND 4100K 4PK		120	14	100	107.1	1500	4100K	10,000	80	4.7	2.6	E26	1	12

15.5W A19 A-Lamp • Non-Dimmable • 15,000 Hour

L16A19N1527K	LED 15.5W A19 ND 2700K	★	120	15.5	100	103.2	1600	2700K	15,000	80	4.7	2.6	E26	3	12
L16A19N1530K	LED 15.5W A19 ND 3000K	★	120	15.5	100	103.2	1600	3000K	15,000	80	4.7	2.6	E26	3	12
L16A19N1541K	LED 15.5W A19 ND 4100K	★	120	15.5	100	103.2	1600	4100K	15,000	80	4.7	2.6	E26	3	12
L16A19N1550K	LED 15.5W A19 ND 5000K	★	120	15.5	100	103.2	1600	5000K	15,000	80	4.7	2.6	E26	3	12

15W A19 A-Lamp • Dimmable • 15,000 Hour

L15A21D1527K	LED 15W A19 DIM 2700K	★	120	15	100	106.7	1600	2700K	15,000	80	4.7	2.6	E26	3	12
L15A21D1530K	LED 15W A19 DIM 3000K	★	120	15	100	106.7	1600	3000K	15,000	80	4.7	2.6	E26	3	12
L15A21D1541K	LED 15W A19 DIM 4100K	★	120	15	100	106.7	1600	4100K	15,000	80	4.7	2.6	E26	3	12
L15A21D1550K	LED 15W A19 DIM 5000K	★	120	15	100	106.7	1600	5000K	15,000	80	4.7	2.6	E26	3	12

15W A19 A-Lamp • Dimmable • 25,000 Hour

L15A19D2527K	LED 15W A19 DIM 2700K	★	120	15	100	106.7	1600	2700K	25,000	80	4.7	2.6	E26	5	12
L15A19D2530K	LED 15W A19 DIM 3000K	★	120	15	100	106.7	1600	3000K	25,000	80	4.7	2.6	E26	5	12
L15A19D2541K	LED 15W A19 DIM 4100K	★	120	15	100	106.7	1600	4100K	25,000	80	4.7	2.6	E26	5	12
L15A19D2550K	LED 15W A19 DIM 5000K	★	120	15	100	106.7	1600	5000K	25,000	80	4.7	2.6	E26	5	12

LED 40/60/100 3-Way Equivalent Options

4/8/16W A21 3-Way A-Lamp • Dimmable • 25,000 Hour

LED16A21D3WAY27K	LED 16W A21 DIM 2700K 3WAY	★	120	4/8/16	40/60/100	120/100/100	480/800/1600	2700K	25,000	80	4.9	2.6	E26	5	12
LED16A21D3WAY30K	LED 16W A21 DIM 3000K 3WAY	★	120	4/8/16	40/60/100	120/100/100	480/800/1600	3000K	25,000	80	4.9	2.6	E26	5	12
LED16A21D3WAY41K	LED 16W A21 DIM 4100K 3WAY	★	120	4/8/16	40/60/100	120/100/100	480/800/1600	4100K	25,000	80	4.9	2.6	E26	5	12
LED16A21D3WAY50K	LED 16W A21 DIM 5000K 3WAY	★	120	4/8/16	40/60/100	120/100/100	480/800/1600	5000K	25,000	80	4.9	2.6	E26	5	12

LED 60W Wet Location Equivalent Options

9.5W A19 Omni-Directional Wet Location A-Lamp • Dimmable • 25,000 Hour

LED10A19D0D27KW	LED 9.5W A19 DIM OMNI 27K WET	★	120	9.5	60	84.2	800	2700K	25,000	80	4.6	2.5	E26	5	12
LED10A19D0D30KW	LED 9.5W A19 DIM OMNI 30K WET	★	120	9.5	60	86.8	825	3000K	25,000	80	4.6	2.5	E26	5	12
LED10A19D0D41KW	LED 9.5W A19 DIM OMNI 41K WET	★	120	9.5	60	89.5	850	4100K	25,000	80	4.6	2.5	E26	5	12
LED10A19D0D50KW	LED 9.5W A19 DIM OMNI 50K WET	★	120	9.5	60	89.5	850	5000K	25,000	80	4.6	2.5	E26	5	12

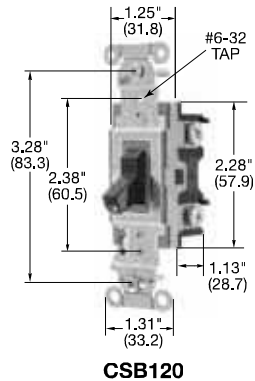
Switches

15 and 20 Ampere, 120-277 Volts AC

Specification Grade Commercial Series

**Specification Grade Commercial Series,
15A, 120-277V AC**

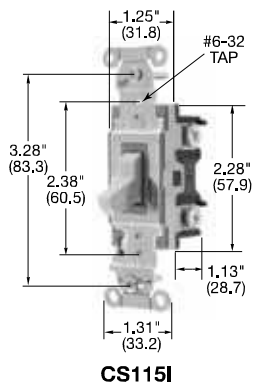
Description	Toggle Color	Single Pole	Double Pole	Three Way	Four Way
Toggle, back and side wired.	Almond	CSB115AL	CSB215AL	CSB315AL	CSB415AL
	Black	CSB115BK	CSB215BK	CSB315BK	CSB415BK
	Brown	CSB115	CSB215	CSB315	CSB415
	Gray	CSB115GY	CSB215GY	CSB315GY	CSB415GY
	Ivory	CSB115I	CSB215I	CSB315I	CSB415I
	Light Almond	CSB115LA	CSB215LA	CSB315LA	CSB415LA
	White	CSB115W	CSB215W	CSB315W	CSB415W



CSB120

**Specification Grade Commercial Series,
20A, 120-277V AC**

Description	Toggle Color	Single Pole	Double Pole	Three Way	Four Way
Toggle, back and side wired.	Almond	CSB120AL	CSB220AL	CSB320AL	CSB420AL
	Black	CSB120BK	CSB220BK	CSB320BK	CSB420BK
	Brown	CSB120	CSB220	CSB320	CSB420
	Gray	CSB120GY	CSB220GY	CSB320GY	CSB420GY
	Ivory	CSB120I	CSB220I	CSB320I	CSB420I
	Light Almond	CSB120LA	CSB220LA	CSB320LA	CSB420LA
	Red	CSB120R	CSB220R	CSB320R	CSB420R
	White	CSB120W	CSB220W	CSB320W	CSB420W



CS115I

**Specification Grade Commercial Series,
15A, 120-277V AC**

Description	Toggle Color	Single Pole	Double Pole	Three Way	Four Way
Toggle, side wired only.	Almond	CS115AL	—	CS315AL	—
	Black	CS115BK	—	CS315BK	—
	Brown	CS115	—	CS315	—
	Gray	CS115GY	—	CS315GY	—
	Ivory	CS115I	—	CS315I	—
	Light Almond	CS115LA	—	CS315LA	—
	White	CS115W	—	CS315W	—

**Specification Grade Commercial Series,
20A, 120-277V AC**

Description	Toggle Color	Single Pole	Double Pole	Three Way	Four Way
Toggle, side wired only.	Almond	CS120AL	—	CS320AL	—
	Black	CS120BK	—	CS320BK	—
	Brown	CS120	—	CS320	—
	Gray	CS120GY	—	CS320GY	—
	Ivory	CS120I	—	CS320I	—
	Light Almond	CS120LA	—	CS320LA	—
	White	CS120W	—	CS320W	—

Note: See page C-11 for pre-wired/leaded devices.
See page C-15 for accessories.
See page C-16 for wallplates.
See page C-18 for wiring diagrams.
For pre-wired/leaded devices see page C-11.

HP Conversion Chart

	120V	208V	240V	277V AC
15A	.5HP	1.5HP	2HP	2HP
20A	1HP	2HP	2HP	2HP

Features

- Patented AUTOGUARD® self test technology
- Internal back wiring clamp and guide for quick and secure termination
- Triple wipe construction

Ordering Information

Description	Color	UPC	Catalog Number
20A, 125V, Style Line®, AUTOGUARD® self test GFCI receptacle, flush face, back and side wired, multiple drive screws	Ivory	883778122118	GFRST20I

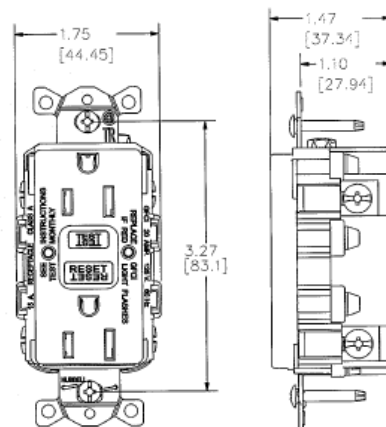


Listings

UL Listed - Canadian and U.S.
Meets ADA Standards
Meets all NEC® requirements
CSA Certified
NEMA® WD-6 Compliant

Specifications

Face	Nylon
Base	Nylon
Power Contacts	Brass
Ground Contacts	Brass
Mounting Strap	Zinc plated steel
Mounting Screws	Zinc plated steel



Online Resources

Customer Use Drawing
eCatalog
Installation Instructions

Straight Blade Devices
 20A, 125V, 2 Pole, 3 Wire Grounding
 Commercial Specification Grade Duplex
 Receptacles

HUBBELL

Features

- Easy access split circuit tab
- Nylon face and base
- Wrap-around galvanized steel strap
- Triple wipe contacts

Ordering Information

Description	Device Color	UPC	Catalog Number
Smooth face, back and side wired.	Ivory	783585834887	BR20I

Listings

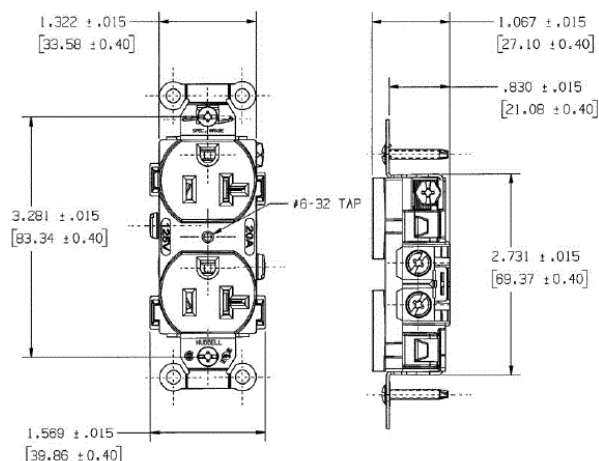
UL Listed to UL498 File No. E2186
 Certified to CSA 22.2, No. 42
 Fed. Spec. W-C-596
 NEMA® WD-6 Compliant

Specifications

Face	Nylon
Base	Nylon
Power Contacts	.030 in. (.8) Brass
Ground Contacts	Brass
Wire Clamp	.062 in. (1.6) Nickel plated steel
Terminal Screws	Plated steel
Mounting Strap	.040 in. (1) Galvanized steel
Automatic Self-grounding Staple	Stainless steel
Mounting Screws	Galvanized Steel

Performance

Electrical	
Current Interrupting	Certified for current interrupting at full rated current
Dielectric Voltage	Withstands 2,000V minimum
Mechanical	
Product Identification	Ratings are a permanent part of the device
Terminal Accommodation	#12-#10 AWG copper stranded or solid conductor only
Terminal Identification	Terminals identified in accordance with UL 498 and CSA
Environmental	
Flammability	UL 94 V-2
Operating Temperatures	Maximum continuous 75°C; minimum -40°C (w/o impact)



Accessories

Wallplate or Weatherproof Cover Duplex Opening

Resources

Customer Use Drawing
 eCatalog

Dimensions in Inches (mm)

Hubbell Wiring Device-Kellems • Hubbell Incorporated (Delaware) • 40 Waterview Drive • Shelton, CT 06484

Phone (800) 288-6000 • Fax (800) 255-1031 • Specifications subject to change without notice.



Galvanized Mushroom Vent Caps

Corrosion resistant vent caps are constructed of ultra durable rust resistant galvanized cast iron. Vent caps are designed with a 30 mesh screen, to prevent debris from entering the vent pipe.

- Popular style is used in the majority of installations in the United States, Alaska, and Canada
- Rust-resistant zinc-plated cast iron design is available in female NPT sizes from $\frac{3}{4}$ to 4
- Each cap is designed with a 30 mesh screen, to prevent debris from entering the vent pipe



SMP #	SIZE	OD
02-075M	$\frac{3}{4}$	2-3/16
02-100M	$\frac{1}{2}$	2-5/8
02-125M	1-1/4	2-3/4
02-150M	1-1/2	3-1/8
02-200M	2	3-15/16
02-300M	3	5-1/8
02-400M	4	6-1/2

GTC

GLOBALTANK COMPONENTS

Emergency Vents

Model 100



PART #	SIZE	UL LISTED FLOW CAPACITY AT 2.5 PSIG (CFH)
1002	2"	24,058
1003	3"	63,633
1004	4"	125,343
1005	5"	195,347
1006	6"	284,968
1008	8"	541,014
10010*	10"	807,803

*Non UL

- Improved design with increased airflow
- Spring loaded – pressure relief set at .5 PSI, full open by 2.5 PSI
- Buna-N-Gasket provides a vapor-tight seal
- Black painted steel construction – custom colors available
- Private labeling available
- NPT connections standard – all thread type connections available
- Male NPT: 2", 3", 4", 5", 6", 8"
- Female NPT: 3", 4", 5", 6", 8"

Warning: Emergency Vents are designed for "Emergency Venting" and must be used in conjunction with other venting devices. Emergency vents must be sized per UL requirements.

Global Tank Components Emergency Vents comply with UL Codes UL-2583, UL-142, UL-2085, UL-2244.

3765 Creamery Road, Bldg. 96 #5, DePere, WI 54115

Phone: 920.264.8457 • Fax: 847.239.7776

Email: sales@globaltankcomponents.net

www.globaltankcomponents.net





M Series

Suspendible/Submersible Leak Detection Switch



Madison Company offers a standard model M3782 liquid level switch that can be fully submerged with 20' of 22 AWG HALAR® jacketed 2-conductor wire. This model is weighted for suspension in non-magnetic tanks and can be used in conjunction with a still pipe. Its materials are suitable for water, hydrocarbons and certain chemicals. Contact Madison Company to check on material compatibility.

This low-cost switch is ideally suited for sumps, dispenser pans, monitoring wells and double-wall tanks where monitoring for leaks is required. The depth of the vertical mount can be easily adjusted by cutting the cable length as required.

This standard model can also be customized to meet your specific application needs. Simply complete the M Series Specification Worksheet and send it to Madison Company for a quotation.

Features

- Affordable
- Easy installation; compact size
- Highly reliable; long service life
- No calibration required
- Suitable for water and hydrocarbons

HALAR® is a registered trademark of Ausimont USA, Inc.

Specifications

Materials

Stem and Extension – Brass

Float – Buna-N

Slosh Shield – PBT

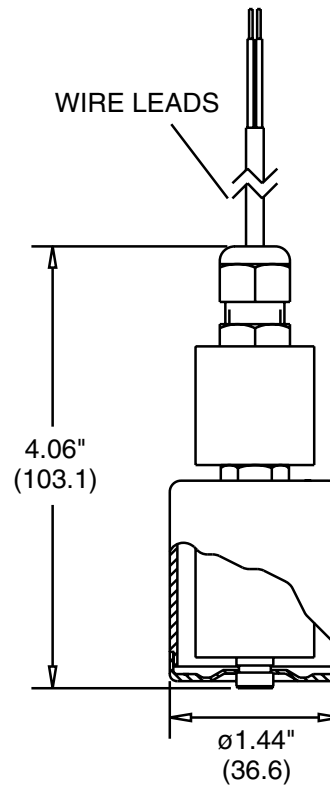
Cable – 20' 22 AWG, HALAR jacketed

Operation

Normally Closed (NC), open on liquid rising

Options

- Wire lengths
- Wetted materials



M3782

Current and Voltage Ratings

Current Amps (Resistive)	Voltage
0.14	220 AC
0.28	110 AC
0.07	120 DC
0.28	24 DC

All specifications are subject to change without notice.



Sensor solutions for today and the future™



Madison Company 800-466-5383 www.madisonco.com

27 Business Park Drive, Branford, CT 06405 • 203-488-4477 • Fax: 203-481-5036 • E-mail: info@madisonco.com

Madison Europe – Phone: + 31 (0) 548 659 034 • Fax: + 31 (0) 548 659 010 • E-mail: madison@eurodev.com



4160 HALF ACRE RD.
 BATAVIA, OH 45103
 513-488-8600

**FUEL TANK LEVEL INDICATING SYSTEM
 STANDARD MODEL- 4LAP3_24VDC**

CONTROLLER DESCRIPTION:

ENCLOSURE: FIBERGLASS 6" X 6" X 4"
 POWER 24VDC
 4 PILOT LIGHTS
 3 RELAYS
 ALARM HORN
 ALARM SILENCE SWITCH
 PUSH TO TEST FUNCTION
 TERMINALS FOR ALL FIELD CONNECTIONS

TANK LEVELS

TANK LEAK
 33% LOW LEVEL
 90% HIGH LEVEL
 95% CRITICAL HIGH LEVEL (WITH ALARM HORN)

RELAYS ARE DPDT FORM C
 WITH DRY ISOLATED OUTPUTS FOR
 GENERATOR CONTROL & CUSTOMER CONNECTION

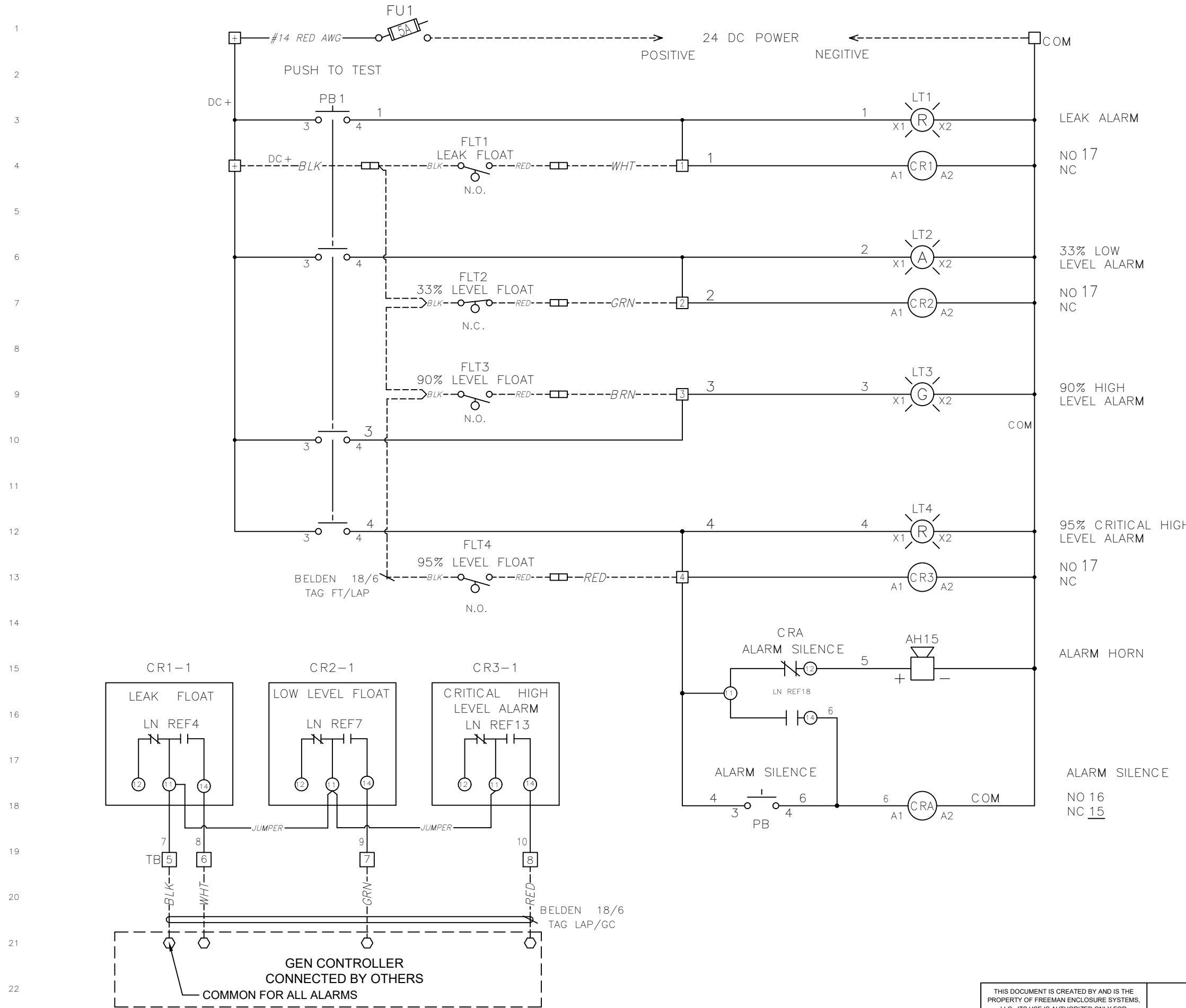
DRAWING & REVISION HISTORY

DATE	INITIALS	REV No.	DESCRIPTION
02/06/20	SK	0	DRAWING CONSTRUCTION SET

THIS DOCUMENT IS CREATED BY AND IS THE PROPERTY OF FREEMAN ENCLOSURE SYSTEMS, LLC. ITS USE IS AUTHORIZED ONLY FOR RESPONDING TO A REQUEST FOR QUOTATION OR FOR THE PERFORMANCE OF WORK FOR FREEMAN ENCLOSURE SYSTEMS, LLC. THIS DRAWING IS NOT INTENDED TO BE USED FOR CONSTRUCTION OR DISTRIBUTION WITHOUT CONSENT.

4LAP3-24				Drawing Number	E752956	REV Number	0
COVER SHEET				Equipment	LAP ALARM PANEL	Designed by	SK
		Aprvd By	MP	Date	02/06/20	Sheet	1 OF 3





**NOTE WIRE COLORS
FOR WIRES NOT TAGGED
IN THIS SCHEMATIC**
 POSITIVE BLUE #18
 NEGATIVE BLUE/W #18

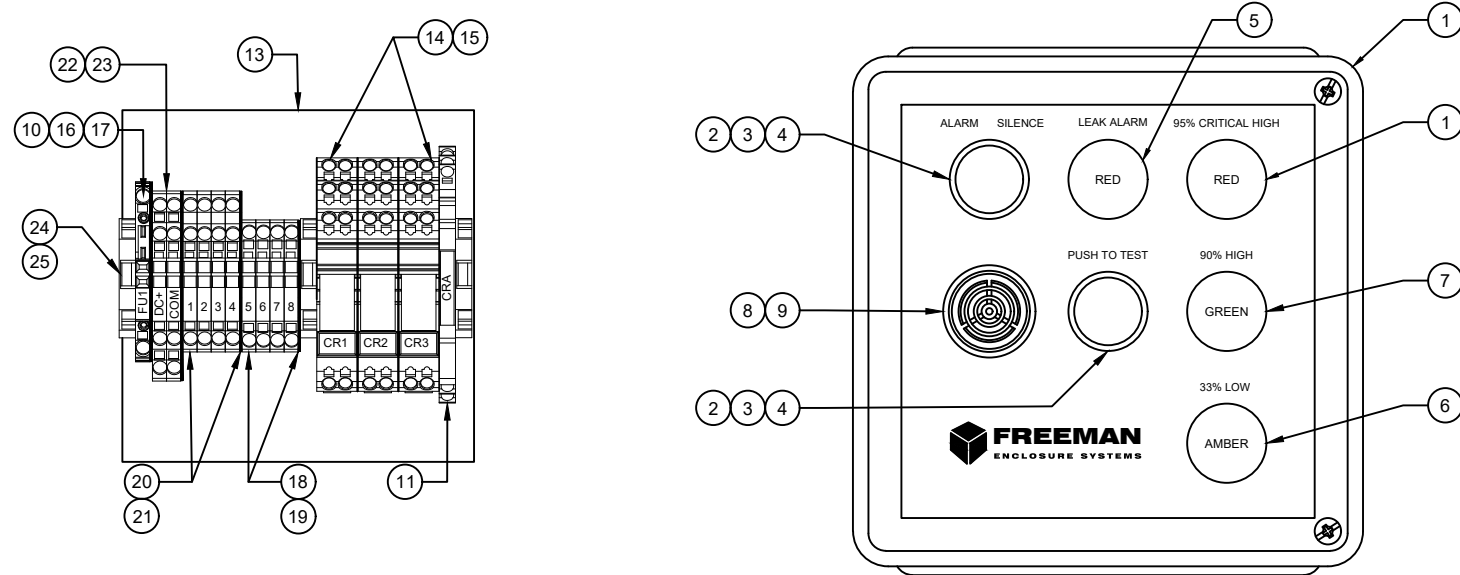
**ALL FLOATS
P/N EL-FLSWT-HI-LOW-LEAK M3782**

THIS DOCUMENT IS CREATED BY AND IS THE PROPERTY OF FREEMAN ENCLOSURE SYSTEMS, LLC. ITS USE IS AUTHORIZED ONLY FOR RESPONDING TO A REQUEST FOR QUOTATION OR FOR THE PERFORMANCE OF WORK FOR FREEMAN ENCLOSURE SYSTEMS, LLC. THIS DRAWING IS NOT INTENDED TO BE USED FOR CONSTRUCTION OR DISTRIBUTION WITHOUT CONSENT.		4LAP3-24		Drawing Number	E752956	REV Number	0
		SCHEMATIC					
Equipment	LAP ALARM PANEL	Designed by	SK	Aprvd By	MP	Date	02/06/20
Sheet	2	of 3					



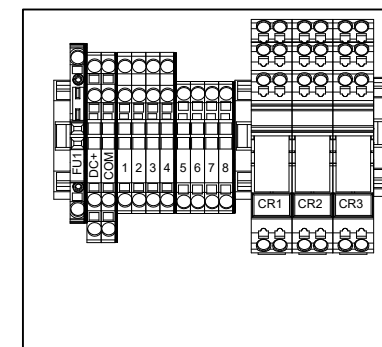
4LAP3 24 ENCLOSURE & BACK PLATE LAYOUT

4LAP3- 24 VDC BOM					
ITEM #	QTY	DESCRIPTION	PART #	MFG	SUPPLIER
1	1	ENCLOSURE 6X6X4	EL-LAB-HOFF-6X6X4 FG SCRCVR 4R	HOFFMANN	KENDALL
2	2	PUSH BUTTON MOMENTARY RED	EL-LAB-SQD ZB5AA4	SCHNEIDER	KENDALL
3	2	MOUNTING COLLAR	EL-LAB-SQD ZB5AZ009	SCHNEIDER	KENDALL
4	5	CONTACT BLOCK NO	EL-LAB-SQD ZBE101	SCHNEIDER	KENDALL
5	2	PILOT LIGHT RED	EL-LAB-IDEDEC HW1P-2FQD-R-24V	IDEDEC	KENDALL
6	1	PILOT LIGHT AMBER	EL-LAB-IDEDEC HW1P-2FQD-A-24V	IDEDEC	KENDALL
7	1	PILOT LIGHT GREEN	EL-LAB-IDEDEC HW1P-2FQD-G-24V	IDEDEC	KENDALL
8	1	HORN	EL-LAB-MALLORY SC628NR	SONALERT	KENDALL
9	1	HORN GASKET	EL-LAB-MALLORY ACC03	SONALERT	KENDALL
10	1	FUSE 5A	EL-LAB-WAGO 51220026	WAGO	KENDALL
11	1	RELAY SPST 24VDC	EL-LAB-WAGO 857-304	WAGO	KENDALL
12	1	BACK PLATE ASSEMBLY	EL-LAB-WAGO 51220029	WAGO	KENDALL



BACK PLATE ASSEMBLY KIT P/N EL-LAB-WAGO 60251174

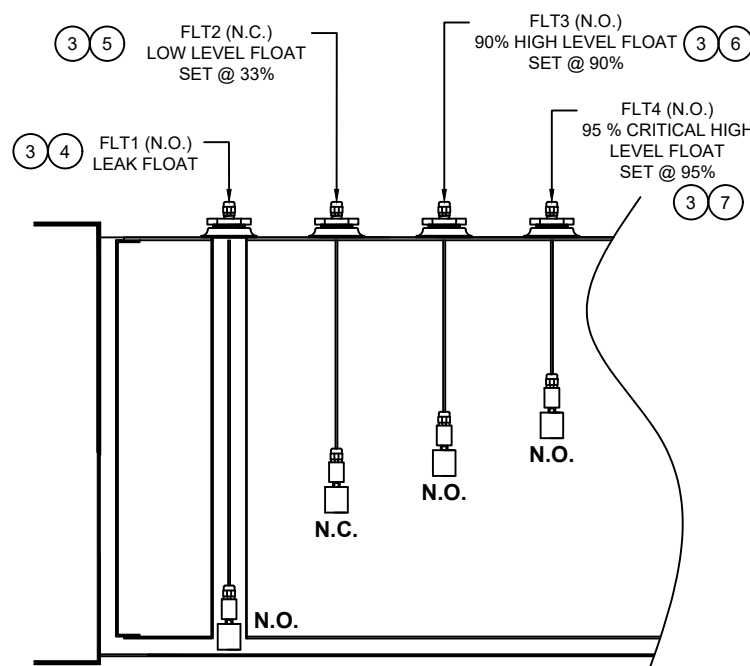
BACK PLATE ASSEMBLY KIT BOM (FOR REFERENCE ONLY)					
ITEM #	QTY	DESCRIPTION	PART #	MFG	SUPPLIER
13	1	ENCLOSURE BACK PLATE	EL-LAB-HOFFMAN 6X6 PANEL	HOFFMANN	KENDALL
14	3	RELAY DPDT 24VDC	EL-LAB-WAGO 788-312	WAGO	KENDALL
15	3	RELAY 788 JUMPER BAR	EL-LAB-WAGO 788-113	WAGO	KENDALL
16	1	FUSE TERMINAL BLOCK	EL-LAB-WAGO 2002-1681	WAGO	KENDALL
17	1	FUSE BLOCK END PLATE	EL-LAB-WAGO 2002-1692	WAGO	KENDALL
18	4	TERMINAL 2 POLE 22-12 AWG	EL-LAB-WAGO 2002-1201	WAGO	KENDALL
19	1	TERMINAL END PLATE 2 POLE 22-12 AWG	EL-LAB-WAGO 2002-1292	WAGO	KENDALL
20	4	TERMINAL 3 POLE 22-12 AWG	EL-LAB-WAGO 2002-1301	WAGO	KENDALL
21	1	TERMINAL END PLATE 3 POLE 22-12 AWG	EL-LAB-WAGO 2002-1392	WAGO	KENDALL
22	2	TERMINAL 4 POLE 22-12 AWG	EL-LAB-WAGO 2002-1401	WAGO	KENDALL
23	1	TERMINAL END PLATE 4POLE 22-12 AWG	EL-LAB-WAGO 2002-1492	WAGO	KENDALL
24	2	DIN RAIL CLAMPS	EL-LAB-WAGO 249-116	WAGO	KENDALL
25	5"	DIN RAIL	EL-LAB-WAGO 210-112	WAGO	KENDALL



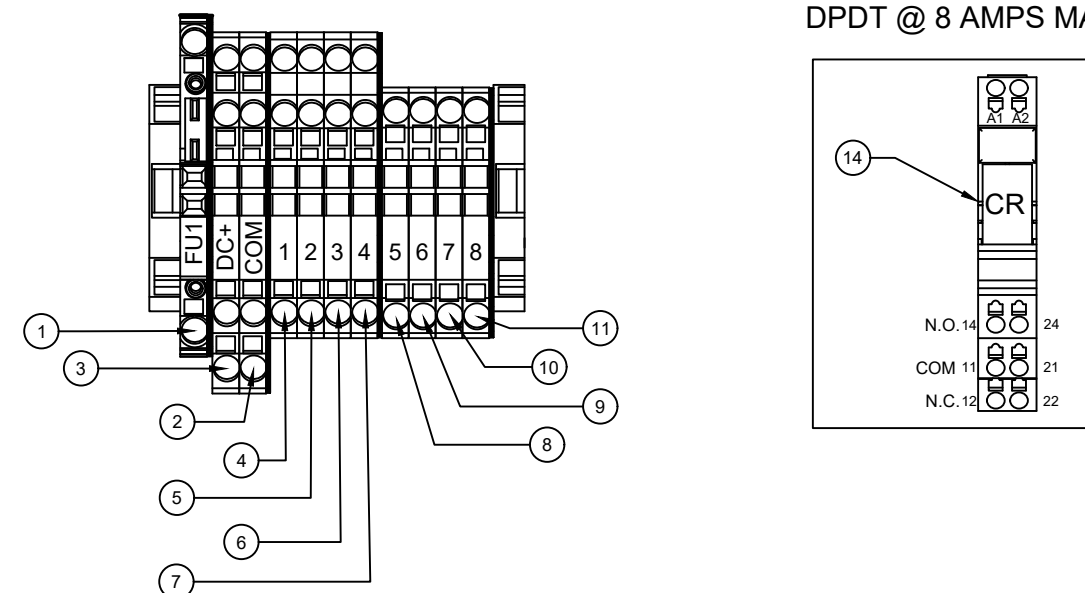
FUEL TANK FLOATS

4LAP3-24 CONNECTIONS: POWER INPUT / TANK FLOATS TO LAP / LAP ALARMS TO GEN CONTROLLER				
ITEM #	TERMINALS	DESCRIPTION	WIRE COLOR	CABLE TYPE
24 VDC POWER INPUT AND DISTRIBUTION				
1	FU1	POWER INPUT 24 VDC POSITIVE	RED	16/2 RED/BLACK CABLE
2	TB COM	POWER INPUT 24 VDC NEGATIVE & POWER DISTRIBUTION	BLACK	
3	TB DC+	24 VDC POSITIVE POWER DISTRIBUTION		
FUEL TANK FLOATS TO ALARM ENCLOSURE				
	TB DC+	24 VDC POSITIVE SUPPLY TO FLOATS	BLACK	BELDEN 18/6 CABLE TAG: FT/LAP
4	TB 1	FLOAT FLT1 TANK LEAK INPUT	WHITE	
5	TB 2	FLOAT FLT2 LOW LEVEL INPUT 33%	GREEN	
6	TB 3	FLOAT FLT3 HIGH LEVEL INPUT 90%	BROWN	
7	TB 4	FLOAT FLT4 CRITICAL HIGH LEVEL INPUT 95%	RED	
TANK LEVEL ALARMS TO GEN ENCLOSURE				
8	TB 5	ALARM COMMON INPUT TO GEN CONTROL	BLACK	BELDEN 18/6 CABLE TAG: LAP/GC
9	TB 6	TANK LEAK ALARM INPUT TO GEN CONTROL	WHITE	
10	TB 7	LOW LEVEL ALARM INPUT TO GEN CONTROL	GREEN	
11	TB 8	CRITICAL HIGH LEVEL ALARM INPUT TO GEN CONTROL	RED	

ALL FLOATS P/N EL-FLSWT-HI-LOW-LEAK M3782



CONTROL RELAY DPDT @ 8 AMPS MAX



THIS DOCUMENT IS CREATED BY AND IS THE PROPERTY OF FREEMAN ENCLOSURE SYSTEMS, LLC. ITS USE IS AUTHORIZED ONLY FOR RESPONDING TO A REQUEST FOR QUOTATION OR FOR THE PERFORMANCE OF WORK FOR FREEMAN ENCLOSURE SYSTEMS, LLC. THIS DRAWING IS NOT INTENDED TO BE USED FOR CONSTRUCTION OR DISTRIBUTION WITHOUT CONSENT.		4LAP3-24		Drawing Number E752956		REV Number 0	
ENCLOSURE LAYOUT/BOM				Equipment LAP ALARM PANEL		Designed by SK / Aprvd By MP / Date 02/06/20 / Sheet 3 OF 3	
2/6/2020 1:54:38 PM, PDF PRINT DATE							



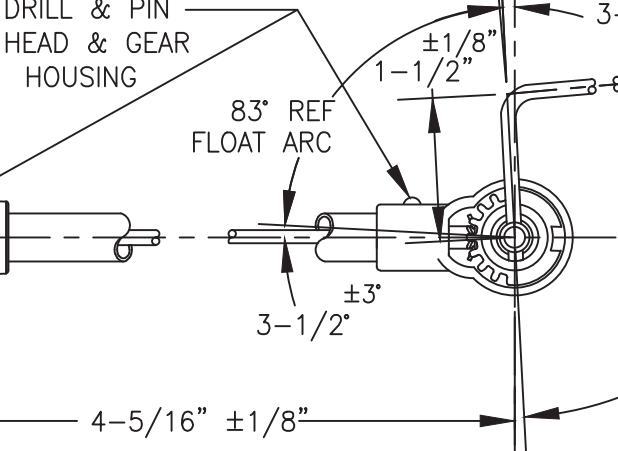
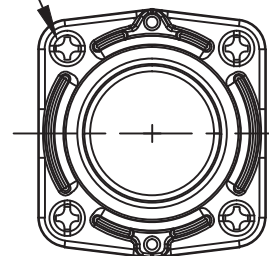
NOTE: P5648S02547 (240-30 Ω)
P5816S02619 (0-90 Ω)
5002S01379 DIRECT READ
DIALS MAY BE USED WITH THIS GAUGE.

FREEMAN

2.5" B.C., FOR ADAPTER MACHINING
DETAILS SEE MS-502.

DRILL & PIN
HEAD & GEAR
HOUSING

83° REF
FLOAT ARC



CUSTOMER NOTE:
SEE DS-1708 FOR FLOAT CUT LENGTH &
ASSEMBLY DETAILS

REPLACEABLE PARTS

- DIAL S/A NO. : NONE PROVIDED
- DIAL SCREWS: NONE PROVIDED
- MOUNTING SCREWS: 40-419, 4 REQD
(1/4-28 X 5/8" L)
- GASKET: 15-4, BUNA "N"

GAUGE MATERIALS

- HEAD: DIE CAST ALUMINUM
- DRIVE MAGNET: ALNICO "LARGE"
- CENTER SHAFT: TEMPERED ALUMINUM
- SUPPORT TUBE: TEMPERED ALUMINUM
- GEARS: STAINLESS STEEL
- CROSS STUD: STAINLESS STEEL
- GEAR HOUSING: DIE CAST ZINC
- BEARINGS: ALL STAINLESS STEEL
- FLOAT: NITRILE RUBBER
- FLOAT ROD: TEMPERED ALUMINUM

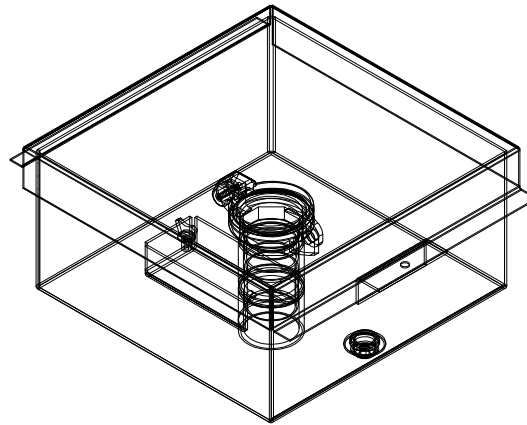
PRODUCTION NOTES:

1. USE 0085S00069 GEAR S/A (UNIVERSAL).
2. USE DW6213S44879 FLOAT S/A WITH TWO 0006-0539 SHIPPED LOOSE. BEND FLOAT ROD AS SHOWN AND INSTALL BACKWARDS IN CROSS STUD.
3. USE 5002S01379 FOR CALIBRATION.

A	44-7/8" WAS 48"	30059A	9/4 13	B	4-5/16 WAS 3; DS-1708 WAS DS-337	30059B	10/14 13				
LET	REVISIONS	E.R.#	DATE	LET	REVISIONS	E.R.#	DATE	LET	REVISIONS	E.R.#	DATE
TOLERANCES DEC. NOT SHOWN		FRAC. ± .010	ANGLES ± 3°	MAT'L: COMMERCIAL TOLERANCES		DO NOT SCALE DRAWING	SUPERSEDES NEW	DRAWN JW	CHK.	E.R.# 30059	USED ON
ROCHESTER GAUGES, INC., OF TEXAS DALLAS, TEXAS, U.S.A.					SCALE NONE	DATE 8/28/13	PART NAME TM ADJUSTABLE GAUGE			DRAWING NUMBER 6540-00242	

LEAK TEST PROCEDURES :

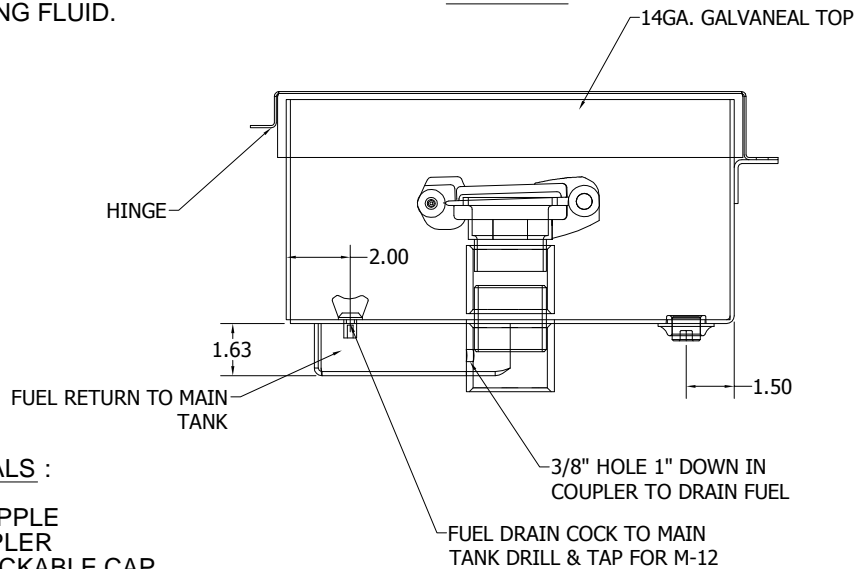
1. INSURE BOX INTERIOR IS FREE OF FUEL RESIDUE AND DEBRIS
2. FILL WITH WATER TO WITHIN 1/4" FROM BOTTOM OF FILL CAP
3. LET STAND FOR 1 HOUR
4. VERIFY WATER LEVEL HAS NOT GONE DOWN
5. INSPECT EXTERIOR FOR VISIBLE LEAKS
6. IF LEAKS ARE FOUND, REMOVE, REPAIR AND REPEAT STEPS 2-4 UNTIL ALL LEAKS ARE COMPLETELY SEALED
7. DO NOT UNSCREW DRAIN COCK DURING TESTING. THIS WILL RELEASE WATER INTO TANK.
8. AFTER TEST IS COMPLETE, DRAIN WATER BY REMOVING EXTERNAL DRAIN PLUG. ADD SEALANT AND REPLACE PLUG



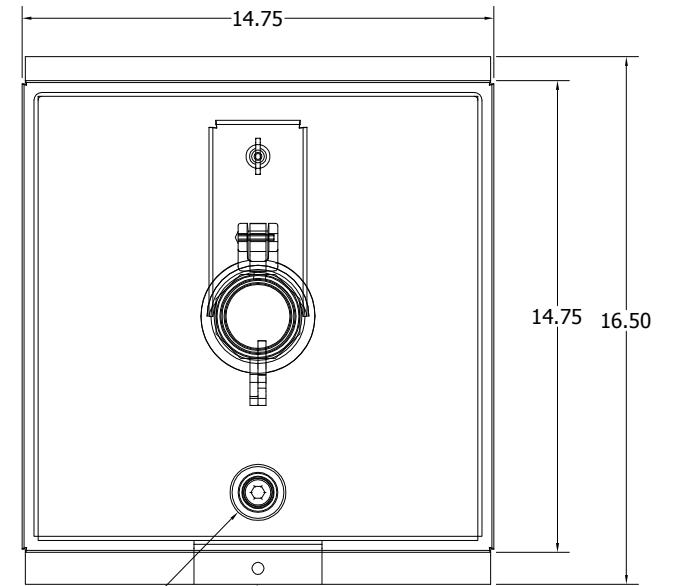
DRAINAGE PROCEDURES :

1. WHEN FUEL IS PRESENT IN CONTAINMENT BOX, UNSCREW FUEL DRAIN COCK TO RELEASE FUEL BACK INTO TANK.
2. THE EXTERNAL DRAIN MAY ALSO BE USED BY UNSCREWING STEEL PLUG.
3. USE APPROPRIATE CONTAINER FOR CATCHING DRAINED FLUIDS.
4. DO NOT OVER TIGHTEN FUEL DRAIN COCK AFTER DRAINING FLUID.

SIDE VIEW



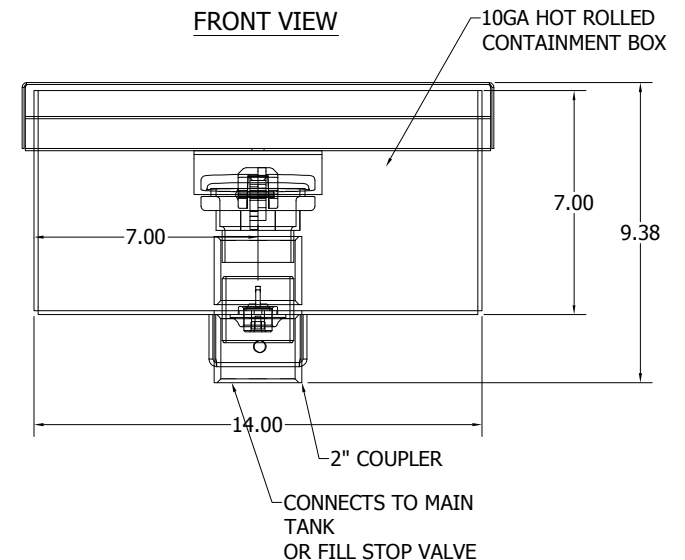
TOP VIEW



1/2" FLANGE & PLUG FOR EXTERNAL DRAIN

LOCKABLE LID

FRONT VIEW



BILL OF MATERIALS :

- (1) 2" CLOSED NIPPLE
- (2) 2" N.P.T.COUPLER
- (1) 2" HINGED LOCKABLE CAP
- (1) NAPA 6051279 FUEL DRAIN COCK

PAINT SCORPION BLACK

THIS DOCUMENT IS CREATED BY AND IS THE PROPERTY OF FREEMAN ENCLOSURE SYSTEMS LLC. ITS USE IS AUTHORIZED ONLY FOR RESPONDING TO A REQUEST FOR QUOTATION OR FOR THE PERFORMANCE OF WORK FOR FREEMAN ENCLOSURE SYSTEMS LLC. THIS DRAWING IS NOT INTENDED TO BE USED FOR CONSTRUCTION OR DISTRIBUTION WITHOUT CONSENT.	GENERATOR:	Designed by:	Checked by:	Filename:	Date:	Reference:
	N/A	Icilver	DF	SHOP	2/13/2013	0 0
D231V01						
Description:	Drawing Number:	Scale:	Sheet:			
5gal. Spill	5g. Spill Containment	1/1	1 of 1			

