

CSDG - 1MW (Open)

CUMMINS / DQFAD 1000



Cummins Sales and Service

NOTICE

A COPY OF THIS GENERATOR SET SUBMITTAL MUST BE RETURNED TO OUR OFFICE, APPROVED IN ITS ENTIRETY AND BEARING THE DATE OF APPROVAL, STAMP OR SIGNATURE AND TITLE OF THE APPROVING AUTHORITY, BEFORE ANY ITEM WILL BE RELEASED FOR MANUFACTURE OR SHIPMENT. WE ASSUME NO RESPONSIBILITY FOR DELAYS IN OUR FORECASTED SHIPPING SCHEDULES ON ANY ITEM ON WHICH SUBMITTAL APPROVAL IS BEYOND THIRTY (30) DAYS FROM THE SUBMISSION DATE ON THE COVER PAGE.

THIS SUBMITTAL IS BASED UPON OUR INTERPRETATION OF THE PROJECT REQUIREMENTS AND/OR SPECIFICATIONS AND IS IN ACCORDANCE WITH YOUR ORDER AND PRODUCT AVAILABILITY OF FROM OUR VENDORS. PLEASE REVIEW THE ENCLOSED DATA COMPLETELY AND CAREFULLY. SHOULD ADDITIONAL INFORMATION OR CLARIFICATION BE REQUIRED PLEASE FORWARD A SUBMITTAL COPY, COMPLETE WITH YOUR NOTATIONS, TO OUR OFFICE WITHIN THIRTY (30) DAYS FOR A PROMPT RESPONSE AND/OR RESUBMITTAL.

CONSIDERABLE ATTENTION IS GIVEN TO THE PREPARATION OF THIS SUBMITTAL TO ENSURE IT IS COMPLETE, CONCISE AND CORRECT AS IS POSSIBLE. PLEASE REVIEW IT CAREFULLY AND THOROUGHLY.

Bill of Materials

Item	Description	Qty
	Diesel Genset: 60Hz-1000kW	
	U.S. EPA, Stationary Emergency Application	1
1000DQFAD	Genset-Diesel,60Hz,1000kW	1
A331-2	Duty Rating-Standby Power	1
L090-2	Listing-UL 2200	1
L170-2	Emissions Certification, EPA, Tier 2, NSPS CI Stationary Emergency	1
R002-2	Voltage-277/480,3 Phase,Wye,4 Wire	1
B276-2	Alternator-60Hz,3 Phase,Wye,Limited Range125C	1
H704-2	Generator Set Control-PowerCommand 3.3, Paralleling	1
H536-2	Display Language-English	1
H678-2	Display-Control, LCD	1
KU67-2	Relays-Paralleling Circuit Breaker Control	1
H679-2	Control Mounting-Front Facing	1
KU93-2	CB or EB or TB-Left Only	1
KP87-2	CB-1600A,3P,600/690V,UL/IEC,ServEnt,100%UL,Left	1
KB73-2	CB or EB or TB-Bottom Entry, Left	1
KR01-2	Circuit Breaker Lugs-Mechanical, Left Side	1
H666-2	Indication-Ground Fault, 3-Pole Xfr Sw, Rmt Mt CT	1
C127-2	Separator-Fuel/Water	1
E126-2	EngineCooling-Enhanced HighAmbient Air Temperature	1
H389-2	Shutdown-Low Coolant Level	1
E098-2	Sight Glass-Coolant Level	1
H557-2	Coolant Heater-208/240/480V, Below 40F Ambient Temp	1
D041-2	Engine Air Cleaner-Normal Duty	1
L028-2	Genset Warranty- Base	1
L050-2	Literature-English	1
SPEC-J	Product Revision - J	1
CP01-2	Common Parts Listing	1
A048G602	Battery Charger-10Amp,120/208/240VAC,12/24V,50/60Hz	1



Diesel generator set QST30 series engine

680 kW - 1000 kW 60 Hz



Description

Cummins® commercial generator sets are fully integrated power generation systems providing optimum performance, reliability and versatility for stationary Standby and Prime power applications.

Features

Cummins heavy-duty engine - Rugged 4-cycle, industrial diesel delivers reliable power, low emissions and fast response to load changes.

Alternator - Several alternator sizes offer selectable motor starting capability with low reactance 2/3 pitch windings, low waveform distortion with non-linear loads and fault clearing short-circuit capability.

Permanent Magnet Generator (PMG) - Offers enhanced motor starting and fault clearing short circuit capability.

Circuit breakers - Option for manually-and/or electrically-operated circuit breakers.

Control system - The PowerCommand® electronic control is standard equipment and provides total generator set system integration including automatic remote starting/stopping, precise frequency and voltage regulation, alarm and status message display, AmpSentry™ protection, output metering, auto-shutdown at fault detection and NFPA 110 Level 1 compliance.

Masterless Paralleling - An optional electrically operated circuit breaker can be added for a simple masterless paralleling solution.

Cooling system - Standard integral set-mounted radiator system, designed and tested for rated ambient temperatures, simplifies facility design requirements for rejected heat.

NFPA - The generator set accepts full rated load in a single step in accordance with NFPA 110 for Level 1 systems.

Warranty and service - Backed by a comprehensive warranty and worldwide distributor network.

	Standby rating	Prime rating	Continuous rating	Data sheets
Model	60 Hz kW (kVA)	60 Hz kW (kVA)	60 Hz kW (kVA)	60 Hz
DQFAA	750 (938)	680 (850)		D-3329
DQFAB	800 (1000)	725 (907)		D-3330
DQFAC	900 (1125)	818 (1023)		D-3331
DQFAD	1000 (1250)	900 (1125)		D-3332

Generator set specifications

Governor regulation class	ISO 8528 Part 1 Class G3
Voltage regulation, no load to full load	± 0.5%
Random voltage variation	± 0.5%
Frequency regulation	Isochronous
Random frequency variation	± 0.25%
Radio frequency emissions compliance	IEC 61000-4-2: Level 4 Electrostatic discharge IEC 61000-4-3: Level 3 Radiated susceptibility

Engine specifications

Bore	140 mm (5.51 in.)
Stroke	165.0 mm (6.5 in.)
Displacement	30.5 L (1860 in ³)
Cylinder block	Cast iron, V 12 cylinder
Battery capacity	1800 amps minimum at ambient temperature of -18 °C to 0 °C (0 °F to 32 °F)
Battery charging alternator	35 amps
Starting voltage	24 volt, negative ground
Fuel system	Direct injection: number 2 diesel fuel, fuel filter, automatic electric fuel shutoff
Fuel filter	Triple element, 10 micron filtration, spin-on fuel filters with water separator
Air cleaner type	Dry replaceable element
Lube oil filter type(s)	Four spin-on, combination full flow filter and bypass filters
Standard cooling system	High ambient radiator

Alternator specifications

Design	Brushless, 4 pole, drip-proof, revolving field
Stator	2/3 pitch
Rotor	Single bearing flexible discs
Insulation system	Class H on low and medium voltage, Class F on high voltage
Standard temperature rise	150 °C Standby at 40 °C ambient
Exciter type	PMG (Permanent Magnet Generator)
Phase rotation	A (U), B (V), C (W)
Alternator cooling	Direct drive centrifugal blower fan
AC waveform Total Harmonic Distortion (THDV)	< 5% no load to full linear load, < 3% for any single harmonic
Telephone Influence Factor (TIF)	< 50 per NEMA MG1-22.43
Telephone Harmonic Factor (THF)	< 3

Available voltages

60 Hz Line – Neutral/Line - Line

• 120/208	• 220/380	• 240/416	• 347/600
• 139/240	• 230/400	• 277/480	

Note: Consult factory for other voltages.

Generator set options

Engine

- 208/240/480 V coolant heater for ambient above 4.5 °C (40 °F)
- 208/240/480 V coolant heater for ambient below 4.5 °C (40 °F)

Control panel

- PowerCommand 3.3 with Masterless Load Demand (MLD)
- Run relay package
- Ground fault indication
- Paralleling configuration

- Remote fault signal package
- Exhaust gas temperature sensor
- 120/240 V 100 W control anti-condensation heater

Alternator

- 80 °C rise
- 125 °C rise
- 150 °C rise
- 120/240 V 300 W anti-condensation heater
- Temperature sensor - RTDs, 2-phase

- Temperature sensor – alternator bearing RTD
- Differential current transformers

Exhaust system

- Critical grade exhaust silencer
- Exhaust packages
- Industrial grade exhaust silencer
- Residential grade exhaust silencer

Cooling system

- High ambient 50 °C radiator

Generator set

- AC entrance box
- Battery
- Battery rack with hold-down - floor standing
- Circuit breaker - set mounted
- Disconnect switch - set mounted
- PowerCommand network
- Remote annunciator panel
- Spring isolators
- 2 year warranty
- 5 year warranty
- 10 year major components warranty

Note: Some options may not be available on all models - consult factory for availability.

PowerCommand 3.3 Control System



An integrated microprocessor based generator set control system providing voltage regulation, engine protection, alternator protection, operator interface and isochronous governing. Refer to document S-1570 for more detailed information on the control.

AmpSentry – Includes integral AmpSentry protection, which provides a full range of alternator protection functions that are matched to the alternator provided.

Power management – Control function provides battery monitoring and testing features and smart starting control system.

Advanced control methodology – Three phase sensing, full wave rectified voltage regulation, with a PWM output for stable operation with all load types.

Communications interface – Control comes standard with PCCNet and Modbus® interface.

Regulation compliant – Prototype tested: UL, CSA and CE compliant.

Service - InPower™ PC-based service tool available for detailed diagnostics, setup, data logging and fault simulation.

Easily upgradeable – PowerCommand controls are designed with common control interfaces.

Reliable design – The control system is designed for reliable operation in harsh environment.

Multi-language support

Operator panel features

Operator/display functions

- Displays paralleling breaker status
- Provides direct control of the paralleling breaker
- 320 x 240 pixels graphic LED backlight LCD

- Auto, manual, start, stop, fault reset and lamp test/panel lamp switches
- Alpha-numeric display with pushbuttons
- LED lamps indicating generator set running, remote start, not in auto, common shutdown, common warning, manual run mode, auto mode and stop

Paralleling control functions

- First Start Sensor System selects first generator set to close to bus
- Phase Lock Loop Synchronizer with voltage matching
- Sync check relay
- Isochronous kW and kVar load sharing
- Load govern control for utility paralleling
- Extended Paralleling (Base Load/Peak Shave) Mode
- Digital power transfer control, for use with a breaker pair to provide open transition, closed transition, ramping closed transition, peaking and base load functions,
- Alternator data
- Line-to-Neutral and Line-to-Line AC volts
- 3-phase AC current
- Frequency
- kW, kVar, power factor kVA (three phase and total)
- Engine data
- DC voltage
- Engine speed
- Lube oil pressure and temperature
- Coolant temperature
- Comprehensive FAE data (where applicable)
- Other data
- Genset model data
- Start attempts, starts, running hours, kW hours
- Load profile (operating hours at % load in 5% increments)
- Fault history
- Data logging and fault simulation (requires InPower)

Standard control functions

Digital governing

- Integrated digital electronic isochronous governor
- Temperature dynamic governing

Digital voltage regulation

- Integrated digital electronic voltage regulator
- 3-phase, 4-wire Line-to-Line sensing
- Configurable torque matching

AmpSentry AC protection

- AmpSentry protective relay
- Over current and short circuit shutdown
- Over current warning
- Single and three phase fault regulation
- Over and under voltage shutdown
- Over and under frequency shutdown
- Overload warning with alarm contact
- Reverse power and reverse Var shutdown
- Field overload shutdown

Engine protection

- Battery voltage monitoring, protection and testing
- Overspeed shutdown
- Low oil pressure warning and shutdown
- High coolant temperature warning and shutdown
- Low coolant level warning or shutdown
- Low coolant temperature warning
- Fail to start (overcrank) shutdown
- Fail to crank shutdown
- Cranking lockout
- Sensor failure indication
- Low fuel level warning or shutdown
- Fuel-in-rupture-basin warning or shutdown
- Full authority electronic engine protection

Control functions

- Time delay start and cool down
- Real time clock for fault and event time stamping
- Exerciser clock and time of day start/stop
- Data logging
- Cycle cranking
- Load shed
- Configurable inputs and outputs (4)
- Remote emergency stop

Options

- Auxiliary output relays (2)

Ratings definitions

Emergency Standby Power (ESP):

Applicable for supplying power to varying electrical load for the duration of power interruption of a reliable utility source. Emergency Standby Power (ESP) is in accordance with ISO 8528. Fuel Stop power in accordance with ISO 3046, AS 2789, DIN 6271 and BS 5514.

Limited-Time Running Power (LTP):

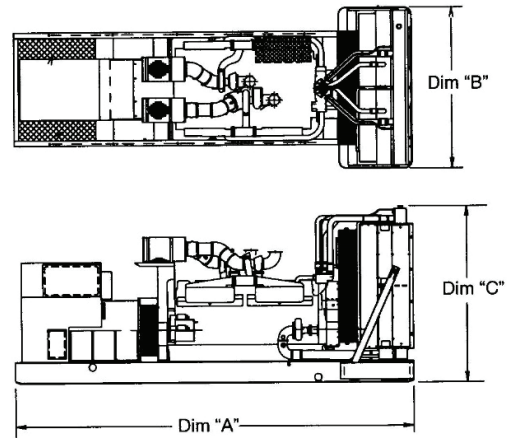
Applicable for supplying power to a constant electrical load for limited hours. Limited-Time running Power (LTP) is in accordance with ISO 8528.

Prime Power (PRP):

Applicable for supplying power to varying electrical load for unlimited hours. Prime Power (PRP) is in accordance with ISO 8528. Ten percent overload capability is available in accordance with ISO 3046, AS 2789, DIN 6271 and BS 5514.

Base Load (Continuous) Power (COP):

Applicable for supplying power continuously to a constant electrical load for unlimited hours. Continuous Power (COP) in accordance with ISO 8528, ISO 3046, AS 2789, DIN 6271 and BS 5514.



- This outline drawing is for reference only. See respective model data sheet for specific model outline drawing number.





Model	Dim 'A' mm (in.)	Dim 'B' mm (in.)	Dim 'C' mm (in.)	Set Weight dry* (lb)	Set Weight wet* (lb)
DQFAA	4287 (168.8)	1990 (78.3)	2355 (92.7)	6671 (14707)	6969 (15363)
DQFAB	4287 (168.8)	1990 (78.3)	2355 (92.7)	6894 (15199)	7192 (15855)
DQFAC	4287 (168.8)	1990 (78.3)	2355 (92.7)	7373 (16254)	7670 (16910)
DQFAD	4287 (168.8)	1990 (78.3)	2355 (92.7)	7631 (16824)	7929 (17480)

* Weights represent a set with standard features. See outline drawings for weights of other configurations.

see below drawings for overall shipping weight and dimensions

Codes and standards

Codes or standards compliance may not be available with all model configurations – consult factory for availability.

 <p>This generator set is designed in facilities certified to ISO 9001 and manufactured in facilities certified to ISO 9001 or ISO 9002.</p>	 <p>The generator set is available listed to UL 2200, Stationary Engine Generator Assemblies for all 60 Hz low voltage models. The PowerCommand control is Listed to UL 508 - Category NITW7 for U.S. and Canadian usage. Circuit breaker assemblies are UL 489 Listed for 100% Continuous operation and also UL 869A Listed Service Equipment.</p>
 <p>The Prototype Test Support (PTS) program verifies the performance integrity of the generator set design. Cummins products bearing the PTS symbol meet the prototype test requirements of NFPA 110 for Level 1 systems.</p>	<p>U.S. EPA</p> <p>Engine certified to Stationary Emergency U.S. EPA New Source Performance Standards, 40 CFR 60 subpart IIII Tier 2 exhaust emission levels. U.S. applications must be applied per this EPA regulation.</p>
 <p>All low voltage models are CSA certified to product class 4215-01.</p>	<p>International Building Code</p> <p>The generator set package is available certified for seismic application in accordance with the following International Building Code: IBC2000, IBC2003, IBC2006, IBC2009 and IBC2012.</p>

Warning: Back feed to a utility system can cause electrocution and/or property damage. Do not connect to any building's electrical system except through an approved device or after building main switch is open.

For more information contact your local Cummins distributor or visit power.cummins.com

Our energy working for you.™



Generator Set Data Sheet



Model:	DQFAD
Frequency:	60 Hz
Fuel Type:	Diesel
kW Rating:	1000 Standby 900 Prime
Emissions level:	EPA NSPS Stationary Emergency Tier 2

Exhaust emission data sheet:	EDS-1063
Exhaust emission compliance sheet:	EPA-1097
Sound performance data sheet:	MSP-1038
Cooling performance data sheet:	MCP-156
Prototype test summary data sheet:	PTS-266
Standard set-mounted radiator cooling outline:	A049K674
Optional remote radiator cooling outline:	A053G787

Fuel Consumption	Standby				Prime				Continuous
	kW (kVA)				kW (kVA)				kW (kVA)
Ratings	1000 (1250)				900 (1125)				
Load	1/4	1/2	3/4	Full	1/4	1/2	3/4	Full	Full
US gph	18.7	36.4	54.2	71.9	16.9	32.4	48.0	63.5	
L/hr	70.6	137.8	205.1	272.3	64.0	122.8	181.5	240.3	

Engine	Standby rating	Prime rating	Continuous rating
Engine manufacturer	Cummins Inc.		
Engine model	QST30-G5 NR2		
Configuration	Cast iron, V 12 cylinder		
Aspiration	Turbocharged and low temperature after-cooled		
Gross engine power output, kWm (bhp)	1112 (1490)	1007 (1350)	
BMEP at set rated load, kPa (psi)	2417 (351)	2160 (313)	
Bore, mm (in.)	140 (5.51)		
Stroke, mm (in.)	165 (6.5)		
Rated speed, rpm	1800		
Piston speed, m/s (ft/min)	9.91 (1950)		
Compression ratio	14.7:1		
Lube oil capacity, L (qt)	154 (162.8)		
Overspeed limit, rpm	2100 ±50		
Regenerative power, kW	82		

Fuel Flow	
Maximum fuel flow, L/hr (US gph)	570 (150)
Maximum fuel inlet restriction, kPa (in Hg)	27 (8.0)
Maximum fuel inlet temperature, °C (°F)	66 (150)

Air	Standby rating	Prime rating	Continuous rating
Combustion air, m ³ /min (scfm)	88 (3150)	81 (2880)	
Maximum air cleaner restriction, kPa (in H ₂ O)	6.2 (25)		
Alternator cooling air, m ³ /min (cfm)	204 (7300)		

Exhaust

Exhaust flow at set rated load, m ³ /min (cfm)	211 (7540)	195 (6950)	
Exhaust temperature, °C (°F)	477 (890)	467 (873)	
Maximum back pressure, kPa (in H ₂ O)	6.8 (27)		

Standard Set-Mounted Radiator Cooling

Ambient design, °C (°F)	50 (122)		
Fan load, kW _m (HP)	33.1 (44.4)		
Coolant capacity (with radiator), L (US gal)	167 (44)		
Cooling system air flow, m ³ /min (scfm)	1097.5 (38753)		
Total heat rejection, MJ/min (Btu/min)	49.1 (46545)	44.07 (41775)	
Maximum cooling air flow static restriction, kPa (in H ₂ O)	0.12 (0.5)		
Maximum fuel return line restriction kPa (in Hg)	67.5 (20)		

Optional Heat Exchanger Cooling

Set coolant capacity, L (US gal)			
Heat rejected, jacket water circuit, MJ/min (Btu/min)			
Heat rejected, aftercooler circuit, MJ/min (Btu/min)			
Heat rejected, fuel circuit, MJ/min (Btu/min)			
Total heat radiated to room, MJ/min (Btu/min)			
Maximum raw water pressure, jacket water circuit, kPa (psi)			
Maximum raw water pressure, aftercooler circuit, kPa (psi)			
Maximum raw water pressure, fuel circuit, kPa (psi)			
Maximum raw water flow, jacket water circuit, L/min (US gal/min)			
Maximum raw water flow, aftercooler circuit, L/min (US gal/min)			
Maximum raw water flow, fuel circuit, L/min (US gal/min)			
Minimum raw water flow at 27 °C (80 °F) inlet temp, jacket water circuit, L/min (US gal/min)			
Minimum raw water flow at 27 °C (80 °F) inlet temp, aftercooler circuit, L/min (US gal/min)			
Minimum raw water flow at 27 °C (80 °F) inlet temp, fuel circuit, L/min (US gal/min)			
Raw water delta P at min flow, jacket water circuit, kPa (psi)			
Raw water delta P at min flow, aftercooler circuit, kPa (psi)			
Raw water delta P at min flow, fuel circuit, kPa (psi)			
Maximum jacket water outlet temp, °C (°F)			
Maximum aftercooler inlet temp, °C (°F)			
Maximum aftercooler inlet temp at 25 °C (77 °F) ambient, °C (°F)			
Maximum fuel return line restriction, kPa (in Hg)			

Optional Remote Radiator Cooling¹	Standby rating	Prime rating	Continuous rating
Set coolant capacity, L (US gal)			
Max flow rate at max friction head, jacket water circuit, L/min (US gal/min)	992 (262)		
Max flow rate at max friction head, aftercooler circuit, L/min (US gal/min)	303 (80)		
Heat rejected, jacket water circuit, MJ/min (Btu/min)	22.67 (21500)	21.01 (19925)	
Heat rejected, aftercooler circuit, MJ/min (Btu/min)	18.35 (17400)	15.69 (14885)	
Heat rejected, fuel circuit, MJ/min (Btu/min)			
Total heat radiated to room, MJ/min (Btu/min)	6.1 (5753)	5.6 (5301)	
Maximum friction head, jacket water circuit, kPa (psi)	69 (10)		
Maximum friction head, aftercooler circuit, kPa (psi)	48 (7)		
Maximum static head, jacket water circuit, m (ft)	14 (46)		
Maximum static head, aftercooler circuit, m (ft)	14 (46)		
Maximum jacket water outlet temp, °C (°F)	104 (220)	100 (212)	
Maximum aftercooler inlet temp at 25 °C (77 °F) ambient, °C (°F)	41 (105)		
Maximum aftercooler inlet temp, °C (°F)	62 (143)	56 (133)	
Maximum fuel flow, L/hr (US gph)			
Maximum fuel return line restriction, kPa (in Hg)	67.5 (20)		

Weights²

Unit dry weight kgs (lbs)	7594 (16742)
Unit wet weight kgs (lbs)	7857 (17322)

see below drawings for overall shipping weight and dimensions



Notes:

¹ For non-standard remote installations contact your local Cummins representative.

² Weights represent a set with standard features. See outline drawing for weights of other configurations.

Derating Factors

Standby	Engine power available up to 701 m (2300 ft) at ambient temperatures up to 40 °C (104 °F). Above these elevations, derate at 3.5% per 305 m (1000 ft) and 7% per 10 °C (18 °F).
Prime	Engine power available up to 727 m (2385 ft) at ambient temperatures up to 40 °C (104 °F). Above these elevations, derate at 3.5% per 305 m (1000 ft) and 7% per 10 °C (18 °F).
Continuous	

Ratings Definitions

Emergency Standby Power (ESP):	Limited-Time Running Power (LTP):	Prime Power (PRP):	Base Load (Continuous) Power (COP):
Applicable for supplying power to varying electrical load for the duration of power interruption of a reliable utility source. Emergency Standby Power (ESP) is in accordance with ISO 8528. Fuel stop power in accordance with ISO 3046, AS 2789, DIN 6271 and BS 5514.	Applicable for supplying power to a constant electrical load for limited hours. Limited-Time Running Power (LTP) is in accordance with ISO 8528.	Applicable for supplying power to varying electrical load for unlimited hours. Prime Power (PRP) is in accordance with ISO 8528. Ten percent overload capability is available in accordance with ISO 3046, AS 2789, DIN 6271 and BS 5514.	Applicable for supplying power continuously to a constant electrical load for unlimited hours. Continuous Power (COP) is in accordance with ISO 8528, ISO 3046, AS 2789, DIN 6271 and BS 5514. No sustained overload capability is available at this rating.

Alternator Data

Voltage	Connection ¹	Temp rise degrees C	Duty ²	Single phase factor ³	Max surge kVA ⁴	Surge kW	Alternator data sheet	Feature code
120/208-139/240	12-lead	125/105	S/P		4234	1019	ADS-312	B252
240/416-277/480	12-lead	125/105	S/P		4234	1019	ADS-312	B252
277/480	Wye, 3-phase	125/105	S/P		3866	1018	ADS-311	B276
220/380-277/480	Wye, 3-phase	125/105	S/P		4602	1018	ADS-330	B282
220/380-277/480	Wye, 3-phase	105/80	S/P		4602	1018	ADS-330	B283
210/380-277/480	Wye, 3-phase	80	S		5521	1024	ADS-331	B284
240/416-277/480	Wye	125/105	S/P		4234	1019	ADS-312	B288
347/600	3-phase	125/105	S/P		3866	1021	ADS-311	B300
347/600	3-phase	105/80	S/P		4234	1024	ADS-312	B301
347/600	3-phase	80	S		4602	1004	ADS-330	B604

Notes:

¹ Limited single phase capability is available from some three phase rated configurations. To obtain single phase rating, multiply the three phase kW rating by the Single Phase Factor³. All single phase ratings are at unity power factor.

² Standby (S), Prime (P) and Continuous ratings (C).

³ Factor for the *Single phase output from Three phase alternator* formula listed below.

⁴ Maximum rated starting kVA that results in a minimum of 90% of rated sustained voltage during starting.

Formulas for Calculating Full Load Currents:

Three phase output

$$\frac{\text{kW} \times 1000}{\text{Voltage} \times 1.73 \times 0.8}$$

Single phase output

$$\frac{\text{kW} \times \text{SinglePhaseFactor} \times 1000}{\text{Voltage}}$$

Warning: Back feed to a utility system can cause electrocution and/or property damage. Do not connect to any building's electrical system except through an approved device or after building main switch is open.

For more information contact your local Cummins distributor or visit power.cummins.com

Our energy working for you.™





PowerCommand® 3.3 Generator Set Digital Integrated Control System



Bargraph Optional

Introduction

The PowerCommand® 3.3 control system is a microprocessor-based generator set monitoring, metering, and control system, which is comprised of PowerCommand® Control 3300 and the Human Machine Interface 320. PCC3300 supports multiple operation modes including:

- Standalone,
- Synchronization only,
- Isolated bus paralleling,
- Utility single generator set paralleling,
- Utility multiple generator set paralleling,
- Utility single generator set paralleling with power transfer control (automatic mains failure),
- Isolated bus paralleling with Masterless Load Demand

PowerCommand® Control 3300 is designed to meet the exacting demands of the harsh and diverse environments of today's typical power generation applications for Full Authority Electronic or Hydromechanical engine power generator sets.

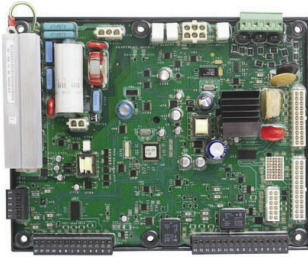
Offering enhanced reliability and performance over more conventional generator set controls via the integration of all generator control functions into a single system, PCC3300 is your Power of One generator set control solution.

Benefits and Features

- 320 x 240 pixels graphical LED backlit LCD
- Multiple languages supported
- AmpSentry™ protection provides industry-leading generator overcurrent protection
- Digital Power Transfer Control (Automatic Mains Failure) provides load transfer operation in open transition, closed transition, or soft (ramping) transfer modes

- Extended Paralleling (Peak Shave/Base Load) regulates the genset real and reactive power output while paralleled to the utility. Power can be regulated at either the genset or utility bus monitoring point
- Digital frequency synchronization and voltage matching
- Isochronous Load Sharing
- Droop kW and kVAr control
- Real time clock for fault and event time stamping
- Exerciser clock and time of day start/stop initiate a test with or without load, or a Base Load or Peak Shave session
- Digital automatic voltage regulation is provided using three phase sensing and full wave FET type regulator, which is compatible with either shunt or PMG excited systems with a standard AUX103 AVR or an option for a more powerful high-current field drive capability AUX106 AVR
- Digital engine speed governing is provided on applicable platforms
- Generator set monitoring (including metering) and protection with PCC3300 measuring voltage, current, kW and kVAr offering a measurement accuracy of 1%
- Utility / AC Bus metering and protection with PCC3300 voltage, current, kW and kVAr offering a measurement accuracy of 1%
- 12 V (DC) and 24 V (DC) battery operation
- RS-485 Modbus® interface for interconnecting to customer equipment
- Warranty and service – Cummins Power Generation offers a comprehensive warranty and worldwide distributor service network
- Global regulatory certification and compliance: PCC3300 is suitable for use on gensets that are designed, manufactured, tested and certified to relevant UL, NFPA, ISO, IEC, Mil Std. and CE standards

PowerCommand® Generator Set Digital Control System PCC 3300



Introduction

PCC3300 is an industry-leading digital generator set control suitable for usage on a wide range of diesel and lean burn natural gas generator sets in both standalone as well as paralleling applications.

PowerCommand® is compatible with either shunt or PMG excitation, and is suitable for usage with reconnectable or non-reconnectable generators. Configuration for any frequency, voltage and power connection from 120 V (AC) to 600 V (AC) line-to-line or 601 V (AC) to 45k V (AC) with an external PT is supported. The PCC3300 derives its own power from the generator set starting batteries and functions over a voltage range of 8 V (DC) to 30 V (DC).

Features

- PCC3300 supports configurable control features via software download using InPower PC-compatible software
- 12 V (DC) and 24 V (DC) battery operation
- Digital automatic voltage regulation is provided using three phase sensing and full wave FET type regulator, which is compatible with either shunt or PMG excited systems with a standard AUX103 AVR or an option for a more powerful high-current field drive capability AUX106 AVR
- Digital engine speed governing on applicable platform is provided, which is capable of providing isochronous frequency regulation
- Full authority J1939 CANBus® prime mover communications and control is provided for platforms with an Engine Control Module (ECM)
- AmpSentry™ protection provides industry-leading alternator overcurrent protection:
 - Time-based generator protection applicable to both line-to-line and line-to-neutral, that can detect an unbalanced fault condition and swiftly react appropriately. Balanced faults can also be detected by AmpSentry and appropriate acted upon.
 - Reduces the risk of Arc Flash due to thermal overload or electrical faults by inverse time protection

- Generator set monitoring offers status information for all critical prime mover and generator functions
- AC and DC digital generator set metering is provided. AC measurements are configurable for single or three phase sensing with PCC3300 measuring voltage, current, kW and kVAr offering a measurement accuracy of 1%
- Battery monitoring system continually monitors the battery output and warns of the potential occurrence of a weak battery condition
- Relay drivers for prime mover starter, fuel shutoff (FSO), glow plug/spark ignition power and switched B+ applications are provided
- Integrated generator set protection is offered to protect the prime mover and generator
- Real time clock for fault and event time stamping
- Exerciser clock and time of day start/stop initiate a test with or without load, or a Base Load or Peak Shave session
- Digital Power Transfer Control (Automatic Mains Failure) provides load transfer operation in open transition, closed transition, or soft (ramping) transfer modes
- Extended Paralleling (Peak Shave/Base Load) regulates the genset real and reactive power output while paralleled to the utility. Power can be regulated at either the genset or utility bus monitoring point
- Digital frequency synchronization and voltage matching
- Isochronous Load Sharing
- Droop kW and kVAr Control
- The synchronization check function provides adjustments for phase angle window, voltage window, frequency window and time delay
- Utility / AC Bus metering and protection with PCC3300 voltage, current, kW and kVAr offering a measurement accuracy of 1%
- Advanced serviceability is offered via InPower™, a PC-based software service tool
- PCC3300 is designed for reliable operation in harsh environments with the unit itself being a fully encapsulated module
- RS-485 ModBus interface for interconnecting to customer equipment
- Native on PCC3300: Four discrete inputs, two dry contact relay outputs and two low-side driver outputs are provided and are all configurable.
 - Optional extra PCC3300 input and output capability available via AUX101
- Warranty and service – Cummins Power Generation offers a comprehensive warranty and worldwide distributor service network
- Global regulatory certification and compliance: PCC3300 is suitable for use on gensets that are designed, manufactured, tested and certified to relevant UL, NFPA, ISO, IEC, Mil Std. and CE standards

Base Control Functions

HMI capability

Options: Local and remote HMI320 options are available

Operator adjustments: The HMI320 includes provisions for many set up and adjustment functions.

Genset hardware data: Access to the control and software part number, genset rating in kVA and genset model number is provided from the HMI320 or InPower.

Data logs: Information concerning all of the following parameters is periodically logged and available for viewing; engine run time, controller on time, number of start attempts, total kilowatt hours, and load profile. (Control logs data indicating the operating hours at percent of rated kW load, in 5% increments. The data is presented on the operation panel based on total operating hours on the generator.)

Fault history: Provides a record of the most recent fault conditions with control date and time stamp. Up to 32 events are stored in the control non-volatile memory.

Alternator data

- Voltage (single or three phase line-to-line and line-to-neutral)
- Current (single or three phase)
- kW, kVAR, Power Factor, kVA (three phase and total)
- Frequency

For Lean Burn Natural Gas Engine applications:

- Alternator heater status
- Alternator winding temperature (per phase) as well as alternator drive end and non-drive end bearing

Utility/AC bus data

- Voltage (three phase line-to-line and line-to-neutral)
- Current (three phase and total)
- kW, kVAR, Power Factor, kVA (three phase and total)
- Frequency

AmpSentry: 3x current regulation for downstream tripping/motor inrush management. Thermal damage curve (3-phase short) or fixed timer (2 sec for 1-Phase Short or 5 sec for 2-Phase short).

Engine data

- Starting battery voltage
- Engine speed
- Engine temperature
- Engine oil pressure
- Engine oil temperature
- Intake manifold temperature
- Coolant temperature
- Comprehensive Full Authority Engine (FAE) data (where applicable)

Lean Burn Natural Gas (LBNG) application parameters include:

- Safety shutoff valve status
- Valve proving status
- Downstream gas pressure
- Gas inlet pressure
- Gas mass flow rate
- Control valve position
- Gas outlet pressure
- Manifold pressure and temperature
- Throttle position
- Compressor outlet pressure
- Turbo speed
- Compressor bypass position
- Cylinder configuration (e.g., drive end and non-drive end configurations)
- Coolant pressure 1 and 2 as well as coolant temperature 1 and 2 for both HT/LT respectively
- Exhaust port temperature (up to 18 cylinders)
- Pre-filter oil pressure
- Exhaust back pressure
- Parent ECM internal temperature and isolated battery voltage
- Speed bias
- Child ECM internal temperature and isolated battery voltage
- Knock level, spark advance, and knock count (for up to 18 cylinders)
- Auxiliary supply disconnect status
- Engine heater status
- Coolant circulating pump status
- Lube oil priming pump status
- Lube oil status
- Oil heater status
- Derate authorization status
- Start system status
- Ventilator fan status
- Ventilation louvre status
- Radiator fan status
- DC PSU status
- Start inhibit/enable status and setup

Service adjustments – The HMI320 includes provisions for adjustment and calibration of genset control functions. Adjustments are protected by a password. Functions include:

- Engine speed governor adjustments
- Voltage regulation adjustments
- Cycle cranking
- Configurable fault set up
- Configurable input and output set up
- Meter calibration
- Paralleling setup
- Display language and units of measurement

Prime Mover Control

SAE-J1939 CAN interface to full authority ECMs (where applicable). Provides data transfer between genset and engine controller for control, metering and diagnostics.

12 V (DC) or 24 V (DC) nominal battery voltage is supported by PCC3300 for normal operation.

Temperature dependant prime mover governing dynamics: This function is supported enabling the engine to be responsive when warm and more stable when operating at lower temperature via providing control and modification over electronic governing parameters as a function of engine temperature.

Isochronous governing is provided in order to control prime mover speed within $\pm 0.25\%$ of nominal rated speed for any steady state load from no load to full load. During operation frequency drift should not exceed $\pm 0.5\%$ of nominal frequency given a 33°C (or 60°F) change in ambient temperature within an eight-hour period.

Droop electronic speed is governing capability is natively offered by PCC3300 to permit droop from 0% to 10% between no load to full load.

Remote start capability is built into the PCC3300 as the unit accepts a ground signal from remote devices to automatically command the starting of the generator set as well as the reaching of rated speed, voltage and frequency or otherwise run at idle speed until prime mover temperature is adequate. The presence of a remote start signal shall cause the PCC3300 to leave sleep mode and return to normal power mode. PCC3300 supports an option for delayed start or stop.

Remote Start Integrity: In compliance with NEC2017 Start Signal Integrity standard – NFPA70 Article 700.10(D)(3), the remote start circuit from ATS to PCC3300 is continuously monitored for signal disturbance due to broken, disconnected or shorted wires via a configurable input. Loss of signal integrity results in activation of a remote start signal.

Remote and local emergency stopping capability: PCC3300 accepts ground signal from a locally or remotely mounted emergency stop switch to cause the generator set to immediately shutdown. The generator set is prevented from either running or cranking with the emergency stop switch engaged. If PCC3300 is in sleep mode, then the activation of any emergency stop switch shall return PCC3300 to normal powered state along with the activation of the corresponding shutdown and run-prevention states.

Sleep mode: PowerCommand 3.3 supports a configurable low current draw state, which is design with consideration to the needs of prime applications or others application without a battery charger (in order to minimize battery current drain).

Automatic prime mover starting: Any generator set controlled by PCC3300 is capable of automatic starting achieved via either magnetic pickup or main alternator output frequency. PCC3300 additionally supports

configurable glow plug control where applicable.

Prime mover cycle cranking: PCC3300 supports configurable starting cycles and rest periods. Built in starter protection are incorporated to prevent the operator from specifying a starting sequence that may be damaging.

Configurable time delay functionality: PCC3300 supports time delayed generator set starting and stopping (for cooldown). Permissible time delays are as follows (noting a default setting is 0 seconds):

1. Start delay: 0 seconds to 300 seconds prior to starting after receiving a remote start signal.
2. Stop delay: 0 seconds to 600 seconds prior to shut down after receiving a signal to stop in normal operation modes.

Lean Burn Natural Gas application specific parameters

PCC3300 supports prime mover inhibiting in order to permit application-specific processes (i.e. Auxiliaries) to be started first.

Generator Control

PCC3300 performs both Genset voltage sensing and Genset voltage regulation as follows:

- Voltage sensing is integrated into PCC3300 via three phase line-to-line sensing that is compatible with shunt or PMG excitation systems
- Automatic voltage regulation is accomplished by using a three phase fully rectified input and has a FET output for good motor starting capability.

Major features of generator control include:

Digital output voltage regulation - Capable of regulating output voltage to within $\pm 1.0\%$ for any loads between no load and full load. Voltage drift will not exceed $\pm 1.5\%$ for a 40 °C (104 °F) change in temperature in an eight-hour period. On engine starting or sudden load acceptance, voltage is controlled to a maximum of 5% overshoot over nominal level.

The automatic voltage regulator feature can be disabled to allow the use of an external voltage regulator.

Droop voltage regulation - Control can be adjusted to droop from 0-10% from no load to full load.

Torque-matched V/Hz overload control - The voltage roll-off set point and rate of decay (i.e. the slope of the V/Hz curve) is adjustable in the control.

Fault current regulation - PowerCommand® will regulate the output current on any phase to a maximum of three times rated current under fault conditions for both single phase and three phase faults. In conjunction with a permanent magnet generator, it will provide three times rated current on all phases for motor starting and short circuit coordination purpose.

Cylinder Cut-off System (CCS): PCC 3300 supports Cylinder Cut-off System which is used to operate the engines on half bank at no load and light load conditions. CCS has below benefits on engine

performance- improved emission standards, improved fuel efficiency, reduced hydrocarbons, reduced white smoke, reduced wet stacking and higher exhaust temperature at light loads to improve turbocharger operations and catalyst performance.

Step Timing Control (STC): PCC 3300 supports STC functionality which is used to advance the engine timing of a hydro-mechanical engine during start up and light load conditions. During ADVANCED injection timing, it:

- Improves cold weather idling characteristics
- Reduces cold weather white smoke
- Improves light load fuel economy
- Reduces injector carboning

Paralleling Functions

First Start Sensor™ system – PowerCommand® provides a unique control function that positively prevents multiple gensets from simultaneously closing to an isolated bus under black start conditions. The First Start Sensor system is a communication system between the gensets that allows the gensets to work together to determine which genset is a system should be the first to close to the bus. The system includes an independent backup function, so that if the primary system is disabled the required functions are still performed.

Synchronizing – Control incorporates a digital synchronizing function to force the genset to match the frequency, phase and voltage of another source such as a utility grid. The synchronizer includes provisions to provide proper operation even with highly distorted bus voltage waveforms. The synchronizer can match other sources over a range of 60-110% of nominal voltage and -24 to +6 hertz. The synchronizer function is configurable for slip frequency synchronizing for applications requiring a known direction of power flow at instant of breaker closure or for applications where phase synchronization performance is otherwise inadequate.

Load sharing control – The genset control includes an integrated load sharing control system for both real (kW) and reactive (kVar) loads when the genset(s) are operating on an isolated bus. The control system determines kW load on the engine and kVar load on the alternator as a percent of genset capacity, and then regulates fuel and excitation systems to maintain system and genset at the same percent of load without impacting voltage or frequency regulation. The control can also be configured for operation in droop mode for kW or Kvar load sharing.

Load govern control– When PowerCommand® receives a signal indicating that the genset is paralleled with an infinite source such as a utility (mains) service, the genset will operate in load govern mode. In this mode the genset will synchronize and close to the bus, ramp to a pre-programmed kW and kVar load level, and then operate at that point. Control is adjustable for kW

values from 0-100% of standby rating, and 0.7-1.0 power factor (lagging). Default setting is 80% of standby and 1.0 power factor. The control includes inputs to allow independent control of kW and kVar load level by a remote device while in the load govern mode. The rate of load increase and decrease is also adjustable in the control. In addition, the control can be configured for operation in kW or kVAR load govern droop.

Load demand control – The control system includes the ability to respond to an external signal to initiate load demand operation. On command, the genset will ramp to no load, open its paralleling breaker, cool down, and shut down. On removal of the command, the genset will immediately start, synchronize, connect, and ramp to its share of the total load on the system.

Sync check – The sync check function decides when permissive conditions have been met to allow breaker closure. Adjustable criteria are: phase difference from 0.1-20 deg, frequency difference from 0.001-1.0 Hz, voltage difference from 0.5-10%, and a dwell time from 0.5-5.0 sec. Internally the sync check is used to perform closed transition operations. An external sync check output is also available.

Genset and utility/AC bus source AC metering – The control provides comprehensive three phase AC metering functions for both monitored sources, including: 3-phase voltage (L-L and L-N) and current, frequency, phase rotation, individual phase and totalized values of kW, kVAR, kVA and Power Factor; totalized positive and negative kW-hours, kVAR-hours, and kVA-hours. Three wire or four wire voltage connection with direct sensing of voltages to 600V, and up to 45kV with external transformers. Current sensing is accomplished with either 5 amp or 1 CT secondaries and with up to 10,000 amp primary. Maximum power readings are 32,000kW/kVAR/kVA.

Power transfer control – provides integrated automatic power transfer functions including source availability sensing, genset start/stop and transfer pair monitoring and control. The transfer/retransfer is configurable for open transition, fast closed transition (less than 100msec interconnect time), or soft closed transition (load ramping) sequences of operation. Utility source failure will automatically start genset and transfer load, retransferring when utility source returns. Test will start gensets and transfer load if test with load is enabled. Sensors and timers include:

Under voltage sensor: 3-phase L-N or L-L under voltage sensing adjustable for pickup from 85-100% of nominal. Dropout adjustable from 75-98% of pickup. Dropout delay adjustable from 0.1-30 sec.

Over voltage sensor: 3-phase L-N or L-L over voltage sensing adjustable for pickup from 95-99% of dropout. Dropout adjustable from 105-135% of nominal. Dropout delay adjustable from 0.5-120 sec. Standard configuration is disabled and is configurable to enabled in the field using the HMI or InPower service tools.

Over/Under frequency sensor: Center frequency adjustable from 45-65 Hz. Dropout bandwidth adjustable from 0.3-5% of center frequency beyond pickup bandwidth. Pickup bandwidth adjustable from 0.3-20% of center frequency. Field configurable to enable.

Loss of phase sensor: Detects out of range voltage phase angle relationship. Field configurable to enable.

Phase rotation sensor: Checks for valid phase rotation of source. Field configurable to enable.

Breaker tripped: If the breaker tripped input is active, the associated source will be considered as unavailable.

Timers: Control provides adjustable start delay from 0 - 300sec, stop delay from 0 - 800sec, transfer delay from 0-120sec, retransfer delay from 0-1800sec, programmed transition delay from 0-60sec, and maximum parallel time from 0-1800sec.

Negative Sequence Current Protection: PCC3300 supports this protection natively in order to determine if the generator is at any point was running subject to negative phase sequencing.

Breaker control – Utility and Genset breaker interfaces include separate relays for opening and closing breaker, as well as inputs for both 'a' and 'b' breaker position contacts and tripped status. Breaker diagnostics include Contact Failure, Fail to Close, Fail to Open, Fail to Disconnect, and Tripped. Upon breaker failure, appropriate control action is taken to maintain system integrity.

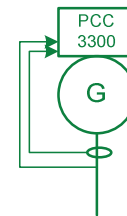
Exerciser clock –The exerciser clock (when enabled) allows the system to be operated at preset times in either test without load, test with load, or extended parallel mode. A Real Time Clock is built in. Up to 12 different programs can be set for day of week, time of day, duration, repeat interval, and mode. For example, a test with load for 1 hour every Tuesday at 2AM can be programmed. Up to 6 different exceptions can also be set up to block a program from running during a specific date and time period.

Extended paralleling – In extended paralleling mode (when enabled) the controller will start the genset and parallel to a utility source and then govern the real and reactive power output of the genset based on the desired control point. The control point for the real power (kW) can be configured for either the genset metering point ("Base Load") or the utility metering point ("Peak Shave"). The control point for the reactive power (kVAR or Power Factor) can also be independently configured for either the genset metering point or the utility metering point. This flexibility would allow base kW load from the genset while maintaining the utility power factor at a reasonable value to avoid

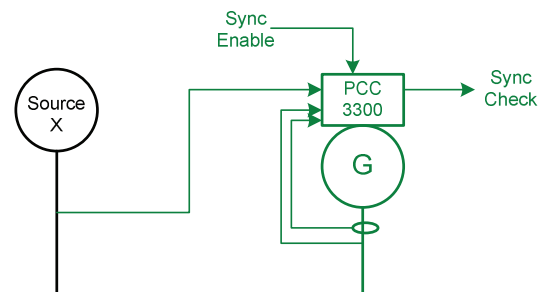
penalties due to low power factor. The System always operates within genset ratings. The control point can be changed while the system is in operation. Set points can be adjusted via hardwired analog input or adjusted through an operator panel display or service tool.

Application types – Controller is configured to operating in one of six possible application types. These topologies are often used in combinations in larger systems, with coordination of the controllers in the system either by external device or by interlocks provided in the control. Topologies that may be selected in the control include:

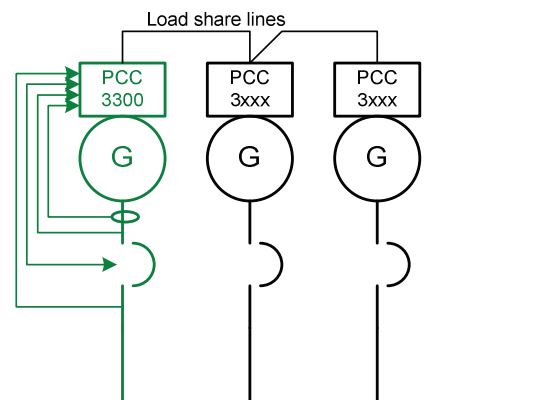
Standalone: Control provides monitoring, protection and control in a non-paralleling application.



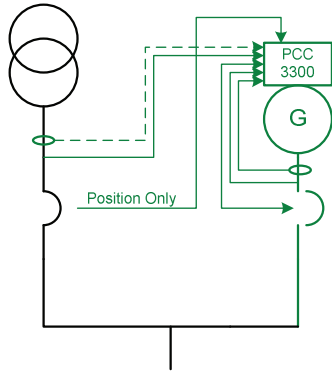
Synchronizer only: control will synchronize the genset to other source when commanded to either via a hardwired or Modbus driven input.



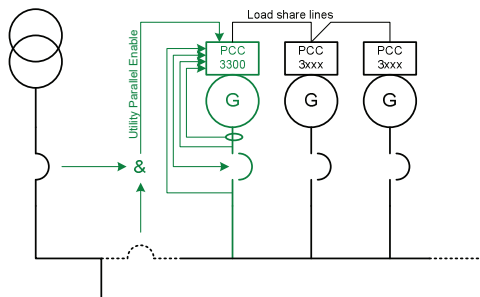
Isolated Bus: allows the genset to perform a dead bus closure or synchronize to the bus and isochronously share kW and kVAR loads with other gensets.



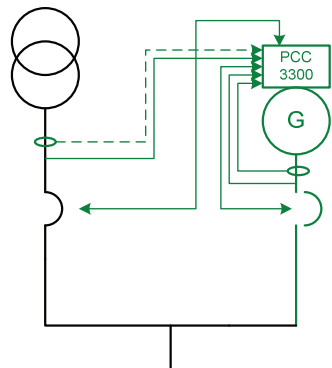
Utility Single: Control monitors one genset and utility. The control will automatically start and provide power to a load if the utility fails. The control will also resynchronize the genset back to the utility and provides extended paralleling capabilities.



Utility Multiple: Supports all functionality of Isolated Bus and provides extended paralleling to the utility. Extended paralleling load set points follow a constant setting; dynamically follow an analog input, Modbus register or HMI.

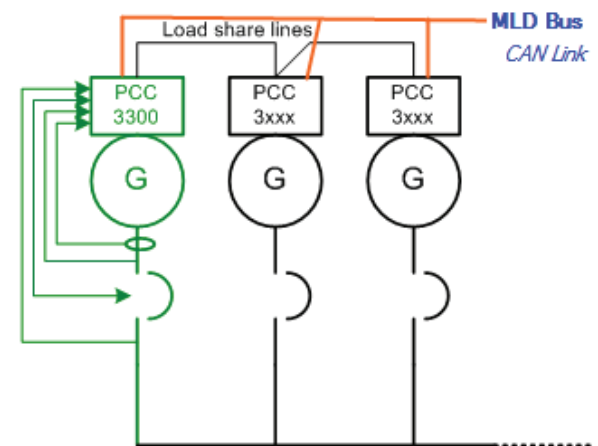
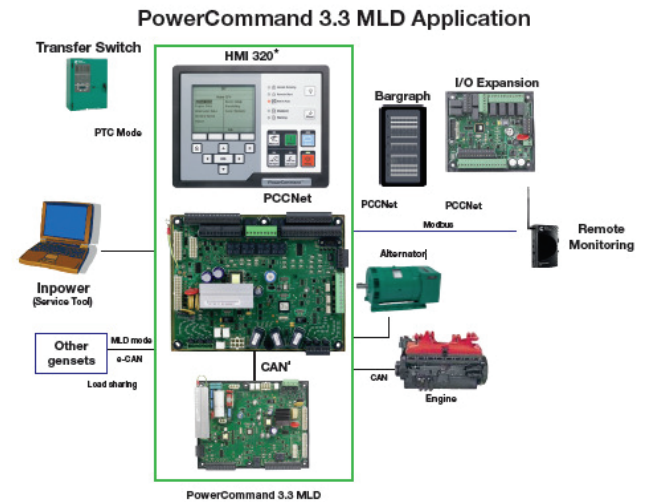


Power Transfer Control: Control operates a single genset/single utility transfer pair in open transition, fast closed transition, or soft closed transition. Extended paralleling functionality also provides base load and peak shave options.



Masterless Load Demand (Optional Feature):

PowerCommand® 3.3 with Masterless Load Demand (MLD) technology enables generator sets to start/stop automatically based on load demand. Masterless Load Demand-capable generators are equipped with an additional s-CAN network connection that allows sharing of information amongst paralleled generator sets. MLD has been designed for hassle-free installation, commissioning and operation. MLD functionality. Integrated on-board system logic provides the MLD topology control without the need for any additional system.



PCC3300 External Voltage and Frequency Biasing Inputs

PCC3300 supports externally driven voltage and frequency biasing capability in order to permit external paralleling (if intending to use this feature please contact your local distributor for further information).

Protective Functions

On operation of a protective function the control will indicate a fault by illuminating the appropriate status LED on the HMI, as well as display the fault code and fault description on the LCD. The nature of the fault and time of occurrence are logged in the control. The service manual and InPower service tool provide service keys and procedures based on the service codes provided. Protective functions include:

Battle short mode

When enabled and the *battle short* switch is active, the control will allow some shutdown faults to be bypassed. If a bypassed shutdown fault occurs, the fault code and description will still be annunciated, but the genset will not shutdown. This will be followed by a *fail to shutdown* fault. Emergency stop shutdowns and others that are critical for proper operation (or are handled by the engine ECM) are not bypassed. Please refer to the Control Application Guide or Manual for list of these faults.

Derate

The Derate function reduces output power of the genset in response to a fault condition. If a Derate command occurs while operating on an isolated bus, the control will issue commands to reduce the load on the genset via contact closures or Modbus. If a Derate command occurs while in utility parallel mode, the control will actively reduce power by lowering the base load kW to the derated target kW.

Configurable alarm and status inputs

The control accepts up to four alarm or status inputs (configurable contact closed to ground or open) to indicate a configurable (customer-specified) condition.

The control is programmable for warning, derate, shutdown, shutdown with cooldown or status indication and for labeling the input.

Emergency stop

Annunciated whenever either emergency stop signal is received from external switch.

General prime mover protection

Low and high battery voltage warning - Indicates status of battery charging system (failure) by continuously monitoring battery voltage.

Weak battery warning - The control system will test the battery each time the genset is signaled to start and indicate a warning if the battery indicates impending failure.

Low coolant level warning – Can be set up to be a warning or shutdown.

Low coolant temperature warning – Indicates that engine temperature may not be high enough for a 10 second start or proper load acceptance.

Fail to start (overcrank) shutdown - The control system will indicate a fault if the genset fails to start by the completion of the engine crank sequence.

Fail to crank shutdown - Control has signaled starter to crank engine but engine does not rotate.

Cranking lockout - The control will not allow the starter to attempt to engage or to crank the engine when the engine is rotating.

Fault simulation –The control in conjunction with InPower software, will accept commands to allow a technician to verify the proper operation of the control and its interface by simulating failure modes or by forcing the control to operate outside of its normal operating ranges. InPower also provides a complete list of faults and settings for the protective functions provided by the controller.

For Lean Burn Natural Gas Engine applications:

Off load running (protection) – This feature protects the engine in the event the genset is being called to go off load for too long.

Hydro Mechanical fuel system engine protection:

Overspeed shutdown – Default setting is 115% of nominal

Low lube oil pressure warning/shutdown – Level is preset (configurable with InPower or HMI) to match the capabilities of the engine used. Control includes time delays to prevent nuisance alarms.

High lube oil temperature warning/shutdown – Level is preset (configurable with InPower or HMI) to match the capabilities of the engine used. Control includes time delays to prevent nuisance alarms.

High engine temperature warning/shutdown – Level is preset (configurable with InPower or HMI) to match the capabilities of the engine used. Control includes time delays to prevent nuisance alarms.

Low coolant temperature warning – Indicates that engine temperature may not be high enough for a 10 second start or proper load acceptance.

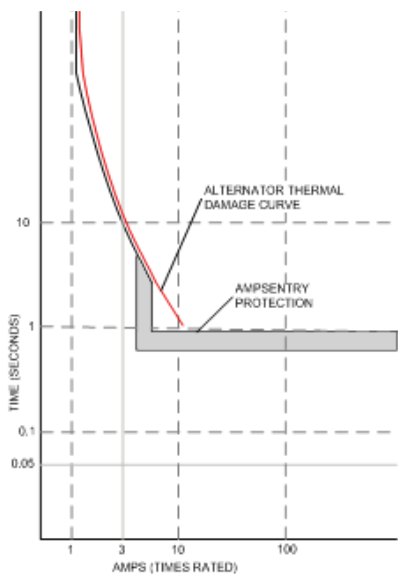
High intake manifold temperature shutdown – Level is preset (configurable with InPower or HMI) to match the capabilities of the engine used. Control includes time delays to prevent nuisance alarms.

Full authority electronic engine protection:

Engine fault detection is handled inside the engine ECM. Fault information is communicated via the SAE-J1939 data link for annunciation in the HMI.

Alternator Protection

AmpSentry protective relay - A comprehensive monitoring and control system integral to the PowerCommand® Control System that guards the electrical integrity of the alternator and power system by providing protection against a wide array of fault conditions in the genset or in the load. It also provides single and three phase fault current regulation (3x Current) so that downstream protective devices have the maximum current available to quickly clear fault conditions without subjecting the alternator to potentially catastrophic failure conditions. Thermal damage curve (3 phase short) or fixed timer (2sec for 1P short, 5sec for 2P short). See document R1053 for a full-size time over current curve. The control does not include protection required for interconnection to a utility (mains) service.



AmpSentry Maintenance Mode (AMM) - Instantaneous tripping, if AmpSentry Maintenance mode is active (50mS response to turn off AVR excitation/shutdown genset) for arc flash reduction when personnel are near genset.

High AC voltage shutdown (59) - Output voltage on any phase exceeds preset values. Time to trip is inversely proportional to amount above threshold. Values adjustable from 105-125% of nominal voltage, with time delay adjustable from 0.1-10 seconds. Default value is 110% for 10 seconds.

Low AC voltage shutdown (27) - Voltage on any phase has dropped below a preset value. Adjustable over a range of 50-95% of reference voltage, time delay 2-20 seconds. Default value is 85% for 10 seconds. Function tracks reference voltage. Control does not nuisance trip when voltage varies due to the control directing voltage to drop, such as during a V/Hz roll-off or synchronizing.

Under frequency shutdown (81 u) - Genset output frequency cannot be maintained. Settings are adjustable from 2-10 Hz below reference governor set point, for a 5-20 second time delay. Default: 6 Hz, 10 seconds. Under frequency protection is disabled when excitation is switched off, such as when engine is operating in idle speed mode.

Over frequency shutdown/warning (81o) - Genset is operating at a potentially damaging frequency level. Settings are adjustable from 2-10 Hz above nominal governor set point for a 1-20 second time delay. Default: 6 Hz, 20 seconds, disabled.

Overcurrent warning/shutdown (51) - Implementation of the thermal damage curve with instantaneous trip level calculated based on current transformer ratio and application power rating.

Loss of sensing voltage shutdown - Shutdown of genset will occur on loss of voltage sensing inputs to the control.

Field overload shutdown - Monitors field voltage to shutdown genset when a field overload condition occurs.

Over load (kW) warning - Provides a warning indication when engine is operating at a load level over a set point. Adjustment range: 80-140% of application rated kW, 0-120 second delay. Defaults: 105%, 60 seconds.

Reverse power shutdown (32) - Adjustment range: 5-20% of standby kW rating, delay 1-15 seconds. Default: 10%, 3 seconds.

Reverse Var shutdown (40) - Shutdown level is adjustable: 15-50% of rated Var output, delay 10-60 seconds. Default: 20%, 10 seconds.

Short circuit protection - Output current on any phase is more than 175% of rating and approaching the thermal damage point of the alternator. Control includes algorithms to protect alternator from repeated over current conditions over a short period of time.

Negative sequence overcurrent warning (46) - Control protects the generator from damage due to excessive imbalances in the three phase load currents and/or power factors.

Custom overcurrent warning/shutdown (51) - Control provides the ability to have a custom time overcurrent protection curve in addition to the AmpSentry protective relay function.

Ground fault overcurrent (51G) - Control detects a ground fault either by an external ground fault relay via a contact input or the control can measure the ground current from an external current transformer. Associated time delays and thresholds are adjustable via InPower or HMI.

Paralleling Protection

Breaker fail to close Warning: When the control signals a circuit breaker to close, it will monitor the breaker auxiliary contacts and verify that the breaker has closed. If the control does not sense a breaker closure within an adjustable time period after the close signal, the fail to close warning will be initiated.

Breaker fail to open warning: The control system monitors the operation of breakers that have been signaled to open. If the breaker does not open within an adjustable time delay, a Breaker Fail to Open warning is initiated.

Breaker position contact warning: The controller will monitor both 'a' and 'b' position contacts from the breaker. If the contacts disagree as to the breaker position, the breaker position contact warning will be initiated.

Breaker tripped warning: The control accepts inputs to monitor breaker trip / bell alarm contact and will initiate a breaker tripped warning if it should activate.

Fail to disconnect warning: In the controller is unable to open either breaker, a fail to disconnect warning is initiated. Typically, this would be mapped to a configurable output, allowing an external device to trip a breaker.

Fail to synchronize warning: Indicates that the genset could not be brought to synchronization with the bus. Configurable for adjustable time delay of 10 -900 seconds, 120 default.

Phase sequence sensing warning: Verifies that the genset phase sequence matches the bus prior to allowing the paralleling breaker to close.

Maximum parallel time warning (power transfer control mode only): During closed transition load transfers, control independently monitors paralleled time. If time is exceeded, warning is initiated and genset is disconnected.

Bus or genset PT input calibration warning: The control system monitors the sensed voltage from the bus and genset output voltage potential transformers. When the paralleling breaker is closed, it will indicate a warning condition if the read values are different.

Field Control Interface

Input signals to the PowerCommand® control include:

- Coolant level (where applicable)
 - Fuel level (where applicable)
 - Remote emergency stop
 - Remote fault reset
 - Remote start
 - Rupture basin
 - Start type signal
 - Battle short
 - Load demand stop
 - Synchronize enable
 - Genset circuit breaker inhibit
 - Utility circuit breaker inhibit
 - Single mode verify
 - Transfer inhibit – prevent transfer to utility (in power transfer control mode)
 - Retransfer inhibit – prevent retransfer to genset (in power transfer control mode)
 - kW and kVAR load setpoints
- Configurable inputs - Control includes (4) input signals from customer discrete devices that are configurable for warning, shutdown or status indication, as well as message displayed

Input signals for Lean Burn Natural Gas Engine applications:

- Gearbox oil pressure/temperature protection
- Fire fault
- Earth fault support as a discrete input via an appropriate secondary detection device
- Differential fault
- DC power supply fault
- Genset Interface Box (GIB) isolator open fault
- Start inhibit/enable (x3)
- Radiator fan trip
- Ventilator fan trip
- Ventilation louvers closed
- Start system trip
- Alternator heater trip
- Alternator heater status
- Alternator winding temperature (PT100 RTDx3)
- Alternator drive end bearing temperature (PT100 RTD)
- Alternator non-drive end bearing temperature (PT100 RTD)

Output signals from the PowerCommand® control include:

- Load dump signal: Operates when the genset is in an overload condition.
- Delayed off signal: Time delay-based output which will continue to remain active after the control has removed the run command. Adjustment range: 0 - 120 seconds. Default: 0 seconds.

- Configurable relay outputs: Control includes (4) relay output contacts (3 A, 30VDC). These outputs can be configured to activate on any control warning or shutdown fault as well as ready to load, not in auto, common alarm, common warning and common shutdown.
- Ready to load (genset running) signal: Operates when the genset has reached 90% of rated speed and voltage and latches until genset is switched to off or idle mode.
- Paralleling circuit breaker relays outputs: Control includes (4) relay output contacts (3.5A, 30 VDC) for opening and closing of the genset and utility breakers.

Output Signals for Lean Burn Natural Gas Engine applications:

- Start inhibit/enable event
- Emergency stop event
- Ventilator fan run control
- Louvre control
- Radiator fan control
- Alternator heater control
- Engine at idle speed event

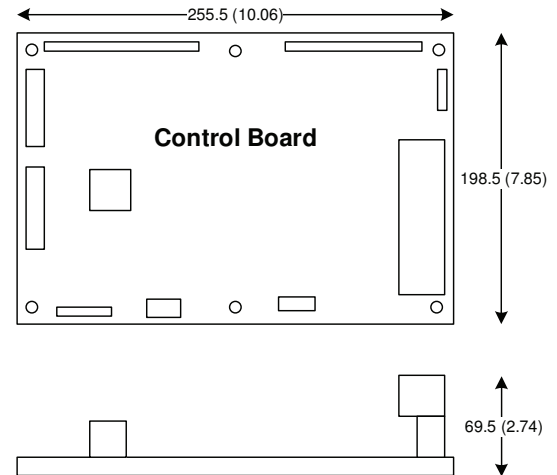
Communications connections include:

- PC tool interface: This RS-485 communication port allows the control to communicate with a personal computer running InPower software.
- Modbus RS-485 port: Allows the control to communicate with external devices such as PLCs using Modbus protocol.

Note - An RS-232 or USB to RS-485 converter is required for communication between PC and control.

- Networking: This RS-485 communication port allows connection from the control to the other Cummins Power Generation products.

Mechanical Drawing



PowerCommand® Human Machine Interface HMI320



Description

This control system includes an intuitive operator interface panel that allows for complete genset control as well as system metering, fault annunciation, configuration and diagnostics. The interface includes five genset status LED lamps with both internationally accepted symbols and English text to comply with customer's needs. The interface also includes an LED backlit LCD display with tactile feel soft-switches for easy operation and screen navigation. It is configurable for units of measurement and has adjustable screen contrast and brightness.

The *run/off/auto* switch function is integrated into the interface panel.

All data on the control can be viewed by scrolling through screens with the navigation keys. The control displays the current active fault and a time-ordered history of the five previous faults.

Features:

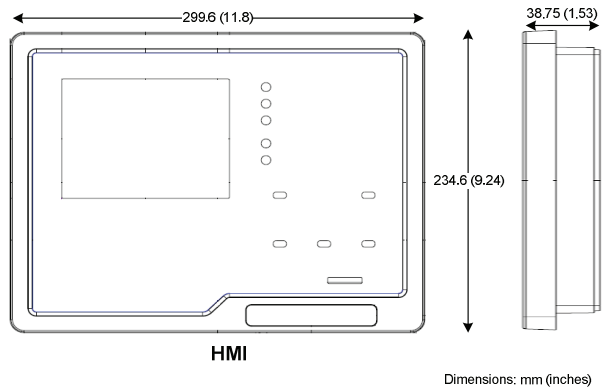
- LED indicating lamps
 - genset running
 - remote start
 - not in auto
 - shutdown
 - warning
 - auto
 - manual and stop
 - Circuit breaker open (if equipped)
 - Circuit breaker closed (if equipped)
- 320 x 240 pixels graphic LED backlight LCD.
- Four tactile feel membrane switches for LCD defined operation. The functions of these switches are defined dynamically on the LCD.
- Seven tactile feel membrane switches dedicated screen navigation buttons for up, down, left, right, ok, home and cancel.

- Six tactile feel membrane switches dedicated to control for auto, stop, manual, manual start, fault reset and lamp test/panel lamps.
- Two tactile feel membrane switches dedicated to control of circuit breaker (where applicable).
- Allows for complete genset control setup.
- Certifications: Suitable for use on gensets that are designed, manufactured, tested and certified to relevant UL, NFPA, ISO, IEC, Mil Std. and CE standards.
- Languages supported: English, Spanish, French, German, Italian, Greek, Portuguese, Finnish, Norwegian, Danish, Russian (Cyrillic), Chinese, Hungarian, Japanese, Polish, Korean, Romanian, Brazilian Portuguese, Turkish, Dutch, and Czech

Communications connections include:

- PC tool interface - This RS-485 communication port allows the HMI to communicate with a personal computer running InPower.
- This RS-485 communication port allows the HMI to communicate with the main control board.

Mechanical Drawing



Software

InPower (beyond 6.5 version) is a PC-based software service tool that is designed to directly communicate to PowerCommand® gensets and transfer switches, to facilitate service and monitoring of these products.

Environment

The control is designed for proper operation without recalibration in ambient temperatures from -40 °C (-40 °F) to +70 °C (158 °F), and for storage from -55 °C (-67 °F) to +80 °C (176 °F). Control will operate with humidity up to 95%, non-condensing.

The HMI is designed for proper operation in ambient temperatures from -20 °C (-4 °F) to +70 °C (158 °F), and for storage from -30 °C (-22 °F) to +80 °C (176 °F).

The control board is fully encapsulated to provide superior resistance to dust and moisture. Display panel has a single membrane surface, which is impervious to effects of dust, moisture, oil and exhaust fumes. This panel uses a sealed membrane to provide long reliable service life in harsh environments.

The control system is specifically designed and tested for resistance to RFI/EMI and to resist effects of vibration to provide a long reliable life when mounted on a genset. The control includes transient voltage surge suppression to provide compliance to referenced standards.

Certifications

PowerCommand® meets or exceeds the requirements of the following codes and standards:

- NFPA 110 for level 1 and 2 systems.
- ISO 8528-4: 1993 compliance, controls and switchgear.
- CE marking: The control system is suitable for use on generator sets to be CE-marked.
- EN 50081-1,2 residential/light industrial emissions or industrial emissions.
- EN 50082-1,2 residential/light industrial or industrial susceptibility.
- ISO 7637-2, level 2; DC supply surge voltage test.
- Mil Std 202C, Method 101 and ASTM B117: Salt fog test.
- UL 6200 recognized, suitable for use on UL 2200 Listed generator sets.
- CSA C282-M1999 compliance
- CSA 22.2 No. 14 M91 industrial controls.
- PowerCommand® control systems and generator sets are designed and manufactured in ISO 9001 certified facilities.
- ROHS (Restriction of Hazardous substance) complaint both for HMI 320 & PCC3300v2.

Reference Documents

Please refer to the following reference documents available in the PowerSuite library:

- PowerCommand™ 3.3. Application Guide
- T-037: PowerCommand Control Application Manual (ANSI Protective Functions)
- T-040: PowerCommand 3.3 Paralleling Application Guide

Please refer to the following reference documents available on Cummins Quickserve:

- Service Manuals for PC3.3 (non-MLD) and PC3.3 (MLD)
- Modbus Register Mapping

Warranty

All components and subsystems are covered by an express limited one-year warranty. Other optional and extended factory warranties and local distributor maintenance agreements are available.





Alternator data sheet

Frame size: **HC6J**

Characteristics								
Weights:	Wound stator assembly:	2442 lb			1100 kg			
	Rotor assembly:	2109 lb			950 kg			
	Complete alternator:	4984 lb			2245 kg			
Maximum speed:		2250 rpm						
Excitation current:	Full load:	2.5 Amps						
	No load:	0.5 Amps						
Insulation system:	Class H throughout							
3 Ø Ratings	(0.8 power factor)	60 Hz				50 Hz		
(Based on specific temperature rise at 40° C ambient temperature)		110/190* <u>220/380</u>	120/208* <u>240/416</u>	139/240* <u>277/480</u>	<u>347/600</u>	110/190* <u>220/380</u>	120/208* <u>240/415</u>	127/220* <u>254/440</u>
150° C rise ratings	kW	880	965	1080	1080	848	848	848
	kVA	1100	1206	1350	1350	1060	1060	1060
125° C rise ratings	kW	840	920	1040	1040	800	800	800
	kVA	1050	1150	1300	1300	1000	1000	1000
105° C rise ratings	kW	775	850	950	950	720	720	720
	kVA	969	1063	1188	1188	900	900	900
80° C rise ratings	kW	675	740	828	828	640	640	640
	kVA	844	925	1035	1035	800	800	800
Reactances	(per unit ± 10%)	110/190* <u>220/380</u>	120/208* <u>240/416</u>	139/240* <u>277/480</u>	<u>347/600</u>	110/190* <u>220/380</u>	120/208* <u>240/415</u>	127/220* <u>254/440</u>
(Based on full load at 125° C rise rating)								
Synchronous		3.71	3.39	2.88	2.88	3.03	2.54	2.26
Transient		0.28	0.26	0.22	0.22	0.26	0.21	0.19
Subtransient		0.20	0.19	0.16	0.16	0.18	0.15	0.13
Negative sequence		0.26	0.23	0.20	0.20	0.22	0.18	0.16
Zero sequence		0.03	0.03	0.02	0.02	0.03	0.02	0.02
Motor starting		<u>Broad range</u>			<u>600</u>	<u>Broad range</u>		
Maximum kVA (90% sustained voltage)		3866			3866	2625		
Time constants		<u>Broad range</u>			<u>600</u>	<u>Broad range</u>		
(sec)								
Transient		0.185			0.185	0.185		
Subtransient		0.025			0.025	0.025		
Open circuit		3.030			3.030	3.030		
DC		0.046			0.046	0.046		
Windings	(@ 20° C)	<u>Broad range</u>			<u>600</u>	<u>Broad range</u>		
Stator resistance (Ohms per phase)		0.0048			0.0060	0.0048		
Rotor resistance (Ohms)		1.6600			1.6600	1.6600		
Number of leads		6 (12 Optional)			6	6 (12 optional)		

* 12 lead reconnectable option is required to obtain low (parallel wye) voltages.



Prototype Test Supported Emergency/Standby Generator Sets Certification

Cummins Power Generation certifies that its commercial generator sets bearing the Prototype Test Supported (PTS) seal have been subjected to a design and development process that includes extensive prototype testing and evaluation. A PTS production model is engineered and manufactured according to documentation developed through comprehensive research, design and design verification.

Design verification is based on tests of preproduction prototype models manufactured specifically for prototype test purposes and not sold as new equipment. To be certified as a PTS model, the generator set must satisfy these prerequisites:

DESIGN - The PTS certified generator set must be designed specifically for emergency/standby applications that require high reliability and rapid response.

PROTOTYPE TESTING - Design suitability of the PTS certified generator set must be proven by tests on preproduction prototype models. The prototype test program is intended to:

1. Confirm the engine and generator have reserve capacity beyond rating to minimize the potential of damage or shutdown during steady state or transient loading conditions, including momentary overloads.
2. Demonstrate generator set, controls and accessories capability to perform reliably and compatibly in service during disturbances common in actual load circuits.
3. Verify the integrity of the generator and excitation system insulation systems and electrical components to withstand heating under rated load and transient overcurrent conditions.
4. Evaluate generator set mechanical and electrical strength to perform without damage during abnormal operating conditions, such as short circuits or out-of-phase paralleling. While operating at rated load, the generator set must be subjected to several 3-phase short circuits of 20 second duration. After the tests, the generator set is inspected to verify that no electrical or mechanical damage was incurred by any components.
5. Determine by endurance testing that no resonance conditions exist in the generator set or accessories that will cause premature failure of components on production units.
6. Investigate and identify failure modes to minimize the risk of any single component failure or human error that could lead to lack of essential electrical supply.
7. Provide a margin of safety, by actual trials, between the generator set component design and protection systems so that the components are not damaged before the protective devices activate a shutdown.

DOCUMENTATION AND SOFTWARE - The PTS certified generator set must be documented in a single drawing package with all components identified with Cummins Power Generation part numbers. A PTS test certificate must be created for each PTS generator set certifying the PTS testing performed.

QUALITY ASSURANCE - Engineering drawings, specifications and test requirements for a PTS certified generator set must be classified by components and assembly quality characteristics. A component and process inspection and test plan must be developed and maintained to measure product conformance to documentation requirements.

PRODUCTION MODEL TESTING - PTS certified generator sets must be subjected to complete production tests that demonstrate conformance to specifications at all rated conditions, including start-up, full load pickup and a performance run at full rated load and power factor.



Prototype Test Support (PTS) 60 Hz test summary



Generator set models	Representative prototype
750DQFAA	Model: 1000DQFAD
800DQFAB	Alternator: HC6K
900DQFAC	Engine: QST30-G5 NR2

The following summarizes prototype testing conducted on the designated representative prototype of the specified models. This testing is conducted to verify the complete generator set electrical and mechanical design integrity. Prototype testing is conducted only on generator sets not sold as new equipment.

Maximum surge power: 1055 kW
The generator set was evaluated to determine the stated maximum surge power.

Torsional analysis and testing:
The generator set was tested to verify that the design is not subjected to harmful torsional stresses. A spectrum analysis of the transducer output was conducted over the speed range of 1200 to 2000 RPM.

Cooling system: 50 °C ambient
0.5 in H₂O restriction
The cooling system was tested to determine ambient temperature and static restriction capabilities. The test was performed at full rated load in elevated ambient temperature under stated static restriction conditions.

Electrical and mechanical strength:
The generator set was tested to several single phase and three phase faults to verify that the generator can safely withstand the forces associated with short circuit conditions. The generator set was capable of producing full rated output at the conclusion of the testing.

Steady state performance:
The generator set was tested to verify steady state operating performance was within the specified maximum limits.

Voltage regulation: ± 0.50%
Random voltage variation: ± 0.50%
Frequency regulation: ± 0.25%
Random frequency variation: ± 0.25%

Transient performance:
The generator set was tested with the standard alternator to verify single step loading capability as required by NFPA 110. Voltage and frequency response on load: addition and rejection were evaluated. The following results were recorded at 0.8 power factor:

Full load acceptance:

Voltage dip:	35.9%
Recovery time:	4.5 seconds
Frequency dip:	11.4%
Recovery time:	5.0 seconds

Full load rejection:

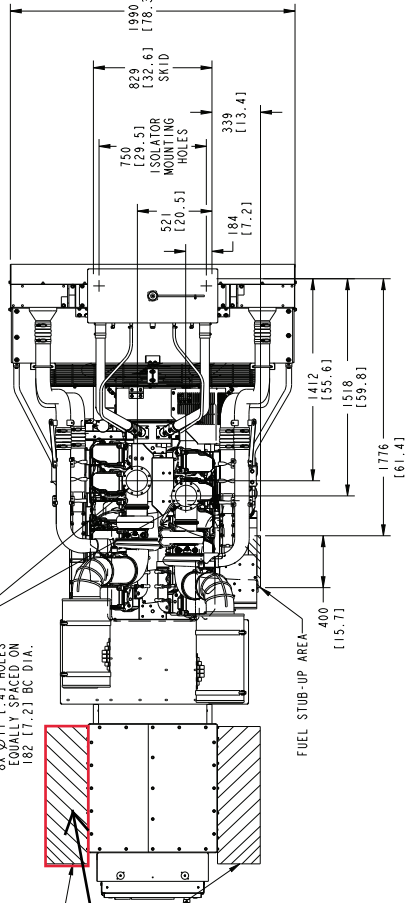
Voltage rise:	25.7%
Recovery time:	1.8 seconds
Frequency rise:	7.8%
Recovery time:	3.3 seconds

Harmonic analysis:
(per MIL-STD-705B, Method 601.4)

Harmonic	<u>Line to Line</u>		<u>Line to Neutral</u>	
	<u>No load</u>	<u>Full load</u>	<u>No load</u>	<u>Full load</u>
3	0.052	0.04	0.144	0.092
5	0.128	1.36	0.058	1.32
7	1.0	0.196	1.0	0.19
9	0.012	0.034	0.033	0.066
11	0.985	0.84	1.01	0.83
13	0.158	0.32	0.12	0.29
15	0.0	0.005	0.025	0.022

REV.	DATE	BY	CHKD.	DESCRIPTION
ECO-179470	D	J. MARSHALL	J. MARSHALL	INITIAL DESIGN

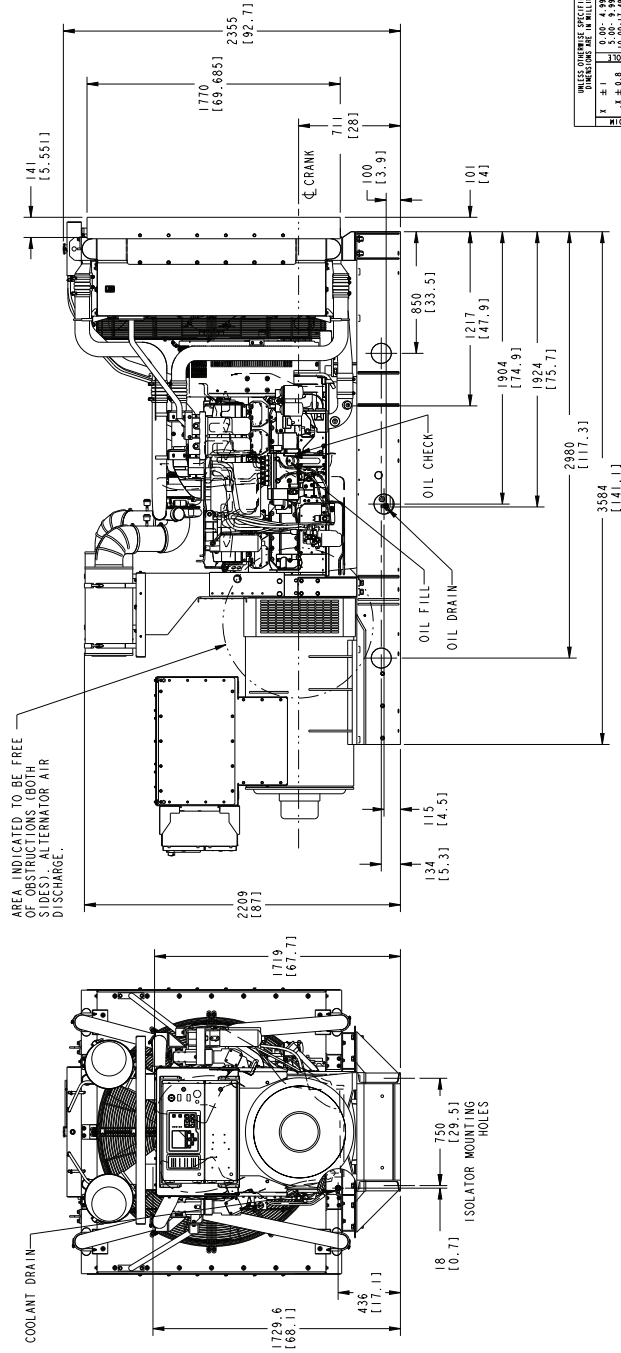
EXHAUST OUTLETS
 149 ID X 203 OD
 15.8 X 8.0
 8X Ø11 (4) HOLES
 EQUALLY SPACED ON
 102 (7.2) OC DIA.



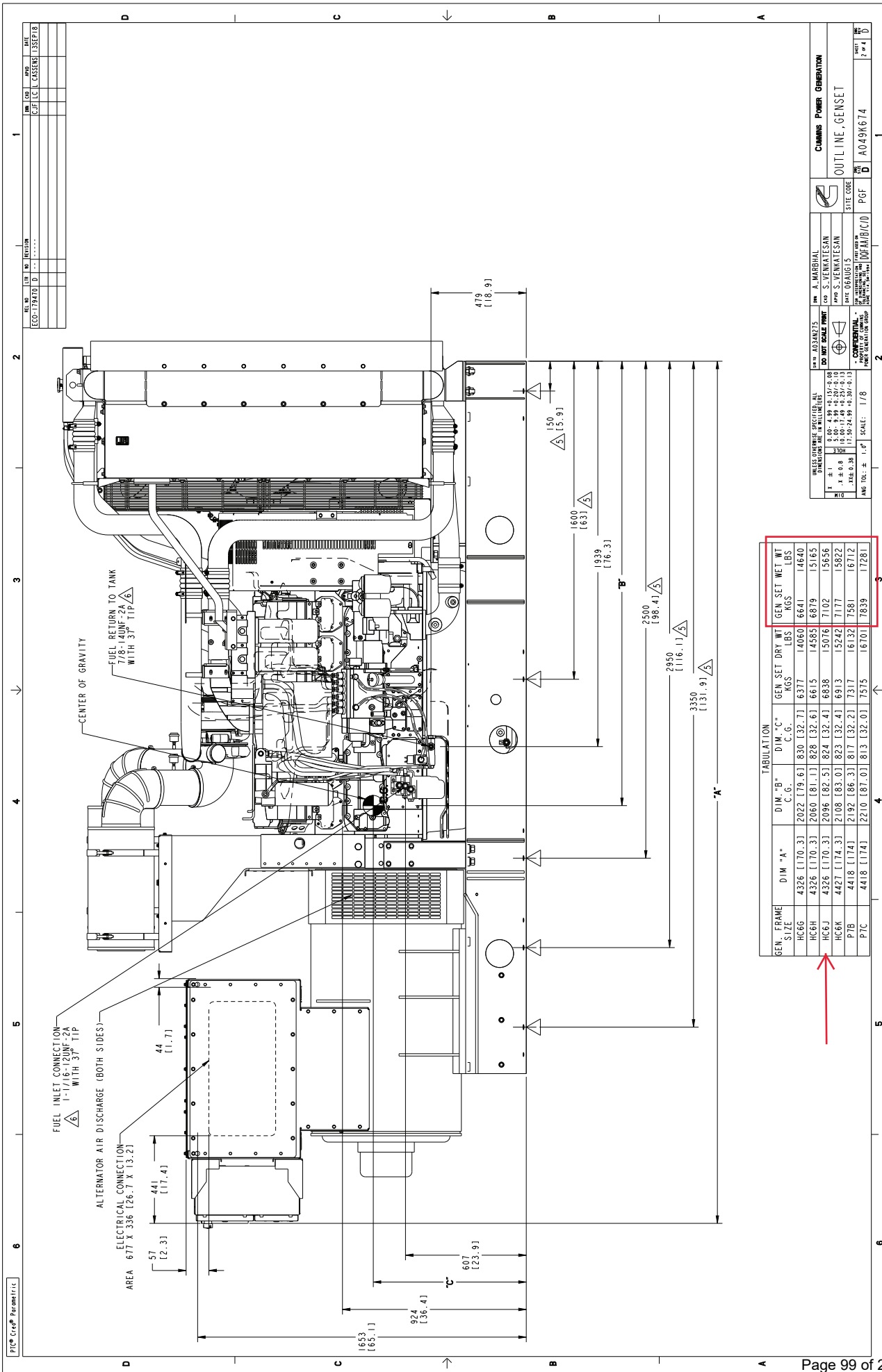
1600 amp breaker

- NOTES:
1. ALL DIMENSIONS ARE REFERENCE, UNLESS SPECIFICALLY TOLERANCED.
 2. DIMENSIONS SHOWN IN () ARE INCHES.
 3. REFER TO CIRCUIT BREAKER OUTLINE DRAWING FOR ELECTRICAL STUB-UP AREA FOR SPECIFIC BREAKERS. FOR ENTRANCE BOX APPLICATIONS, SEE APPLICABLE ENTRANCE BOX OUTLINE DRAWING.
 4. 25 (1) DIA HOLES MARKED BY \triangle FOR 10 POINT ISOLATION MOUNTING.
 5. FUEL IN HOSE (Ø 75) X 2009 (179.1) LONG WITH 3/4-14 NPTF EXTERNAL THREAD FITTING. FUEL OUT HOSE (Ø 50) X 1270 (150.0) LONG WITH 3/4-14 NPTF EXTERNAL THREAD FITTING.
 6. TERMINALS WILL ACCOMMODATE STANDARD NEMA AND IEC 2-HOLE LUGS.
 7. TERMINALS WILL ACCOMMODATE UP TO 10-750 MCM LUGS.
 8. TERMINALS WILL ACCOMMODATE UP TO 6-350 CMC LUGS OR 4-500 MCM LUGS.
 9. \triangle (NOTE REMOVED)

AREA INDICATED TO BE FREE OF OBSTRUCTIONS (BOTH SIDES). ALTERNATOR AIR DISCHARGE.



UNLESS OTHERWISE SPECIFIED, ALL DIMENSIONS ARE IN MILLIMETERS		CUMMINS POWER GENERATION	
DESIGN	ECO-179470	DESIGN	ECO-179470
DATE	08/10/15	DATE	08/10/15
BY	J. MARSHALL	BY	J. MARSHALL
CHKD.	J. MARSHALL	CHKD.	J. MARSHALL
APP'D.	S. TENKATESAN	APP'D.	S. TENKATESAN
REV'D.	S. TENKATESAN	REV'D.	S. TENKATESAN
SCALE:	1/16	SCALE:	1/16
ANG. TOL.:	± 1.0°	ANG. TOL.:	± 1.0°
SITE CODE: PGF		SITE CODE: PGF	
PART NAME: OUTLINE, GENSET		PART NAME: OUTLINE, GENSET	
DRAWING NO: A049K674		DRAWING NO: A049K674	
REV: 1		REV: 1	



GEN. FRAME SIZE	DIM "A"	DIM "B"	DIM "C"	DIM "C"	GEN SET DRY WT	GEN SET NET WT
	C.G.	C.G.	C.G.	C.G.	LBS	KGS
HC6G	4326 [1170.31]	2022 [79.61]	830 [32.71]	6377	14060 [6841]	14640
HC6H	4326 [1170.31]	2060 [81.11]	828 [32.61]	6615	14585 [6879]	15165
HC6J	4326 [1170.31]	2096 [82.51]	824 [32.41]	6638	15016 [7102]	15656
HC6K	4427 [1174.31]	2108 [83.01]	823 [32.41]	6913	15242 [7177]	15822
P7B	4418 [1174]	2182 [86.31]	817 [32.21]	7317	16132 [7581]	16712
PTC	4418 [1174]	2210 [87.01]	813 [32.01]	7515	16701 [7839]	17281

TABULATION

UNLESS OTHERWISE SPECIFIED ALL DIMENSIONS ARE IN MILLIMETERS (IN PARENTHESES ARE DIMENSIONS IN INCHES)

SCALE: 1/8" = 1'-0"

DATE: 08/10/15

DESIGNED BY: J. MARSHALL

CHECKED BY: S. TENKATESAN

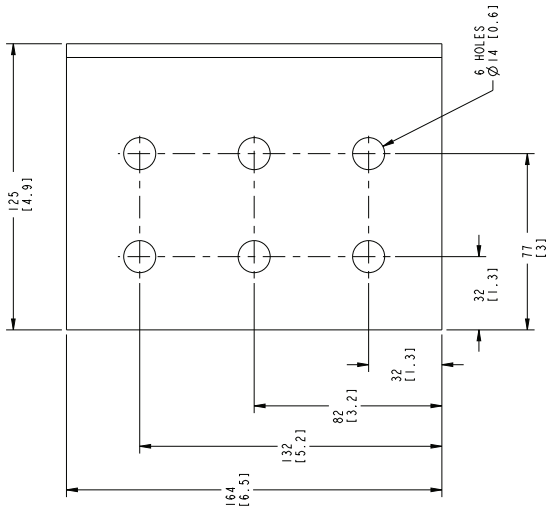
APPROVED BY: S. TENKATESAN

PROJECT: A049K674

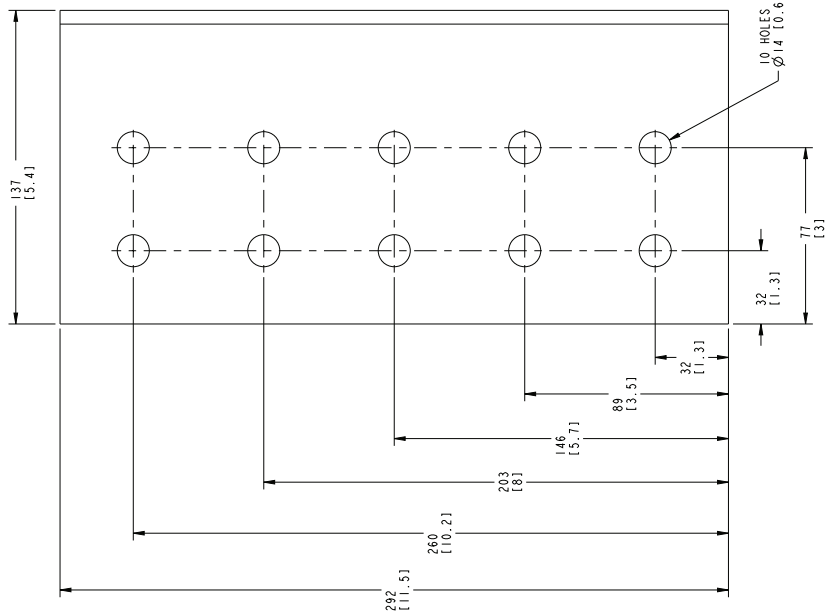
SHEET: 2 OF 2

REV	DATE	BY	CHK	APP
1	15/07/15	CSB	CSB	
2	02/08/15			
3	02/08/15			
4	02/08/15			
5	02/08/15			
6	02/08/15			

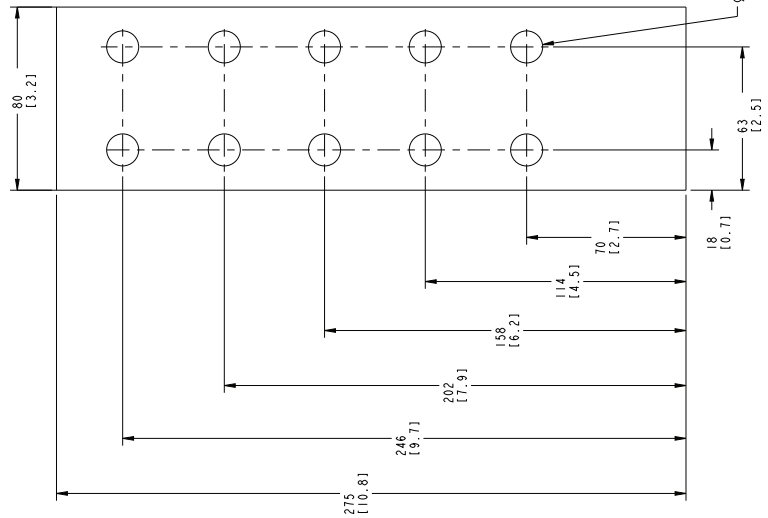
GENERATOR OUTPUT TERMINALS
(FOR NON-RECONNECTABLE HC6 ALTERNATORS)



GENERATOR OUTPUT TERMINALS
(FOR RECONNECTABLE HC6)



GENERATOR OUTPUT TERMINALS
(FOR NON-RECONNECTABLE P7)



UNLESS OTHERWISE SPECIFIED ALL DIMENSIONS ARE IN MILLIMETERS		DESIGNED BY: A. MARSHALL	CUMMINS POWER GENERATION
SCALE: 1/16	DATE: 02/08/15	DESIGNED BY: S. TENKATESAN	OUTLINE, GENSET
SITE CODE: PGF		DATE: 02/08/15	PGF
ANG: 100. ± 1.0		DATE: 02/08/15	PGF
ANG: 100. ± 1.0		DATE: 02/08/15	PGF
ANG: 100. ± 1.0		DATE: 02/08/15	PGF
ANG: 100. ± 1.0		DATE: 02/08/15	PGF

Circuit Breakers



Description

This data sheet provides circuit breaker manufacturer part numbers and specifications. The circuit breaker box description is the rating of that breaker box installation on a Cummins® generator. Please refer to the website of the circuit breaker manufacturer for breaker specific ratings and technical information.

Applicable Models

Engine	Models			
QSK23-G7	DQCA	DQCB	DQCC	
QST30-G5	DQFAA	DQFAB	DQFAC	DQFAD
QST30-G17	DQFAH			
QSK50-G5	DQGAE	DQGAF		
QSK50-G4	DQGAA	DQGAB		
QSK50-G8	DQGAS			
QSK60-G6	DQKAA	DQKAB	DQKAD	DQKAE
QSK60-G14	DQKAF			
QSK60-G17	DQKAM			

Instructions

1. Locate the circuit breaker feature code or part number and use the charts below to find the corresponding manufacturer circuit breaker catalog number.
2. Use the first letter of the circuit breaker catalog number to determine the "frame" of the breaker. If the first letter is an "N", use the second letter. Then follow the corresponding website link from the table below to find the breaker catalog number description.

Please refer to the catalog numbering systems page, which is given in the chart, to understand the nomenclature of the catalog number.

Frame	Catalog Name*	Catalog Number description pages
P and R	0612CT0101 http://www.schneiderelectric.us/en/download/document/0612CT0101/	16-17
L	0611CT1001 http://www.schneiderelectric.us/en/download/document/0611CT1001/	8-9
MasterPact NT/NW	http://www.schneider-electric.us/en/faqs/FA231180/	Please refer to PLS007 Rev 25

*The following link may also be used to search specifically by the breaker part number or for the catalog name listed above.

<http://products.schneider-electric.us/technical-library/>

3. Search the catalog by using the first 3 letters of the breaker catalog number and the first 5 numbers to find information such as trip curves, accessories, and dimensional details regarding the circuit breaker.

*If the catalog number starts with "N", skip the N and begin your search with the second letter.

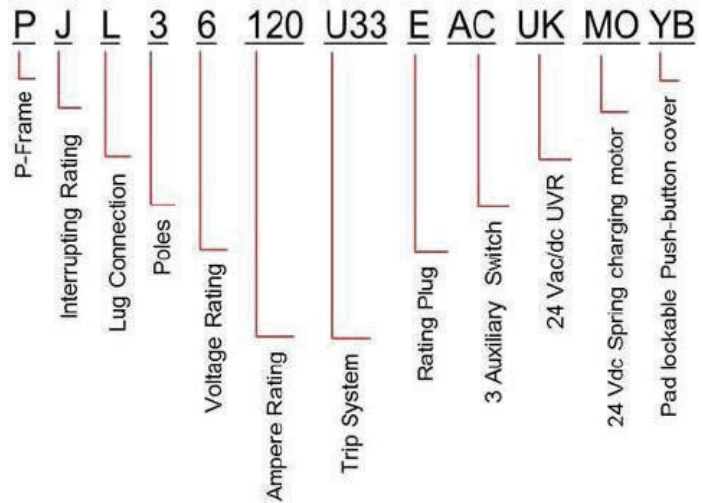
*If the first 3 letters are "PJP," the search will not work. You will need to start with just "PJ" and use the description pages to obtain the information you are looking for on the "PJP."

Example

After finding your circuit breaker catalog number to be "PJL36120U33EACUKMOYB," navigate to the P-frame catalog by using the link provided.

Look at pages 16-17 of the pdf catalog to find the nomenclature of the breaker.

Search the P-frame spec sheet using the search "PJL36120."



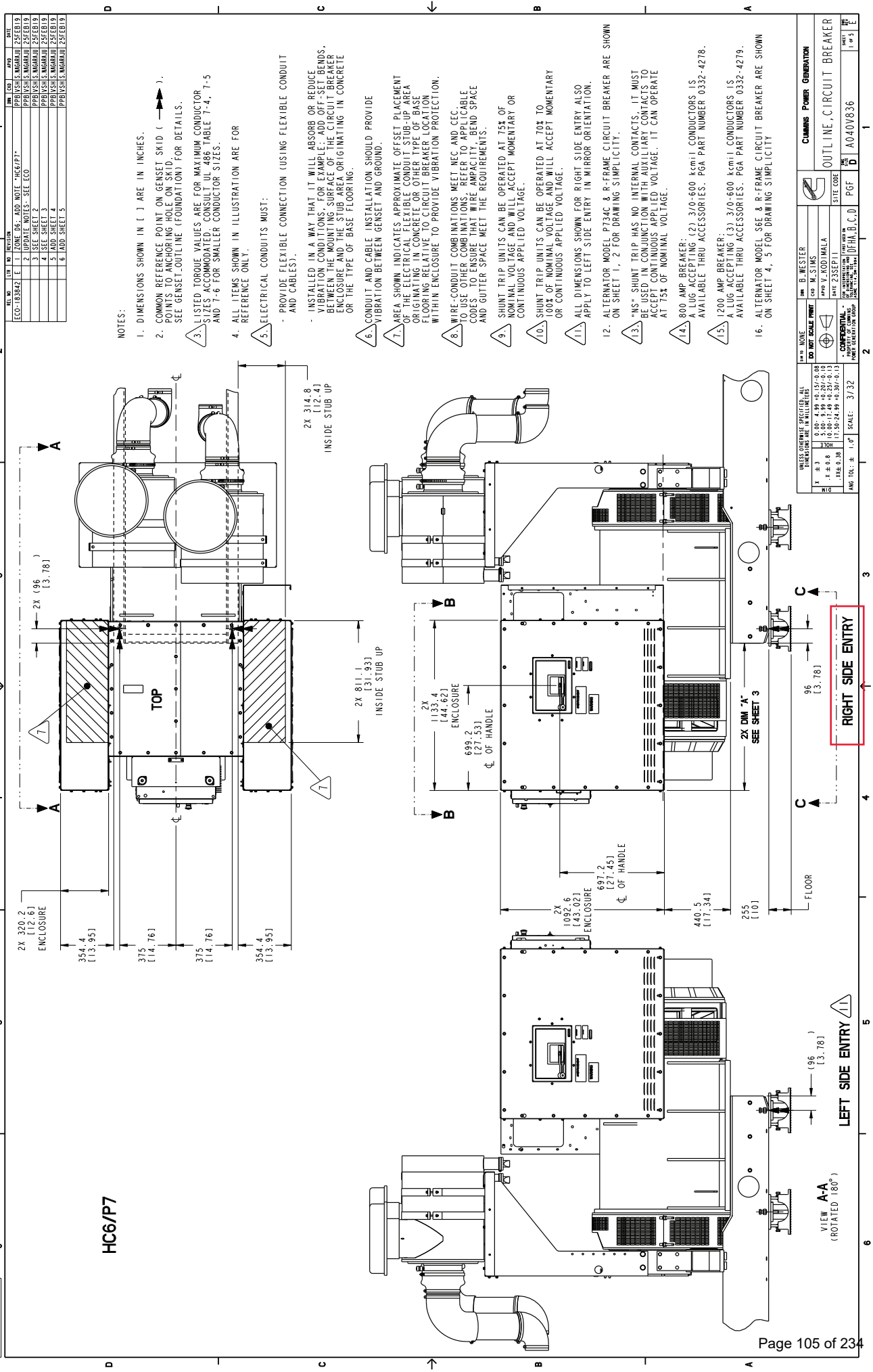
The following link is another way to decode the Schneider products

https://www.productinfo.schneider-electric.com/portals/ui/digest/viewer/561d5d65e4b0c5c41a243bf2/561d5f9ae4b0c5c41a24480c/r/17707021_83351#_17707021_83351

For decoding the ABB breakers, see the decoder sheet, titled "T8 Catalog number explanation"

Mechanically operated breakers							
Feature Code	Breaker box description	Cummins part #	Engine	Manufacturer	Breaker catalog number	Trip unit	Plug type
KP82-2	CB-2500, Right, 3P, UL600, IEC 415, UL Serv Ent, 100%	0320-2164-01	QST30-G5, 30L, QSK50-G4, QSK50-G5, QSK50-G7, QSK60-G6, QSK60-G11 QSK60-G14, QSK60-G18	Schneider Electric	RLF36250U31F	MicroLogic 3.0 LI	F
		A054K364	QSK19-G8, QSK23-G7		RLF36250U33F	MicroLogic 5.0 LSI	
KP83-2	CB-2500A, Left, 3P, 600, IEC 415, UL Serv Ent, 100%	0320-2164-01	QST30-G5, 30L, QSK50-G4, QSK50-G5, QSK50-G7, QSK60-G6, QSK60-G11 QSK60-G14, QSK60-G18	Schneider Electric	RLF36250U31F	MicroLogic 3.0 LI	F
		A054K364	QSK19-G8, QSK23-G7		RLF36250U33F	MicroLogic 5.0 LSI	
KP84-2	CB-2000, Right, 3P, UL 600, IEC 415, UL Serv Ent 100%	0320-2164-02	QST30-G5, 30L, QSK50-G4, QSK50-G5, QSK50-G7, QSK60-G6, QSK60-G11 QSK60-G14, QSK60-G18	Schneider Electric	RLF36200U31F	MicroLogic 3.0 LI	F
		A054K366	QSK19-G8, QSK23-G7		RLF36200U33F	MicroLogic 5.0 LSI	
KP85-2	CB-2000, Left, 3P, UL 600, IEC 415, UL Serv Ent, 100%	0320-2164-02	QST30-G5, 30L, QSK50-G4, QSK50-G5, QSK50-G7, QSK60-G6, QSK60-G11 QSK60-G14, QSK60-G18	Schneider Electric	RLF36200U31F	MicroLogic 3.0 LI	F
		A054K366	QSK19-G8, QSK23-G7		RLF36200U33F	MicroLogic 5.0 LSI	
KP86-2	CB-1600A, Right, 3P, UL 600, IEC 415, UL Serv Ent 100%	0320-2164-03	QST30-G5, 30L, QSK50-G4, QSK50-G5, QSK50-G7, 50L, 60L, QSK60-G6, QSK60-G11 QSK60-G14, QSK60-G18	Schneider Electric	RLF36160U31F	MicroLogic 3.0 LI	F
		A054K368	QSK19-G8, QSK23-G7		RLF36160U33F	MicroLogic 5.0 LSI	
KP87-2	CB-1600, Left, 3P, UL 600, IEC 415, UL Serv Ent 100%	0320-2164-03	QST30-G5, 30L, QSK50-G4, QSK50-G5, QSK50-G7, QSK60-G6, QSK60-G11 QSK60-G14, QSK60-G18	Schneider Electric	RLF36160U31F	MicroLogic 3.0 LI	F
		A054K368	QSK19-G8, QSK23-G7		RLF36160U33F	MicroLogic 5.0 LSI	
KP88-2	CB-1200, Right, 3P, UL 600, IEC 415, UL Serv Ent, 100%	0320-2183	QST30-G5, 30L, QSK50-G4, QSK50-G5, QSK50-G7, QSK60-G6, QSK60-G11 QSK60-G14, QSK60-G18	Schneider Electric	PJP36120U31E	MicroLogic 3.0 LI	E
		A054K408	QSK19-G8, QSK23-G7		PJP36120U33F	MicroLogic 5.0 LSI	
KP89-2	CB-1200, Left, 3P, UL 600, IEC 415, UL Serv Ent, 100%	0320-2183	QST30-G5, 30L, QSK50-G4, QSK50-G5, QSK50-G7, QSK60-G6, QSK60-G11 QSK60-G14, QSK60-G18	Schneider Electric	PJP36120U31E	MicroLogic 3.0 LI	E
		A054K408	QSK19-G8, QSK23-G7		PJP36120U33F	MicroLogic 5.0 LSI	
KP90-2	CB-800A, Right, 3P, UL 600, IEC 415, UL Serv Ent 100%	0320-2182	QST30-G5, 30L, QSK50-G4, QSK50-G5, QSK50-G7, QSK60-G6, QSK60-G11 QSK60-G14, QSK60-G18	Schneider Electric	PJP36080U31F	MicroLogic 3.0 LI	F
		A054K405	QSK19-G8, QSK23-G7		PJP36080U33F	MicroLogic 5.0 LSI	
KP91-2	CB-800A, Left, 3P, UL 600, IEC 415, UL Serv Ent, 100%	0320-2182	QST30-G5, 30L, QSK50-G4, QSK50-G5, QSK50-G7, QSK60-G6, QSK60-G11 QSK60-G14, QSK60-G18	Schneider Electric	PJP36080U31F	MicroLogic 3.0 LI	F
		A054K405	QSK19-G8, QSK23-G7		PJP36080U33F	MicroLogic 5.0 LSI	
KP92-2	CB-600A, Right, 3P, UL 600, IEC 690, UL Serv Ent 100%	A044T468	QSK19-G8, QSK23-G7, 30L, QSK50-G4, QSK50-G5, QSK50-G7, QSK60-G6, QSK60-G11 QSK60-G14, QSK60-G18	Schneider Electric	NLGL36600U33X-600A	MicroLogic 3.3S LSI	N/A
KP93-2	CB-600A, Left, 3P, UL 600, IEC 690, UL Serv Ent, 100%	A044T468	QSK19-G8, QSK23-G7, 30L, QSK50-G4, QSK50-G5, QSK50-G7, QSK60-G6, QSK60-G11 QSK60-G14, QSK60-G18	Schneider Electric	NLGL36600U33X-600A	MicroLogic 3.3S LSI	N/A
KU62-2	CB-3000A, 3P, 600/690V, UL/IEC, ServEnt, 100%UL, Right	A029B150	QSK50-G5, QSK50-G7, QSK60-G6, QSK60-G11 QSK60-G14, QSK60-G18	Schneider Electric	RLF36300U31A	MicroLogic 3.0 LI	F
KU68-2	CB-3000A, 3P, 600/690V, UL/IEC, ServEnt, 100%UL, Left	A029B150	QSK50-G5, QSK50-G7, QSK60-G6, QSK60-G11 QSK60-G14, QSK60-G18	Schneider Electric	RLF36300U31A	MicroLogic 3.0 LI	F

HC6/P7



NOTES:

1. DIMENSIONS SHOWN IN [] ARE IN INCHES.
2. COMMON REFERENCE POINT ON GINSET SKID (← →). POINTS TO ANCHORING HOLE ON SKID. SEE GENSET OUTLINE (FOUNDATION) FOR DETAILS.
3. LISTED TORQUE VALUES ARE FOR MAXIMUM CONDUCTOR SIZES ACCOMMODATED. CONSULT UL 486 TABLE 7-4, 7-5 AND 7-6 FOR SMALLER CONDUCTOR SIZES.
4. ALL ITEMS SHOWN IN ILLUSTRATION ARE FOR REFERENCE ONLY.
5. ELECTRICAL CONDUITS MUST:
 - PROVIDE FLEXIBLE CONNECTION (USING FLEXIBLE CONDUIT AND CABLES).
 - BE INSTALLED IN A WAY THAT IT WILL ABSORB OR REDUCE VIBRATION CONDITIONS. FOR EXAMPLE, ADD OFF-SET BENDS BETWEEN THE MOUNTING SURFACE OF THE CIRCUIT BREAKER ENCLOSURE AND THE STUB AREA ORIGINATING IN CONCRETE OR THE TYPE OF BASE FLOORING.
6. CONDUIT AND CABLE INSTALLATION SHOULD PROVIDE VIBRATION BETWEEN GENSET AND GROUND.
7. AREA SHOWN INDICATES APPROXIMATE OFFSET PLACEMENT OF THE ELECTRICAL FLEXIBLE CONDUIT STUB-UP AREA ORIGINATING IN CONCRETE OR OTHER TYPE OF BASE FLOORING RELATIVE TO CIRCUIT BREAKER LOCATION WITHIN ENCLOSURE TO PROVIDE VIBRATION PROTECTION.
8. WIRE CONDUIT COMBINATIONS MEET NEC AND SEC REQUIREMENTS. VERIFY THESE COMBINATIONS WITH APPLICABLE CODES TO ENSURE THAT WIRE AMPLACITY, BEND SPACE AND GUTTER SPACE MEET THE REQUIREMENTS.
9. SHUNT TRIP UNITS CAN BE OPERATED AT 75% OF NOMINAL VOLTAGE AND WILL ACCEPT MOMENTARY OR CONTINUOUS APPLIED VOLTAGE.
10. SHUNT TRIP UNITS CAN BE OPERATED AT 70% TO 100% OF NOMINAL VOLTAGE AND WILL ACCEPT MOMENTARY OR CONTINUOUS APPLIED VOLTAGE.
11. ALL DIMENSIONS SHOWN FOR RIGHT SIDE ENTRY ALSO APPLY TO LEFT SIDE ENTRY IN MIRROR ORIENTATION.
12. ALTERNATOR MODEL P734C & P-FRAME CIRCUIT BREAKER ARE SHOWN ON SHEET 1, 2 FOR DRAWING SIMPLICITY.
13. "NS" SHUNT TRIP HAS NO INTERNAL CONTACTS. IT MUST BE USED IN CONJUNCTION WITH AUXILIARY CONTACTS TO ACCEPT CONTINUOUS APPLIED VOLTAGE. IT CAN OPERATE AT 75% OF NOMINAL VOLTAGE.
14. 800 AMP BREAKER:
 - A LUG ACCEPTING (2) 3/0-600 kcmil CONDUCTORS IS AVAILABLE THRU ACCESSORIES. P&G PART NUMBER 0332-4278.
15. 1200 AMP BREAKER:
 - A LUG ACCEPTING (3) 3/0-600 kcmil CONDUCTORS IS AVAILABLE THRU ACCESSORIES. P&G PART NUMBER 0332-4279.
16. ALTERNATOR MODEL S6E & P-FRAME CIRCUIT BREAKER ARE SHOWN ON SHEET 4, 5 FOR DRAWING SIMPLICITY.

REV.	BY	CHK.	DATE	REV.	DATE
ECO-183842	E	J. LOONE	08-ADD NOTE "HC6/P7"		
			2. UPDATE NOTES - SEE ECO		
			3. USE SHEET 2		
			4. USE SHEET 3		
			5. USE SHEET 4		
			6. ADD SHEET 5		

CUMMINS POWER GENERATION	
M. WESTER	
W. STUBS	
M. V. RODRIGUEZ	
DATE: 2/5/07	
SITE CODE: []	
PGF: B	
PART NUMBER: A040V836	

UNITS CONVERSION TABLE DIMENSIONS ARE IN MILLIMETERS	
1	3.3
1	0.001
1	0.000
1	0.000
1	0.000
1	0.000
1	0.000
1	0.000
1	0.000
1	0.000
ANG. TOL.: ± 1.0° SCALE: 3/32	

VIEW A-A
(ROTATED 180°)

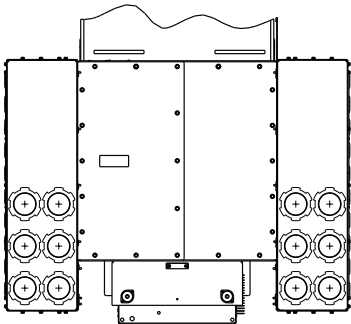
RIGHT SIDE ENTRY

LEFT SIDE ENTRY

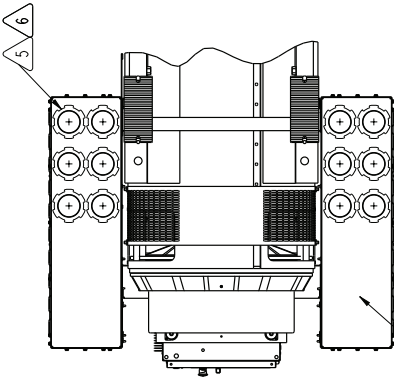
Page 105 of 234

REV.	NO.	DATE	BY	CHKD.	DATE
ECO-183842	E	3	ZONE DA, ADD. NOTE - HC6/P7	PPB	NSH

HC6/P7

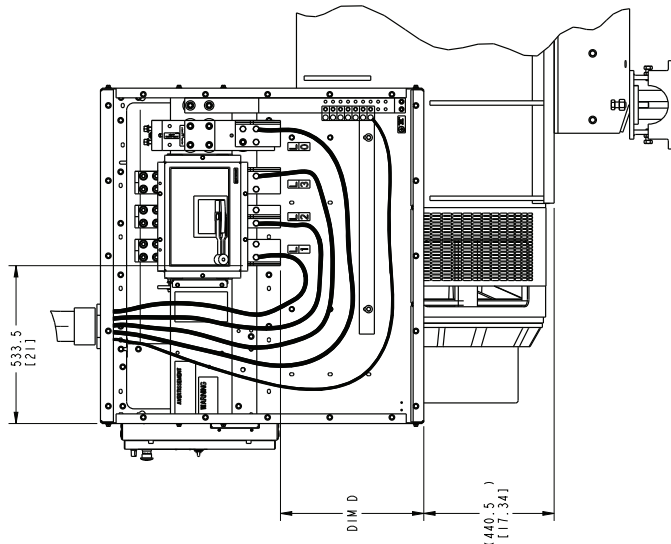


VIEW B-B
TOP ENTRANCE
SCALE 3/32

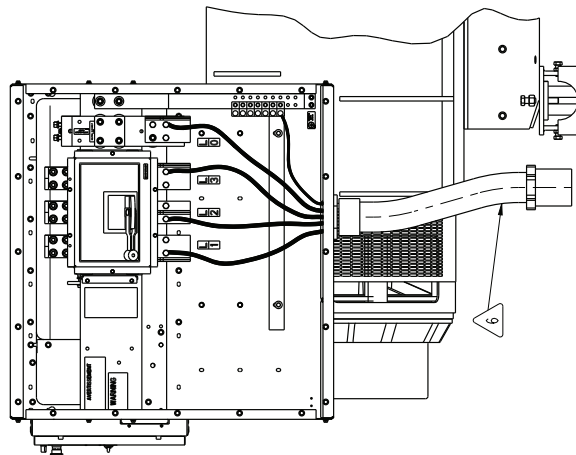


VIEW C-C
BOTTOM ENTRANCE
SCALE 3/32

BOTTOM OF CIRCUIT-BREAKER BOX



RIGHT SIDE
TOP ENTRY ROUTING EXAMPLE
SCALE 1/8



RIGHT SIDE
BOTTOM ENTRY ROUTING EXAMPLE
SCALE 1/8

TITLE: AIR CIRCUIT BREAKER DRAWING MADE IN MILLIMETERS		DESIGNED BY: B. WESTER		CUMMINS POWER GENERATION	
1	± 0.3	0.00 - 4.99	± 0.15 / -0.08	CO. M. SIMS	SITE CODE OUTLINE, CIRCUIT BREAKER
2	± 0.05	5.00 - 9.99	± 0.25 / -0.13	DATE: 2.3.97	
3	± 0.02	10.00 - 24.99	± 0.30 / -0.13	DR: V. RODRIGAL	
ANG. TOL.: ± 0.02		SCALE: 3/164		PGF	
CONVENTIONAL PROJECTING DIMENSIONS INDICATED UNLESS NOTED		DIPHA, B, C, D		A040V836	
ANG. TOL.: ± 0.02		SCALE: 3/164		PGF	
ANG. TOL.: ± 0.02		SCALE: 3/164		PGF	

REV. NO.	1	2	3	4	5	6
DATE	12/10/11	01/11/12	02/14/12	03/15/12	04/16/12	05/17/12
BY	PPB	NSH	NSH	NSH	NSH	NSH
CHKD						
APP. NO.						
DATE						

TABLE 3- ADD DIM "A"	TABLE 3- ADD DIM "A"
ECO-183842 E	ECO-183842 E
528120.711	528120.711
528120.711	528120.711
528120.711	528120.711
528120.711	528120.711

TABLE 1

UL/IEC LUGS		ACCESSORY SPECIFICATIONS						
LUG	FRAME	MAX AMPS	WIRE RANGE COPPER	DIM D ±25 [1.0]	ACCESSORY DESCRIPTION	CONTACT RATING	INRUSH	CONNECTION TYPE
	SQUARE D NSJ	400A 3 OR 4 POLE	#2-600 KCMIL	554 [21.8]	24 VDC SHUNT TRIP	10A Δ 10	COMPRESSION TERMINALS #20-16 AWG OR SMALLER TORQUE: 10 LB-IN
	SQUARE D W/ MICROLOGIC 3.0 TRIP UNIT	600A 3-POLE	2/0-350 KCMIL	554 [21.8]	1 EA. FORM C 1 AUX CONTACT + 1 TRIP ALARM	6A AT 240 VAC, 6A AT 480 VAC, 3A AT 600 VAC, 2.5A AT 48 VDC, 0.8A AT 125VDC, 0.3A AT 250 VDC	10A Δ 10	COMPRESSION TERMINALS #20-16 AWG OR SMALLER TORQUE: 10 LB-IN
	SQUARE D W/ MICROLOGIC 3.0 TRIP UNIT	800A 3-POLE	3/0-500 KCMIL	559 [23.5]	24 VDC SHUNT TRIP	200VA Δ 10	COMPRESSION TERMINALS FOR 1 OR 2 #18-14 AWG TORQUE: 10 LB-IN
	SQUARE D W/ MICROLOGIC 3.0 TRIP UNIT	1200A 3-POLE	3/0-500 KCMIL	556 [21.8]	1 EA. FORM C 1 AUX CONTACT + 1 TRIP ALARM	6A AT 240 VAC, 6A AT 480 VAC, 3A AT 600 VAC, 2.5A AT 48 VDC, 0.8A AT 125VDC, 0.3A AT 250 VDC	COMPRESSION TERMINALS FOR 1 OR 2 #18-16 AWG TORQUE: 10 LB-IN
	SQUARE D 1600-2500 AMP BIG BREAKS 3.0 TRIP UNIT W/ MICROLOGIC 3.0 TRIP UNIT	1600-2500 AMP BIG BREAKS 3.0 TRIP UNIT	NEMA HOLE PATTERN	490 [19]	24 VDC SHUNT TRIP	200VA Δ 10	COMPRESSION TERMINALS FOR 1 OR 2 #18-14 AWG TORQUE: 10 LB-IN
	R 2500/2000/1600 W/ OPTONAL LUG BREAKERS [42 Nm] TORQUE 375 IN LBS	1600-2500 AMP BIG BREAKS 3.0 TRIP UNIT	#2-600 KCMIL	490 [19]	24 VDC SHUNT TRIP	200VA Δ 10	COMPRESSION TERMINALS FOR 1 OR 2 #18-16 AWG TORQUE: 10 LB-IN

1600 amp breaker

TABLE 2

TYPICAL CONDUIT AND WIRE SIZE BASED ON NEC 2008, ARTICLE 310.15 AT 75C TEMPERATURE RATED CONDUCTOR AT 30C AMBIENT AND ANNEX C

MAX BRKR AMPS	WIRE (COPPER)		TOTAL NUMBER OF CONDUITS
	QTY	SIZE (IN INCHES)	
2500	6	600 KCMIL	6
2000	5	600 KCMIL	5
1600	5	600 KCMIL	4
1200	3	500 KCMIL	3
1000	3	400 KCMIL	3
800	2	300 KCMIL	2
630	2	350 KCMIL	2
400	1	600 KCMIL	2
250	1	250 KCMIL	1
100	1	2 KCMIL	1

TYPICAL CONDUIT AND WIRE SIZE BASED ON NEC 2008, ARTICLE 310.15 AND TABLE 310.16 AT 75C TEMPERATURE RATED CONDUCTOR AT 40C AMBIENT AND ANNEX C

TABLE 3

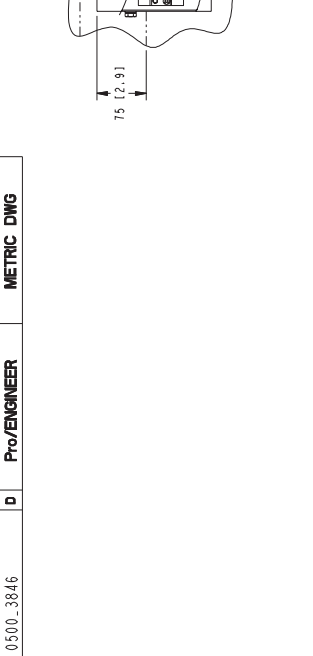
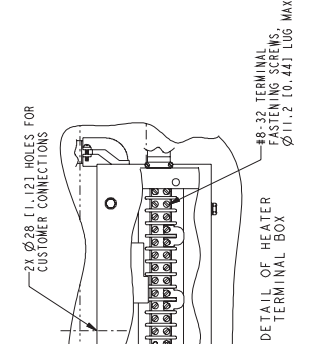
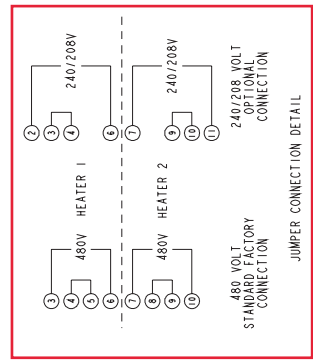
GENSET MODEL	WIRE (COPPER)		TOTAL NUMBER OF CONDUITS
	QTY	SIZE (IN INCHES)	
<input type="checkbox"/> HC634G	4	418	6
<input type="checkbox"/> HC634H	5	405	5
<input checked="" type="checkbox"/> HC634J	4	405	4
<input type="checkbox"/> HC634K	3	334	3
<input type="checkbox"/> HC634L	3	273	3

<input type="checkbox"/> D0F4A	<input type="checkbox"/> D0F4B	<input type="checkbox"/> D0F4C	<input type="checkbox"/> D0F4D
--------------------------------	--------------------------------	--------------------------------	--------------------------------

TABLE 3

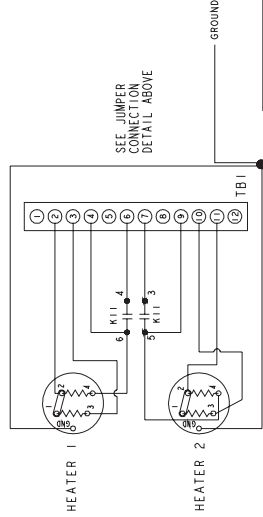
ALTERNATOR MODEL	DIM "A"
<input type="checkbox"/> HC634G	554 [21.8]
<input type="checkbox"/> HC634H	554 [21.8]
<input checked="" type="checkbox"/> HC634J	654 [25.7]
<input type="checkbox"/> HC634K	755 [29.7]
<input type="checkbox"/> P734B	746 [29.3]
<input type="checkbox"/> P734C	746 [29.3]
<input type="checkbox"/> S60	528 [20.7]
<input type="checkbox"/> S6E	648 [24.4]
<input type="checkbox"/> S6F	648 [24.4]

REV. NO.	DATE	BY	DESCRIPTION	DATE	BY	DESCRIPTION
1	08/23/04	LB	ISSUE FOR MARETTI 08-23-07			
2	08/23/04	LB	ISSUE FOR MARETTI 08-23-07			

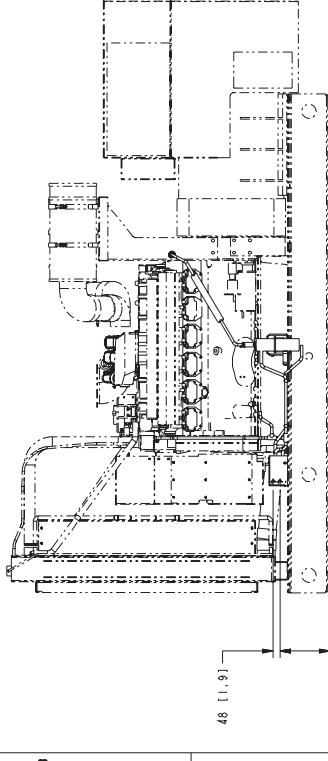
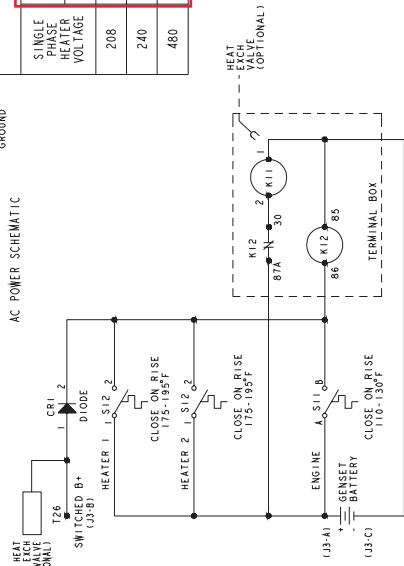


- NOTES:
1. DIMENSIONS IN [] ARE INCHES.
 2. THE HEATER CONTROL RELAY DRAWS 83mA OF CURRENT WHEN THE HEATERS ARE UNPOWERED. HEATERS ARE NOT POWERED WHEN:
 - 1) TEMPERATURE REACHED DESIGN TEMPERATURE OR
 - 2) THE ENGINE IS RUNNING.

▲ A BATTERY CHARGER IS REQUIRED TO PREVENT BATTERY DISCHARGE.



FEATURE CODE	H55	H55	FEATURE CODE
SINGLE PHASE HEATER VOLTAGE	208	240	480
HEATER AMPS	18.0	20.8	10.4
TOTAL AMPS	36.0	41.6	20.8
TOTAL WATTS	7488	9884	9884
HEATER AMPS	23.2	26.75	13.375
TOTAL AMPS	46.4	53.5	26.75
TOTAL WATTS	9650	12840	12840



DC CONTROL SCHEMATIC

REV. NO.	DATE	BY	DESCRIPTION	DATE	BY	DESCRIPTION
1	04/23/04	LB	ISSUE FOR MARETTI 04-23-04			
2	06/24/04	LB	ISSUE FOR MARETTI 06-24-04			

DO NOT SCALE PRINT	DATE	BY	DESCRIPTION	DATE	BY	DESCRIPTION
0500_3846	04/23/04	LB	ISSUE FOR MARETTI 04-23-04			
	06/24/04	LB	ISSUE FOR MARETTI 06-24-04			

Battery Charger

A048G602 10A 50/60 Hz

A051H785 20A 50/60 Hz



Description

Cummins Power Generation fully automatic battery chargers are constant voltage/constant current chargers incorporating a 4-stage charging algorithm. Designed for use in applications where battery life and reliability are important; these chargers, complete with built-in equalize charge capability, are ideal for stationary or portable starting battery charging service.

To achieve optimum battery life, a 4-stage charging cycle is implemented. The four charging stages are constant current, high-rate taper charge, finishing charge, and maintaining charge. During the constant current cycle the charger operates at maximum possible output in the fast charge mode. During the high-rate taper charge cycle the charger stays at fast charge voltage level until battery current acceptance falls to a portion of the charger rated output. During the finishing charge cycle the charger operates at the float voltage and completes the battery charge. During the maintaining charge cycle the charger supplies only a few milliamps required by the battery to stay at peak capability.

An optional temperature sensor (A043D534) may be used to adjust charging voltage based on temperature of the battery. Use of a battery temperature sensor helps to increase battery life by preventing over or under charging. The battery temperature sensor also protects the battery from overheating. Temperature compensation sensor is required for all applications when battery charger and battery are located in different temperature or battery heater is being used.

Battery chargers are field-configurable for charging either 12 or 24 VDC battery systems at 50/60 Hz operation. Simple jumper selectors enable selection of output voltage and battery type.

Features

Protection – Surge protected to IEEE and EN standards. All models include single pole cartridge type fuses mounted on the printed circuit board to protect against input or output overcurrent.

Easy installation – Clearly marked terminal blocks and panel knockouts provide convenient connections of input and output leads.

User display – Output voltage and current, fault information and status are indicated on the front panel. Includes precision ammeter and voltmeter.

Monitoring – Status LED indicators are provided to show the condition of the charger. LED's on the right side of the monitor indicate operational functions for Temperature Compensation active (Green), AC on (Green), Float (Green) or Boost (Amber) mode, as well as Battery Fault (Red). LED's on the left side of the monitor illuminate (in Red) when Charger fail, High or Low VDC or AC fail occur.

Adjustable float voltage – Float voltage can be set, using easy to understand jumpers, for optimum battery performance and life.

Construction – NEMA-1 (IP20) corrosion resistant aluminum enclosure designed for wall mounting.

Faults – The charger senses and annunciates the following fault conditions: AC power loss, battery overvoltage, battery under voltage, battery fault conditions and charger failure. Includes an individual 30 volt/2 amp isolated contact for each alarm.

Vibration resistant design – complies with UL991 class B vibration resistance requirements.

Listed – C-UL listed to UL 1236 CSA standard 22.2 No 107.2-M89. Suited for flooded and AGM lead acid and NiCd batteries in generator set installations.

Warranty – 5 year CPG warranty.



Status and Fault LED



Field selectable jumper

Specifications

Performance and physical characteristics

Output:	Nominal voltage	12VDC* or 24VDC
	Float voltage– 12VDC batteries	12.87, 13.08, 13.31, 13.50*, 13.62, 14.30
	Float voltage– 24VDC batteries	25.74, 26.16, 26.62, 27.00*, 27.24, 28.60
	Equalize-voltage	6.5% above float voltage sensing
	Output voltage regulation	±0.5% (1/2%) line and load regulation
	Maximum output current	10 or 20 amps nominal
	Equalize charging	Battery interactive auto-boost
Input:	Voltage AC	120, 208, 240 ±10%
	Frequency	60/50 Hz ±5%
Approximate net weight:		10A: 25 lbs. (11.36 Kg) 20A: 50 lbs. (22.68 Kg)
Approximate dimensions: height x width x depth-in		10A: 12.50" x 7.66" x 6.50"(318x195x165 mm) 20A: 13.06" x 13.95" x 6.83"(332x354x173 mm)
Ambient temperature operation: At full rated output		- 4°F to 104 °F (-20 °C to 45 °C)

Note:

- Battery charger comes with default settings of 12VDC and 13.50/27.00VDC float voltage and can be changed to the battery manufacture recommendations. Replacement printed circuit board and fuses are identified in the Owner's Manual (10A: A050S537 and 20A: A051X126) which resides in Quick Serve On-Line. Service parts can be purchased through the Memphis Distribution Center. The PC board replacement instruction sheet (10A: A052N073, 20A: A053W929) and service manual (A050D829) is also available.
- Installation and application must comply with "section 4.5.3 batteries and battery charger" of application guide T-030 (Liquid Cooled Generator Set Application Manual A040S369).

Caution:

- Higher input voltages (i.e. 480VAC or 600VAC) can be applied if a transformer with a 120VAC-240VAC output is installed. For voltages higher than 240 VAC, step-down transformer must be used. Review the respective Owner/Installation manual A050S537 for 10Amp and A051X126 20A chargers for supplier recommended step-down transformer requirements.
- 10Amp battery charger is recommended for genset applications with 1 or 2 factory provided batteries. 20Amp battery charger is recommended for Cummins Genset applications with 3 or 4 factory provided batteries. Please consider the auxiliary DC loads connected to the genset batteries and size this charger as per the T-030 application guide to prevent misapplication issues.
- Back feed to a utility system can cause electrocution and/or property damage. Do not connect generator sets to any building electrical system except through an approved device or after building main switch is open.
- For professional use only. Must be installed by a qualified service technician. Improper installation presents hazards of electrical shock and improper operation, resulting in severe personal injury and/or property damage.
- Use this charger for charging LEAD-ACID or LIQUID ELECTROLYTE NICKEL-CADMIUM batteries only. Do not use this battery charger for charging dry cells, alkaline, lithium, nickel-metal hydride, or sealed nickel-cadmium batteries that are commonly used with home appliances. These batteries may burst and cause injuries to persons and damage to property.
- Do not parallel these battery chargers with any other charging system.

Americas
1400 73rd Avenue N.E.
Minneapolis, MN 55432 USA
Phone: 763 574 5000
Fax: 763 574 5298

Europe, CIS, Middle East and Africa
Manston Park Columbus Ave.
Manston Ramsgate
Kent CT 12 5BF United Kingdom
Phone 44 1843 255000
Fax 44 1843 255902

Asia Pacific
10 Toh Guan Road #07-01
TT International Tradepark
Singapore 608838
Phone 65 6417 2388
Fax 65 6417 2399

REV. NO.	DATE	BY	DESCRIPTION
ECO-149459	C	J	ADD NOTE 10

NOTES:

- BATTERY CHARGER SPECIFICATIONS:
TYPE: IRS
OUTPUT VOLTAGE: 22, 12 OR 24 VOLTS.
OUTPUT CURRENT: 10, 10 AMPS TOLERANCE $10\% \pm 5\%$.
INPUT VOLTAGE: 120 OR 208-240 VAC 50 OR 60 HZ.
OPTIONAL CODE: 5 ALARMS AND 10 ALARMS.
OPTIONAL CODE-C: CUMMINS BRANDED CHARGER.
- THIS PART IS MANUFACTURER SOURCE CONTROLLED.
- ALL DIMENSIONS ARE FOR REFERENCE ONLY.
- DEFAULT SETTINGS:
MANUAL MODE: 12 VDC.
FLOAT VOLTAGE: 13.5 VDC.
LINE VOLTAGE: 208-240 VAC.
DISPLAY METER JUMPER POSITION: AUTO.
BOOST MODE SETTING: NORM.
- MOUNT TO VERTICAL SURFACE OF 19MM PLYWOOD OR OTHER MATERIAL OF EQUAL STRENGTH AND DURABILITY. USING 4 MOUNTING SCREWS 6MM DIAMETER.
- ALLOW ACCESS FOR REMOVAL OF PHILLIPS SCREWS FOR SERVICEABILITY. TORQUE 1.13 \pm 0.23 NM.
- REFER TO CUMMINS APPLICATION MANUAL AND BATTERY USER MANUAL FOR BATTERY CHARGER (LOAD CAPABILITIES) IN THE APPLICATION MANUAL PRIOR TO CONNECTING CONTROLLER AND ACCESSORY LOADS.
- LINE DEFECTS MINIMUM VENT CLEARANCE AREA.
- WEIGHT: 11.3KG.
- CUMMINS SPECIFIC SUPPLIER'S INSTALLATION AND OPERATION MANUAL TO BE INCLUDED WITH BATTERY CHARGER.

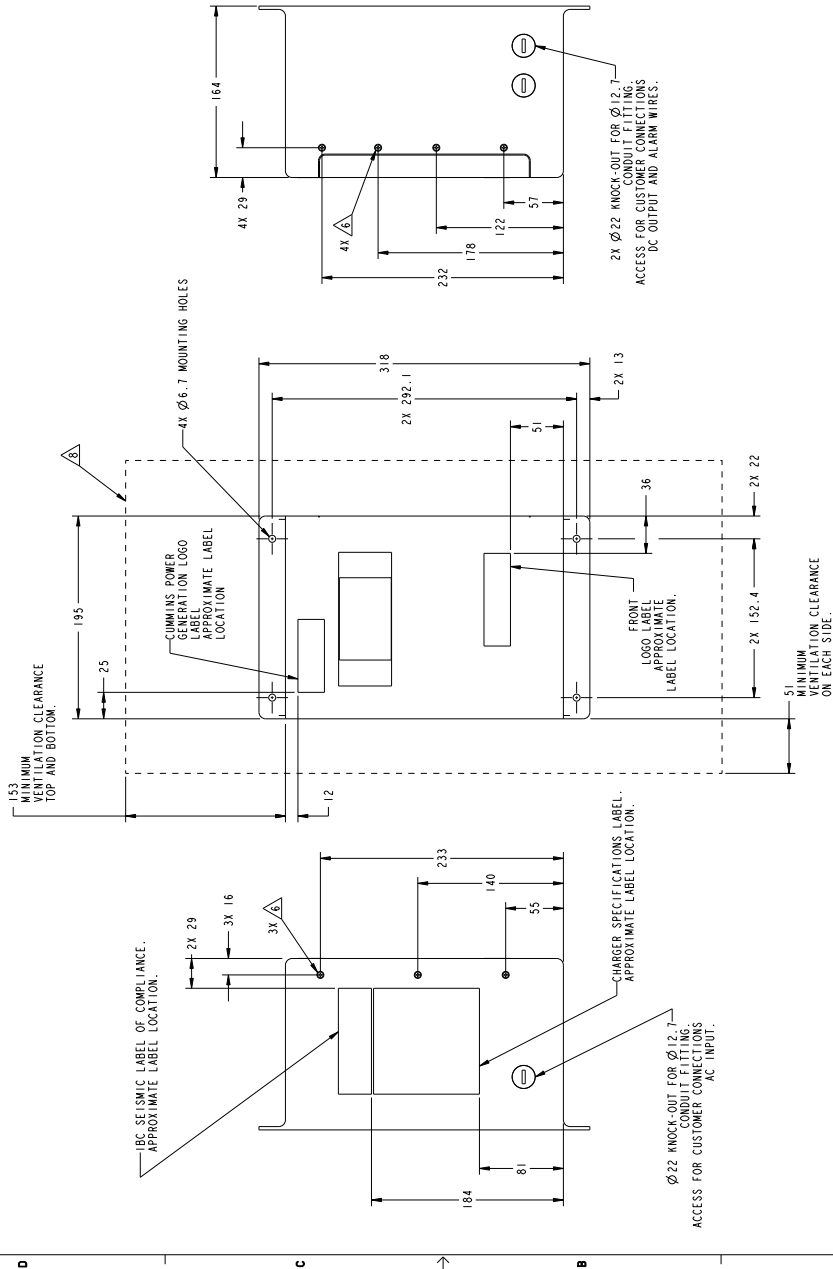
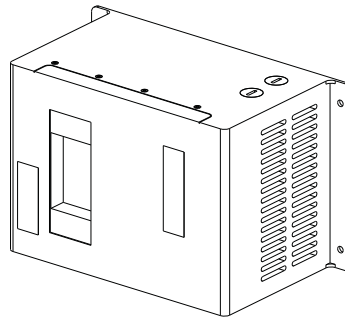


TABLE 1. DIMENSIONS IN MILLIMETERS

UNIT	INCH	MILLIMETER
1/8	0.125	3.175
1/4	0.250	6.350
3/8	0.375	9.525
1/2	0.500	12.700
5/8	0.625	15.875
3/4	0.750	19.050
7/8	0.875	22.225
1	1.000	25.400
1 1/8	1.125	28.575
1 1/4	1.250	31.750
1 3/8	1.375	34.925
1 1/2	1.500	38.100
1 5/8	1.625	41.275
1 3/4	1.750	44.450
1 7/8	1.875	47.625
2	2.000	50.800

DATE	11/11/2021
BY	SK
CHECKED BY	SK
STATE CODE	PA
PGF	B
REV	A048G602
REV	1
REV	2
REV	3

Drawing Name: A048G603 Revision: C
Part Name: A048G602 Revision: C
Sheet 1 of 2

Limited Warranty

Commercial Generating Set

This limited warranty applies to all Cummins Power Generation® branded commercial generating sets and associated accessories (hereinafter referred to as "Product").

This warranty covers any failures of the Product, under normal use and service, which result from a defect in material or factory workmanship.

Warranty Period:

The warranty start date† is the date of initial start up, first rental, demonstration or 18 months after factory ship date, whichever is sooner. See table for details.

Continuous Power (COP) is defined as being the maximum power which the generating set is capable of delivering continuously whilst supplying a constant electrical load when operated for an unlimited number of hours per year. No overload capability is available for this rating.

Prime Power (PRP) is defined as being the maximum power which a generating set is capable of delivering continuously whilst supplying a variable electrical load when operated for an unlimited number of hours per year. The permissible average power output over 24 hours of operation shall not exceed 70% of the PRP. For applications requiring permissible average output higher than stated, a COP rating should be used.

Limited-Time Running Power (LTP) is defined as the maximum power available, under the agreed operating conditions, for which the generating set is capable of delivering for up to 500 hours of operation per year.

Emergency Standby Power (ESP) is defined as the maximum power available during a variable electrical power sequence, under the stated operating conditions, for which a generating set is capable of delivering in the event of a utility power outage or under test conditions for up to 500 hours of operation per year. The permissible average power output over 24 hours of operation shall not exceed 70% of the ESP.

Environmental Protection Agency – Stationary Emergency (EPA-SE) is defined as being the maximum power available during a variable electrical power sequence, under the stated operating conditions, for which a generator set is capable of delivering in the event of a utility power outage or under test conditions and used in strict accordance with the EPA NSPS for stationary engines, 40 CFR part 60, subparts IIII and JJJJ, where a reliable utility must be present. The permissible average power output over 24 hours of operation shall not exceed 70% of the EPA-SE.

Data Center Continuous (DCC) is defined as the maximum power which the generator is capable of delivering continuously to a constant or varying electrical load for unlimited hours in a data center application.

Base Warranty Coverage Duration (Whichever occurs first)

Rating	Months	Max. Hours
COP	12	Unlimited
PRP	12	Unlimited
LTP	12	500 hrs
ESP	24	1000 hrs
EPA-SE	24	Unlimited
DCC	24	Unlimited

† Warranty start date for designated rental and oil and gas model Products is determined to be date of receipt of Product by the end customer.

Cummins Power Generation® Responsibilities:

In the event of a failure of the Product during the warranty period due to defects in material or workmanship, Cummins Power Generation® will only be responsible for the following costs:

- All parts and labor required to repair the Product.
- Reasonable travel expenses to and from the Product site location.
- Maintenance items that are contaminated or damaged by a warrantable failure.

Owner Responsibilities:

The owner will be responsible for the following:

- Notifying Cummins Power Generation® distributor or dealer within 30 days of the discovery of failure.
- Installing, operating, commissioning and maintaining the Product in accordance with Cummins Power Generation®'s published policies and guidelines.
- Providing evidence for date of commissioning.
- Providing sufficient access to and reasonable ability to remove the Product from the installation in the event of a warrantable failure.
- Incremental costs and expenses associated with Product removal and reinstallation resulting from non-standard installations.
- Costs associated with rental of generating sets used to replace the Product being repaired.
- Costs associated with labor overtime and premium shipping requested by the owner.
- All downtime expenses, fines, all applicable taxes, and other losses resulting from a warrantable failure.

Limitations:

This limited warranty does not cover Product failures resulting from:

- Inappropriate use relative to designated power rating.
- Inappropriate use relative to application guidelines.
- Inappropriate use of an EPA-SE application generator set relative to EPA's standards.
- Normal wear and tear.
- Improper and/or unauthorized installation.
- Negligence, accidents or misuse.
- Lack of maintenance or unauthorized repair.
- Noncompliance with any Cummins Power Generation® published guideline or policy.
- Use of improper or contaminated fuels, coolants or lubricants.
- Improper storage before and after commissioning.
- Owner's delay in making Product available after notification of potential Product problem.
- Replacement parts and accessories not authorized by Cummins Power Generation®.
- Use of Battle Short Mode.
- Owner or operator abuse or neglect such as: operation without adequate coolant or lubricants; overfueling; overspeeding; lack of maintenance to lubricating, cooling or air intake systems; late servicing and maintenance; improper storage, starting, warm-up, run-in or shutdown practices, or for progressive damage resulting from a defective shutdown or warning device.

- Damage to parts, fixtures, housings, attachments and accessory items that are not part of the generating set.

This limited warranty does not cover costs resulting from:

- Difficulty in gaining access to the Product.
- Damage to customer property.

A "Data center" is defined as a dedicated facility that house computers and associated equipment for data storage and data handling.

Reliable utility is defined as utility power without routine or regularly scheduled black-outs.

Please contact your local Cummins Power Generation® Distributor for clarification concerning these limitations.

CUMMINS POWER GENERATION® RIGHT TO FAILED COMPONENTS:

Failed components claimed under warranty remain the property of Cummins Power Generation®. Cummins Power Generation® has the right to reclaim any failed component that has been replaced under warranty.

Extended Warranty:

Cummins Power Generation® offers several levels of Extended Warranty Coverage. Please contact your local Cummins Power Generation® Distributor for details.

www.power.cummins.com

THE WARRANTIES SET FORTH HEREIN ARE THE SOLE WARRANTIES MADE BY CUMMINS POWER GENERATION® IN REGARD TO THE PRODUCT. CUMMINS POWER GENERATION® MAKES NO OTHER WARRANTIES, EXPRESS OR IMPLIED, OR OF MERCHANTABILITY OR FITNESS FOR A PARTICULAR PURPOSE.

IN NO EVENT IS CUMMINS POWER GENERATION® LIABLE FOR INCIDENTAL OR CONSEQUENTIAL DAMAGES.

This limited warranty shall be enforced to the maximum extent permitted by applicable law. This limited warranty gives the owner specific rights that may vary from state to state or from jurisdiction to jurisdiction.

Product Model Number: _____
 Product Serial Number: _____
 Date in Service: _____