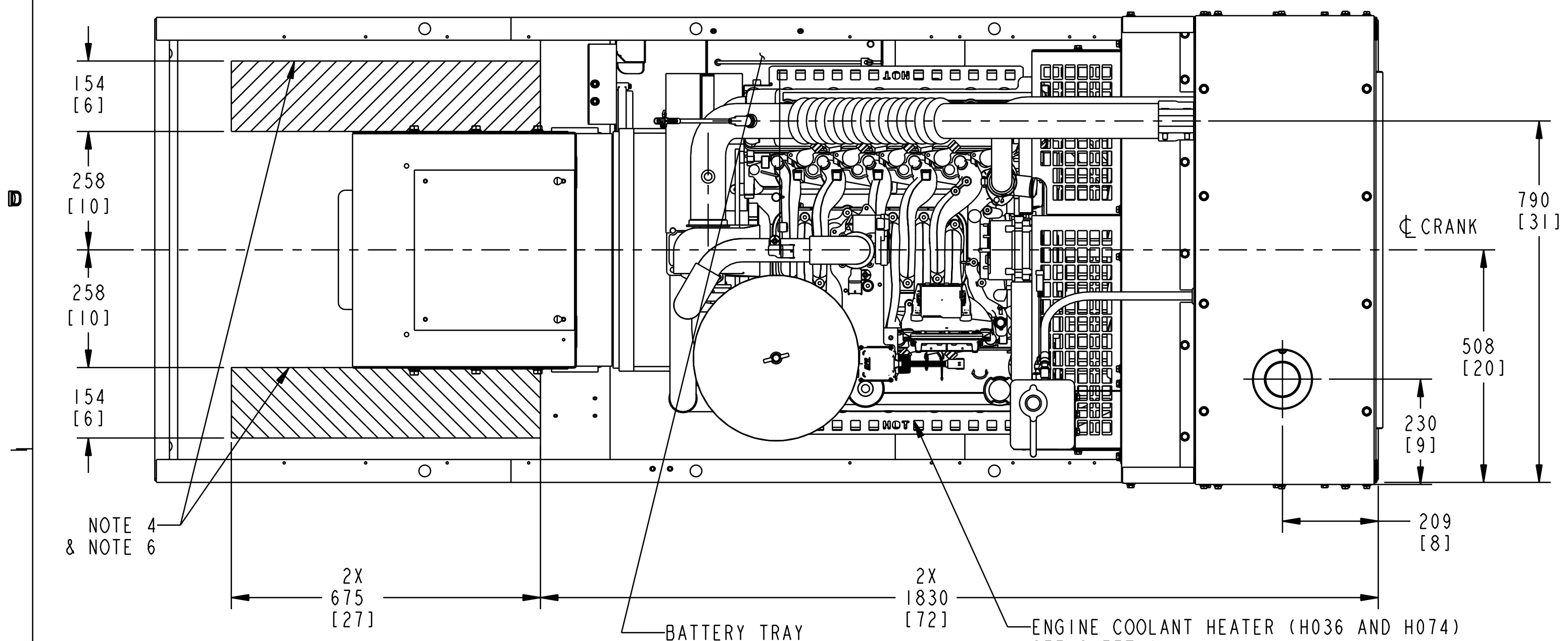


0500_4087



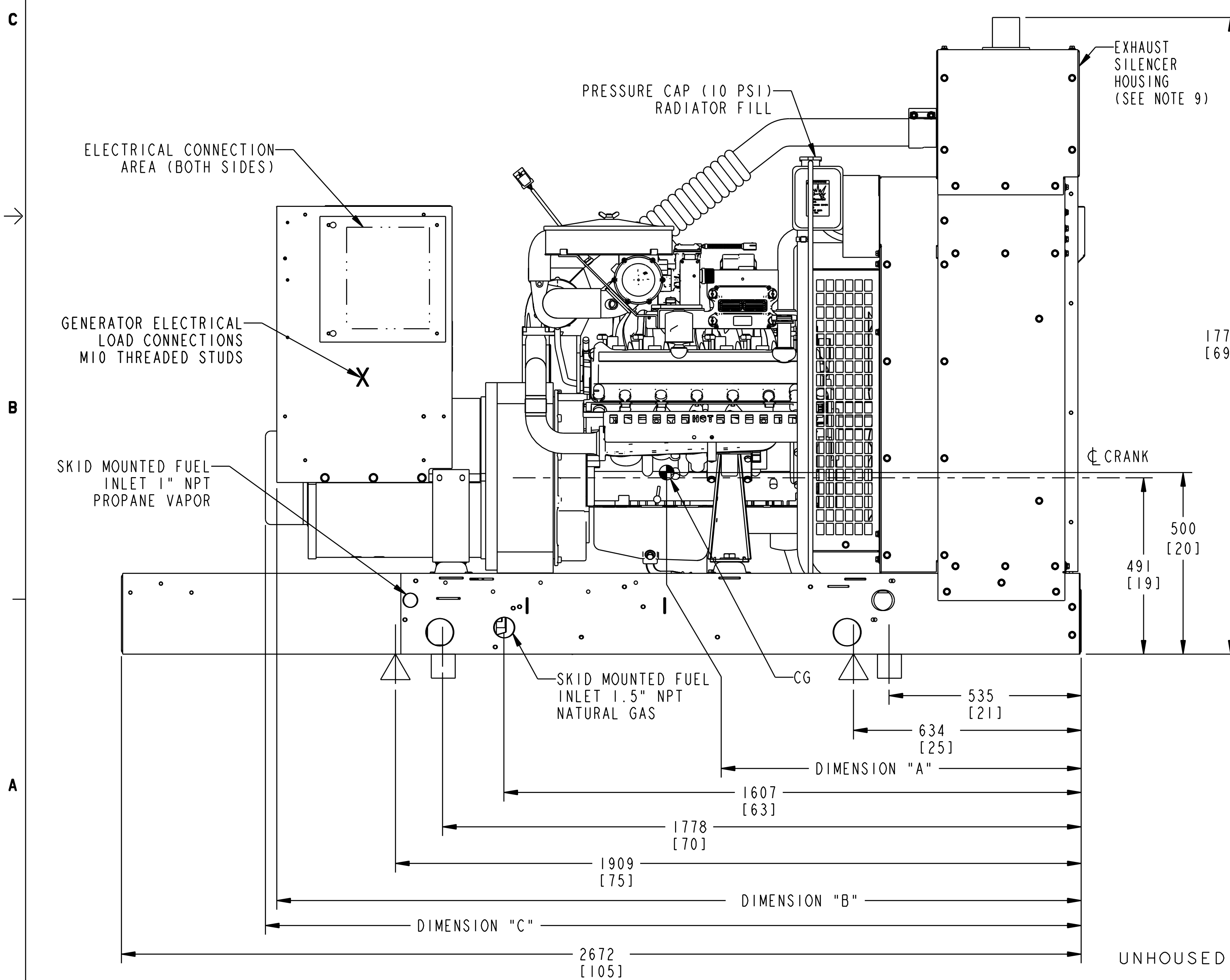
NOTE 4 & NOTE 6

BATTERY TRAY ENGINE COOLANT HEATER (H036 AND H074) SEE SHEET 6

| TABULATION | | | | |
|---------------------------|---------------|---------------|---------------|-------------------------|
| ALTERNATOR DATA SHEET NO. | DIMENSION "A" | DIMENSION "B" | DIMENSION "C" | GENSET WET WEIGHT kg lb |
| 206 (C) | 1335 [52.6] | 2239 [88] | 2271 [89.4] | 1111.3 (2450) |
| 207 (D) | 1355.3 [53.4] | 2239 [88] | 2271 [89.4] | 1133.1 (2498) |
| 208 (E) | 1375.6 [54.2] | 2354 [93] | 2386 [94.0] | 1178.5 (2598) |
| 209 (F) | 1403.6 [55.3] | 2354 [93] | 2386 [94.0] | 1239.2 (2732) |
| 210 (G) | 1411.2 [55.6] | 2404 [95] | 2436 [96.0] | 1249.7 (2755) |

| REL NO | LTR | NO | REVISION | DWN | CRD | APVD | DATE |
|------------|-----|----|--------------------------------------|-----|-----|--------|---------|
| ECO-119183 | M | 1 | ENGINE GEOMETRY CHANGES IN ALL VIEWS | CJF | AF | FELBER | 01SEP11 |
| | | 2 | ADD DIMENSION "B" INFO TO TABULATION | CJF | AF | FELBER | 01SEP11 |
| | | 3 | SPEC LEVEL ADJUSTED | CJF | AF | FELBER | 01SEP11 |
| | | 4 | SEE PAGE 8 | CJF | AF | FELBER | 01SEP11 |
| | | 5 | SEE PAGE 9 | CJF | AF | FELBER | 01SEP11 |

- NOTES:
- DIMENSIONS SHOWN IN [] ARE INCHES.
 - Ø20.7 [.81] HOLES MARKED BY \triangle ARE FOR 4 POINT ISOLATION MOUNTING OR SECURING TO MOUNTING SURFACE.
 - Ø25.4 [1.0] HOLES MARKED \square ARE FOR SECURING TO MOUNTING SURFACE.
 - REFER TO CIRCUIT BREAKER OUTLINE DRAWING FOR ELECTRICAL STUB-UP AREA FOR SPECIFIC CIRCUIT BREAKERS.
 - TABULATED WEIGHT AND CENTER OF GRAVITY (CG) IS FOR SET WITH NO OPTIONS.
 - FOR ENTRANCE BOX APPLICATIONS SEE APPLICABLE ENTRANCE BOX OUTLINE DRAWING.
 - OPTIONAL ENTRANCE BOX (NOT SHOWN) WILL BE MOUNTED ON THE RIGHT SIDE AS VIEWED FROM THE CONTROL.
 - OPTIONAL BREAKER BOX (NOT SHOWN) WILL BE MOUNTED ON THE LEFT SIDE AS VIEWED FROM THE CONTROL UNLESS OTHERWISE SPECIFIED.
 - EXHAUST SILENCER WILL INCLUDE AN INTERNAL CATALYST FOR AN EMISSION SET.



ELECTRICAL CONNECTION AREA (BOTH SIDES)

GENERATOR ELECTRICAL LOAD CONNECTIONS M10 THREADED STUDS

SKID MOUNTED FUEL INLET 1" NPT PROPANE VAPOR

PRESSURE CAP (10 PSI) RADIATOR FILL

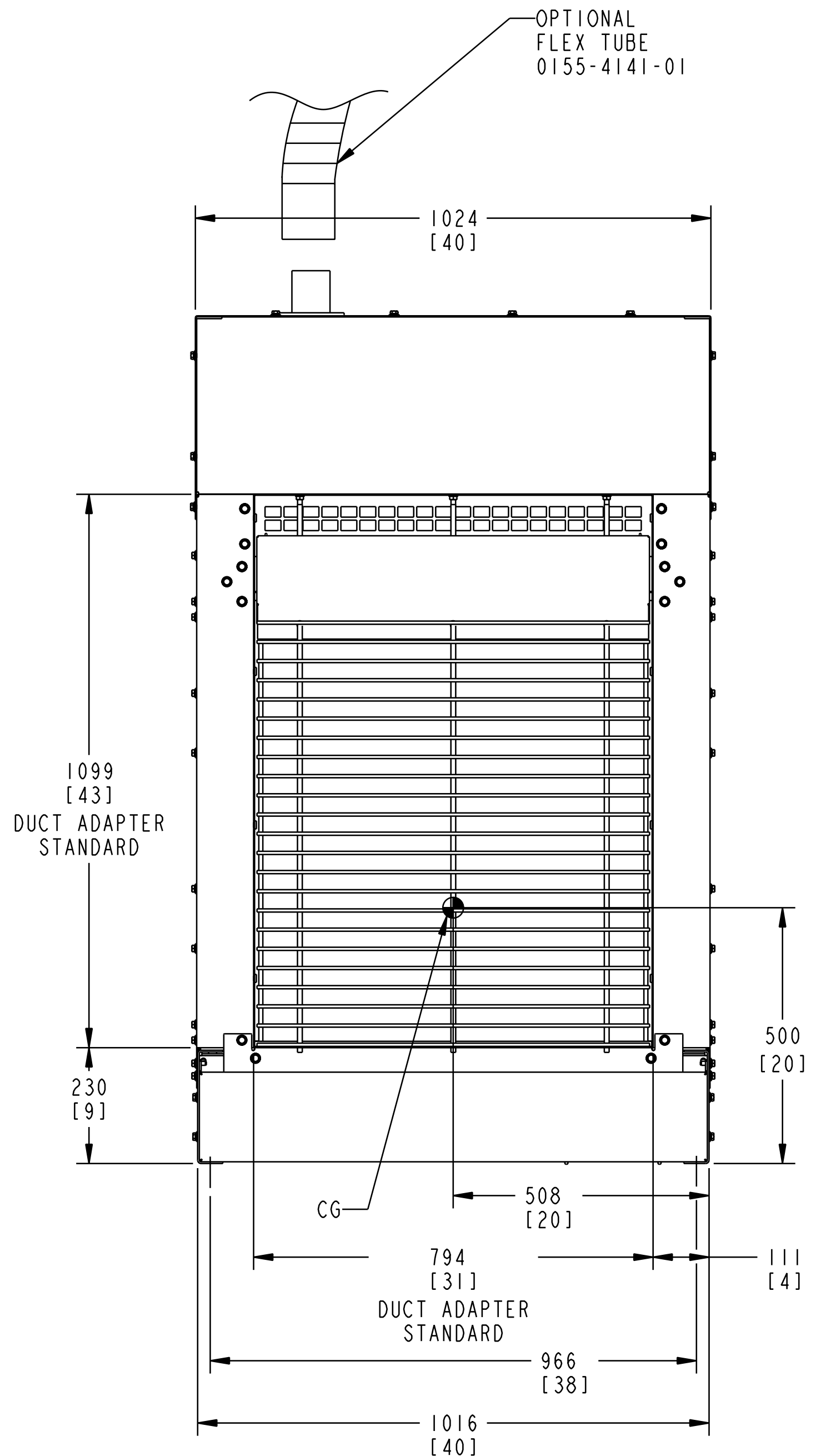
EXHAUST SILENCER HOUSING (SEE NOTE 9)

SKID MOUNTED FUEL INLET 1.5" NPT NATURAL GAS

CG

CRANK

UNHOUSED HOUSING READY W/MUFFLER



OPTIONAL FLEX TUBE 0155-4141-01

1099 [43] DUCT ADAPTER STANDARD

230 [9]

CG

DUCT ADAPTER STANDARD

| UNLESS OTHERWISE SPECIFIED, ALL DIMENSIONS ARE IN MILLIMETERS | | DIM | |
|---|-------------------------|-------------|-------------|
| X ± 1 | 0.00- 4.99 +0.15/-0.08 | 0.00- 4.99 | +0.15/-0.08 |
| .X ± 0.8 | 5.00- 9.99 +0.20/-0.10 | 5.00- 9.99 | +0.20/-0.10 |
| .XX ± 0.38 | 10.00-17.49 +0.25/-0.13 | 10.00-17.49 | +0.25/-0.13 |
| | 17.50-24.99 +0.30/-0.13 | 17.50-24.99 | +0.30/-0.13 |

| | | | | | |
|---|--------------------|------------------|------------------|--|---------------|
| SIM TO | DO NOT SCALE PRINT | DWN R HALVERSON | CRD E KROHNFELDT | APVD E KROHNFELDT | DATE 07-27-04 |
| | | | | CUMMINS POWER GENERATION GENSET OUTLINE | |
| CONFIDENTIAL - PROPERTY OF CUMMINS POWER GENERATION GROUP FOR INTERPRETATION OF DIMENSIONS AND TOLERANCING, SEE ASME Y14.5M-1994 | | SITE CODE PGA | | SHEET 1 OF 9 REV M | |

GGHG/GGHH BEGINNING @ SPEC L

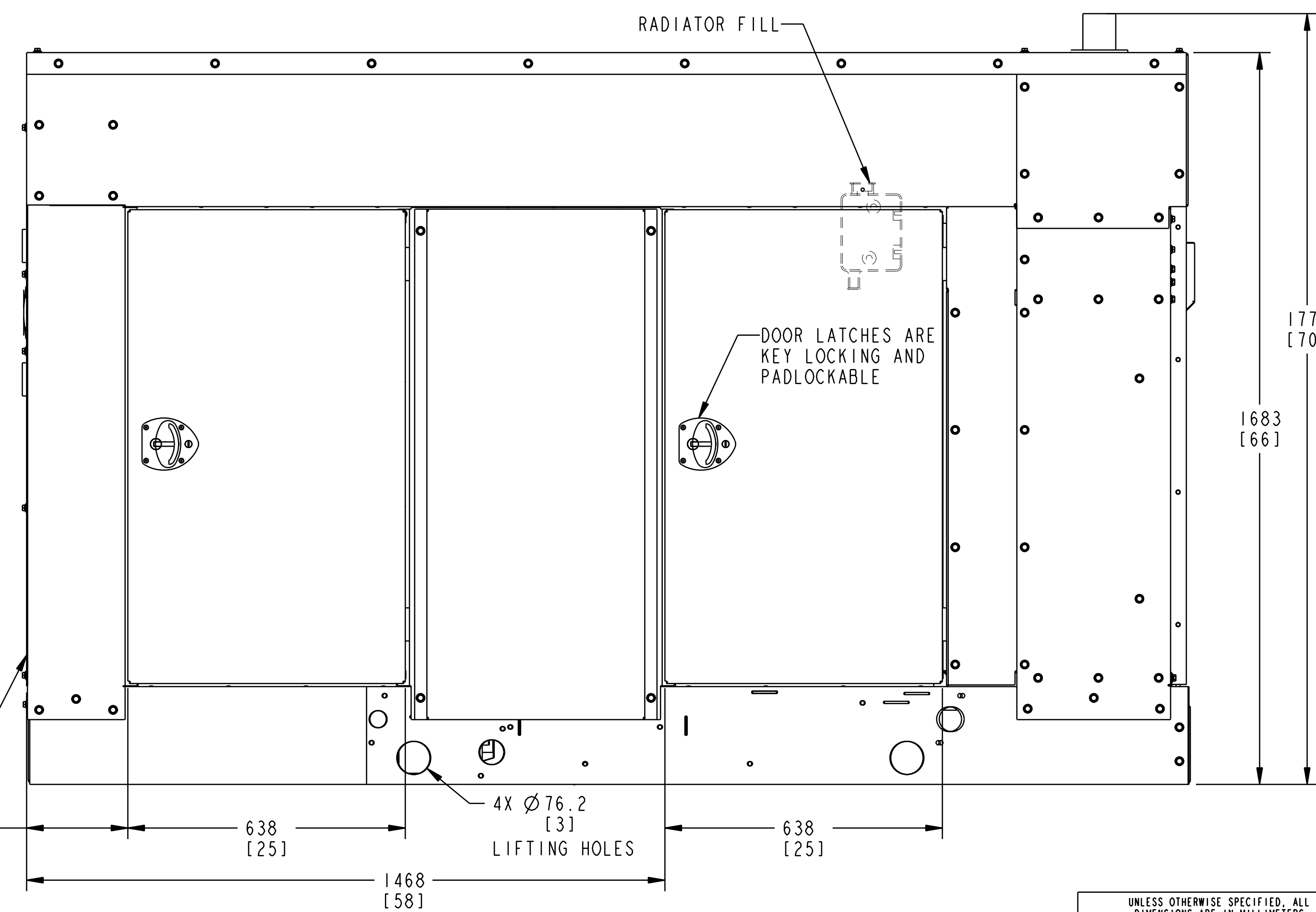
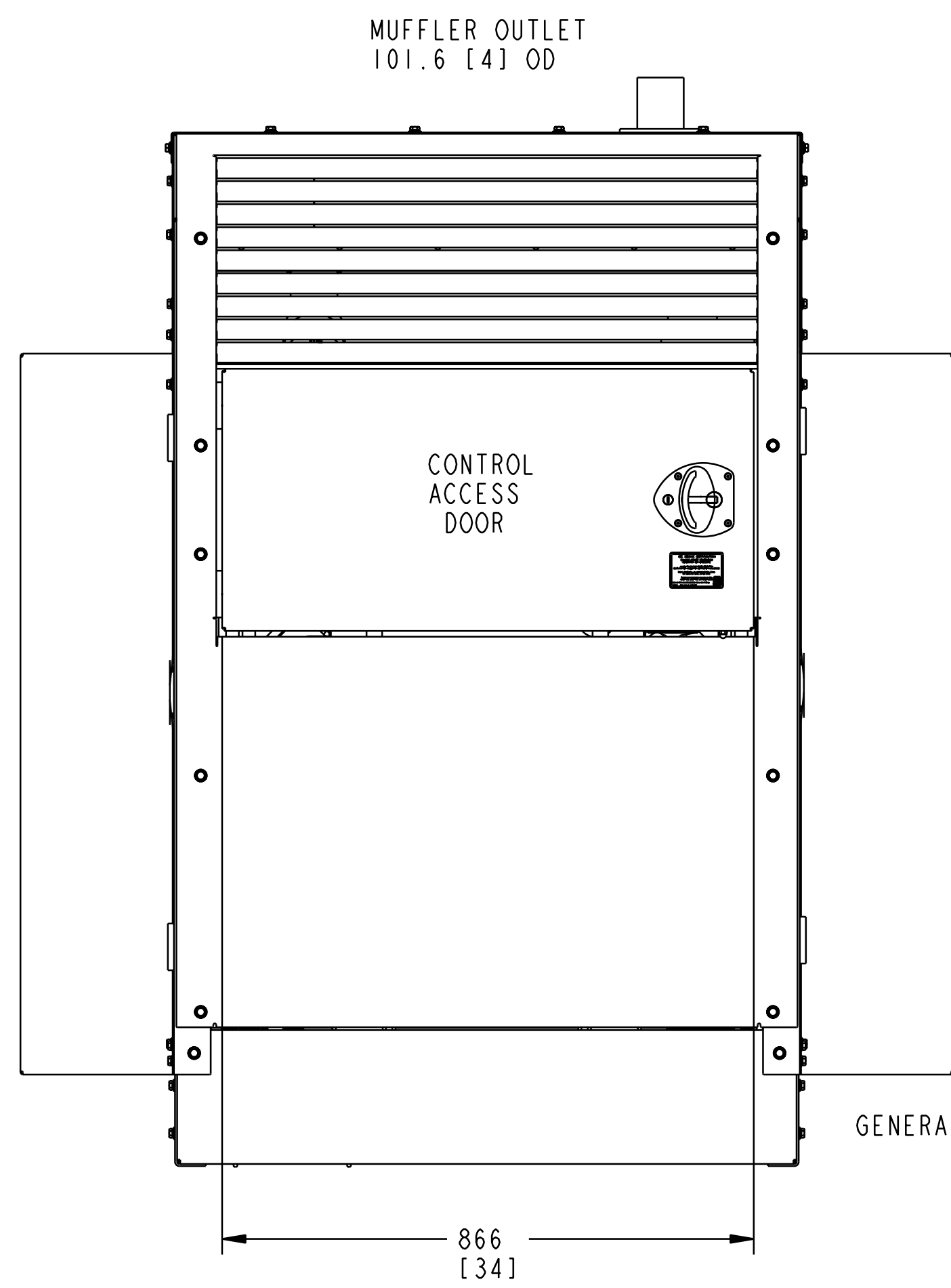
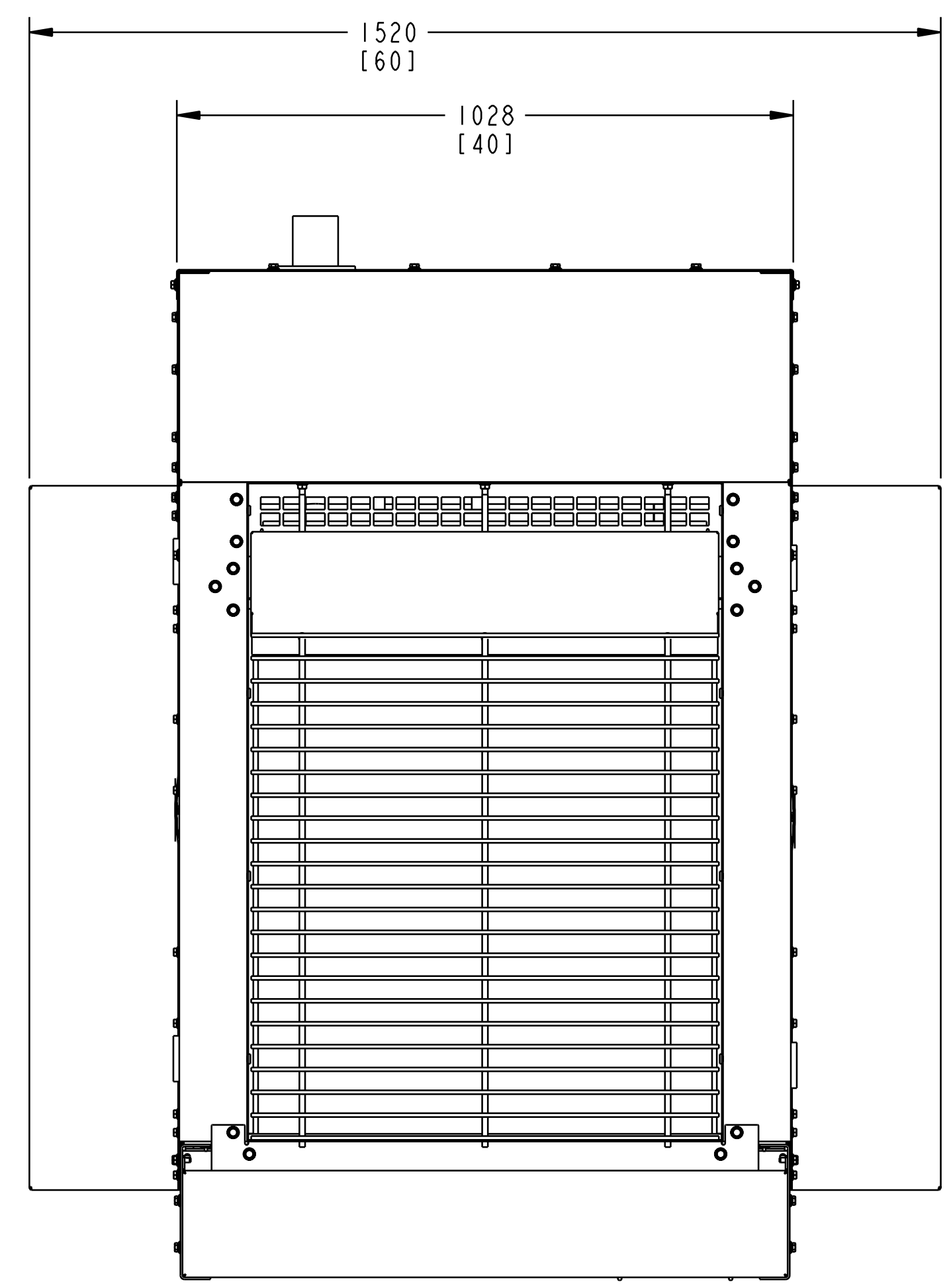
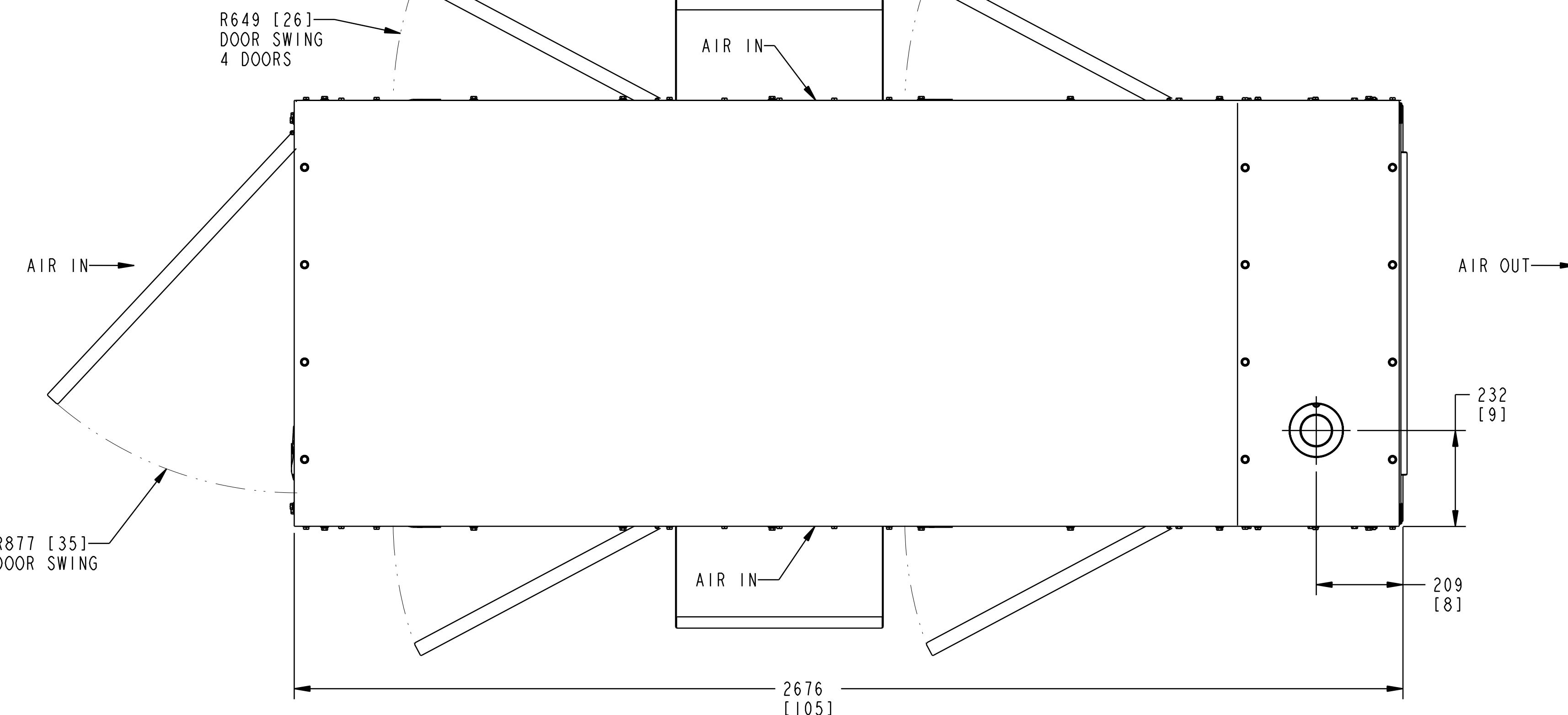
| REL NO | LTR | NO | REVISION | DWN | CRD | APVD | DATE |
|------------|-----|----|----------|-----|-----|--------|---------|
| ECO-119183 | M | -- | ----- | CJF | AF | FELBER | 01SEP11 |
| | | | | | | | |
| | | | | | | | |

NOTES:

1. DIMENSIONS SHOWN IN [] ARE INCHES.
2. HOUSING AND MUFFLER WEIGHT: 322kg (710lbs)
3. THE CENTER OF GRAVITY (CG) SHIFTS APPROXIMATELY 25.4 (1) TO THE REAR AND 12.7 (.5) UP COMPARED TO THE UNHOUSED PRODUCT.

D
C
B
A

D
C
B
A



SOUND HOUSING W/MUFFLER (F172)

| UNLESS OTHERWISE SPECIFIED, ALL DIMENSIONS ARE IN MILLIMETERS | |
|---|-------------------------|
| DIM | TOLERANCE |
| X ± 1 | 0.00- 4.99 +0.15/-0.08 |
| .X ± 0.8 | 5.00- 9.99 +0.20/-0.10 |
| .XX ± 0.38 | 10.00-17.49 +0.25/-0.13 |
| | 17.50-24.99 +0.30/-0.13 |

| | | |
|---|--------------------|-------------------|
| SIM TO | DO NOT SCALE PRINT | DWN R HALVERSON |
| | | CRD E KROHNFELDT |
| | | APVD E KROHNFELDT |
| | | DATE 07-27-04 |
| | | SITE CODE |
| <small>PROPERTY OF CUMMINS POWER GENERATION GROUP</small> | | PGA |

| | |
|--------------------------|-------|
| CUMMINS POWER GENERATION | |
| GENSET OUTLINE | |
| PGM SIZE | D |
| 0500_4087 | |
| SHEET 4 of 9 | REV M |

0500_4087

| REL NO | LTR | NO | REVISION | DWN | CRD | APVD | DATE |
|------------|-----|----|---|-----|-----|--------|---------|
| ECO-119183 | M | 4 | UPDATED FUEL SYS GEOM TO CURRENT NSPS 2 | CJF | AF | FELBER | 01SEP11 |
| | | | | | | | |
| | | | | | | | |

COOLANT HEATER CONNECTION

NEMA 5-15P



"11P" 120V HEATER (H036)
1500 WATT

OR



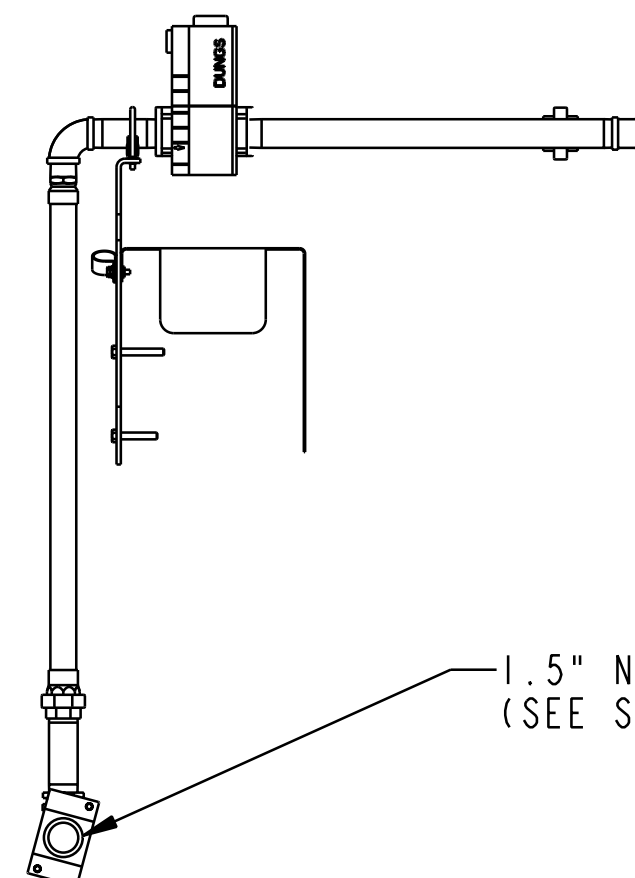
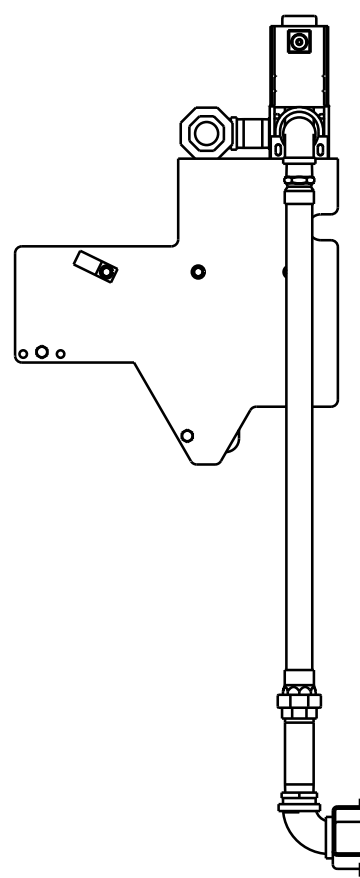
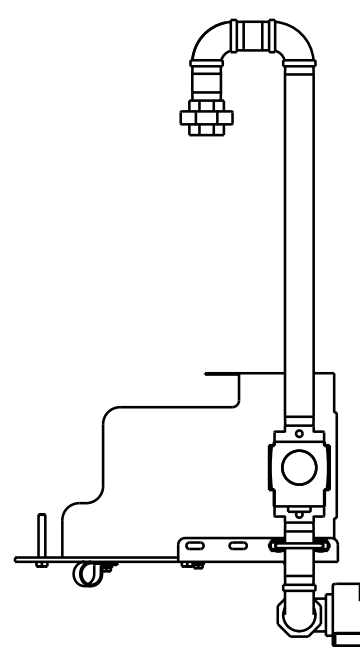
"21P" 208/240V HEATER (H074)
1125/1500 WATT

NEMA 6-15P

HEATER SUPPLIED WITH 1219 [48] LONG CORD.

ENGINE COOLANT HEATER (H036 & H074)

NATURAL GAS (C002)



1.5" NPT SKID MOUNTED NATURAL GAS INLET
(SEE SHEET 1 FOR LOCATION DIMENSIONS)

| UNLESS OTHERWISE SPECIFIED, ALL DIMENSIONS ARE IN MILLIMETERS | | | |
|---|--------|---------------|-------------|
| DIM | | TOLERANCE | |
| X | ± 1 | 0.00 - 4.99 | +0.15/-0.08 |
| .X | ± 0.8 | 5.00 - 9.99 | +0.20/-0.10 |
| .XX | ± 0.38 | 10.00 - 17.49 | +0.25/-0.13 |
| | | 17.50 - 24.99 | +0.30/-0.13 |
| ANG TOL: ± 1.0° | | SCALE: 1/8 | |

| | |
|--|--------------------|
| SIM TO | DO NOT SCALE PRINT |
| | |
| <small>CONFIDENTIAL - PROPERTY OF CUMMINS POWER GENERATION GROUP</small> | |

| | |
|-----------|--------------|
| DWN | R HALVERSON |
| CRD | E KROHNFELDT |
| APVD | E KROHNFELDT |
| DATE | 07-27-04 |
| SITE CODE | GGHH |

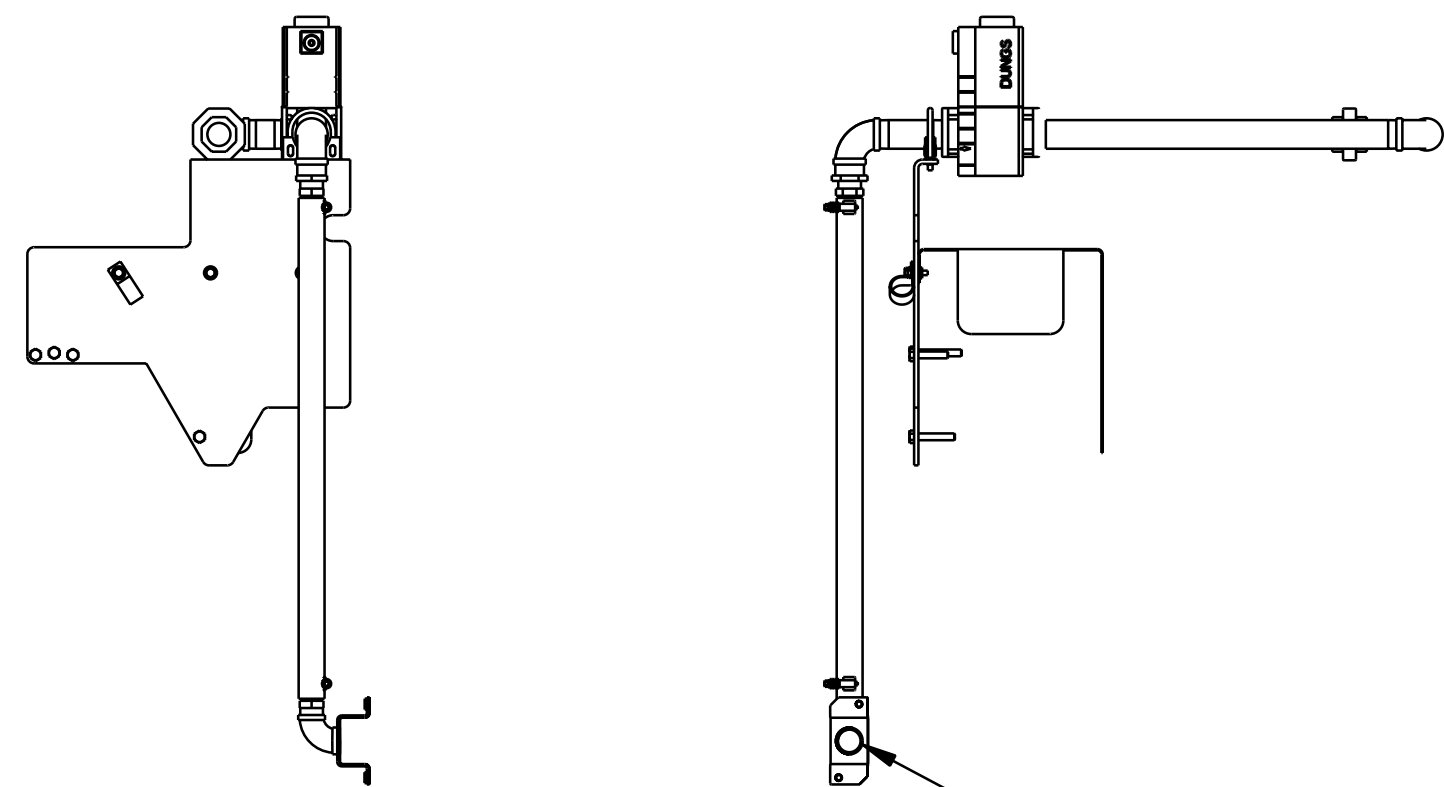
| | |
|--------------------------|--------|
| | |
| CUMMINS POWER GENERATION | |
| GENSET OUTLINE | |
| SHEET | 8 of 9 |
| REV | M |

| | |
|------|-----------|
| SIZE | D |
| NO | 0500_4087 |

0500_4087

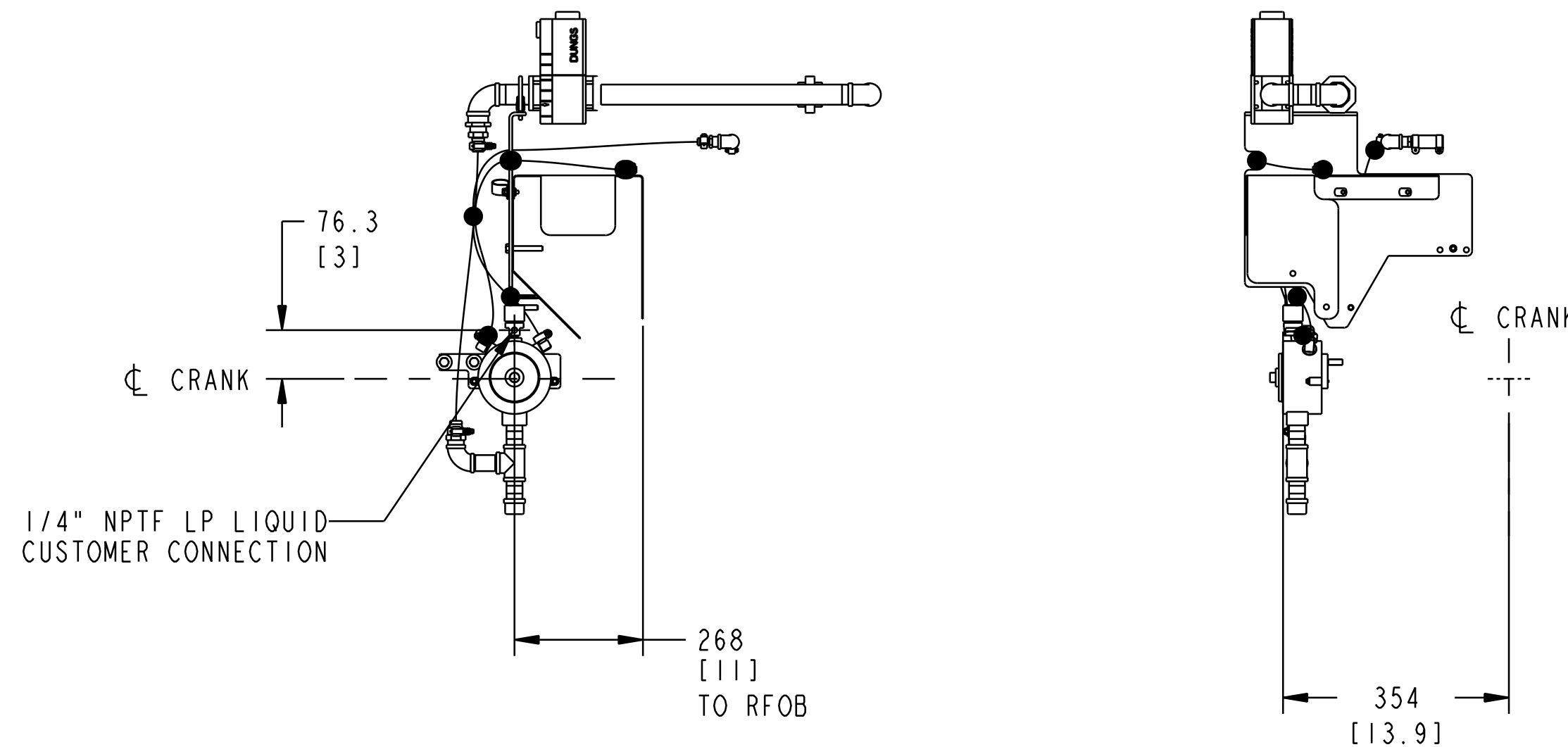
| REL NO | LTR | NO | REVISION | DWN | CRD | APVD | DATE |
|------------|-----|----|---|-----|-----|--------|---------|
| ECO-119183 | M | 5 | UPDATED FUEL SYS GEOM TO CURRENT NSPS 2 | CJF | AF | FELBER | 01SEP11 |
| | | | | | | | |
| | | | | | | | |

PROPANE VAPOR (C099)



1" NPT SKID MOUNTED PROPANE VAPOR INLET
(SEE SHEET 1 FOR LOCATION DIMENSIONS)

PROPANE LIQUID (C053)

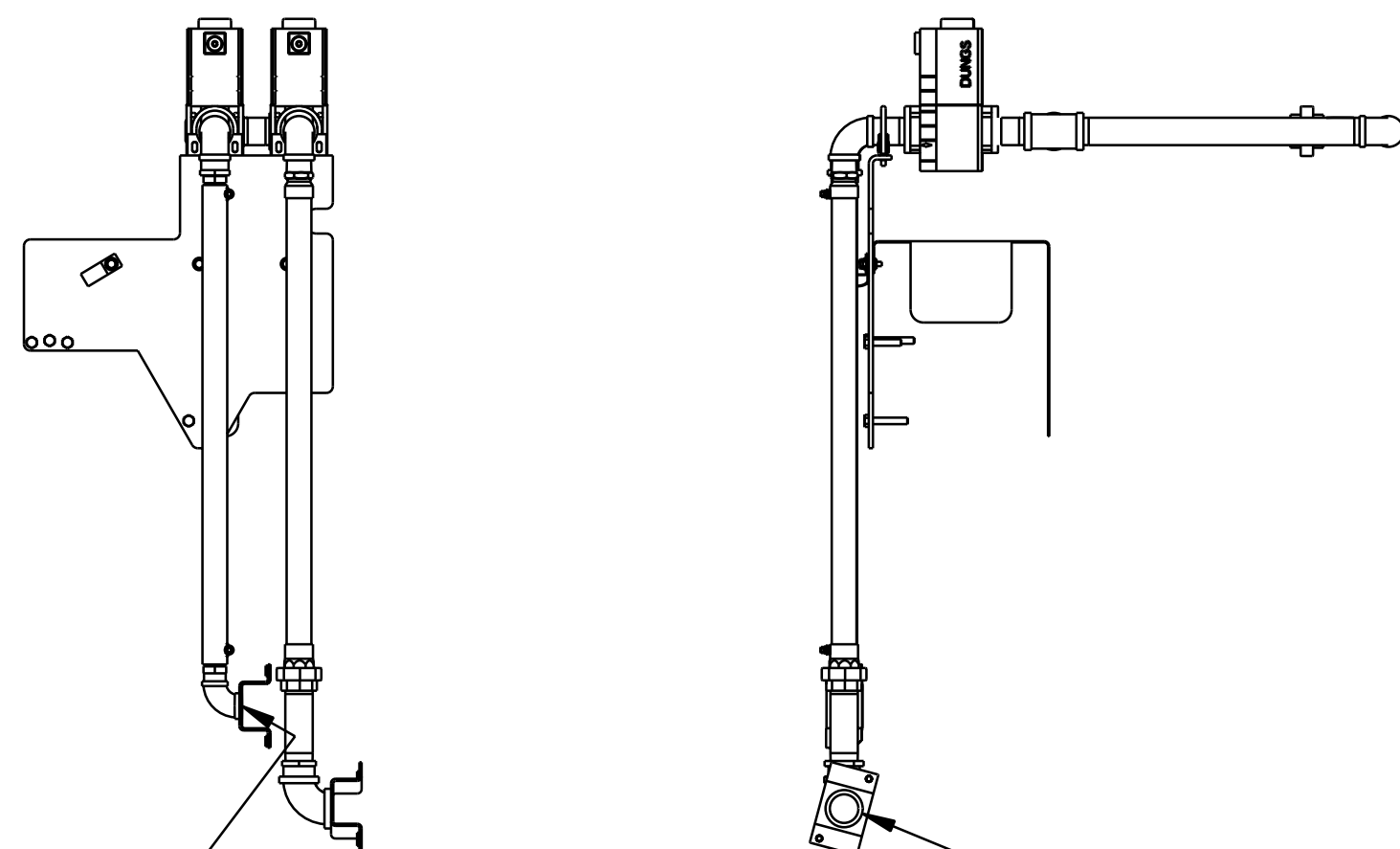


1/4" NPTF LP LIQUID
CUSTOMER CONNECTION

268
[11]
TO RFOB

354
[13.9]

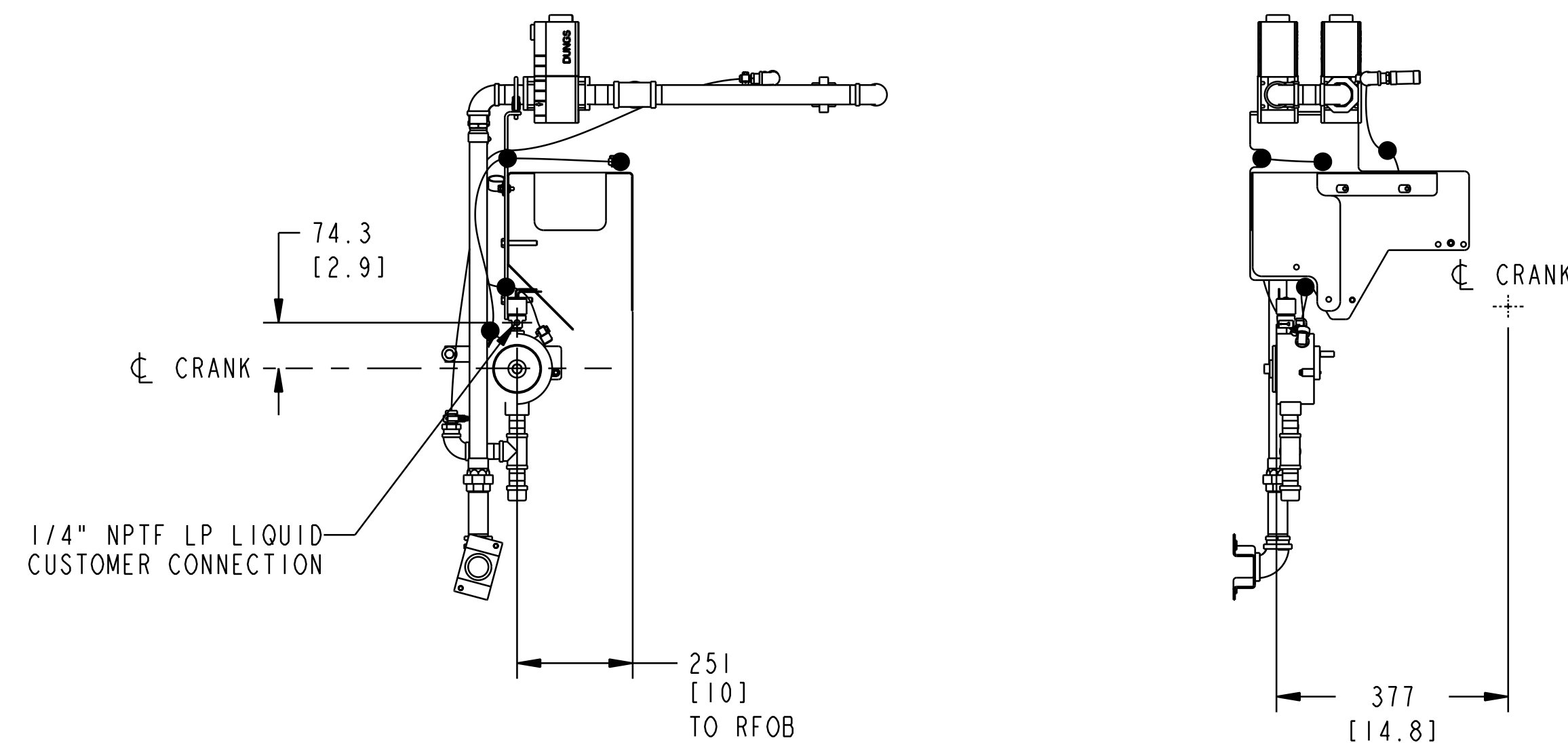
NATURAL GAS/PROPANE VAPOR (C065)



1" NPT SKID MOUNTED PROPANE VAPOR INLET
(SEE SHEET 1 FOR LOCATION DIMENSIONS)

1.5" NPT SKID MOUNTED NATURAL GAS INLET
(SEE SHEET 1 FOR LOCATION DIMENSIONS)

NATURAL GAS/PROPANE LIQUID (C090)



1/4" NPTF LP LIQUID
CUSTOMER CONNECTION

251
[10]
TO RFOB

377
[14.8]

| UNLESS OTHERWISE SPECIFIED, ALL DIMENSIONS ARE IN MILLIMETERS | |
|---|-------------------------|
| DIM | TOLERANCE |
| X ± 1 | 0.00- 4.99 +0.15/-0.08 |
| .X ± 0.8 | 5.00- 9.99 +0.20/-0.10 |
| .XX ± 0.38 | 10.00-17.49 +0.25/-0.13 |
| | 17.50-24.99 +0.30/-0.13 |

| | |
|--|--------------------|
| SIM TO | DO NOT SCALE PRINT |
| | |
| CONFIDENTIAL PROPERTY OF CUMMINS POWER GENERATION GROUP | |

| | |
|--|--------------|
| DWN | R HALVERSON |
| CRD | E KROHNFELDT |
| APVD | E KROHNFELDT |
| DATE | 07-27-04 |
| FOR INTERPRETATION OF DIMENSIONS AND TOLERANCING, SEE ASME Y14.5M-1994 | |

| | |
|-----------|-----|
| SITE CODE | PGA |
|-----------|-----|

| | |
|---|-----------------------|
| CUMMINS POWER GENERATION GENSET OUTLINE | |
| | SHEET 9 of 9 REV M |