

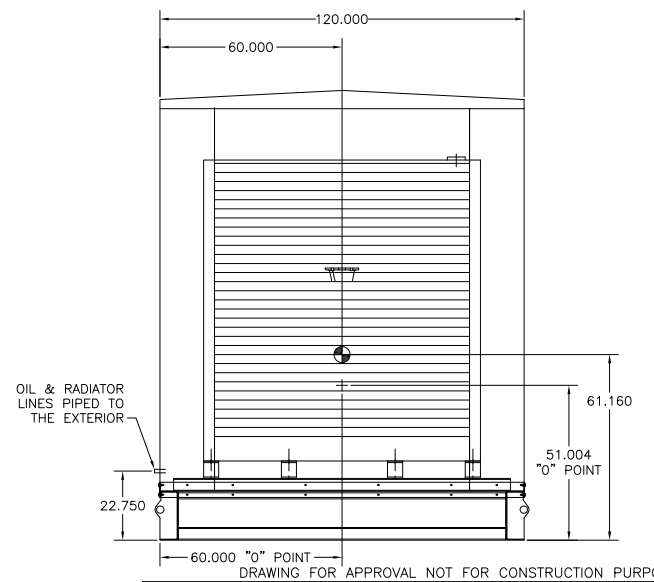
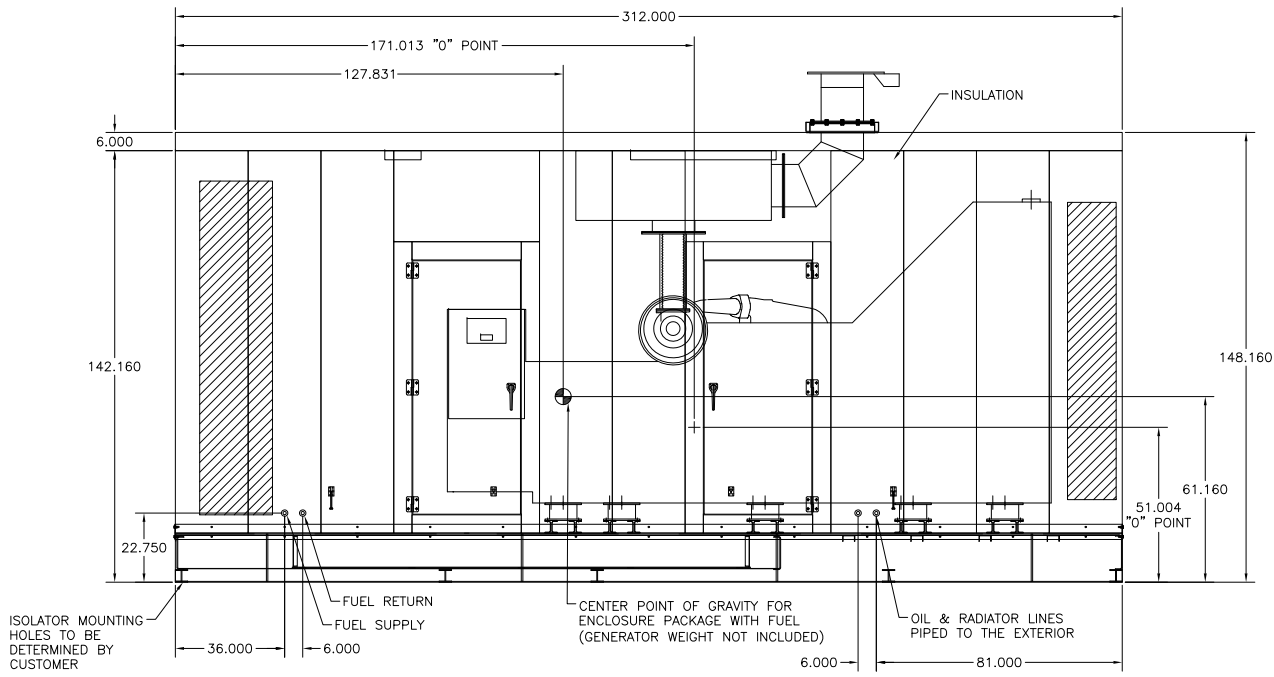
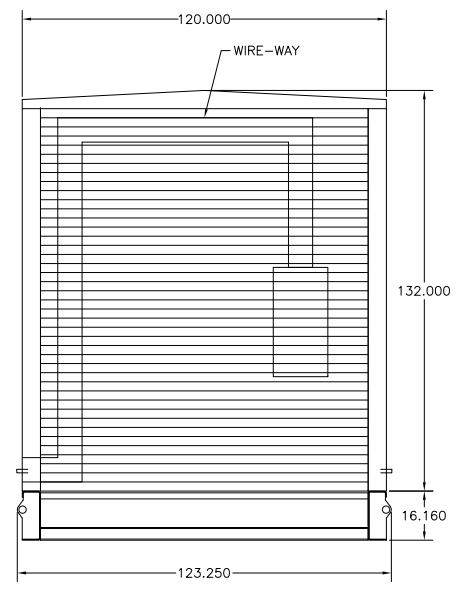
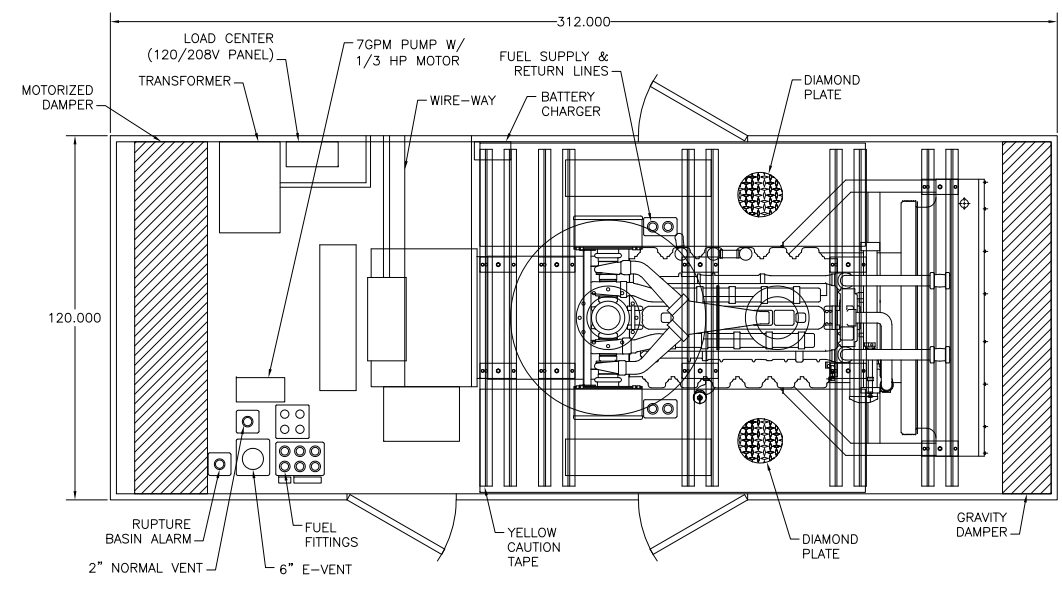
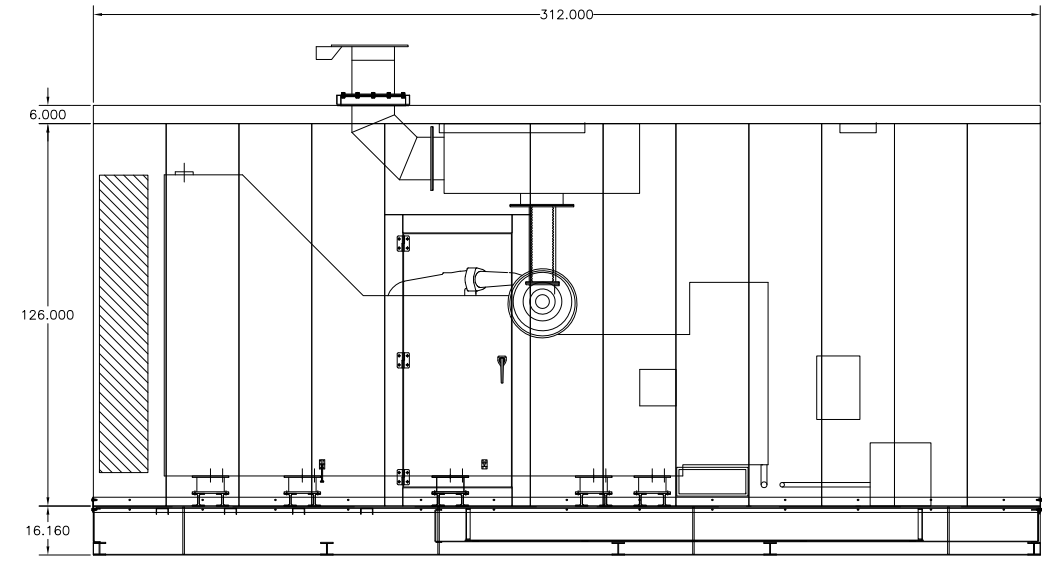
REV.	REVISION DESCRIPTION	DATE	APPROVED BY
A	REVISIONS PER CUSTOMER	7/8/04	AL
B	ADDED WIRE WAY TO DRAWING	8/2/04	AL
C	GENERAL REVISIONS	8/3/04	AL
D	ADDED SKID BASE DRAWING	8/31/04	AL
E	REVISED SKID BASE DRAWING	9/03/04	TF
F	REVISED SKID BASE DRAWING	9/03/04	TF
G	UPDATED CENTER POINT OF GRAVITY LOCATION	9/8/04	AL
H	UPDATED SILENCER PER CUSTOMER	9/10/04	AL

**NOTES:**

- ENCLOSURE USE- GENERATOR: 3512-B, 1250KW  
 - DIMENSIONS: 312L X 120W X 126H  
 - EXHAUST HEIGHT: 161.95"H  
 - GENERATOR WEIGHT: 25,450 LBS.  
 - MATERIAL: 14 GA GALVANEAL  
 - TYPE: SKIN TIGHT, WEATHER ENCLOSURE  
 - DOORS: 3 W/ STAINLESS LIFT OFF HINGES  
 - DOOR SIZE: 36W X 84H  
 - DOOR LATCH TYPE: PAD LOCKABLE
- TOTAL AIRFLOW REQUIRED: 61,000 CFM
- BASE TYPE: 660 GALLON UL 142 LISTED FUEL TANK  
 110% CONTAINMENT
- ESTIMATED SHIPPING WEIGHT: 42,000 LBS.  
 ESTIMATED SHIPPING DIMENSIONS: 312L X 123.25W X 149.66H
- ENCLOSURE EXTERIOR COLOR: \_\_\_\_\_ (REFER TO COLOR CHART)
- SILENCER  
 -MAKE: UNIVERSAL  
 -MODEL: 471086F  
 -SIZE:  $\phi$ 14.00  
 -DIAMETER:  $\phi$ 64.4  
 -WEIGHT: 955 LBS.
- ISOLATORS  
 -MAKE: HD SERIES  
 -MODEL: HD-428  
 -OPERATING HEIGHT: 6.5"H  
 -QUANTITY: 10

**ELECTRICAL PACKAGE:**

RCE SUPPLY	CARTER MACHINERY SUPPLY	
X	X	BATTERY CHARGER
3		LOAD CENTER 150A, 3 $\phi$ , 120/208V
2		4' FLORESCENT LIGHTS
3		3-WAY LIGHT SWITCH
X		GFI RECEPTACLES
1		WIRE DAMPER MOTORS
X		TRANSFORMER
X		ALL WIRING IN EMT CONDUIT



APPROVED AS DRAWN  APPROVED AS NOTED  REVISE AS NOTED, RESUBMIT

SIGNATURE \_\_\_\_\_ DATE \_\_\_\_\_

**ROBINSON CUSTOM ENCLOSURES**

1250KW UNIT ASSEMBLY

PART # \_\_\_\_\_

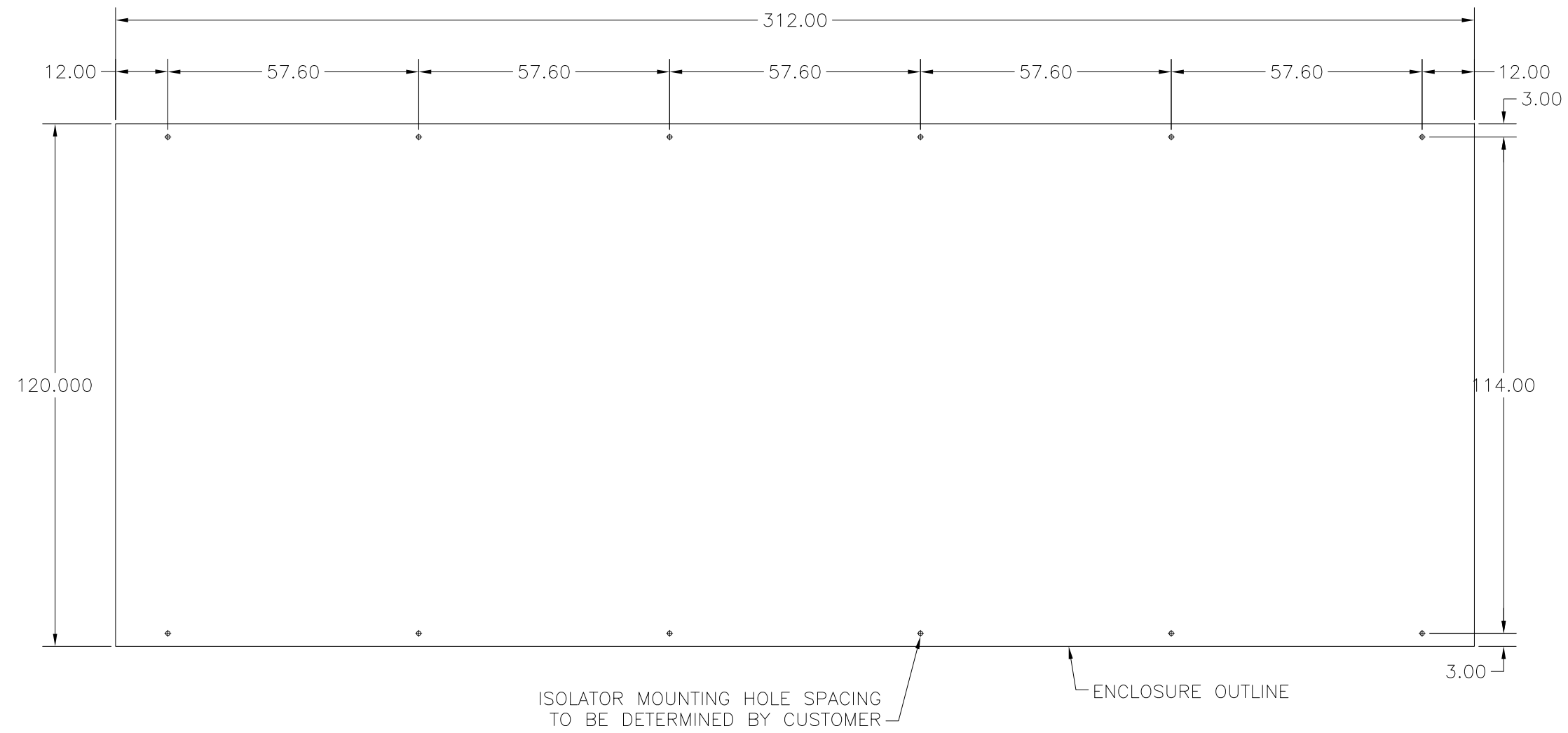
REFERENCE # 330-H REV: H

CUSTOMER # CARTER MACHINERY

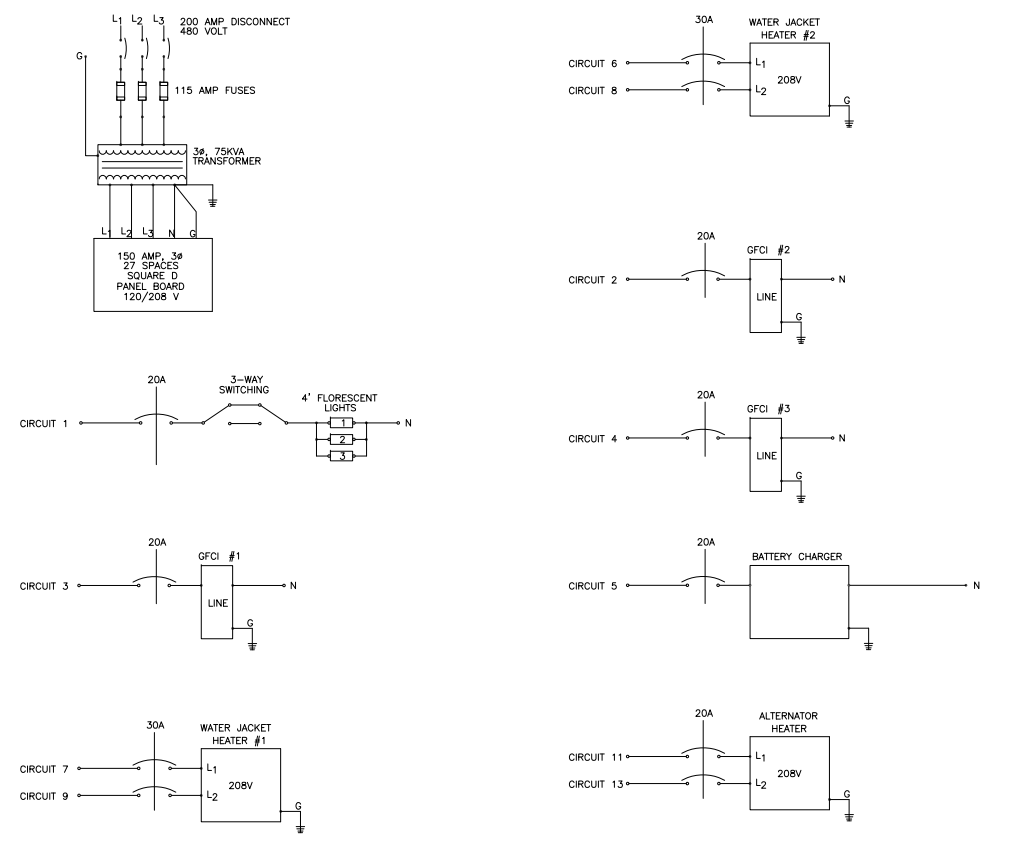
APPROVALS	DATE	UNLESS OTHERWISE SPECIFIED
DRAWN BY: A LUCIA	7/1/04	DIMENSIONS ARE IN INCHES
CHECKED BY:		TOLERANCES
SCALE: FULL		DECIMALS FRACTIONS
SHEET SIZE: C		X .001 .002 .005 .010 .020 .030 .050 .100 .150 .200 .300 .500 .750 1.000
SHEET # 1 of 5		SURFACE FINISH ANGLES

THE DATA CONTAINED HEREIN IS PROPRIETARY AND CONFIDENTIAL. APPROVAL OR DISTRIBUTION OF ANY PART REQUIRES WRITTEN CONSENT OF ROBINSON CUSTOM ENCLOSURES. THE DATA IS THE PROPERTY OF ROBINSON CUSTOM ENCLOSURES AND ITS SUCCESSORS. CONSENT IS GRANTED TO USE OR TO REPRODUCE IT TO OTHERS FOR ANY PURPOSE WHATSOEVER. ALL RIGHTS RESERVED.

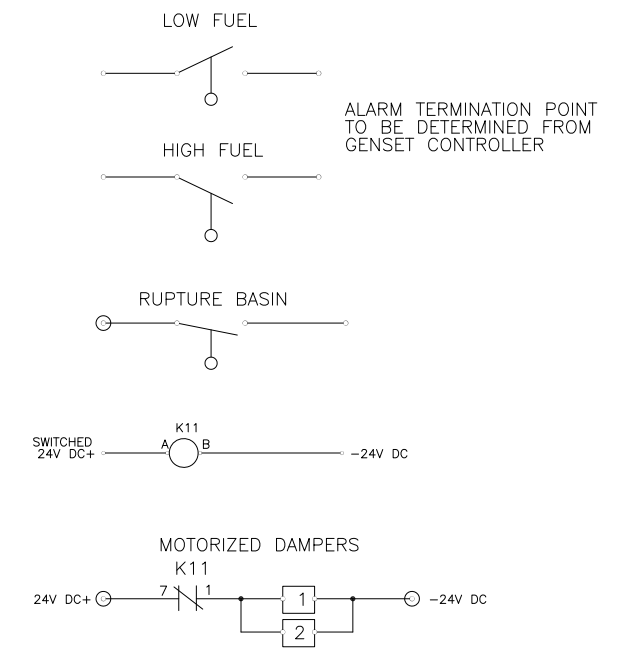
REV.	REVISION DESCRIPTION	DATE	APPROVED BY
A	REVISIONS PER CUSTOMER	7/8/04	AL
B	ADDED WIRE WAY TO DRAWING	8/2/04	AL
C	GENERAL REVISIONS	8/31/04	AL
D	ADDED SKID BASE DRAWING	8/31/04	AL
E	REVISED SKID BASE DRAWING	9/03/04	TF
F	REVISED SKID BASE DRAWING	9/03/04	TF
G	UPDATED CENTER POINT OF GRAVITY LOCATION	9/8/04	AL
H	UPDATED SILENCER PER CUSTOMER	9/10/04	AL



AC ELECTRICAL



DC ELECTRICAL



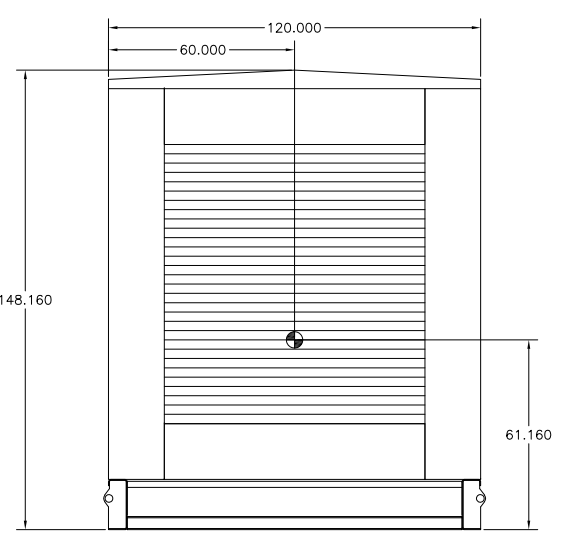
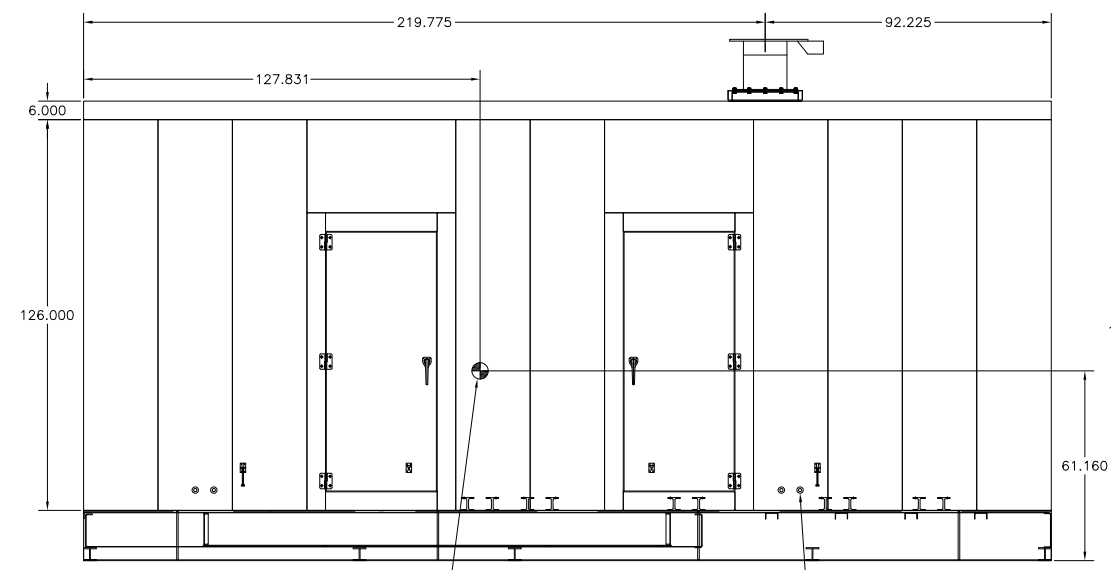
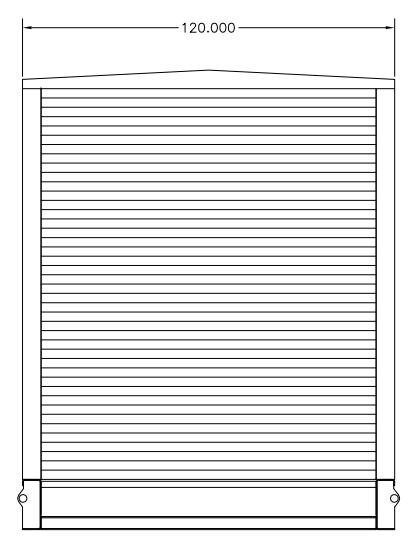
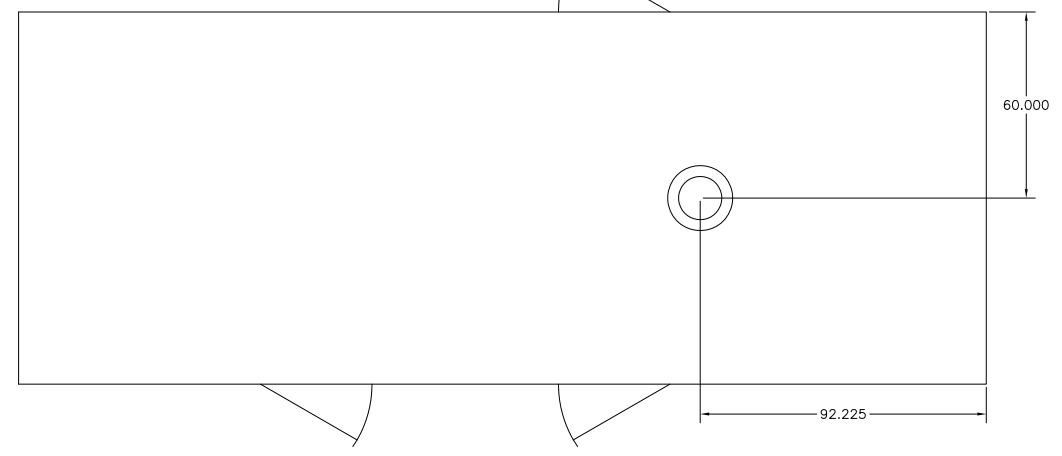
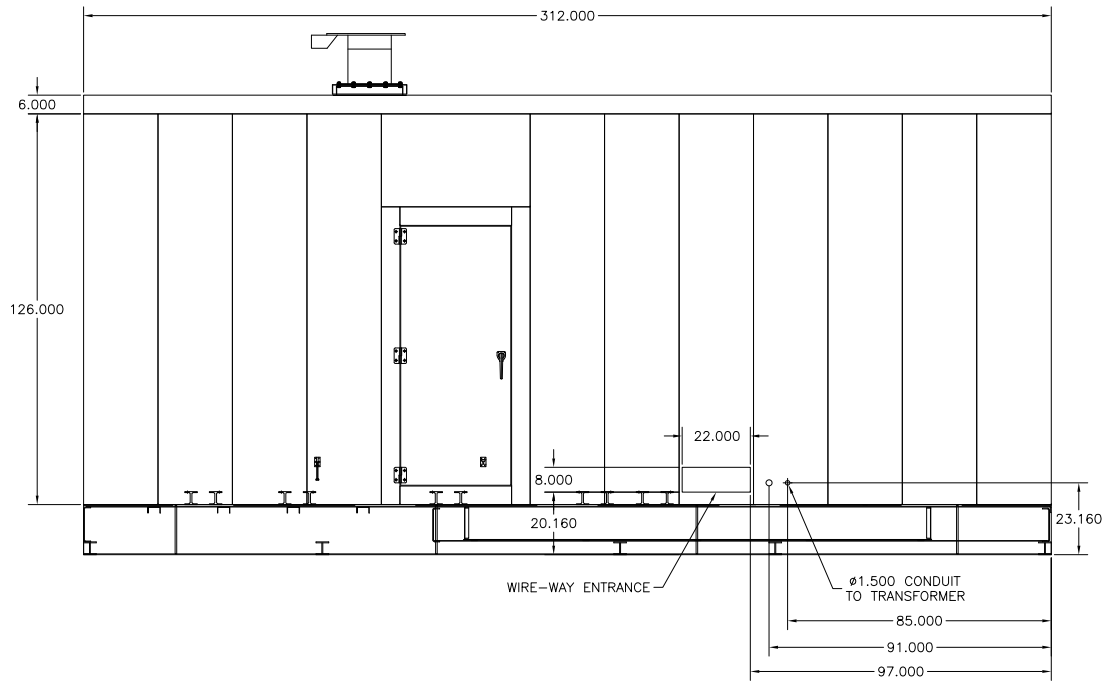
DRAWING FOR APPROVAL NOT FOR CONSTRUCTION PURPOSES

APPROVED AS DRAWN	<input type="checkbox"/>	PAD LAYOUT	
APPROVED AS NOTED	<input type="checkbox"/>	PART #:	
REVISE AS NOTED, RESUBMIT	<input type="checkbox"/>	REFERENCE # 330-H	REV: H
SIGNATURE	DATE	CUSTOMER # CARTER MACHINERY	
		APPROVALS	DATE
		DRAWN BY: A LUCIA	7/1/04
		CHECKED BY:	
		SCALE: FULL	
		SHEET SIZE: C	
		SHEET #:	2 of 5

UNLESS OTHERWISE SPECIFIED DIMENSIONS ARE IN INCHES  
DECIMALS FRACTIONS  
X .00 1/32  
XX .005 1/64  
XXX .015 1/16  
SURFACE FINISH ANGLES  
✓ 90

THE DATA CONTAINED HEREIN IS PROPRIETARY AND CONFIDENTIAL. REPRODUCTION OR DISTRIBUTION OF ANY PART THEREOF WITHOUT THE WRITTEN CONSENT OF ROBINSON CUSTOM ENCLOSURES, THE DATA IS THE PROPERTY OF ROBINSON CUSTOM ENCLOSURES AND ITS POSSESSION CONFERES NO LICENSE TO USE OR TO DISCLOSE IT TO OTHERS FOR ANY PURPOSE WHATSOEVER. ALL RIGHTS RESERVED.

REV.	REVISION DESCRIPTION	DATE	APPROVED BY
A	REVISIONS PER CUSTOMER	7/8/04	AL
B	ADDED WIRE WAY TO DRAWING	8/2/04	AL
C	GENERAL REVISIONS		
D	ADDED SKID BASE DRAWING	8/31/04	AL
E	REVISED SKID BASE DRAWING	9/03/04	TF
F	REVISED SKID BASE DRAWING	9/03/04	TF
G	UPDATED CENTER POINT OF GRAVITY LOCATION	9/8/04	AL
H	UPDATED SILENCER PER CUSTOMER	9/10/04	AL



DRAWING FOR APPROVAL NOT FOR CONSTRUCTION PURPOSES

APPROVED AS DRAWN	<input type="checkbox"/>	ENCLOSURE DRAWING	
APPROVED AS NOTED	<input type="checkbox"/>	PART #:	
REVISE AS NOTED, RESUBMIT	<input type="checkbox"/>	REFERENCE # 330-H	REV: H
SIGNATURE	DATE	CUSTOMER # CARTER MACHINERY	
		APPROVALS	DATE
		DRAWN BY: A LUCIA	7/1/04
		CHECKED BY:	
		SCALE: FULL	
		SHEET SIZE: C	
		SHEET #: 3 of 5	

UNLESS OTHERWISE SPECIFIED DIMENSIONS ARE IN INCHES

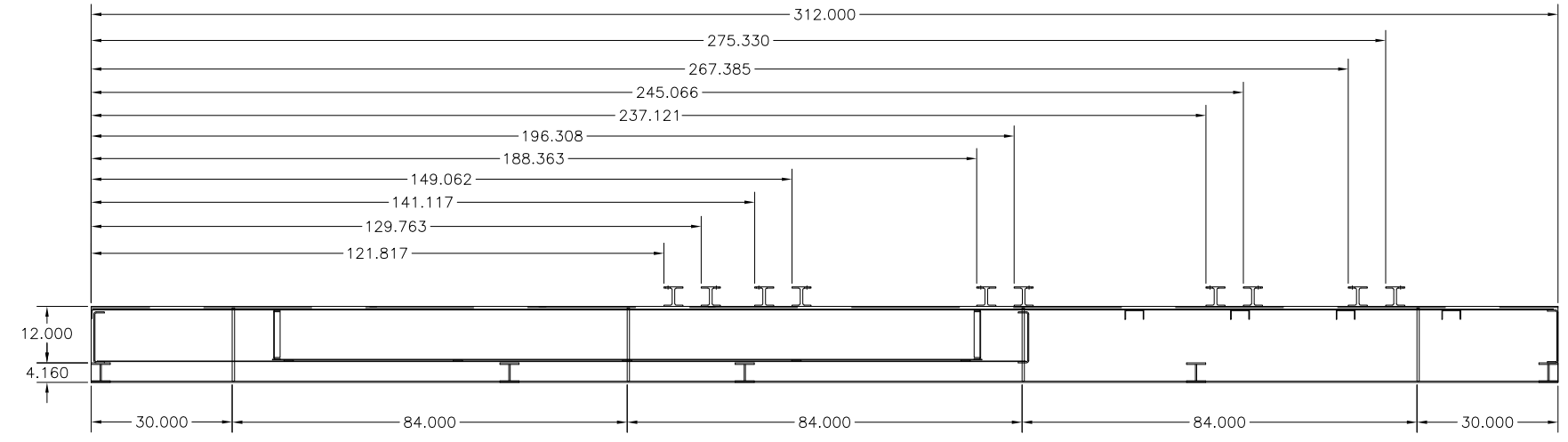
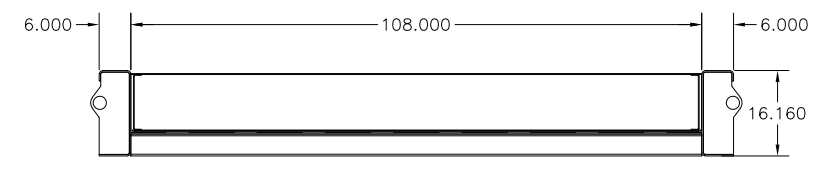
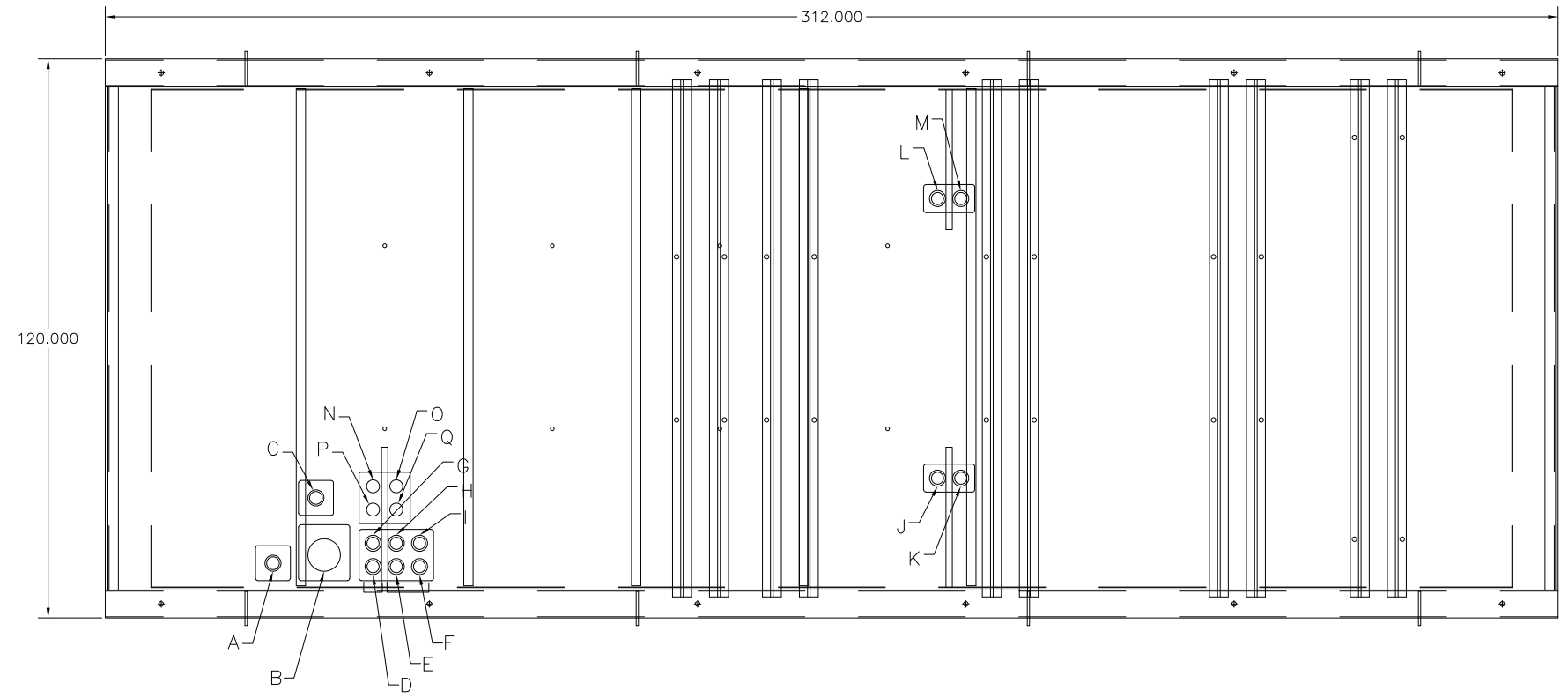
DECIMALS	FRACTIONS
XX .XX	1/32
XXX .XXX	1/16
	1/8
	3/16
	1/4
	3/8
	1/2
	3/4
	1

THE DATA CONTAINED HEREIN IS PROPRIETARY AND CONFIDENTIAL. REPRODUCTION OR DISTRIBUTION OF ANY PART THEREOF WITHOUT THE WRITTEN CONSENT OF ROBINSON CUSTOM ENCLOSURES, THE DATA IS THE PROPERTY OF ROBINSON CUSTOM ENCLOSURES AND ITS POSSESSION CONFERES NO LICENSE TO USE OR TO DISCLOSE IT TO OTHERS FOR ANY PURPOSE WHATSOEVER. ALL RIGHTS RESERVED.

REV.	REVISION DESCRIPTION	DATE	APPROVED BY
A	REVISIONS PER CUSTOMER	7/8/04	AL
B	ADDED WIRE WAY TO DRAWING	8/2/04	AL
C	GENERAL REVISIONS	8/3/04	AL
D	ADDED SKID BASE DRAWING	8/31/04	AL
E	REVISED SKID BASE DRAWING	9/03/04	TF
F	REVISED SKID BASE DRAWING	9/03/04	TF
G	UPDATED CENTER POINT OF GRAVITY LOCATION	9/8/04	AL
H	UPDATED SILENCER PER CUSTOMER	9/10/04	AL

FUEL TANK: UL 142 LISTED: YES  
 CAPACITY: 660 GALLONS  
 TANK STYLE: CLOSED TOP DIKE  
 CONTAINMENT: 110%  
 OUTER WALLS: 1/4" P&O  
 INNER TANK: 10 GA P&O  
 TOP: 7 GA P&O

- FITTINGS:
- A 2" NPT RUPTURE BASIN ALARM
  - B 6" NPT EMERGENCY VENT
  - C 2" NPT NORMAL VENT
  - D 2" NPT FUEL FILL
  - E 2" NPT FUEL GAUGE
  - F 2" NPT FITTING (EXTRA)
  - G 2" NPT FITTING (EXTRA)
  - H 2" NPT LOW FUEL ALARM
  - I 2" NPT FITTING (EXTRA)
  - J 2" NPT GENERATOR FUEL SUPPLY
  - K 2" NPT GENERATOR FUEL RETURN
  - L 2" NPT FITTING (EXTRA)
  - M 2" NPT FITTING (EXTRA)
  - N 2" NPT 60% FUEL FULL FORWARD PUMP ON
  - O 2" NPT 80% FUEL FULL FORWARD PUMP OFF
  - P 2" NPT 85% FUEL FULL REVERSE PUMP OFF
  - Q 2" NPT 90% FUEL FULL REVERSE PUMP ON



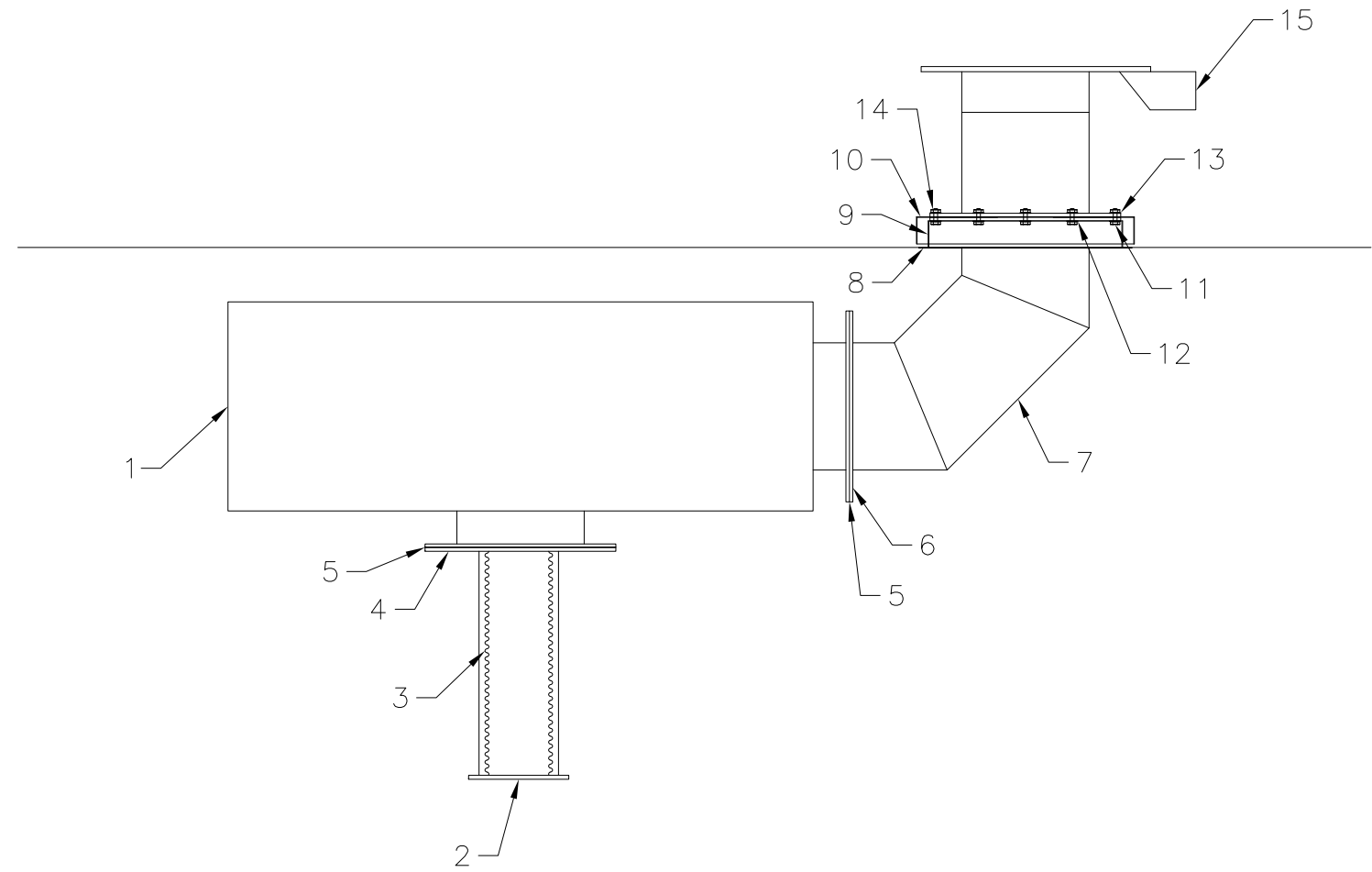
DRAWING FOR APPROVAL NOT FOR CONSTRUCTION PURPOSES

APPROVED AS DRAWN <input type="checkbox"/>		TANK DETAIL	
APPROVED AS NOTED <input type="checkbox"/>		PART #:	
REVISE AS NOTED, RESUBMIT <input type="checkbox"/>		REFERENCE # 330-H	REV: H
SIGNATURE _____ DATE _____		CUSTOMER # CARTER MACHINERY	
		APPROVALS	DATE
		DRAWN BY: A LUCIA	7/1/04
CHECKED BY:		UNLESS OTHERWISE SPECIFIED	DRAWINGS ARE IN INCHES
SCALE: FULL		DECIMALS	FRACTIONS
SHEET SIZE: C		1/8	1/2
SHEET # 4 of 5		3/16	5/8
		1/4	1 1/4
		1/2	2
		3/4	3
		1	4
		1 1/4	5
		1 1/2	6
		1 3/4	7
		2	8
		2 1/4	9
		2 1/2	10
		2 3/4	11
		3	12
		3 1/4	13
		3 1/2	14
		3 3/4	15
		4	16
		4 1/4	17
		4 1/2	18
		4 3/4	19
		5	20
		5 1/4	21
		5 1/2	22
		5 3/4	23
		6	24
		6 1/4	25
		6 1/2	26
		6 3/4	27
		7	28
		7 1/4	29
		7 1/2	30
		7 3/4	31
		8	32
		8 1/4	33
		8 1/2	34
		8 3/4	35
		9	36
		9 1/4	37
		9 1/2	38
		9 3/4	39
		10	40

THE DATA CONTAINED HEREIN IS PROPRIETARY AND CONFIDENTIAL. REPRODUCTION OR DISTRIBUTION OF ANY PART THEREOF WITHOUT THE WRITTEN CONSENT OF ROBINSON CUSTOM ENCLOSURES, THE DATA IS THE PROPERTY OF ROBINSON CUSTOM ENCLOSURES AND ITS POSSESSION CONFERS NO LICENSE TO USE OR TO REPRODUCE IT TO OTHERS FOR ANY PURPOSE WHATSOEVER. ALL RIGHTS RESERVED.

REV.	REVISION DESCRIPTION	DATE	APPROVED BY
A	REVISIONS PER CUSTOMER	7/8/04	AL
B	ADDED WIRE WAY TO DRAWING	8/2/04	AL
C	GENERAL REVISIONS		
D	ADDED SKID BASE DRAWING	8/31/04	AL
E	REVISED SKID BASE DRAWING	9/03/04	TF
F	REVISED SKID BASE DRAWING	9/03/04	TF
G	UPDATED CENTER POINT OF GRAVITY LOCATION	9/8/04	AL
H	UPDATED SILENCER PER CUSTOMER	9/10/04	AL

ITEM #	DESCRIPTION	SUPPLIED BY	PART NUMBER	QTY.
1	SILENCER	ROBINSON CUSTOM ENCLOSURES	UNIVERSAL #471086F	1
2	8" CAT FLANGE	ROBINSON CUSTOM ENCLOSURES	DRCE6500037	1
3	FLEX	ROBINSON CUSTOM ENCLOSURES	-	1
4	14" TO 8" FLANGE	ROBINSON CUSTOM ENCLOSURES	DRCE6500042	1
5	14" SLIP RING	ROBINSON CUSTOM ENCLOSURES	DRCE6600000	3
6	14" STD FLANGE	ROBINSON CUSTOM ENCLOSURES	DRCE6500003	3
7	14" 90° ELBOW	ROBINSON CUSTOM ENCLOSURES	DRCE6400002	1
8	EXHAUST RING	ROBINSON CUSTOM ENCLOSURES	DRCE6700050	1
9	EXHAUST SLEEVE	ROBINSON CUSTOM ENCLOSURES	DRCE6700051	1
10	EXHAUST COLLAR	ROBINSON CUSTOM ENCLOSURES	DRCE6700052	1
11	3/4" BOLT	ROBINSON CUSTOM ENCLOSURES	-	-
12	3/4" FLAT WASHER	ROBINSON CUSTOM ENCLOSURES	-	-
13	3/4" LOCK WASHER	ROBINSON CUSTOM ENCLOSURES	-	-
14	3/4" NUT	ROBINSON CUSTOM ENCLOSURES	-	-
15	RAIN CAP	ROBINSON CUSTOM ENCLOSURES	PHILLIPS & TEMRO	1



DRAWING FOR APPROVAL NOT FOR CONSTRUCTION PURPOSES

APPROVED AS DRAWN	<input type="checkbox"/>	EXHAUST DETAIL	
APPROVED AS NOTED	<input type="checkbox"/>	PART #:	
REVISE AS NOTED, RESUBMIT	<input type="checkbox"/>	REFERENCE # 330-H	REV: H
SIGNATURE	DATE	CUSTOMER #	CARTER MACHINERY
		APPROVALS	DATE
		DRAWN BY: A LUCIA	7/1/04
CHECKED BY:		UNLESS OTHERWISE SPECIFIED	DRAWINGS ARE IN INCHES
SCALE: FULL		DECIMALS	FRACTIONS
SHEET SIZE: C		XX	1/2
SHEET #:	5 of 5	XXX	1/4
		SURFACE FINISH	ANGLES
		<input checked="" type="checkbox"/>	90

THE DATA CONTAINED HEREIN IS PROPRIETARY AND CONFIDENTIAL. REPRODUCTION OR DISTRIBUTION OF ANY PART THEREOF WITHOUT THE WRITTEN CONSENT OF ROBINSON CUSTOM ENCLOSURES, THE DATA IS THE PROPERTY OF ROBINSON CUSTOM ENCLOSURES AND ITS POSSESSION, CONVEYANCE OR USE BY ANY OTHER PARTY IS STRICTLY PROHIBITED. ALL RIGHTS RESERVED.