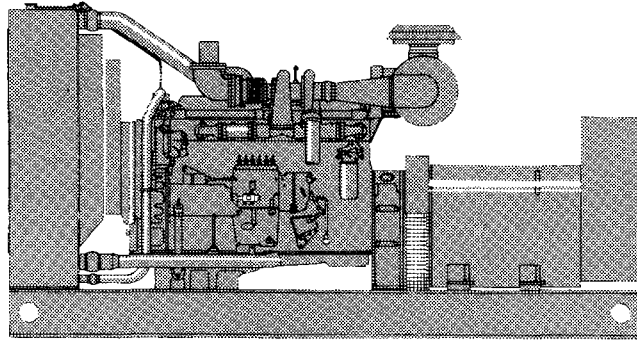


KATOLIGHT® Diesel ENGINE GENERATOR SETS

300 KW 60 Hz

Not available in
50 Hz models



Model Selection / Rating Chart

MODEL NO. @ 60 Hz	STANDBY RATINGS & CHARACTERISTICS					
	KW*	RPM	VOLTS	KVA	PHASE	WIRE
D300FRR4	300	1800	277/480	375	3	12
D300FPR4	300	1800	120/208	375	3	12
D300FJR4	300	1800	120/240	375	3	12
D300FGR4	300	1800	120/240	300	1	12

MODEL NO. @ 50 Hz	STANDBY RATINGS & CHARACTERISTICS					
	KW*	RPM	VOLTS	KVA	PHASE	WIRE
N/A	—	—	—	—	—	—
N/A	—	—	—	—	—	—
N/A	—	—	—	—	—	—
N/A	—	—	—	—	—	—

General Specifications

ENGINE

TYPE: Inline Multi-Cylinder, Turbocharged/Aircharged
 CYCLE: 4 CYLINDER: 6
 H.P.: 437 @ 1800 RPM KW: 326 @ 1800 RPM
 N/A @ 1500 RPM N/A @ 1500 RPM
 BORE: 5.12 in. (13 cm.) STROKE: 6 in. (15.2 cm.)
 PISTON DISPLACEMENT: 743 in.³ (12.2 lit.)
 BMEP: 258 psi (1,784 kPa)
 ASPIRATING: 908 CFM @ 60 Hz (429 lit/sec @ 60 Hz)
 N/A CFM @ 50 Hz (N/A lit/sec @ 50 Hz)
 FUEL CONSUMPTION: 22.4 gal/hr (85 lit/hr)

GENERATOR

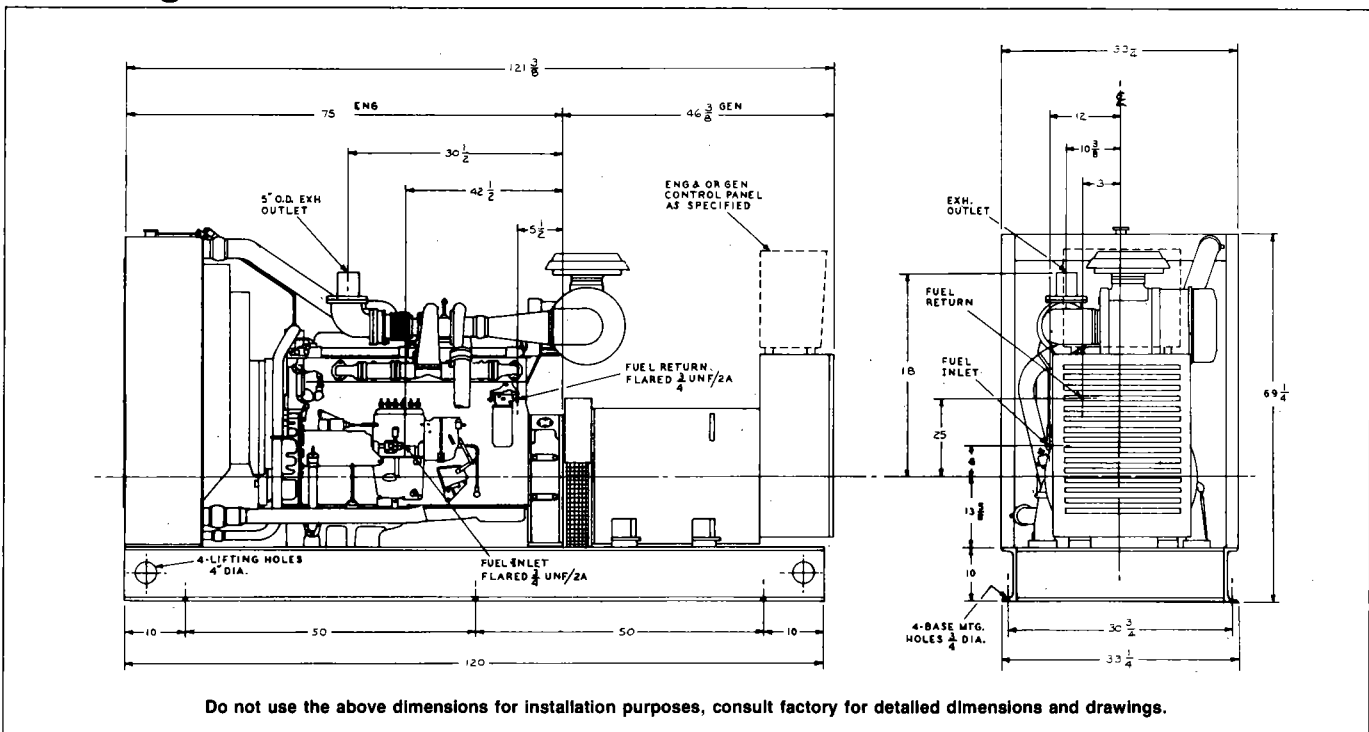
TYPE: Revolving Field-Brushless-Direct Connected Exciter
 CONSTRUCTION: Single Regreasable Bearing-Close Coupled
 REGULATION: Static Regulator Maintains 1% of rated voltage
 INSULATION: Class F (Epoxy Vacuum Impregnated)
 CONNECTION: WYE or DELTA
 AMBIENT TEMPERATURE: 40° C.

Installation Facts

DIMENSION & WEIGHT	60 Hz Standby	50 Hz Standby
Length	122 in. (310 cm.)	N/A
Width	34 in. (87 cm.)	
Height	70 in. (178 cm.)	
Weight	7,430 lb. (3,370 kg.)	
LIQUID CAPACITY (Refill)		
Oil Sump	7 gal. (25 lit.)	N/A
Jacket Water, engine only	7 gal. (25 lit.)	
Radiator, including eng., jacket water system, & lines-standard cap.	16 gal. (60 lit.)	
EXHAUST SYSTEM		
Gas Temperature (stack)	995° F. (535° C.)	N/A
Gas Volume at Stack Temperature	2,444 CFM (1,154 lit/sec)	
Maximum allowable back pressure	27 in. H ₂ O (690 mm. H ₂ O)	
COOLING SYSTEM		
Ambient Capability of Radiator	125° F. (52° C.)	N/A
Maximum allowable static pressure on exhaust side of radiator	0.5 in. H ₂ O (27 mm. H ₂ O)	
Heat rejection to engine jacket water (dry exhaust)	8,350 BTUM (147 KW)	
Water pump capacity	71 GPM (4.5 lit/sec)	
STARTING SYSTEM		
Electric volt DC	24 volt	N/A
Battery recommendation—Minimum temperature 0° F. (-17.7° C.)	220 Amp-hr.	
AIR REQUIREMENTS		
Air flow required for Radiator Cooled unit	20,050 CFM (9,466 lit/sec)	N/A
Air flow required for Heat Exchanger or Remote Radiator	9,241 CFM (4,363 lit/sec)	
Generator set radiated heat	4,990 BTUM (88 KW)	

* Derate 3% per 1,000 feet (305 m) above 5,000 feet (1,525 m) and 3% per 10°F. (5.5°C.) above 100°F. (38°C.)
 Other voltages available up to 6600 volts AC. N/A = Not Available

Drawings for 300R4



Design & Performance

- Katolight Generator manufactured to meet NEMA-MG-1-22.40 and CSA standards.
- Engine and generator controls are designed and manufactured by Katolight.
- Telephone influence factor is well within NEMA standards.
- Wave form deviation factor is no more than 5%, well within NEMA standards.
- Voltage Regulation — Standard static regulators will keep voltage within 1% of rated voltage.
- Regreasable ball bearings.
- Harmonic Content is 3% maximum.

Standard Equipment

- Basic Engine — 2006TAG
- A.C. Generator
- Fuel Pump
- Primary & Secondary Fuel Filter
- Lube Oil Circulating Pump
- Lube Oil Cooler
- Full Flow Lube Oil Filter
- Jacket Water Circulating Pump
- Thermostat
- Air Filter
- Exhaust Manifold
- 24 Volt Electric Starting Motor, Solenoid, and Switch
- 24 Volt Battery Charging Alternator & D.C. Ammeter
- Oil Pressure—Water Temperature Gauges—Running Time Meter
- Generator Terminal Box
- Governor — Electronic 0 to 3%
- Fabricated Steel Sub-base

Optional Accessories

- Special voltages up to 6600 volts.
- Special array of temperature rise (50°, 60°, 70°, 80°, 105° and 130°C) generators available, meeting NEMA-MG-1-22.84 standards.
- Custom designed control systems — Special metering — Bussing — Switch gear.
- Fuel systems — Pumps — Valves — Tanks — Switches.
- Batteries — Lead acid — Lead calcium — Nickel cadmium.
- Enclosures — Weather resistant — Thermal insulated — Sound attenuated.
- Custom designed trailer mounting.

Materials and Specifications May Change Without Notice.

KATOLIGHT CORPORATION

3201 Third Avenue

P.O. Box 3229

Mankato, Minnesota 56002-3229

Phone: (507) 625-7973

Telex: 29-0787 FAX: (507) 625-2968

Printed in U.S.A.

For more information contact your nearest Representative, Distributor, or Dealer below: