



Parts Manual

Generator Set

with PowerCommand[®] 2100 and 3100 Control

DFLB (Spec S-T)

DFLC (Spec V-W)

DFLE (Spec D-F)

MODEL IDENTIFICATION

To avoid errors or delay in filling your parts order, always give the MODEL, SPEC NO. and SERIAL NO. from the Cummins Power Generation nameplate.

For handy reference, insert your nameplate information in the spaces below.

MODEL AND SPEC NO.

SERIAL NO.

DIGITAL CONTROL SOFTWARE VERSION
AND DATE (IF APPLICABLE)

SAFETY PRECAUTIONS

The following symbols are used in Cummins Power Generation manuals to alert users to the potentially dangerous conditions relating to maintenance of equipment and replacement of parts. Please read and observe.



This symbol warns of immediate hazards which will result in severe personal injury or death.



This symbol refers to a hazard or unsafe practice which can result in severe personal injury or death.



This symbol refers to a hazard or unsafe practice which can result in severe personal injury or product or property damage.

PRODUCT SAFETY PRECAUTIONS



Service and repair of Cummins Power Generation equipment must be performed by trained, experienced personnel only. Improper service or repair may result in property damage, severe personal injury or death. Do not use this catalog as a guide to servicing your equipment. Read and follow the IMPORTANT SAFETY INSTRUCTIONS in the Service Manual appropriate for the equipment you are working on.



Contact with USED ENGINE OILS has been identified by a United States federal agency and some USA state agencies as causing CANCER or REPRODUCTIVE TOXICITY. When checking or changing engine oils take all necessary precautions not to ingest, breathe the fumes or contact the used oil.



Contact with ASBESTOS has been identified by a United States federal agency and some USA state agencies as causing CANCER or REPRODUCTIVE TOXICITY. When handling engine gaskets take all necessary precautions not to ingest, breathe or contact the dust from the gaskets! Use adequate ventilation and wear protective gloves, masks and clothing!



Contact with BENZINE and LEAD, found in gasoline, fuel additives and solvents has been identified by a United States federal agency and some USA state agencies as causing CANCER or REPRODUCTIVE TOXICITY. When checking, draining or adding gasoline and fuel additives or using solvents take all necessary precautions not to ingest, breathe the fumes or contact the liquids. Use adequate ventilation and wear protective gloves, masks and protective clothing!

Introduction

This manual applies to Cummins Power Generation Models DFLB, DFLE and DFLE as listed in the Generator Set Data Table. Parts are arranged in groups of related items and each illustrated part is identified by a reference number corresponding to the same reference number in the parts list. Parts illustrations are typical. Unless otherwise mentioned in the description or page heading, parts are interchangeable between models. Throughout this manual left and right sides are determined by facing the engine end (front) of the set unless noted in the description column.

Engine parts that have been modified or added by Cummins Power Generation are identified in this manual. All other engine replacement parts must be ordered from the engine manufacturer by referring to the engine manufacturer's nameplate and supplying all available information. Contact your nearest engine parts distributor for assistance in ordering replacement parts.

Replacement Engine

Cummins Power Generation Generator Model	Cummins Engine Model
DFLB	KTA50-G2
DFLC – Spec V	KTA50-G3
DFLC – Spec W	KTA50-G11
1290DFLE 1500DFLE	KTA50-G8 KTA50-G9

Generator Set Data Table

Model and Specification	Electrical Data					Battery Voltage
	Watts	Volts	Hertz	Wire	Phase	
1100DFLB/*	1,100,000	#	60	6	1 or 3	24 VDC
1120DFLC/*	1,120,000	#	50	6	1 or 3	24 VDC
1250DFLC/*	1,250,000	#	60	6	1 or 3	24 VDC
1290DFLE/*	1,290,000	#	50	6	1 or 3	24 VDC
1500DFLE/*	1,500,000	#	60	6	1 or 3	24 VDC

* – The diagonal line (/) in the model and specification number separates generator set characteristics from the specification number and letter. The specification number denotes customer requested options or deviations from the standard model. The specification letter advances (A to B, B to C, etc.) with major manufacturing changes.

– Broad range reconnectible

“Intentionally Left Blank”

Index

A

Absorber, Shock – Fan – DFLB, **64**
Absorber, Shock – Fan – DFLE, **65**
Absorber, Shock – Fan Drive – DFLE, **66**
Alternator – 55 Amp, **71**
Alternator – Two Pump Two Loop – DFLE, **69**

B

Band, Mounting – Air Cleaner – Standard – DFLE, **16**
Band, Mounting – Water Inlet – DFLB, DFLE, **38**
Bar Assembly, Neutral – Non-UL Listed Circuit Breaker, **107**
Bar Assembly, Neutral – UL Listed Circuit Breaker, **105**
Base, Heat Exchanger – DFLB, DFLE, **33**
Belt, Alternator – 55 Amp, **71**
Belt, Alternator – Two Pump Two Loop – DFLE, **69**
Belt, Fan – DFLE, **65**
Belt, Ribbed – DFLB, **64**
Belt, V – Fan Drive – DFLE, **66**
Block, Short Circuit – Differential Current Transformer, **101**
Block, Terminal – Engine Coolant Heater Control, **31**
Block, Terminal – Woodward Governor, **73**
Board, Printed Circuit – Bargraph, **91**
Board, Printed Circuit – Base, **91**
Board, Printed Circuit – LED, **91**
Board, Printed Circuit – Lonworks, **91**
Box, Control – Engine Coolant Heater, **31**
Box, Control – PCC 2100, **91**
Box, Entrance – DFLB Begin Spec T, DFLE Begin Spec W, DFLE Begin Spec E, **75**
Box, Entrance – DFLB Spec S, DFLE Spec V, DFLE Spec D, **74**
Box, Terminal – Generator Heater, **82**
Brace, Access Door – Non-UL Listed Circuit Breaker, **107**
Brace, Access Door – UL Listed Circuit Breaker, **105**

Brace, Air Starter, **68**
Bracket, Adjusting – Alternator – 55 Amp, **71**
Bracket, Adjusting – Alternator – Two Pump Two Loop – DFLE, **69**
Bracket, Battery, **67**
Bracket, Circuit Breaker Mounting – Non-UL Listed, **107**
Bracket, Circuit Breaker Mounting – UL Listed, **105**
Bracket, Current Transformer, **101**
Bracket, Mounting – Air Cleaner – Standard – DFLE, **16**
Bracket, Radiator Support – 40DEGC Ambient – DFLE Begin Spec E, **53**
Bracket, Radiator Support – DFLE Spec D, **51**
Bracket, Saddle – Control Housing – Model HC7 Generators, **79**
Breaker, Circuit – Non-UL Listed, **107**
Breaker, Circuit – NSJ, **113**
Breaker, Circuit – P-Frame, **111**
Breaker, Circuit – R-Frame, **109**
Breaker, Circuit – UL Listed, **105**
Bumper – Radiator – DFLE Spec D, **51**
Bumper – Radiator 40DEGC Ambient – DFLE Begin Spec E, **53**
Bumper – Skid, **67**

C

Cable, Battery – PCC 2100, **13**
Cable, Battery – PCC 3100, **11**
Cap, Expansion Tank – Heat Exchanger – DFLB, DFLE, **33**
Cap, Radiator – DFLE Spec D, **51**
Cartridge, Heater – Generator Heater, **82**
Check Valve, Radiator – 40DEGC Ambient Radiator – DFLE, **47**
Check Valve, Radiator – 50DEGC Ambient Radiator – DFLE, **49**
Check Valve, Radiator – DFLB, **45**
Cleaner, Air – Heavy Duty – DFLB, **19**
Cleaner, Air – Heavy Duty – DFLE, DFLE, **21**
Cleaner, Air – Standard – DFLB, **14**

Index

Cleaner, Air – Standard – DFCL, **15**
Cleaner, Air – Standard – DFLE, **16**
Cock, Drain – Heat Exchanger – DFLB, DFCL, **33**

Control – PCC 2100, **91**
Control – PCC 3100, **86**
Control, Electronic Governor, **72**
Control, Engine Coolant Heater, **31**
Cover, Battery, **114**
Cover, Circuit Breaker – Non-UL Listed, **107**
Cover, Circuit Breaker – UL Listed, **105**
Cover, Control Box (Bottom) – Non-UL Listed Circuit Breaker, **107**
Cover, Control Box (Bottom) – UL Listed Circuit Breaker, **105**
Cover, Control Box (Top) – Non-UL Listed Circuit Breaker, **107**
Cover, Control Box (Top) – UL Listed Circuit Breaker, **105**
Cover, Control Housing – Model HC7 Generators, **79**
Cover, Damper Guard – Sets With Remote Radiator or Heat Exchanger – DFLB, DFCL, **43**
Cover, Electronic Governor Control, **72**
Cover, Entrance Box – DFLB Spec S, DFCL Spec V, DFLE Spec D, **74**
Cover, Flange – Air Starter, **68**
Cover, Hydraulic Hole – Fuel Transfer Pump, **23**

D

Display, Digital – Control – PCC 2100, **91**
Drive, Fan – DFLB, **64**
Drive, Fan – DFCL, **65**
Drive, Fan – DFLE, **66**
Drive, Fuel Transfer Pump, **23**

E

Elbow, Exhaust – Pyrometer – PCC 3100, **94**
Elbow, Outlet – Heat Exchanger – DFLB, DFCL, **33**
Element, Air Cleaner – Heavy Duty – DFLB, **19**
Element, Air Cleaner – Heavy Duty – DFCL, DFLE, **21**

Element, Oil Bypass Filter, **42**
Exchanger, Heat – DFLB, DFCL, **33**
External Engine Parts – PCC 2100, **13**
External Engine Parts – PCC 3100, **11**

F

Fan Shroud – 40DEGC Ambient Radiator – DFCL, **47**
Fan Shroud – 50DEGC Ambient Radiator – DFCL, **49**
Fan Shroud – Radiator – DFLB, **45**
Fan, Alternator – 55 Amp, **71**
Fan, Alternator – Two Pump Two Loop – DFLE, **69**
Fan, Engine – DFCL, **65**
Fan, Engine – DFLE, **66**
Filter, Oil Bypass, **42**
Flange – Thermostatic Valve – DFLB, DFCL, **35**

G

Gasket, Connection – Water Outlet – DFLB, **39**
Gasket, Connection – Water Outlet – DFCL, **40**
Gasket, Flange – Heat Exchanger – DFLB, DFCL, **33**
Gasket, Flange – Thermostatic Valve – DFLB, DFCL, **35**
Gasket, Hand Hole – Fuel Transfer Pump, **23**
Gasket, Heat Exchanger – DFLB, DFCL, **33**
Gasket, Mounting – Fuel Transfer Pump, **23**
Gasket, Thermostat Housing – Water Outlet – DFLB, **39**
Gauge, Fuel Pressure, **24**
Generator (Complete Replacement Part Numbers), **84**
Governor, Electronic, **72**
Governor, Woodward, **73**
Grille – Control Housing – Model HC7 Generators, **79**
Grille – Radiator – DFLE Spec D, **51**
Grille, 50DEGC Ambient Radiator – DFCL, **49**
Grille, Radiator – DFLB, **45**

Index

Guard, Belt – 40DEGC Ambient Radiator – DFCL, **47**

Guard, Belt – 50DEGC Ambient Radiator – DFCL, **49**

Guard, Belt – Radiator – DFLB, **45**

Guard, Fan – 40DEGC Ambient Radiator – DFCL, **47**

Guard, Fan – 50DEGC Ambient Radiator – DFCL, **49**

Guard, Fan – Radiator – DFLB, **45**

Guard, Belt – Alternator – 55 Amp, **71**

Guard, Belt – Radiator – 40DEGC Ambient – DFLE Begin Spec E, **53**

Guard, Belt – Radiator – DFLE Spec D, **51**

Guard, Damper – Sets With Remote Radiator or Heat Exchanger – DFLB, DFCL, **43**

Guard, Fan – Radiator – 40DEGC Ambient – DFLE Begin Spec E, **53**

Guard, Fan – Radiator – DFLE Spec D, **51**

Guard, Heat Exchanger, **33**

H

Harness, Wiring – AC, **96**

Harness, Wiring – Adapter – Woodward Governor to Engine Harness, **73**

Harness, Wiring – DC – Engine Coolant Heater Control, **31**

Harness, Wiring – Engine to Control – DFLB Begin Spec T, DFCL Begin Spec W, **99**

Harness, Wiring – Engine to Control – DFLB Spec S, DFCL Spec V, DFLE, **97**

Harness, Wiring – Ground Fault Relay, **93**

Harness, Wiring – Low Battery Voltage Sensor, **26**

Harness, Wiring – Temperature Switch – Two Loop Two Loop Engine – DFLE, **25**

Head, Oil Bypass Filter, **42**

Heater, Control – PCC 2100, **87**

Heater, Engine Coolant, **29**

Heater, Generator, **82**

Heater, Oil Pan, **41**

Hood, Air Inlet– Heavy Duty – DFLB , **19**

Hood, Air Inlet– Heavy Duty – DFCL, DFLE, **21**

Hose, Check Valve – Sets With Remote Radiator – DFLB, DFCL, **43**

Hose, Flexible – Oil Bypass Filter, **42**

Hose, Fuel Pump – Woodward Governor, **73**

Hose, Heat Exchanger – DFLB, DFCL, **33**

Hose, Oil Drain – PCC 2100, **13**

Hose, Oil Drain – PCC 3100, **11**

Hose, Radiator – 40DEGC Ambient – DFLE Begin Spec E, **57**

Hose, Radiator – DFLE Spec D, **51**

Hose, Water Inlet – DFLB, DFCL, **38**

Housing, Control – Model HC6 Generators, **77**

Housing, Control – Model HC7 Generators, **79**

Housing, Control – Model P7 Generators, **81**

Housing, Thermostat – Water Outlet – DFLB, **39**

I

Idler Assembly, Fan – DFLB, **64**

Idler, Fan – DFLE, **66**

Indicator, Service – Air Cleaner – Heavy Duty – DFLB, **19**

Indicator, Service – Air Cleaner – Heavy Duty – DFCL, DFLE, **21**

Indicator, Service – Air Cleaner – Standard – DFLB, **14**

Indicator, Service – Air Cleaner – Standard – DFCL, **15**

Indicator, Service – Air Cleaner – Standard – DFLE, **16**

Inlet, Water – DFLB, DFCL, **38**

Isolator, Vibration – Control Housing – Model HC7 Generators, **79**

Isolator, Vibration – Pilot Solenoid – PCC 2100, **13**

Isolator, Vibration – Pilot Solenoid – PCC 3100, **11**

K

Kit Heater, Relay, **82**

Kit, Repair – Radiator Sight Gauge – 40DEGC Ambient Radiator – DFCL, **47**

Index

Kit, Repair – Radiator Sight Gauge – 50DEGC
Ambient Radiator – DFLE, **49**

L

Lead, Circuit Breaker – Non-UL Listed, **107**
Lead, Circuit Breaker – UL Listed, **105**
Lead, Thermocouple – Pyrometer – PCC 3100,
94
Lens, Indicator – Low Battery Voltage Sensor, **26**
Line, Fuel – Flexible – Fuel Transfer Pump, **23**
Lube, Fan, **63**

M

Manifold, Inlet – Heat Exchanger – DFLB, DFLE,
33
Module, Alarm, **92**
Mounting, Generator, **83**

O

Outlet, Water – DFLB, **39**
Outlet, Water – DFLE, **40**

P

Paint, **8**
Pickup, Magnetic – Electronic Governor, **72**
Pickup, Magnetic – PCC 2100, **13**
Pickup, Magnetic – PCC 3100, **11**
Pickup, Magnetic – Woodward Governor, **73**
Pulley, Alternator – 55 Amp, **71**
Pulley, Alternator – Two Pump Two Loop – DFLE,
69
Pulley, Fan Drive – DFLB, **64**
Pulley, Fan Drive – DFLE, **65**
Pulley, Fan Drive – DFLE, **66**
Pump, Fuel Transfer, **23**
Pyrometer – Dual Thermocouple – PCC 2100, **95**
Pyrometer – PCC 3100, **94**

R

Radiator – Guard – Service Parts – 50DEGC
Ambient – DFLE Begin Spec E, **62**
Radiator – 50DEGC Ambient – DFLE Begin Spec
E, **58**
Radiator – DFLB, **45**
Radiator – DFLE Spec D, **51**
Radiator Service Parts – 505C Ambient – DFLE
Begin Spec E, **60**
Radiator, 40DEGC Ambient – DFLE, **47**
Radiator, 40DEGC Ambient – DFLE Begin Spec
E, **53 , 55 , 57**
Radiator, 50DEGC Ambient – DFLE, **49**
Rail, Enclosure – Control – PCC 2100, **88**
Rectifier, Silicon – Engine Heater Wiring Harness,
31
Relay, Control – PCC 2100, **89**
Relay, Ground Fault, **93**
Relay, Power – Engine Coolant Heater Control,
31
Reservoir, Fuel – Fuel Transfer Pump, **23**

S

Seal, Thermostat – Water Outlet – DFLB, **39**
Sealant, Thread, **8**
Sender, Low Coolant Level, **34**
Sender, Oil Pressure – PCC 2100, **13**
Sender, Oil Pressure – PCC 3100, **11**
Sender, Oil Temperature – Engine Block, Oil Pan
– PCC 2100, **13**
Sender, Oil Temperature – Engine Block, Oil Pan
– PCC 3100, **11**
Sensor – Low Battery Voltage, **26**
Shaft, Fan Drive – DFLE, **65**
Shaft, Fan Drive – DFLE, **66**
Shim, Generator Mounting, **83**
Shroud, Fan – Radiator – 40DEGC Ambient –
DFLE Begin Spec E, **53**
Shroud, Fan – Radiator – DFLE Spec D, **51**

Index

Skid, **67**
Solenoid, Pilot – PCC 2100, **13**
Solenoid, Pilot – PCC 3100, **11**
Starter, Air, **68**
Support, Alternator – 55 Amp, **71**
Support, Alternator – Two Pump Two Loop – DFLE, **69**
Support, Fan – DFLB, **64**
Support, Fan – DFCL, **65**
Switch, Key Operator, **102**
Switch, Temperature – Two Pump Two Loop Engine – DFLE, **25**
Switch, Trip Alarm or Auxiliary Contact – Circuit Breaker, **109**

T

Tank, Expansion – Heat Exchanger – DFLB, DFCL, **33**
Thermostat, Engine Coolant Heater, **29**
Thermostatic Valve – DFLB, DFCL, **35**
Transformer, Current, **100**
Transformer, Differential Current, **101**
Trip, Shunt – Circuit Breaker, **109**
Tube, 40DEGC Ambient Radiator Inlet and Outlet – DFCL, **47**
Tube, 50DEGC Ambient Radiator Inlet and Outlet – DFCL, **49**
Tube, Air Inlet – Air Cleaner – Heavy Duty – DFLB, **19**
Tube, Air Inlet – Air Cleaner – Heavy Duty – DFCL, DFLE, **21**
Tube, Air Inlet – Air Cleaner – Standard – DFLB, **14**
Tube, Air Inlet – Air Cleaner – Standard – DFCL, **15**
Tube, Air Inlet – Air Cleaner – Standard – DFLE, **16**

Tube, Inlet – Heat Exchanger – DFLB, DFCL, **33**
Tube, Outlet – Heat Exchanger – DFLB, DFCL, **33**
Tube, Radiator – 40DEGC Ambient – DFLE Begin Spec E, **57**
Tube, Radiator – DFLE Spec D, **51**
Tube, Radiator Inlet and Outlet – DFLB, **45**
Tube, Water Inlet – DFLB, DFCL, **38**
Tube, Water Outlet – DFLB, **39**
Tube, Water Outlet – DFCL, **40**

V

Valve – Fuel Pressure Gauge, **24**
Valve, Check – Heat Exchanger Expansion Tank – DFLB, DFCL, **33**
Valve, Check – Radiator – 40DEGC Ambient – DFLE Begin Spec E, **57**
Valve, Check – Radiator – DFLE Spec D, **51**
Valve, Check – Sets With Remote Radiator – DFLB, DFCL, **43**
Valve, Gate – Heat Exchanger – DFLB, DFCL, **33**

Valve, Shutoff – Fuel Transfer Pump, **23**
Valve, Shutoff – Oil Drain – PCC 2100, **13**
Valve, Shutoff – Oil Drain – PCC 3100, **11**
Valve, Solenoid – Heat Exchanger – DFLB, DFCL, **33**
Valve, Thermostatic, **35**
Valve, Thermostatic – DFLE, **37**

W

Wrapper, Circuit Breaker – Non-UL Listed, **107**
Wrapper, Circuit Breaker – UL Listed, **105**

Abbreviations

Some of the following abbreviations may be used throughout this Parts Catalog:

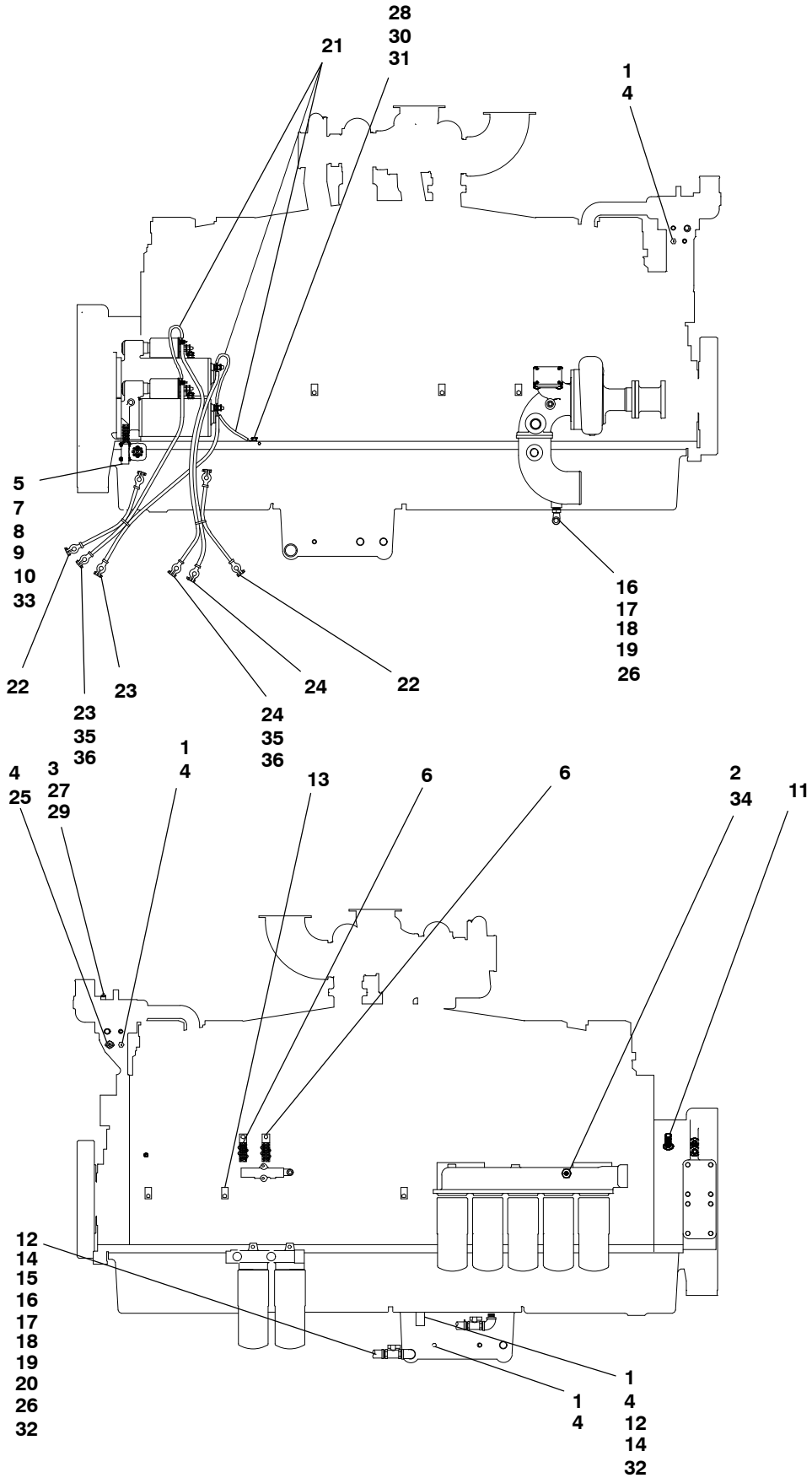
AC	Alternating Current	mm	Millimeter
Amp	Ampere	MOH	Mobile Off Highway
A/R	As Required	NFS	Not For Sale
AVR	Automatic Voltage Regulator	NPT	National Pipe Thread
AWG	American Wire Gauge	OD	Outside Diameter
DC	Direct Current	oz.	Ounce
Deg	Degree	PC	Printed Circuit
EFC	Electronic Fuel Control	Ph	Phase
EIT	External/Internal Tooth	PMG	Permanent Magnet Generator
EPROM	Erasable Programmable Read Only Memory	PT/CT	Potential Transformer/Current Transformer
ET	External Tooth	RFI	Radio Frequency Interference
GFI	Ground Fault Interrupter	RT	Right
ID	Inside Diameter	Spec	Specification
IEC	International Electrotechnical Commission	Thk	Thick
IT	Internal Tooth	UL	Underwriters Laboratories Inc.
kW	Kilowatt	UNC	Union National Coarse
LPG	Liquid Petroleum Gas	UNF	Union National Fine
LT	Left	VAC	Volts Alternating Current
M(meter number)	Meter	VDC	Volts Direct Current
		W/(ET, IT, EIT)	With

Paint and Thread Sealant

REF NO.	PART NO.	QTY USED	PART DESCRIPTION	REF NO.	PART NO.	QTY USED	PART DESCRIPTION
			Onan Green Enamel (Non-Metallic)				Cummins Beige Enamel
	525-0305	-	12 oz. Pressurized Spray Can		525-0551-02	-	12 oz. Pressurized Spray Can
	525-0306	-	Quart Can		525-0551-03	-	Quart Can
	525-0304	-	Gallon Can		525-0551-04	-	Gallon Can
					518-0601	-	Sealant, Thread (6 ml Tube)

“Intentionally Left Blank”

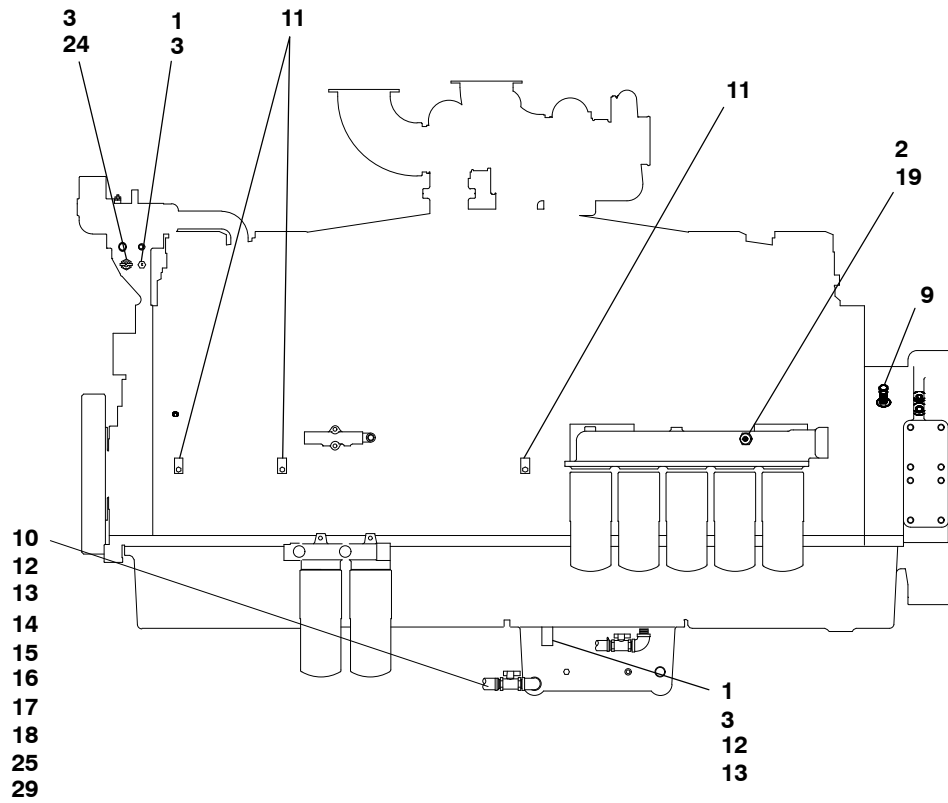
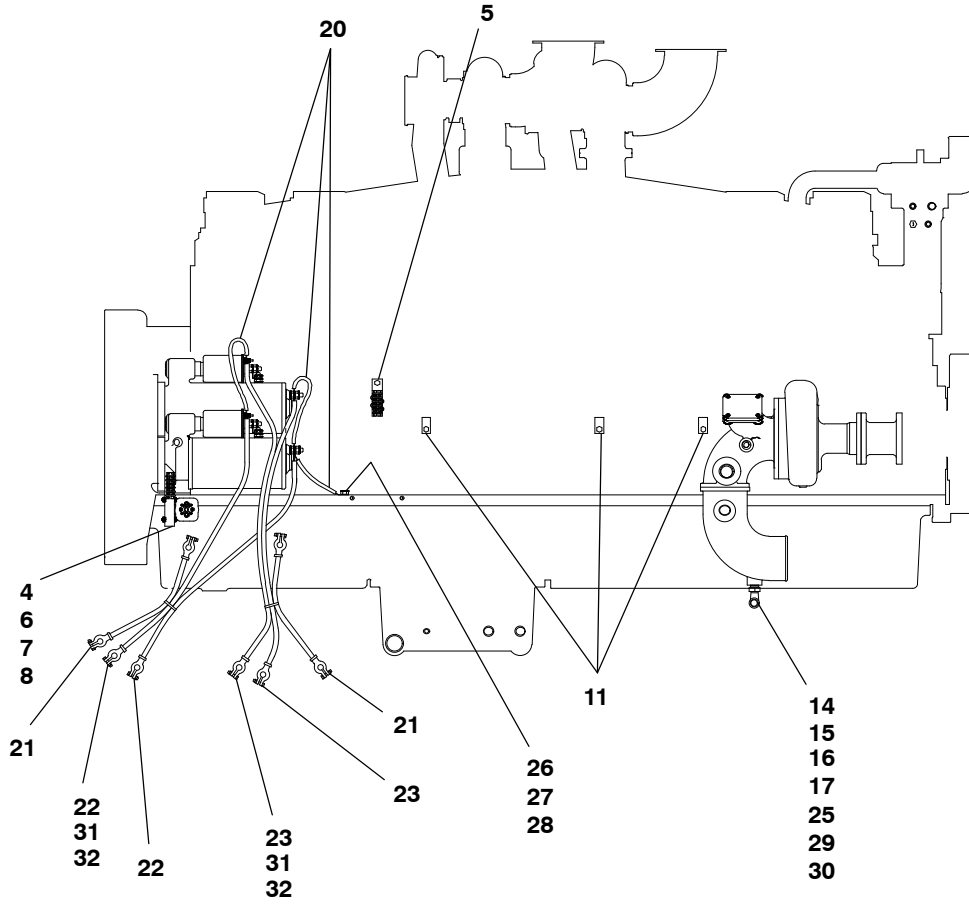
External Engine Parts PCC 3100



**External Engine Parts
PCC 3100**

REF NO.	PART NO.	QTY USED	PART DESCRIPTION	REF NO.	PART NO.	QTY USED	PART DESCRIPTION
1	193-0432	3	Sender, Temperature	18	505-0102	3	Nipple, Pipe (3/4" x 1-3/8")
2	A028X493	1	Sender, Oil Pressure	19	505-0132	2	Elbow, Pipe - 90° (3/4")
3	309-0269	1	Switch, Low Engine Temperature	20	505-0021	1	Bushing, Pipe - Reducer (3/4" to 1/2")
4	505-0019	4	Bushing, Pipe - Reducer (1/2" to 3/8")	21	416-0680	3	Cable, Battery - Starters and Engine Ground
5	307-2621-02	1	Solenoid, Pilot	22	416-1096	2	Cable, Battery - Jumper
6	856-0010	2	Washer, Lock - EIT (3/8")	23	416-0639	2	Cable, Battery - Battery To Starter - 60"
7	319-2236	1	Bracket, Mounting	24	416-1092	2	Cable, Battery
8	402-0610	2	Isolator, Vibration	25	504-0028	1	Cock, Drain (3/8")
9	812-0067	2	Screw, Machine - Round Head (#6-32 x .875)	26	503-0249	-	Hose - Bulk (1" ID) (Order By The Foot - 4 Feet Required)
10	870-0212	4	Nut, Locking (1/4-20)	27	800-0052	1	Screw, Cap - Hex Head (3/8-16 x 1.50)
11	151-0411	1	Pickup, Magnetic	28	800-0090	1	Screw, Cap - Hex Head (1/2-13 x 1.00)
12			Plug, Oil Drain	29	850-0050	1	Washer, Lock (3/8")
	102-1335	1	Prime Power	30	850-0060	1	Washer, Lock - Spring (1/2")
	102-1335	2	Standby Power	31	856-0013	1	Washer, Lock - EIT (1/2")
13	332-2634	6	Clamp, "J"	32	503-0189	2	Clamp, Hose
14			Washer, Sealing - Copper	33	870-0183	2	Nut, Hex - W/ET (#6-32)
	508-0292	1	Prime Power	34	505-0007	1	Bushing, Reducer
	508-0292	2	Standby Power	35	416-1019	2	Boot, Battery - Red
15	505-0100	1	Nipple, Pipe - Close (1/2" x 1-1/8")	36	416-1084	2	Boot, Starter - Red
16	504-0171	2	Valve, Shutoff				
17	505-0324	2	Nipple, Pipe - Half (3/4" x 2")				

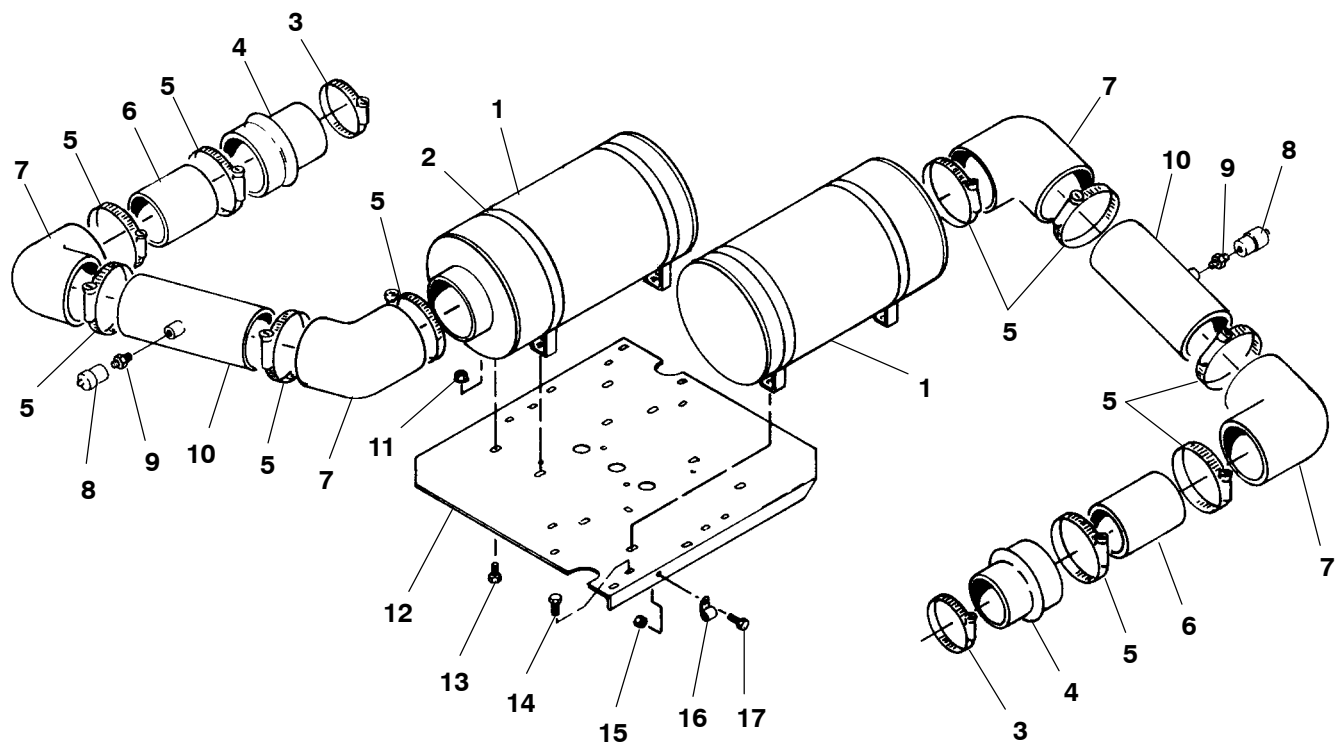
External Engine Parts PCC 2100



**External Engine Parts
PCC 2100**

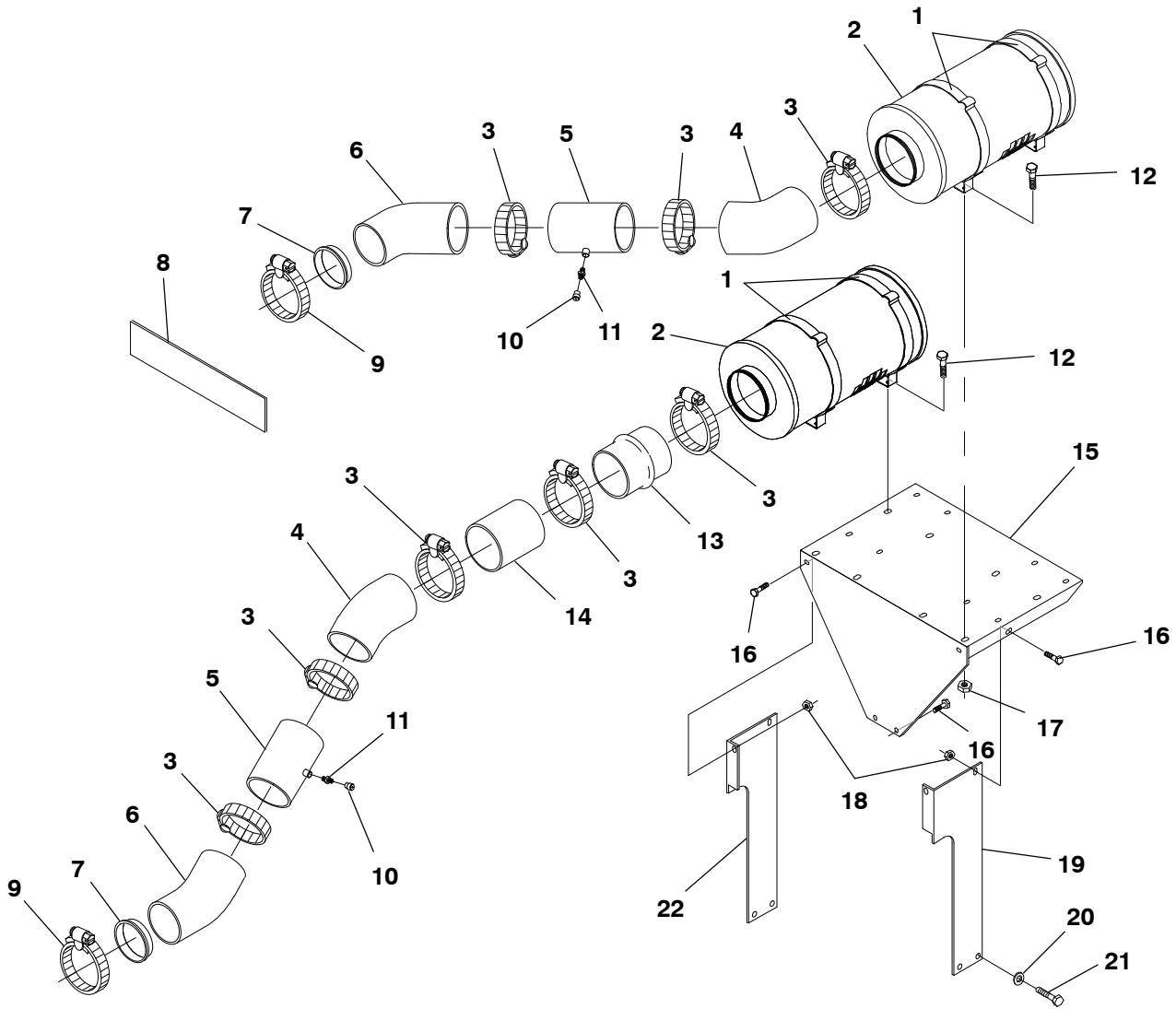
REF NO.	PART NO.	QTY USED	PART DESCRIPTION	REF NO.	PART NO.	QTY USED	PART DESCRIPTION
1	193-0529-01	1	Sensor, Temperature (S2)	17	505-0132	2	Elbow, Pipe - 90° (3/4")
2	A028X493	1	Sender, Oil Pressure	18	505-0021	1	Bushing, Pipe - Reducer (3/4" to 1/2")
3	505-0019	2	Bushing, Pipe - Reducer (1/2" to 3/8")	19	505-0007	1	Bushing, Reducer
4	307-2621-02	1	Solenoid, Pilot	20	416-0680	3	Cable, Battery - Starters and Engine Ground
5	856-0010	2	Washer, Lock - EIT (3/8")	21	416-0446	2	Cable, Battery - Jumper
6	319-2236	1	Bracket, Mounting	22	416-0639	2	Cable, Battery - Battery To Starter - 60"
7	402-0610	2	Isolator, Vibration	23	416-0964	2	Cable, Battery
8	870-0212	4	Nut, Locking (1/4-20)	24	504-0028	1	Cock, Drain (3/8")
9	151-0411	1	Pickup, Magnetic	25	503-0249	-	Hose - Bulk (1" ID) (Order By The Foot - 4 Feet Required)
10	102-1335	1	Plug, Oil Drain	26	800-0090	1	Screw, Cap - Hex Head (1/2-13 x 1.00)
	102-1335	2	Prime Power	27	850-0060	1	Washer, Lock - Spring (1/2")
	102-1335	2	Standby Power	28	856-0013	1	Washer, Lock - EIT (1/2")
11	332-2634	6	Clamp, "J"	29	503-0189	2	Clamp
12	508-0292	1	Washer, Sealing - Copper	30	503-2823	2	Clamp, Hose
	508-0292	2	Prime Power	31	416-1019	2	Boot, Battery - Red
	508-0292	2	Standby Power	32	416-1084	2	Boot, Starter - Red
13	505-0100	1	Nipple, Pipe - Close (1/2" x 1-1/8")				
14	504-0171	2	Valve, Shutoff				
15	505-0324	2	Nipple, Pipe - Half (3/4" x 2")				
16	505-0102	3	Nipple, Pipe (3/4" x 1-3/8")				

Air Cleaner Standard DFLB



REF NO.	PART NO.	QTY USED	PART DESCRIPTION	REF NO.	PART NO.	QTY USED	PART DESCRIPTION
1	140-2501	2	Cleaner, Air (Disposable)	12	140-2515	1	Bracket, Mounting
2	140-2502	4	Band, Mounting	13	821-0029	8	Screw, Self-Locking - Hex Washer Head (3/8-16 x 3/4")
3	503-1870-11	2	Clamp, Hose	14	821-0033	8	Screw, Self-Locking - Hex Washer Head (7/16-14 x 3/4")
4	503-1675	2	Hose, Rubber - Reducer (7" ID to 5-1/2" ID)	15	870-0257	2	Nut, Hex - Locking (5/16-18)
5	503-1870-14	10	Clamp, Hose	16	518-0548-08	2	Clamp, "J"
6	140-2519	2	Tube, Air Inlet (7" x 9")	17	821-0016	2	Screw, Self-Locking - Hex Washer Head (5/16-18 x 3/4")
7	503-0970	4	Elbow - 90°				
8	140-1548	2	Indicator, Service				
9	140-1260	2	Fitting, Safety Filter				
10	140-2521	2	Tube, Air Inlet				
11	870-0281	8	Nut, Hex - Locking (3/8-16)				

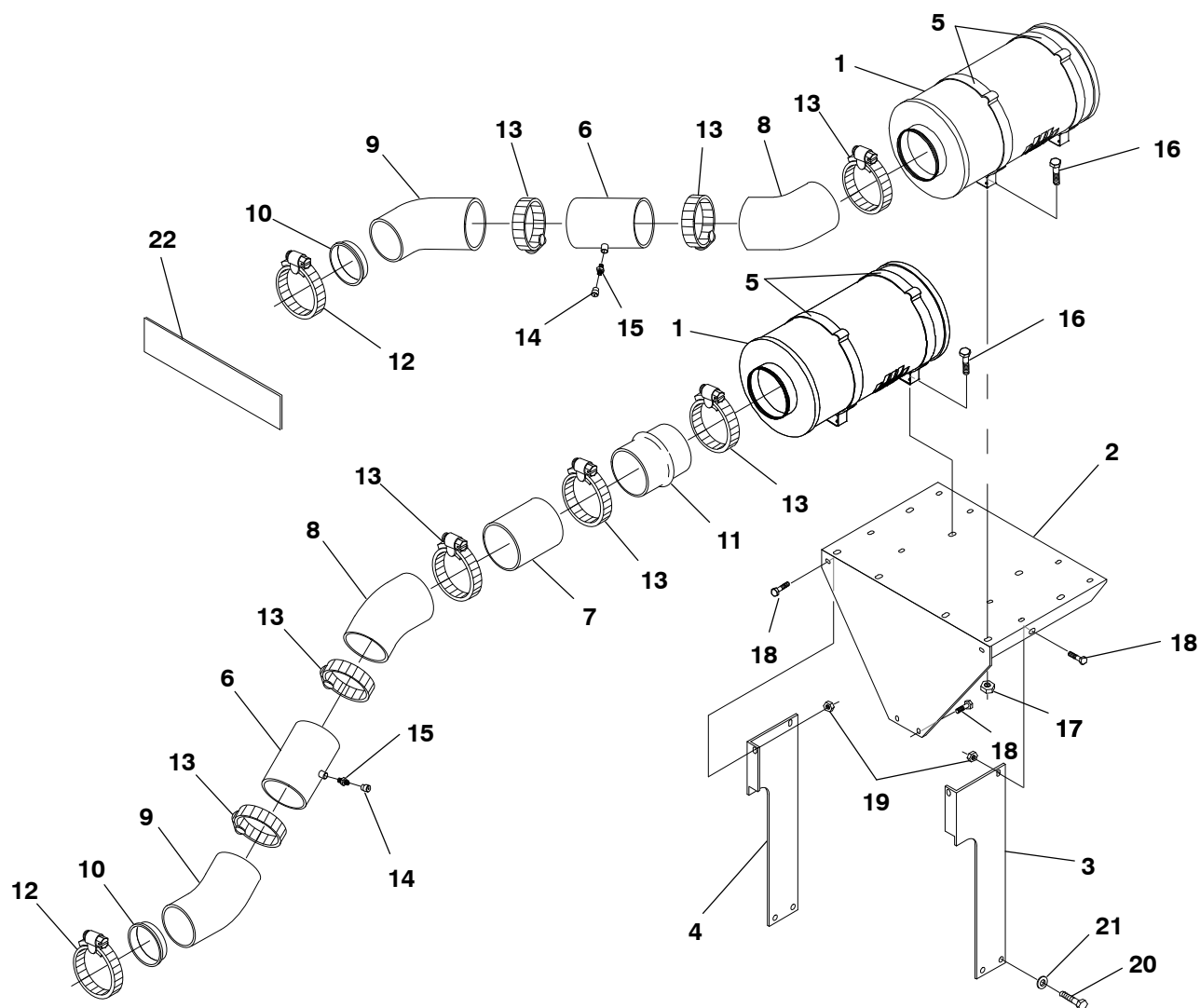
Air Cleaner Standard DFLC



D041

REF NO.	PART NO.	QTY USED	PART DESCRIPTION	REF NO.	PART NO.	QTY USED	PART DESCRIPTION
1	140-2502	4	Band, Mounting – Air Cleaner	13	503-1705	1	Hose, Hump (7" ID)
2	140-2501	2	Cleaner, Air (Disposable)	14	140-2519	1	Tube, Air Inlet (7" x 9")
3	503-1870-14	8	Clamp, Hose	15	140-2503	1	Bracket, Mounting
4	503-1484	2	Elbow, Hose – 45° (7" ID)	16	821-0033	6	Screw, Self-Locking – Hex Washer Head (7/16-14 x 3/4")
5	140-2508	2	Tube, Air Inlet (7" x 9-3/4")	17	870-0281	8	Nut, Locking – Hex (3/8-16)
6	503-1717	2	Elbow, Reducer – 45° [7" ID to 6" ID)	18	870-0437	4	Nut, Locking – Hex (7/16-14)
7	503-1720	2	Insert, Reducer (6" OD to 5-1/2" ID)	19	140-2504-01	1	Bracket, Mounting (Right Side)
8	140-2528	1	Shield – Air In Heat	20	850-0079	4	Washer, Lock – Spring (3/4")
9	503-1870-12	2	Clamp, Hose	21	800-0152	4	Screw, Cap – Hex Head (3/4-10 x 1-1/4")
10	140-1548	2	Indicator, Service	22	140-2504-02	1	Bracket, Mounting (Left Side)
11	140-1260	2	Fitting, Safety Filter				
12	821-0029	8	Screw, Self-Locking – Hex Washer Head (3/8-16 x 3/4")				

Air Cleaner Standard DFLE

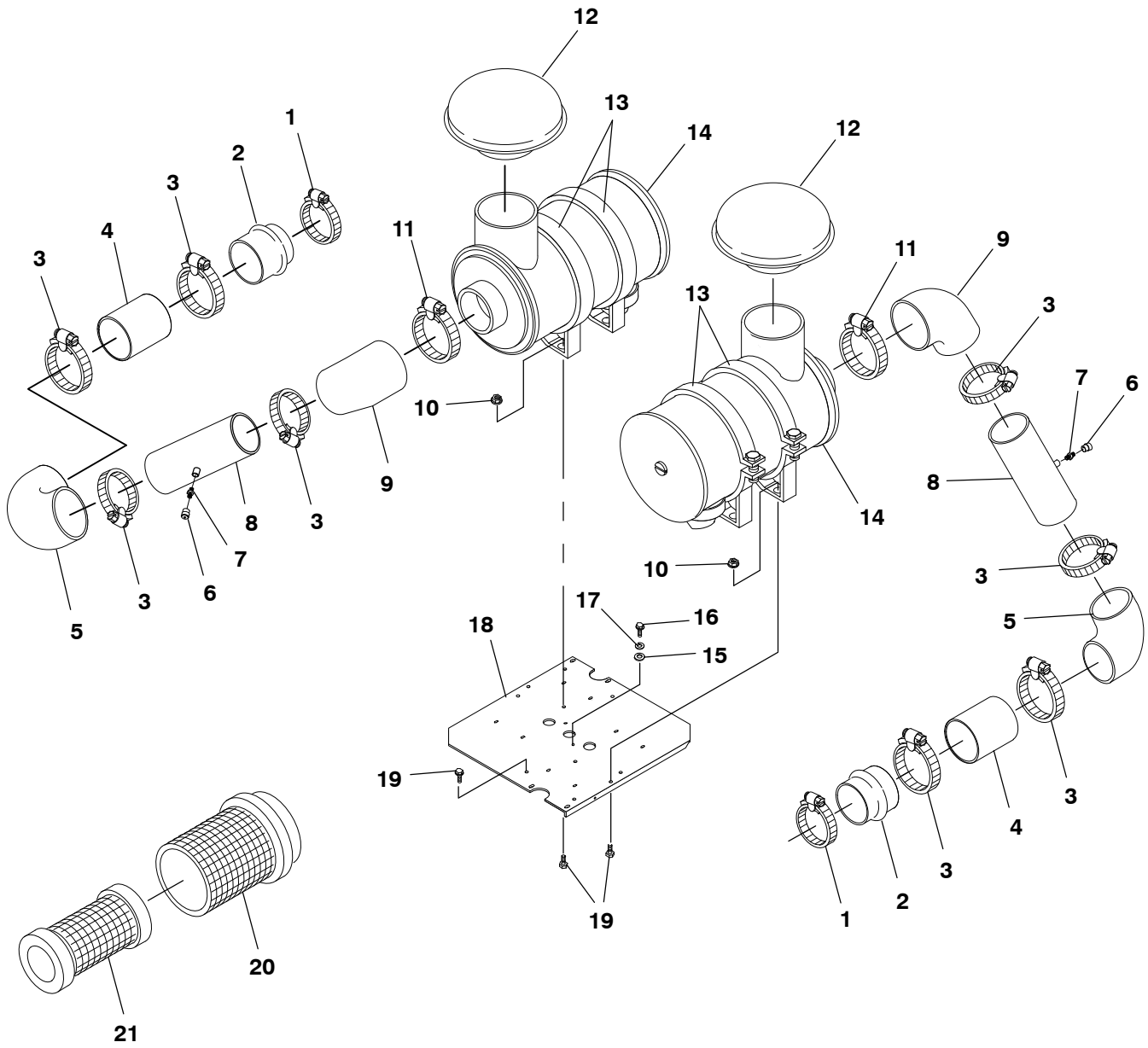


D041

REF NO.	PART NO.	QTY USED	PART DESCRIPTION	REF NO.	PART NO.	QTY USED	PART DESCRIPTION
1	140-3163	2	Cleaner, Air (No Replaceable Element)	13	503-1870-14	8	Clamp, Hose
2	140-2503	1	Bracket, Mounting - Air Cleaner	14	140-1548	2	Indicator, Service
3	140-2504-01	1	Bracket, Mounting (Right Side)	15	140-1260	2	Fitting - Safety Filter
4	140-2504-02	1	Bracket, Mounting (Left Side)	16	821-0029	8	Screw, Self-Locking - Hex Washer Head (3/8-16 x .75)
5	140-2502	4	Band, Mounting	17	870-0281	8	Nut, Hex - Locking (3/8-16)
6	140-2508	2	Tube, Air Inlet	18	821-0033	6	Screw, Self-Locking - Hex Washer Head (7/16-14 x .75)
7	140-2519	1	Tube, Air Inlet	19	870-0437	4	Nut, Hex - Locking (7/16)
8	503-1484	2	Elbow, Hose (45°)	20	800-0152	4	Screw, Cap - Hex Head (3/4-10 x 1.25)
9	503-1717	2	Elbow, Reducer (45°)	21	850-0079	4	Washer, Lock (3/4)
10	503-1720	2	Insert, Reducer (6.0 to 5.5)	22	140-2528	1	Shield - Air In Heat
11	503-1705	1	Hose, Hump				
12	503-1870-12	2	Clamp, Hose				

“Intentionally Left Blank”

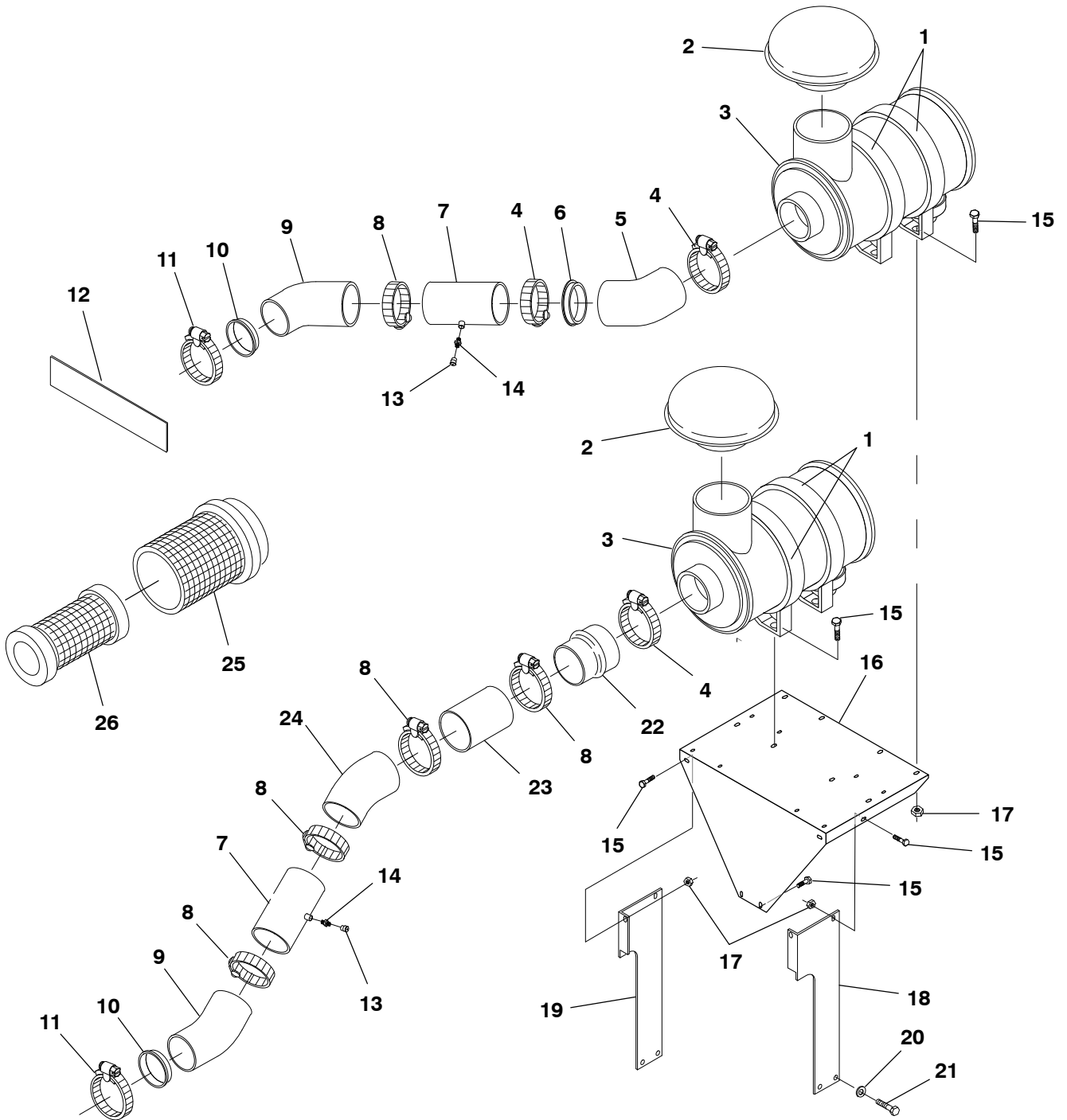
Air Cleaner Heavy Duty DFLB



Air Cleaner Heavy Duty DFLB

REF NO.	PART NO.	QTY USED	PART DESCRIPTION	REF NO.	PART NO.	QTY USED	PART DESCRIPTION
1	503-1870-11	2	Clamp, Hose	13	140-2099	4	Band, Mounting
2	503-1675	2	Hose, Rubber – Reducer (7" ID to 5-1/2" ID)	14	140-2097	2	Cleaner, Air (Includes Elements)
3	503-1870-14	8	Clamp, Hose	15	526-0219	2	Washer, Flat (7/16")
4	140-2519	2	Tube, Air Inlet (7" x 9")	16	850-0055	2	Washer, Lock – Spring (7/16")
5	503-0970	2	Elbow – 90°	17	800-0072	2	Screw, Cap – Hex Head (7/16-14 x 1-1/4")
6	140-1548	2	Indicator, Service				
7	140-1260	2	Fitting, Safety Filter	18	140-2515	1	Bracket, Mounting
8	140-2521	2	Tube, Air Inlet (7" x 18-1/2")	19	821-0033	12	Screw, Self-Locking – Hex Washer Head (7/16-14 x 3/4")
9	503-1485	2	Elbow, Reducer – 90° (8" ID to 7" ID)				
10	870-0437	6	Nut, Hex – Locking (7/16-14)	20	140-2096	2	Element, Primary (Outer)
11	503-1871-04	2	Clamp, Hose	21	140-2467	2	Element, Safety (Inner)
12	140-2098	2	Hood, Air Inlet (Includes Mounting Clamp)				

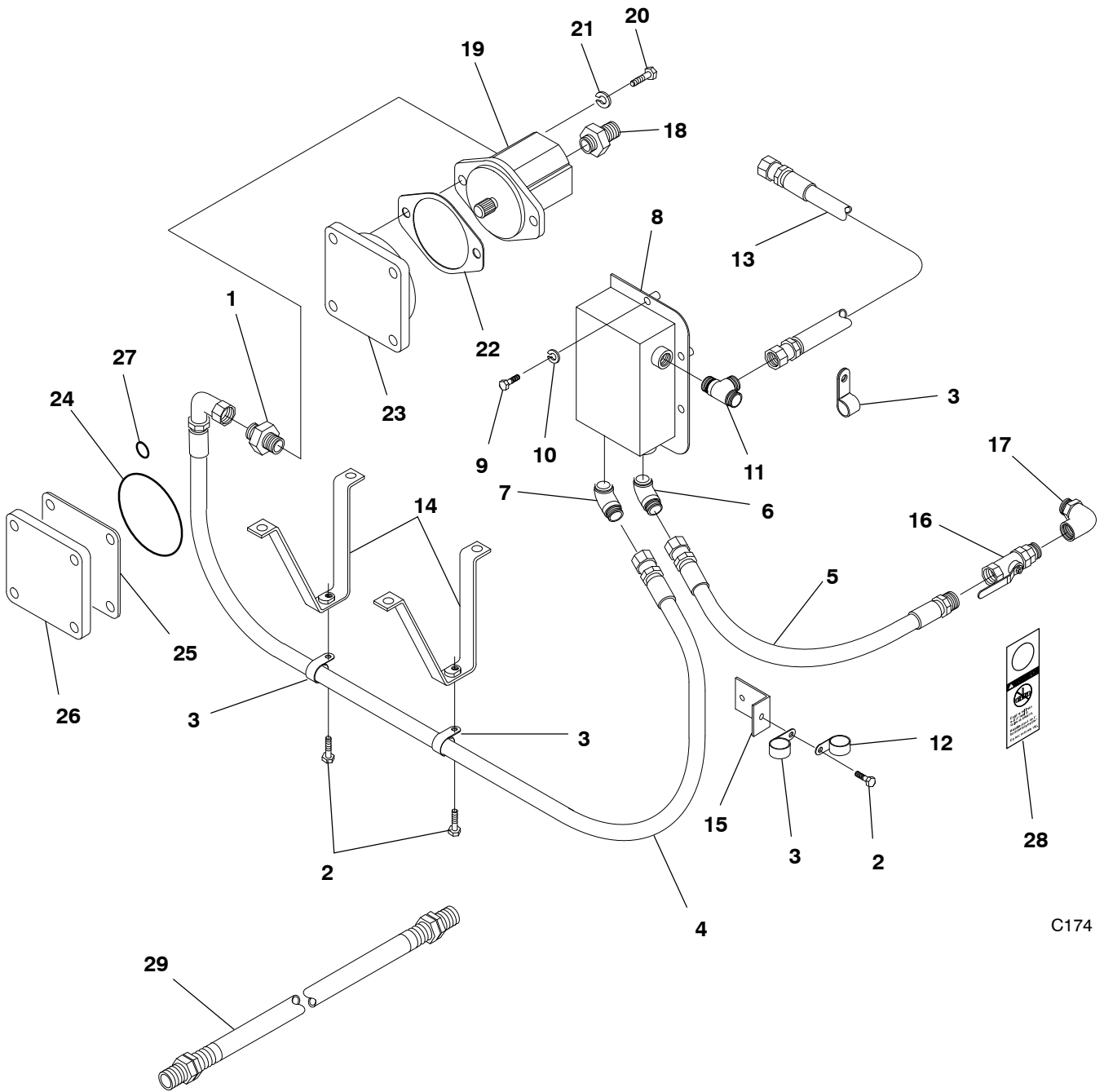
**Air Cleaner
Heavy Duty
DFLC, DFLE**



**Air Cleaner
Heavy Duty
DFLC, DFLE**

REF NO.	PART NO.	QTY USED	PART DESCRIPTION	REF NO.	PART NO.	QTY USED	PART DESCRIPTION
1	140-2099	4	Band, Mounting	15	821-0033	14	Screw, Self-Locking – Hex Washer Head (7/16-14 x 3/4")
2	140-2098	2	Hood, Air Inlet (Includes Mounting Clamp)				
3	140-3230	2	Cleaner, Air (Includes Elements – See Ref. No. 25 and 26)	16	140-2503	1	Bracket, Mounting
4	503-1871-04	3	Clamp, Hose	17	870-0437	12	Nut, Locking – Hex (7/16-14)
5	503-1718	1	Elbow, Hose (45 Deg) (8" ID)	18	140-2504-01	1	Bracket – Right Side
6	503-1719	1	Insert, Reducer (8" OD to 7" ID)	19	140-2504-02	1	Bracket – Left Side
7	140-2509	2	Tube, Air Inlet (7" OD x 12")	20	850-0079	4	Washer, Lock – Spring (3/4")
8	503-1870-14	5	Clamp, Hose	21	800-0152	4	Screw, Cap – Hex Head (3/4-10 x 1-1/4")
9	503-1717	2	Elbow, Reducer (45 Deg) (7" ID to 6" ID)	22	503-1721	1	Hose, Hump – Reducer (8" ID to 7" ID)
10	503-1720	2	Insert, Reducer (6" OD to 5-1/2" ID)	23	140-2395	1	Tube, Air Inlet (7" OD x 10-1/2")
11	503-1870-12	2	Clamp, Hose	24	503-1484	1	Elbow, Hose (45 Deg) (7" ID)
12	140-2528	1	Shield	25	140-2096	2	Element, Primary (Outer)
13	140-1548	2	Indicator, Service	26	140-2467	2	Element, Safety (Inner)
14	140-1260	2	Fitting, Safety Filter				

Fuel Transfer Pump

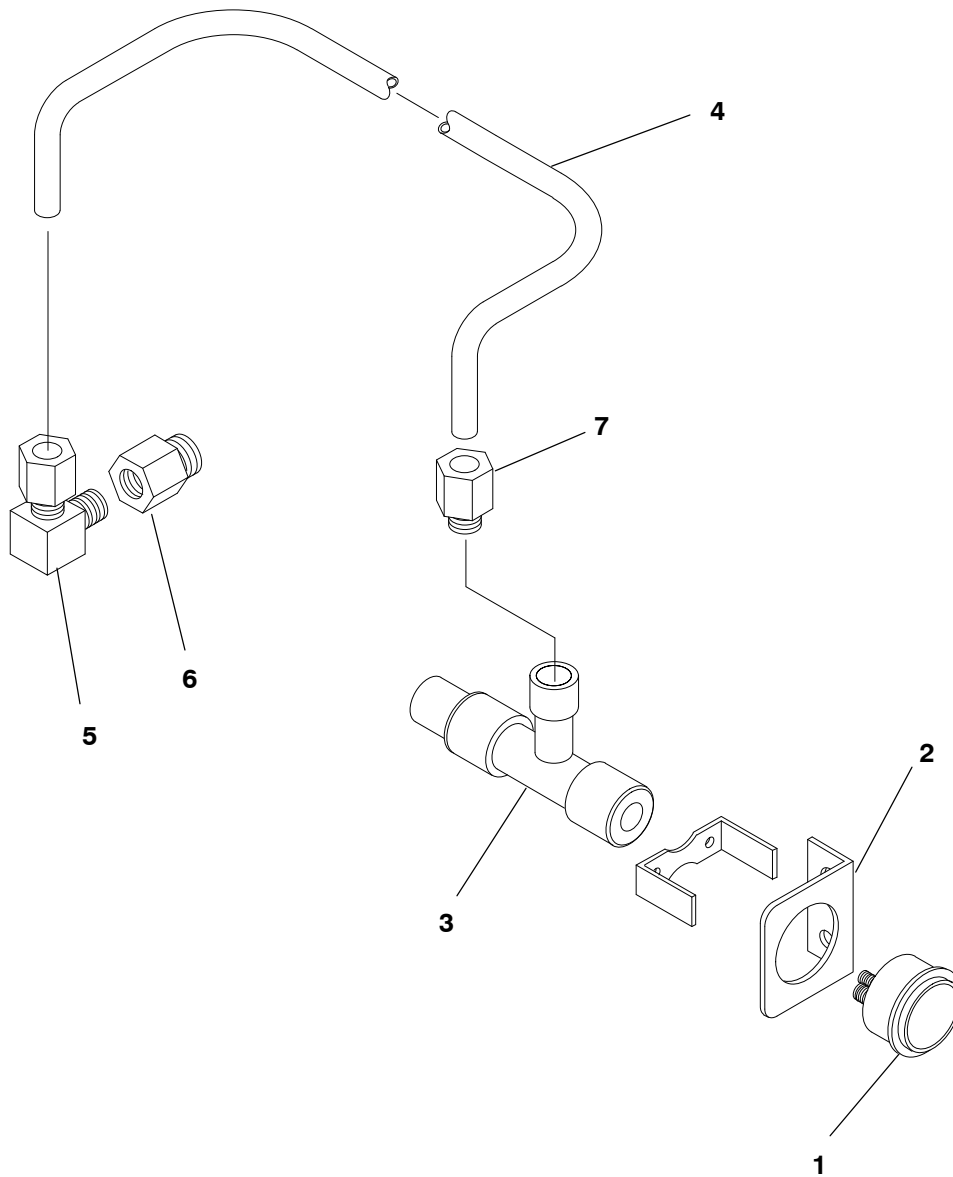


C174

Fuel Transfer Pump

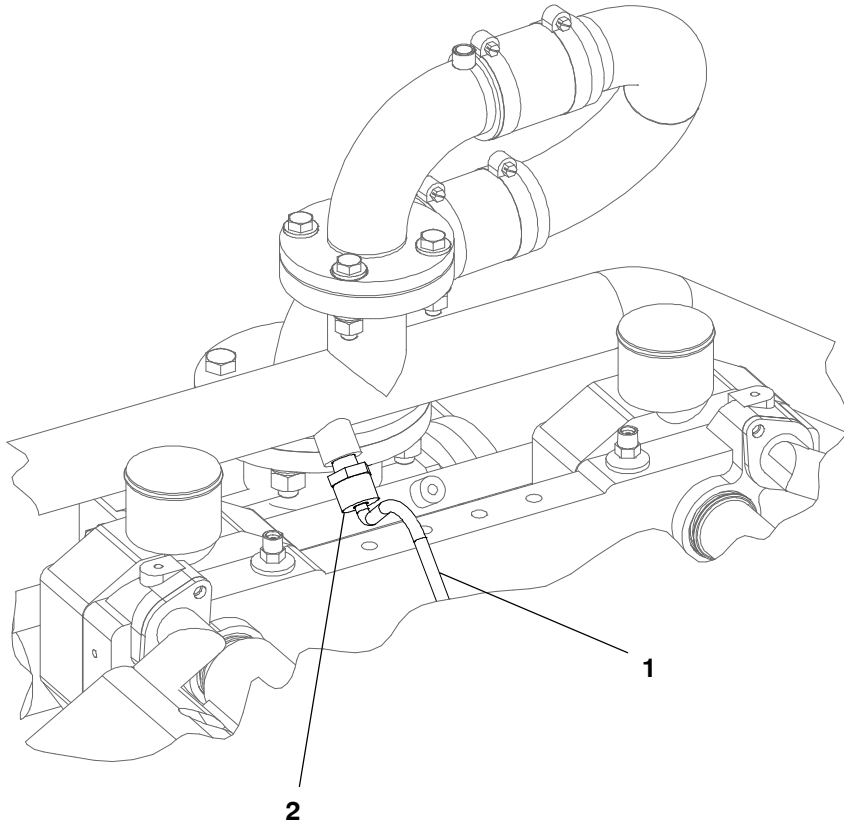
REF NO.	PART NO.	QTY USED	PART DESCRIPTION	REF NO.	PART NO.	QTY USED	PART DESCRIPTION
1	502-1267	1	Connector, Straight (7/8-14 x 1-3/16-12)	14	159-1450	2	Bracket
2	821-5004-02	3	Screw, Self-Locking - Hex Washer Head (3/8-16 x 3/4")	15	159-1448	1	Bracket
3	518-0548-29	5	Clamp, Hose	16	502-1270	1	Valve, Shutoff
4	501-0651	1	Line, Fuel - Flexible (3/4" ID x 67")	17	502-1271	1	Elbow - 90° (1-5/16-12 x 1-5/16-12)
5	501-0653	1	Line, Fuel - Flexible (1" ID x 26")	18	502-1268	1	Connector, Straight (7/8-14 x 1-5/16-12)
6	502-1266-02	1	Elbow - 45° (1-5/16-12 x 1-7/16-12)	19	159-1451	1	Pump, Fuel Transfer
7	502-1266-01	1	Elbow - 45° (1-1/16-12 x 1-3/16-12)	20	800-0050	2	Screw, Cap - Hex Head (3/8-16 x 1")
8	159-1445	1	Reservoir, Fuel	21	850-0050	2	Washer, Lock - Spring (3/8")
9	800-0081	2	Screw, Cap - Hex Head (7/16-14 x 3-1/2")	22	121-0113	1	Gasket, Pump
10	850-0055	2	Washer, Lock - Spring (7/16")	23	121-0111	1	Drive, Pump
11	502-1269	1	Tee (1-3/16-12 x 1-3/16-12 x 1-1/16-12)	24	509-0336	1	Seal, O-Ring
12	518-0633	1	Clamp, "J"	25	121-0117	1	Gasket, Hand Hole
13	501-0654	1	Line, Fuel - Flexible (3/4" ID x 40")	26	121-0116	1	Cover, Hydraulic Hole
				27	509-0337	1	Seal, O-Ring
				28	098-7301	1	Tag, Label
				29			Line, Flexible Fuel
					501-0704	1	Fuel Out
					501-0707	1	Fuel In

Fuel Pressure Gauge



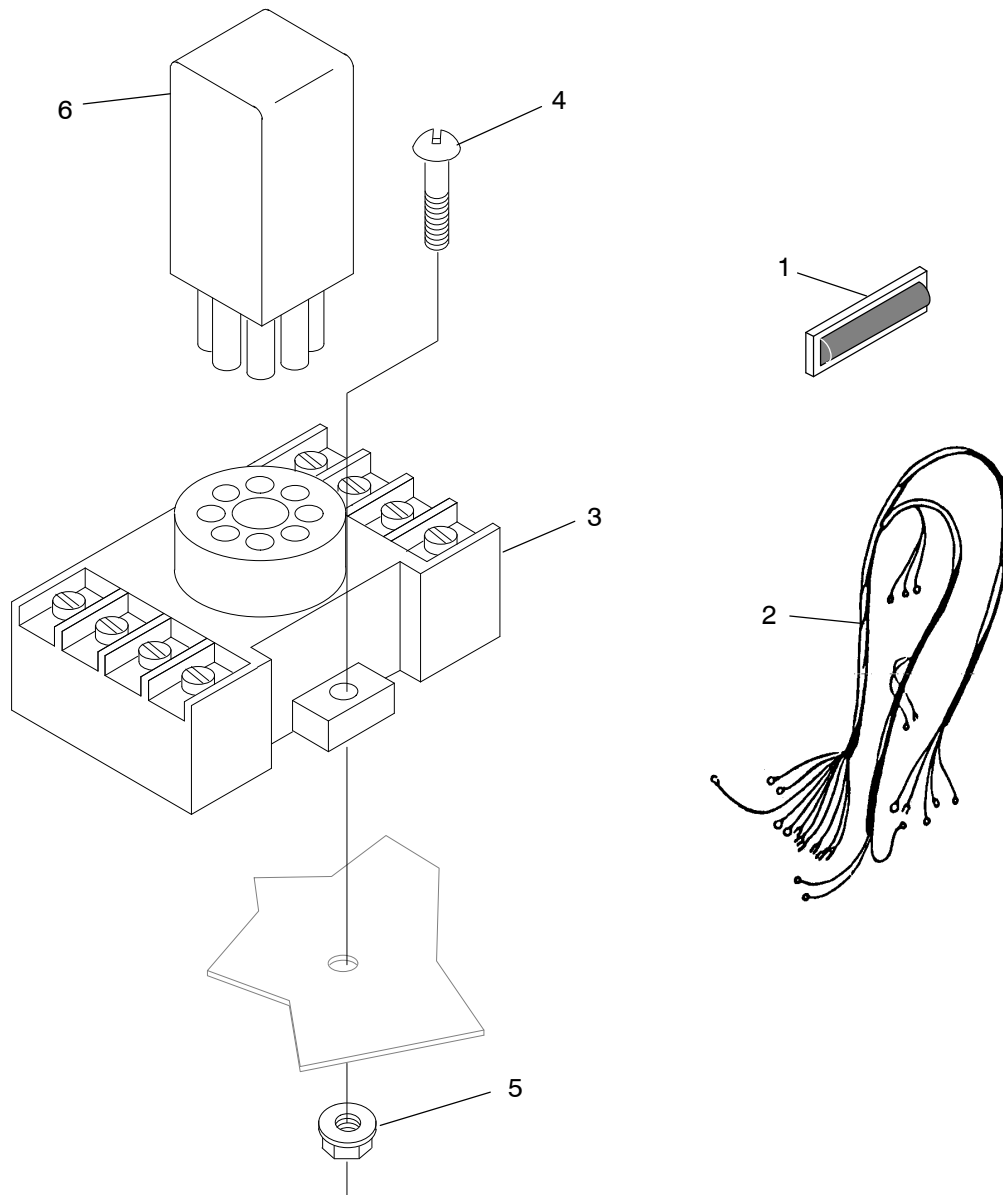
REF NO.	PART NO.	QTY USED	PART DESCRIPTION	REF NO.	PART NO.	QTY USED	PART DESCRIPTION
1	193-0540	1	Gauge, Fuel Pressure (Includes Mounting Hardware)	6	502-1302	1	Adapter, Female Pipe – Brass (1/8" x 1/2-20)
2	193-0029	1	Bracket, Mounting	7	502-0067	2	Connector, Compression – Male
3	504-0064	1	Valve, Tee (1/8")	8	140-1260-01	1	Fitting, Safety Filter (Not Illustrated)
4	149-2291-02	1	Tube, Fuel – Copper				
5	502-0034	1	Elbow, Compression – 90° (Includes Nut and Ring)				

**Temperature Switch
Two Pump Two Loop Engine
DFLE**



REF NO.	PART NO.	QTY USED	PART DESCRIPTION	REF NO.	PART NO.	QTY USED	PART DESCRIPTION
1	338-4027	1	Harness, Wiring	2	309-0676	1	Switch, Temperature

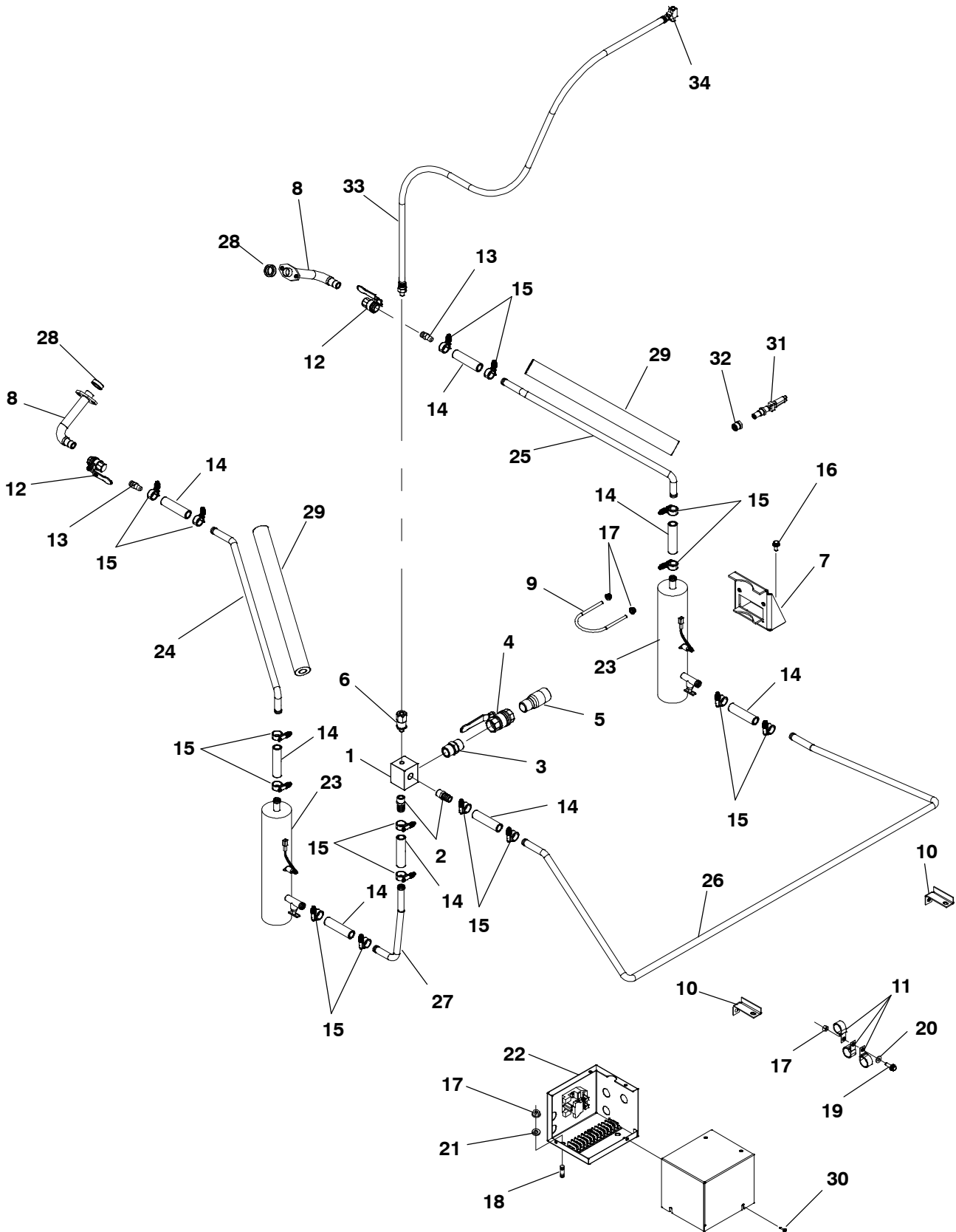
Low Battery Voltage Sensor



REF NO.	PART NO.	QTY USED	PART DESCRIPTION	REF NO.	PART NO.	QTY USED	PART DESCRIPTION
1	322-0431-08	1	Lens, Indicator Light (Marked "Lo Battery")	4	812-0084	2	Screw, Machine - Round Head (#8-32 x 1")
2	338-3034	1	Harness, Wiring (4 Wire) (36") (K15 to A11)	5	870-1221	2	Nut, Hex - W/ET (#8-32)
3	323-1410-03	1	Base, Relay	6	305-0901	1	Sensor - Low Battery Voltage (K15)

“Intentionally Left Blank”

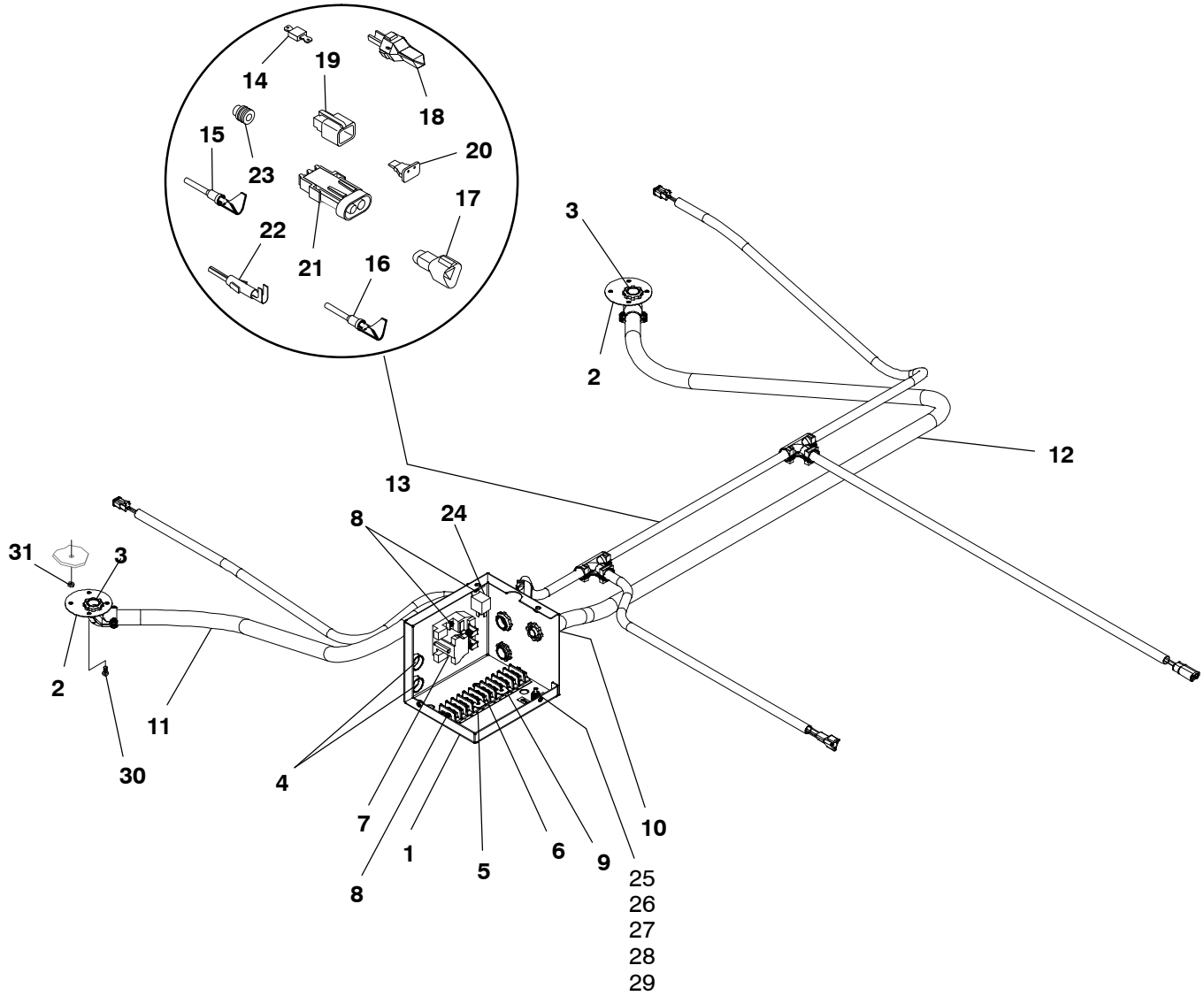
Engine Coolant Heater



Engine Coolant Heater

REF NO.	PART NO.	QTY USED	PART DESCRIPTION	REF NO.	PART NO.	QTY USED	PART DESCRIPTION
1	133-0226	1	Manifold, Heater	20	526-0029	2	Washer, Flat (3/8")
2	502-0827	2	Hose, Barb	21	526-0128	2	Washer, Flat (3/8")
3	505-1576-02	1	Nipple, Hex - Pipe (1")	22	—	1	Control Assembly, Coolant Heater (See Page 25 For Components)
4	504-0214	1	Valve, Ball (1")				Heater
5	505-2031	1	Nipple, Pipe - Reducer (1-1/4" x 1")	23			Heater, Coolant
6	504-0215	1	Valve, Check (1/4")		333-0677-01	2	4990 Watt
7	130-4546	2	Bracket, Mounting - Coolant Heater		333-0677-02	2	6420 Watt
8	130-4519-03	2	Tube	24	130-5588-02	1	Tube, Water Heater
9	155-3021	2	Clamp, Mounting	25	130-5589-02	1	Tube, Water Heater
10	130-4538	2	Bracket, Retainer	26	130-5590-02	1	Tube, Water Heater
11	332-2634	6	Clamp, "J"	27	130-5591-02	1	Tube, Water Heater
12	504-0213	2	Valve, Ball	28	509-0283-01	2	Seal, Rectangular Ring
13	502-0827	2	Fitting, Hose - Barbed (1/2" ID Pipe to 3/4" ID Hose)	29	128-0108	-	Insulation, Hose - Bulk (Order By The Foot - 4 Feet Required)
14	503-3062-01	8	Hose, Rubber	30	821-5002-03	4	Screw, Self-Locking - Hex Washer Head (1/4-20 x 1/2")
15	503-2157-02	16	Clamp, Hose				Thermostat (Opens At 110° F, Closes At 130° F) (S11)
16	821-5004-02	6	Screw, Self-Locking - Hex Washer Head (3/8-16 x 3/4")	31	309-0649	1	Bushing, Reducer (1/2 x 3/8)
17	870-0550-09	8	Nut, Hex - Flange (3/8-16)	32	502-1336	1	Hose, Coolant
18	520-0544	2	Stud, Mounting (3/8-16 x 1-3/16")	33	501-0744-01	1	Tee, Pipe (1/4")
19	821-5004-03	2	Screw, Self-Locking - Hex Washer Head (3/8-16 x 1")	34	505-2037	1	

Engine Coolant Heater Control

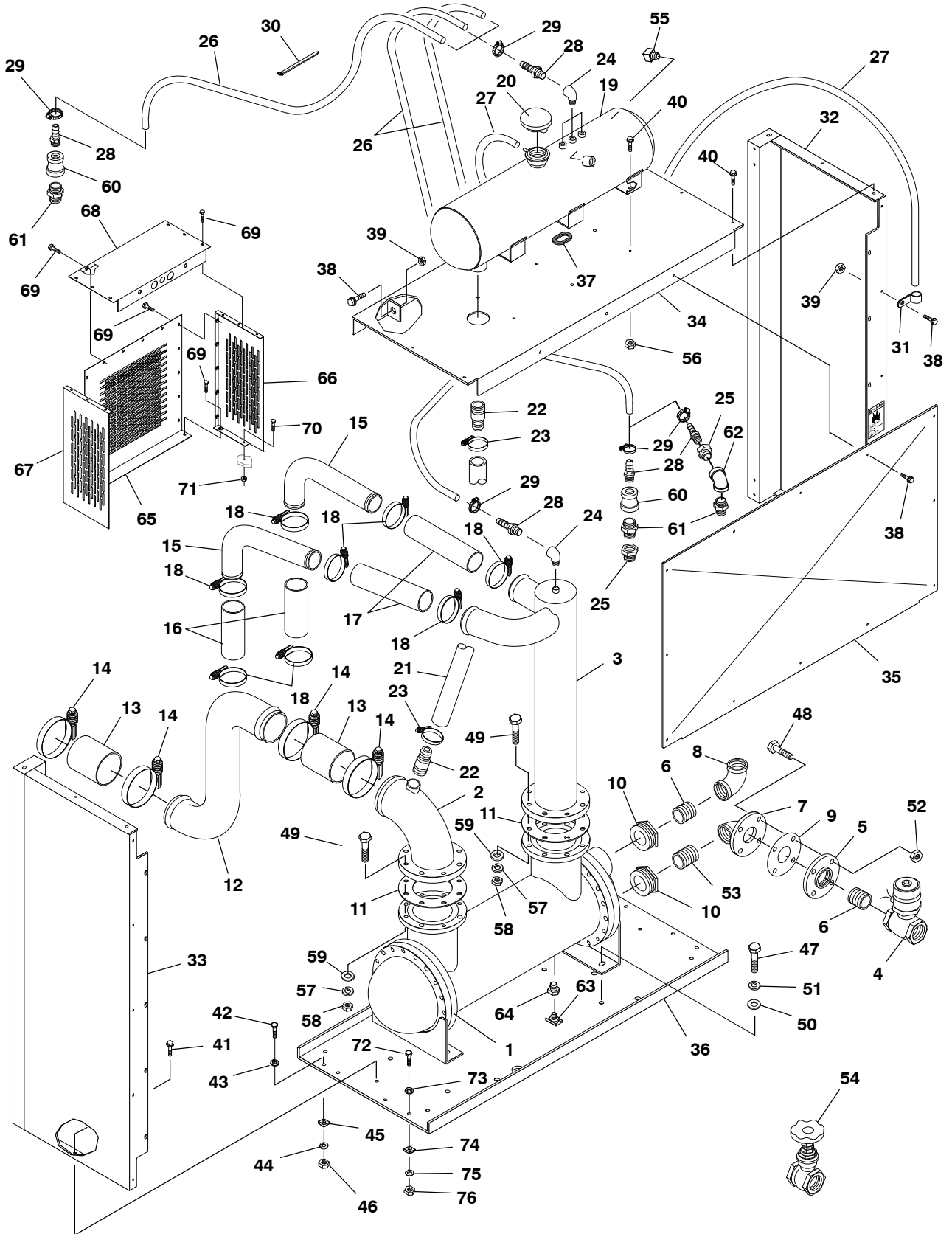


Engine Coolant Heater Control

REF NO.	PART NO.	QTY USED	PART DESCRIPTION	REF NO.	PART NO.	QTY USED	PART DESCRIPTION
1	319-4787-02	1	Box, Terminal	14	357-0030	1	* Rectifier, Silicon (6 Amp)
2	130-4552	2	Cover, Coolant Heater	15	323-1491	A/R	* Pin, Contact
3	331-0555	5	Nut, Connector Lock (3/4-14)	16	323-1492	A/R	* Socket, Contact
4	517-0138-02	2	Plug, Hole (Fits 1-1/8" Hole)	17	323-1494	A/R	* Connector, Receptacle (3 Pin)
5	332-1469	1	Strip, Marker	18	323-1502	1	* Wedge, Receptacle (3 Pin)
6	332-1468	1	Block, Terminal - 12 Place (TB1)	19	323-1504	2	* Connector, Plug (2 Socket)
7	307-2859	1	Relay, Power - 24VDC	20	323-1500	2	* Wedge, Plug (2 Socket)
8	815-0447	5	Screw, Machine - Round Head - Cross Recessed - Thread Cutting - W/IT (#8-32 x .75)	21	323-1652	1	* Plug (2 Pin)
9	332-3440	2	Jumper, Terminal	22	323-1718	A/R	* Pin, Contact
10	331-0042	1	Connector, Wiring - DC - Romex (3/4")	23	323-1445	2	* Seal, Cable
11	338-4105-08	1	Harness, Heater - Engine - 42" (Includes 2 Conduit Connectors - 90° (3/4) (331-0554)	24	307-2817-01	1	Relay
12	338-4105-09	1	Harness, Heater - Engine - 80" (Includes 2 Conduit Connectors - (1) 90° (3/4) (331-0554) and (1) (331-0570)	25	815-0203	1	Screw, Brass - Round Head - W/ET (#10-32 x 7/8)
13	338-4276	1	Harness, Heater (Includes Parts Marked *)	26	856-0003	1	Washer, Lock - W/EIT (#10)
				27	871-0010	1	Nut, Hex - Brass (#10-32)
				28	526-0049	2	Washer, Flat - Brass (#10)
				29	870-0131	1	Nut, Hex - W/ET (#10-32)
				30	815-0539	6	Screw, Machine - Round Head - Cross Recessed W/IT (#8-32 x 5/8")
				31	870-0131	6	Nut, Hex - W/ET (#10-32)

* - Parts Included in 338-4276 Wiring Harness

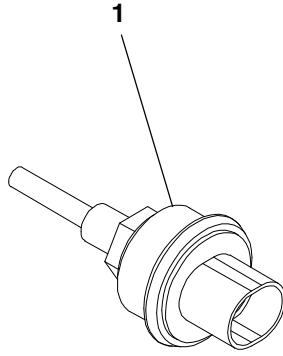
Heat Exchanger DFLB, DFCL



Heat Exchanger DFLB, DFCL

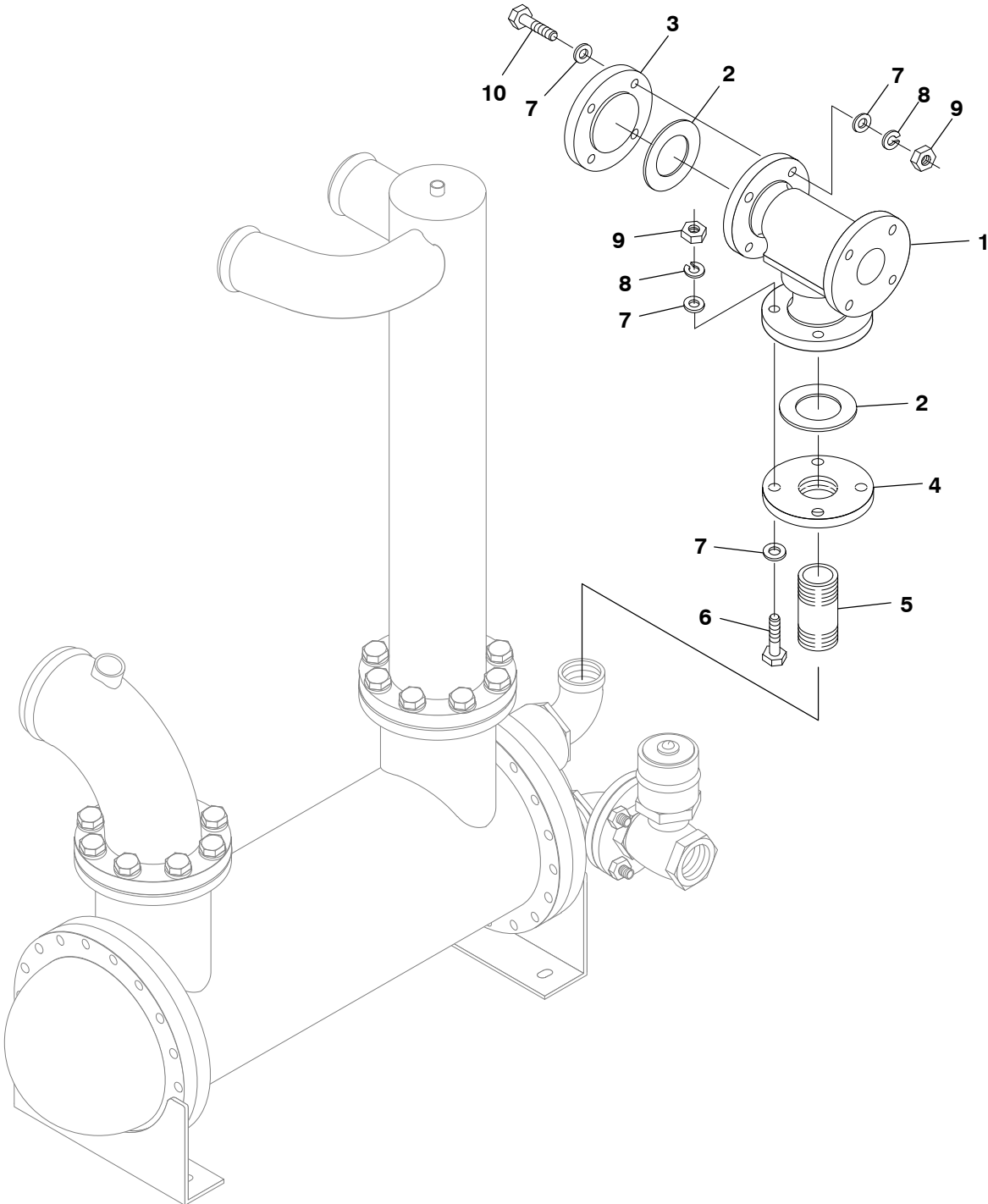
REF NO.	PART NO.	QTY USED	PART DESCRIPTION	REF NO.	PART NO.	QTY USED	PART DESCRIPTION
1	130-3772	1	Exchanger, Heat	39	870-0550-07	6	Nut, Flange Head (5/16-18)
2	130-3773	1	Elbow, Outlet	40	821-5004-02	13	Screw, Self-Locking - Hex Washer Head (3/8-16 x 3/4")
3	130-3774	1	Manifold, Inlet	41	821-0033	6	Screw, Self-Locking - Hex Washer Head (7/16-14 x 3/4")
4	307-2711	1	Valve, Solenoid (2-1/2")	42	800-0094	2	Screw, Cap - Hex Head (1/2-13 x 2")
5	155-0899	1	Flange, Companion (2-1/2")	43	526-0219	2	Washer, Flat (1/2")
6	505-0103	2	Nipple, Pipe (2-1/2" ID x 2-1/2")	44	850-0060	2	Washer, Lock - Spring (1/2")
7	505-1442	1	Elbow, Flange - 90° (2-1/2" x 2-5/8")	45	403-2733-01	2	Washer, Bevel (9/16" ID)
8	505-0044	1	Elbow, Pipe - 90° (2-1/2")	46	862-0016	2	Nut, Hex (1/2-13)
9	155-2514	1	Gasket, Flange	47	800-0133	4	Screw, Cap - Hex Head (5/8-11 x 1-3/4")
10	505-1441	2	Bushing, Pipe - Hex (2-1/2" x 4")	48	800-0135	4	Screw, Cap - Hex Head (5/8-11 x 2-1/4")
11	155-2503	2	Gasket	49	800-0160	16	Screw, Cap - Hex Head (3/4-10 x 3-1/4")
12	130-3765	1	Tube, Outlet	50	526-0112	4	Washer, Flat (5/8")
13	503-1726	2	Hose, Radiator (5" ID x 6")	51	850-0070	4	Washer, Lock - Spring (5/8")
14	503-1872-10	4	Clamp, Hose	52	862-0007	4	Nut, Hex (5/8-11)
15	130-3764	2	Tube, Inlet	53	505-0114	1	Nipple, Pipe - Short (2-1/2" x 3")
16	503-1762	2	Hose, Coolant (3" ID x 8-1/2")	54	504-0175	1	Valve, Gate (2-1/2")
17	503-1727	2	Hose, Coolant (3" ID x 10")	55	505-0054	1	Plug, Square Head (1/4" - DFLB)
18	503-1872-05	8	Clamp, Hose	56	870-0550-09	6	Nut, Flange Head (3/8-16)
19	130-3766	1	Tank, Expansion	57	850-0079	16	Washer, Lock - Spring (3/4")
20	130-0449	1	Cap, Expansion Tank	58	862-0008	16	Nut, Hex (3/4-10)
21	503-1764	1	Hose, Flexible (1-1/2" ID x 30")	59	526-0027	16	Washer, Flat (3/4")
22	505-1429	2	Nipple, Combination (1-1/2" Pipe to 1-1/2" Hose)	60	505-0153	3	Coupling, Pipe - Reducer (3/8" to 1/4") - DFCL
23	503-1872-02	2	Clamp, Hose	61			Valve, Check (3/8" Pipe to 1/4" Pipe)
24	505-0011	4	DFLB	309-0635-02	2	DFLB	
	505-0011	5	DFLC	309-0635-02	3	DFLC	
25	505-0017	2	Bushing, Reducer (3/8" to 1/4")	62	505-0376	2	Elbow, Pipe - 45° (3/8") - DFLB
26	503-1620	-	Hose - Bulk (3/8" ID) (Order By The Foot) - 14 Feet Required	63	504-0028	1	Cock, Drain (3/8")
27	503-1418	-	Hose - Bulk (1/4" ID) (Order By The Foot - 9 Feet Required)	64	505-0019	1	Bushing, Pipe - Reducer (1/2" to 3/8")
28			Connector, Hose - Barbed (1/4" Pipe to 3/8" Hose)	65	130-3715	1	Cover, Damper Guard
	502-1162	6	DFLB	66	130-3714-01	1	Guard, Damper - Right Side
	502-1162	7	DFLC	67	130-3714-02	1	Guard, Damper - Left Side
29			Clamp, Hose	68	130-3713	1	Guard, Damper - Top
	503-0685	7	DFLB	69	821-5002-03	22	Screw, Hex Head (1/4-20 x 1/2")
	503-0685	8	DFLC	70	821-5004-03	2	Screw, Hex Head (3/8-16 x 1")
30	332-1389	12	Tie, Cable	71	870-0281	2	Nut, Hex - Locking (3/8-16)
31	518-0548-08	4	Clamp, Hose	72	800-0053	4	Screw, Cap - Hex Head (3/8-16 x 1-3/4")
32	130-3592-02	1	Guard, Heat Exchanger - Right Side	73	526-0030	4	Washer, Flat (3/8")
33	130-3592-01	1	Guard, Heat Exchanger - Left Side	74	850-0050	4	Washer, Lock - Spring (3/8")
34	130-3769	1	Panel, Top	75	403-2733-02	4	Washer, Bevel (3/8")
35	130-3767	1	Panel, Front	76	862-0003	4	Nut, Hex (3/8")
36	130-3770	1	Base, Heat Exchanger				
37	508-1090	1	Grommet, Rubber (Fits 3-1/4" Hole)				
38	821-5003-03	15	Screw, Self-Locking - Hex Washer Head (5/16-18 x 3/4")				

Low Coolant Level Sender



REF NO.	PART NO.	QTY USED	PART DESCRIPTION	REF NO.	PART NO.	QTY USED	PART DESCRIPTION
1	193-0468	1	Sender, Low Coolant Level (S7)				

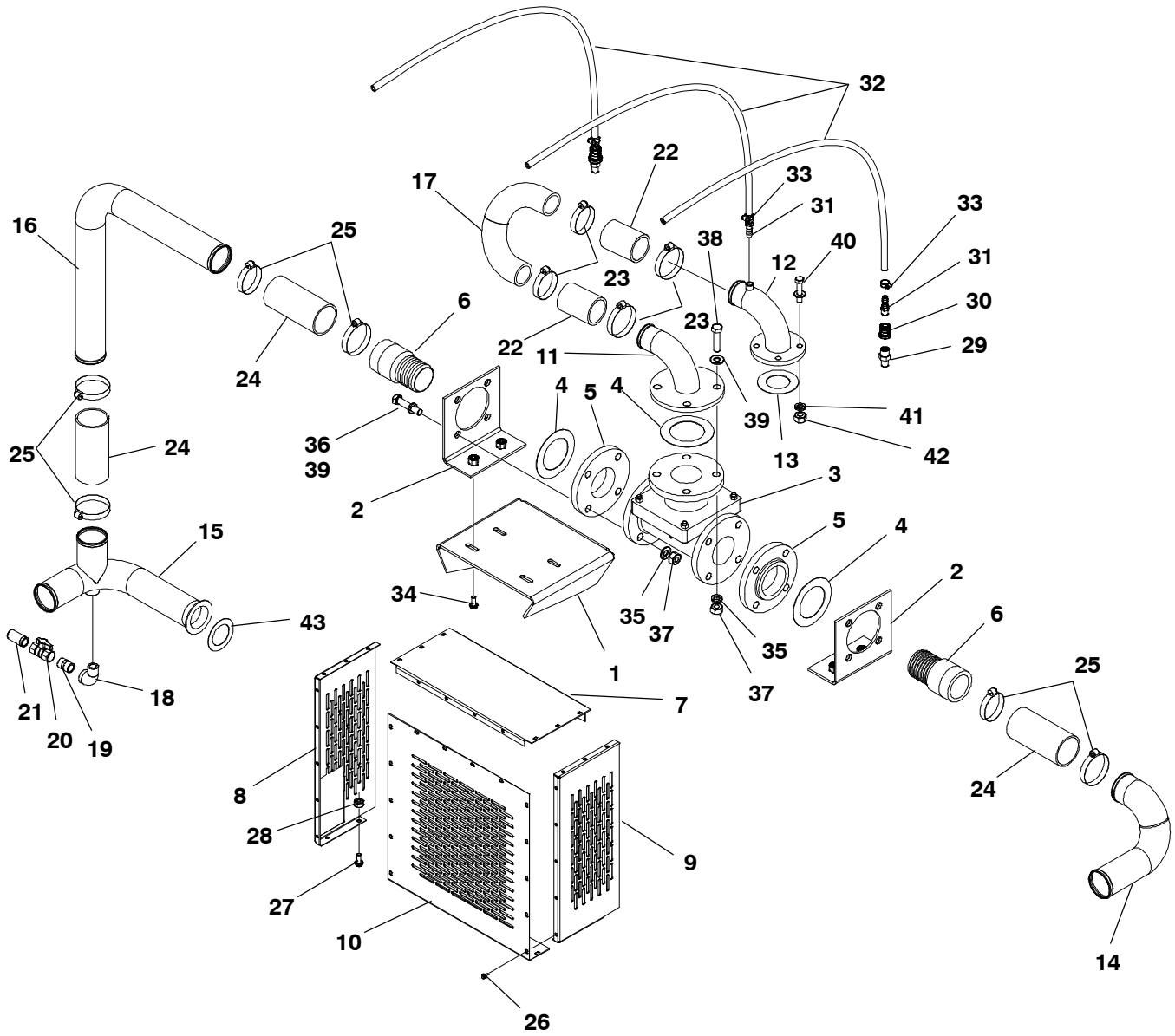
Thermostatic Valve DFLB, DFCL



E045

REF NO.	PART NO.	QTY USED	PART DESCRIPTION	REF NO.	PART NO.	QTY USED	PART DESCRIPTION
1	309-0607	1	Valve, Thermostatic	6	800-0138	4	Screw, Cap - Hex Head (5/8-11 x 3")
2	155-2514	2	Gasket, Flange	7	526-0112	16	Washer, Flat (5/8")
3	505-1440	1	Flange, Blind	8	850-0070	8	Washer, Lock - Spring (5/8")
4	155-0899	1	Flange, Companion	9	862-0007	8	Nut, Hex (5/8-11)
5	505-0103	1	Nipple, Pipe (1-1/2" NPT x 2-1/2")	10	800-0310-82	4	Screw, Cap - Hex Head (5/8-11 x 2.50)

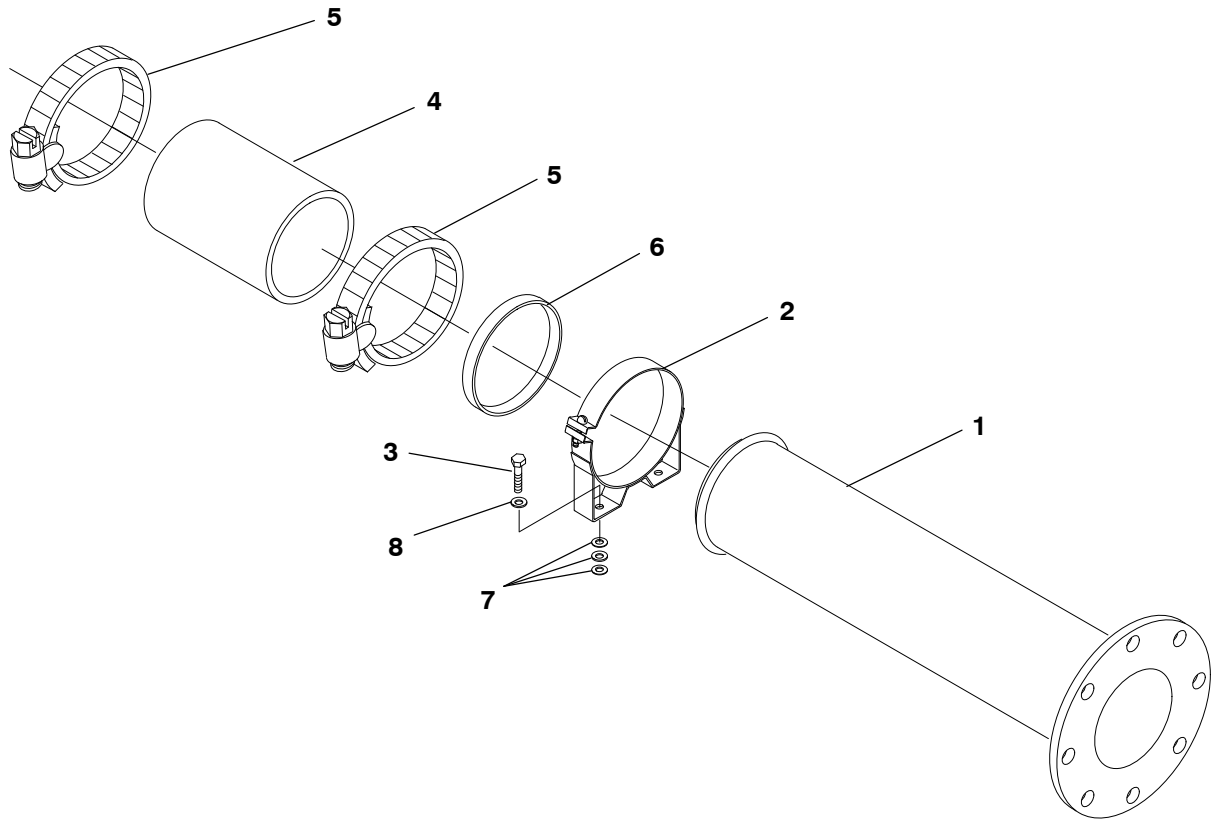
Thermostatic Valve DFLE



Thermostatic Valve DFLE

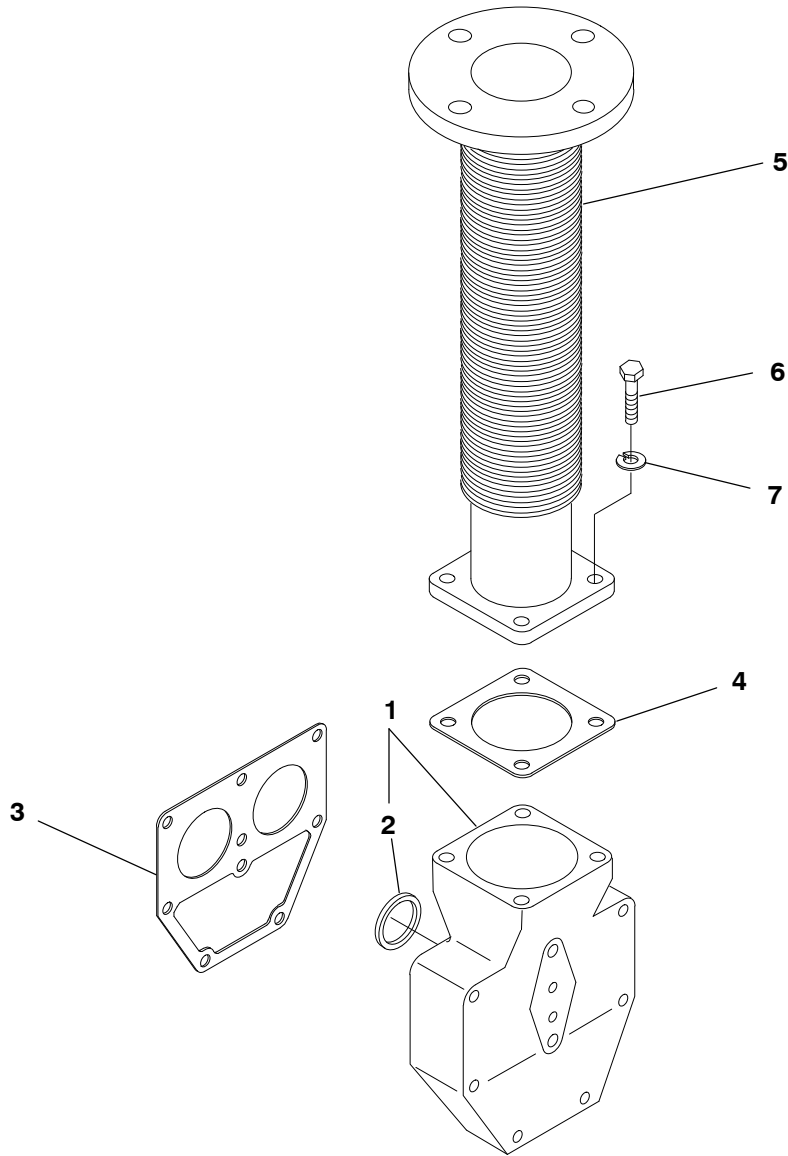
REF NO.	PART NO.	QTY USED	PART DESCRIPTION	REF NO.	PART NO.	QTY USED	PART DESCRIPTION
1	130-5407-02	1	Bracket, Angle	25	503-1872-05	6	Clamp, Hose
2	130-5408-02	2	Bracket, L	26	821-5002-03	22	Screw, Hex (1/4-20 x .50)
3	504-0207	1	Valve, Thermostatic	27	821-5004-03	2	Screw, Hex (3/8-16 x 1.00)
4	155-2514-04	3	Gasket, Flange	28	870-0281	2	Nut, Hex - Whiz Lok (3/8-16)
5	505-0601	2	Flange, Companion	29	309-0635-02	2	Valve, Check
6	505-1549	2	Adapter, Pipe	30	505-0153	2	Coupling, Reducer (3/8 x 1/4)
7	130-3713	1	Guard, Damper - Top	31	502-1162	3	Fitting, Barbed Hose
8	130-3714-01	1	Guard, Damper - Side	32	503-1620	-	Hose, Fuel (3/8 ID) - Bulk (Order by the Foot - 5 Feet Required)
9	130-5308-02	1	Guard, Damper - Side				
10	130-3715	1	Cover, Damper - Guard				
11	130-5403-02	1	Tube, Water (3")	33	503-0685	3	Clamp, Hose
12	130-5401-02	1	Tube, Water (2-1/2")	34	821-2061	4	Screw, Locking - Flange Head (M10 x 1.5 x 25)
13	155-2514-03	1	Gasket, Flange				
14	130-5405-02	1	Tube, Water - LTA Out	35	850-0114-10	12	Washer, Lock - Split (5/8)
15	130-5406-02	1	Tube, Water - Lower LTA	36	800-0138	8	Screw, Cap - Hex Head (5/8-11 x 3.0)
16	130-5402-02	1	Tube, Water - Bypass				
17	130-5404-02	1	Tube, Water - Upper LTA	37	862-0007	12	Nut, Hex (5/8-11)
18	505-0051	1	Elbow, Street - 90°	38	800-0310-82	4	Screw, Cap - Hex Head (5/8-11 x 2.50)
19	505-0102	1	Nipple, Pipe (3/4 x 1.38)				
20	504-0171	1	Valve	39	526-0399-28	12	Washer, Flat (5/8)
21	505-0324	1	Nipple, Pipe Half (3/4)	40	526-0399-25	8	Washer, Flat (1/2)
22	503-1708	2	Hose, Radiator	41	850-0114-09	4	Washer, Lock - Split (1/2)
23	503-1872-04	4	Clamp, Hose	42	862-0005	4	Nut, Hex (1/2-13)
24	503-1728	3	Hose, Radiator (3.00 x 5.50)	43	155-3461	1	Gasket, Water Pump

Water Inlet DFLB, DFCL



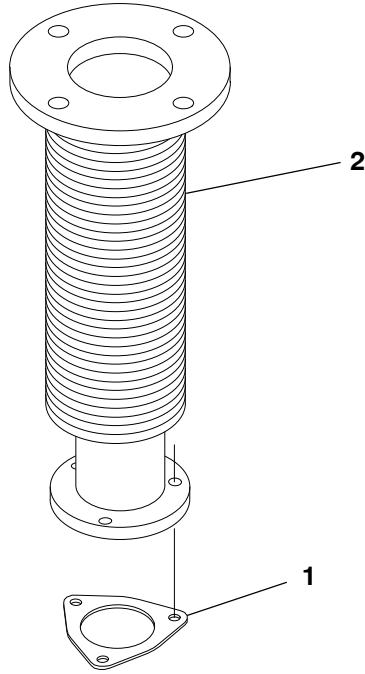
REF NO.	PART NO.	QTY USED	PART DESCRIPTION	REF NO.	PART NO.	QTY USED	PART DESCRIPTION
1	130-4517	1	Tube, Water Inlet	6	895-0182	-	Stripping, Weather - Bulk (1/4" Thk x 3/4" Wide) (Order By The Foot - 2 Feet Required)
2	140-0519	1	Band, Mounting	7			Washer, Flat (15/32" ID x 1-1/2" OD x 1/4" Thk)
3	800-0006	2	Generator Sets with Standby Power (1/4-20 x 7/8")	526-0128	6		Generator Sets With Standby Power
	800-0009	2	Generator Sets with Prime Power (1/4-20 x 1-1/2")	526-0128	10		Generator Sets With Prime Power
4	503-1726	1	Hose (5" ID x 6")	8	526-0015	2	Washer, Flat (1/4")
5	503-1872-10	2	Clamp, Hose				

Water Outlet DFLB



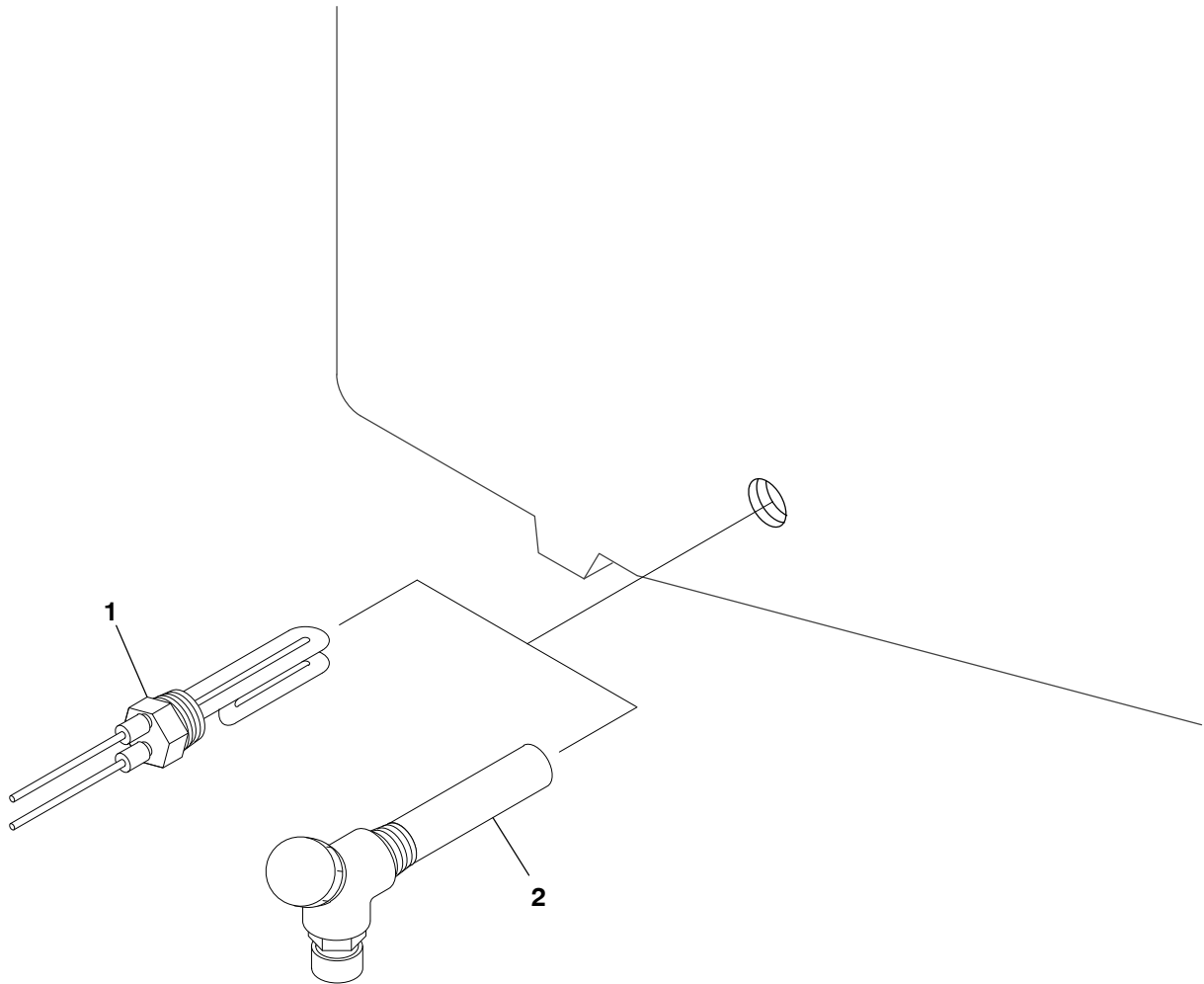
REF NO.	PART NO.	QTY USED	PART DESCRIPTION	REF NO.	PART NO.	QTY USED	PART DESCRIPTION
1	309-0612	2	Housing, Thermostat (Includes Seals - Ref No. 2)	5	130-3686	2	Tube, Water Outlet
2	309-0613	4	Seal, Thermostat	6	800-0051	8	Screw, Cap - Hex Head (3/8-16 x 1-1/4")
3	130-3679	2	Gasket, Thermostat Housing	7	850-0050	8	Washer, Lock - Spring (3/8")
4	130-3680	2	Gasket, Connection				

Water Outlet DFLC



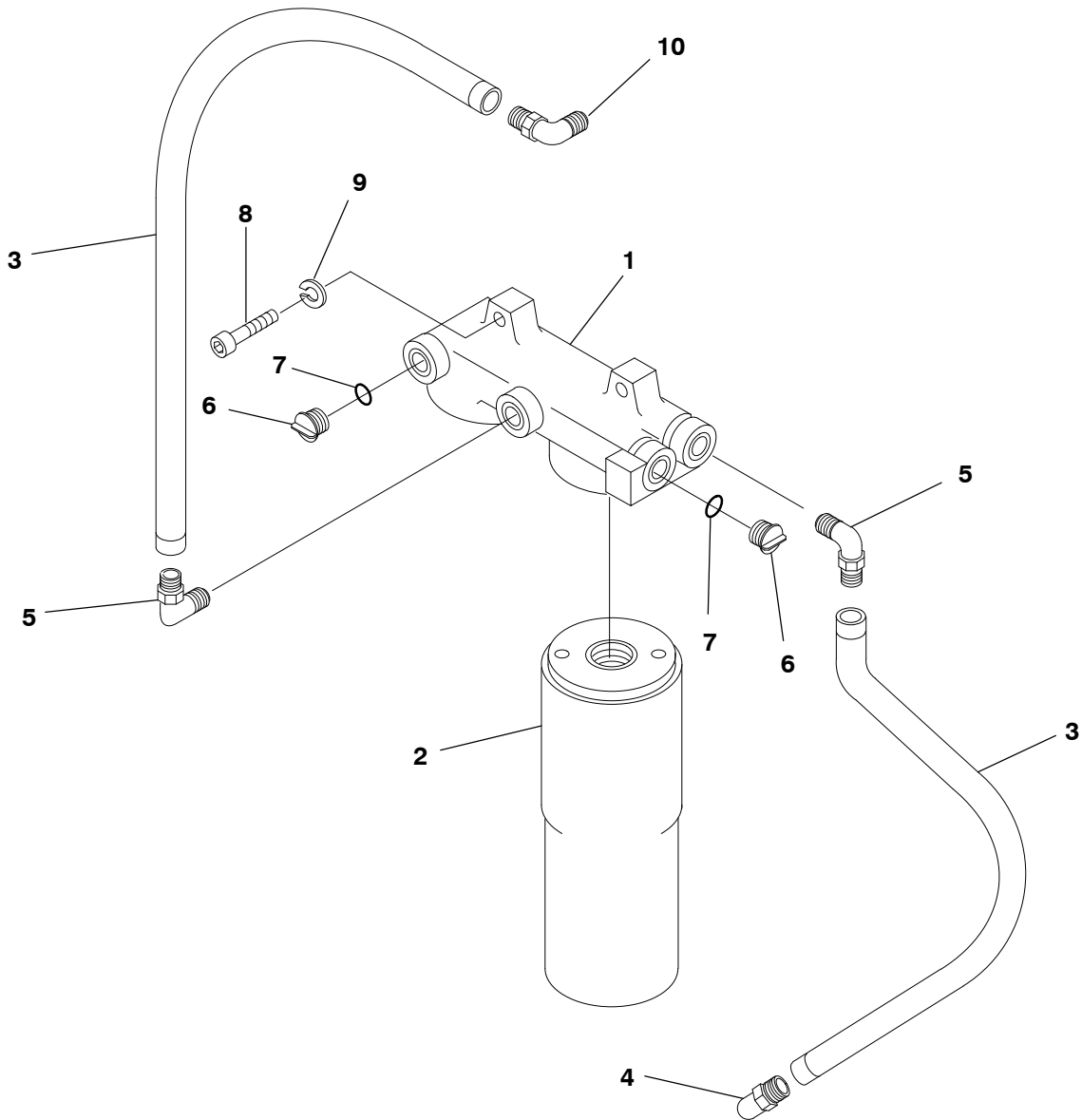
REF NO.	PART NO.	QTY USED	PART DESCRIPTION	REF NO.	PART NO.	QTY USED	PART DESCRIPTION
1	130-3684	2	Gasket, Connection	2	130-3687	2	Tube, Water Outlet

Oil Pan Heater



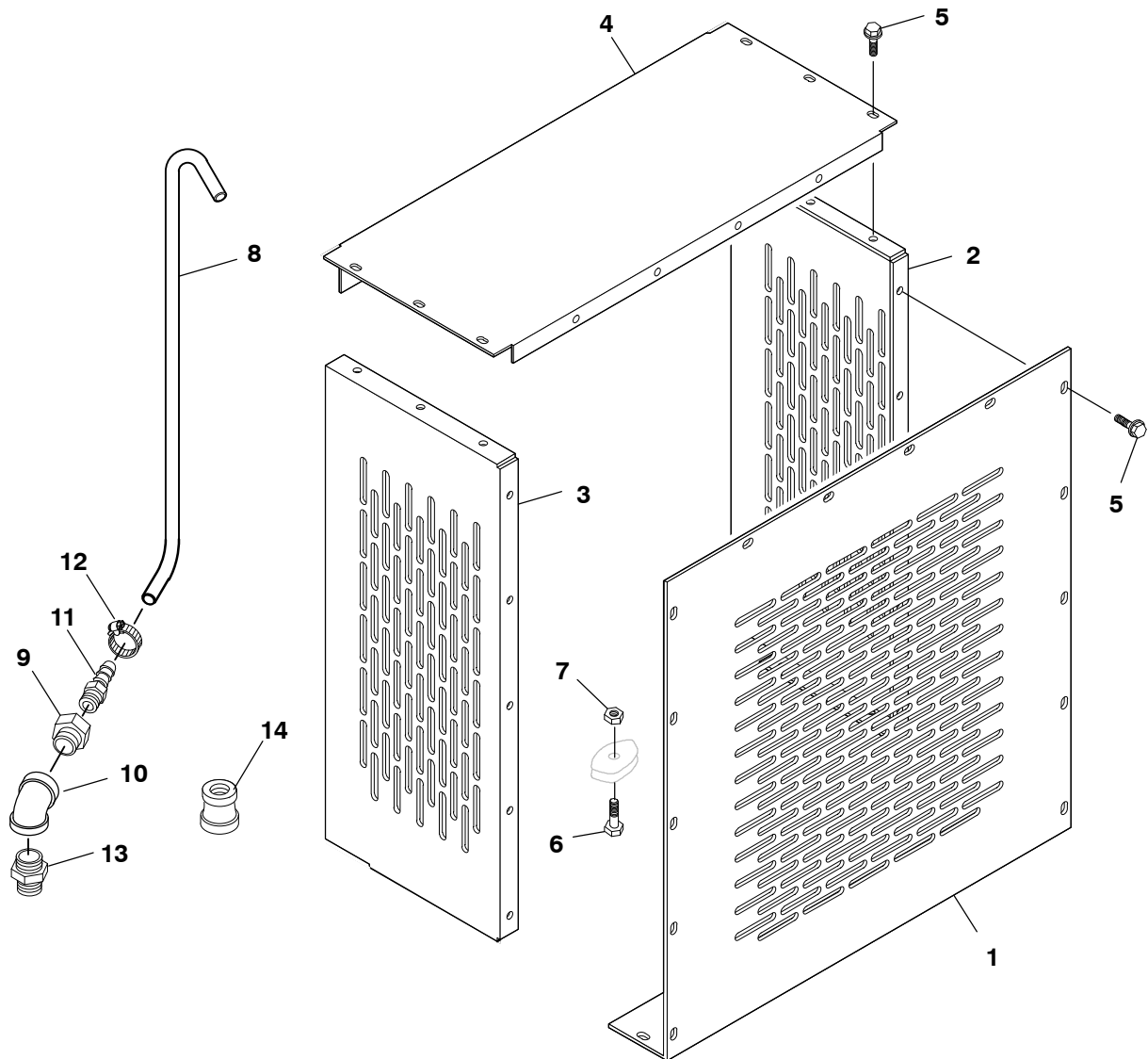
REF NO.	PART NO.	QTY USED	PART DESCRIPTION	REF NO.	PART NO.	QTY USED	PART DESCRIPTION
1	333-0407-02	1	Heater, Oil (300 Watt) 120 Volt	2	333-0407-05	1	Heater, Oil (300 Watt, 480 Volt)
	333-0407-04	1	240 Volt				

Oil Bypass Filter



REF NO.	PART NO.	QTY USED	PART DESCRIPTION	REF NO.	PART NO.	QTY USED	PART DESCRIPTION
1	122-0776	1	Head, Oil Filter	7	509-0272-01	2	Seal, O-Ring
2	122-0777	2	Element, Oil Filter	8	800-0075	2	Screw, Cap - Hex Head (7/16-14 x 2")
3	501-0537-49	2	Hose, Flexible (18")	9	850-0055	2	Washer, Lock - Spring (7/16")
4	502-1043-12	1	Elbow, Male Adapter	10	502-1072-30	1	Elbow, Male Union
5	502-1072-14	2	Elbow, Male Union				
6	505-1428	2	Plug, O-Ring				

Damper Guard Sets with Remote Radiator or Heat Exchanger DFLB, DFCL



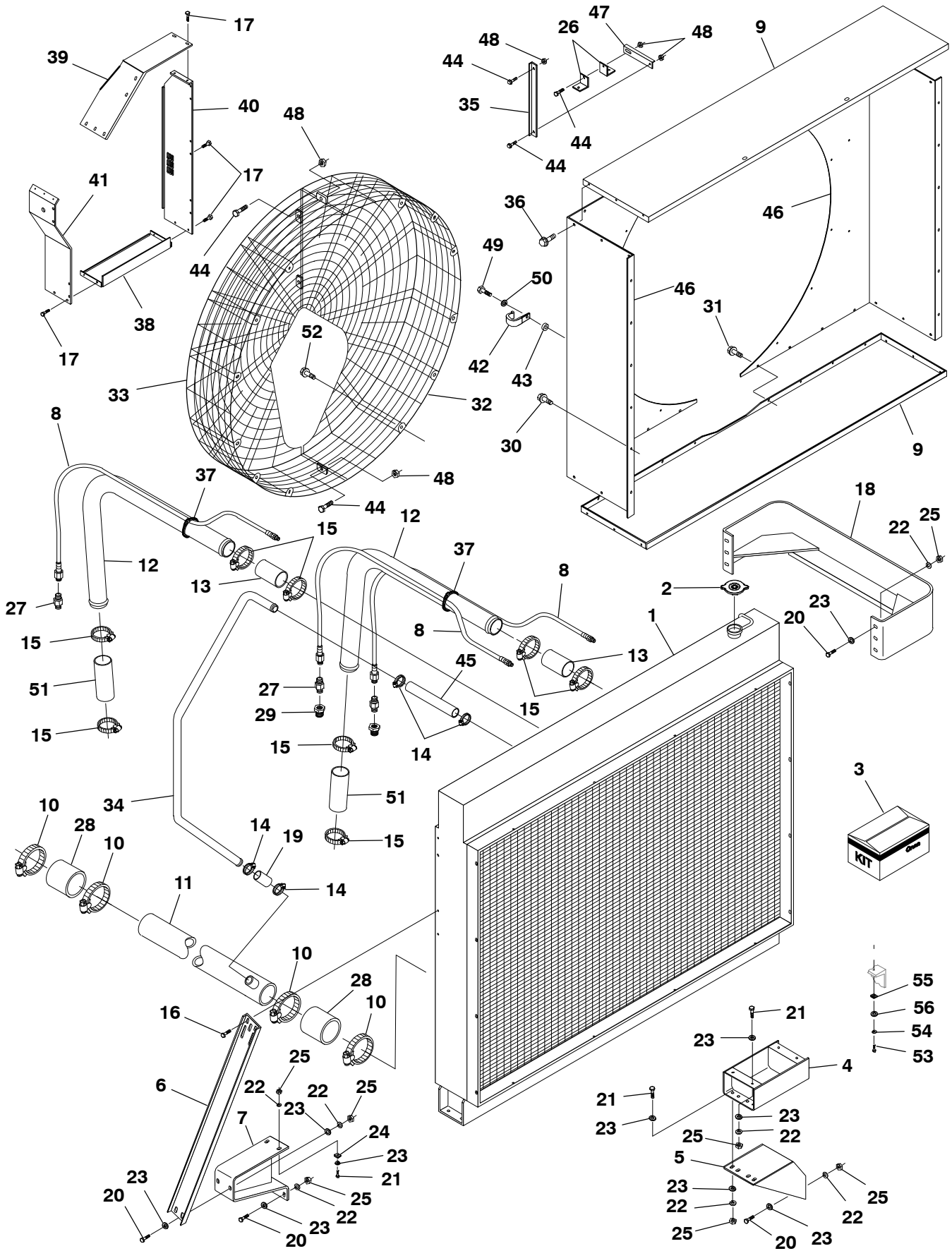
REF NO.	PART NO.	QTY USED	PART DESCRIPTION	REF NO.	PART NO.	QTY USED	PART DESCRIPTION
1	130-3715	1	Cover, Damper Guard	10	505-0376	2	* Elbow - 45° (3/8") - DFLB
2	130-3714-01	1	Guard, Damper - Right Side	11	502-1162	2	Connector, Hose (3/8")
3	130-3714-02	1	Guard, Damper - Left Side		502-1162	3	DFLB
4	130-3713	1	Guard, Damper - Top		502-1162	3	DFLC
5	821-5002-03	22	Screw, Self-Locking - Hex Washer Head (1/4-20 x 1/2")	12			* Clamp, Hose
6	821-5004-03	2	Screw, Self-Locking - Hex Washer Head (3/8-16 x 1")		503-0685	2	DFLB
7	870-0281	2	Nut, Self-Locking - Hex Washer Head (3/8-16)		503-0685	3	DFLC
8		-	* Hose - Bulk (3/8" ID) (Order by the Foot)	13			* Valve, Check
	503-1620	-	5 Feet - DFLB		309-0635-02	2	DFLB
	503-1620	-	8 Feet - DFCL		309-0635-02	3	DFLC
9	505-0017	2	* Bushing, Pipe - Reducer (3/8" to 1/4")	14	505-0153	3	* Coupling, Reducer (3/8 x 1/4) - DFLC

* - Parts used on sets with Remote Radiator

Radiator DFLB

REF NO.	PART NO.	QTY USED	PART DESCRIPTION	REF NO.	PART NO.	QTY USED	PART DESCRIPTION
1	130-3616	1	Radiator (Includes Radiator Cap [Ref No. 2] and Overflow Tube)	30	862-0016	26	Nut, Hex (1/2-13)
2	130-3588	1	Cap, Radiator	31	130-3776	1	Angle, Stiffener
3	130-3642	2	Spacer, Radiator	32	518-0633	2	Clip, J
4	130-3639	2	Bracket, Radiator Support	33	526-0112	8	Washer, Flat (5/8")
5	130-4860	2	Support, Radiator	34	850-0070	10	Washer, Lock - Spring (5/8")
6	130-3644	2	Support	35	862-0007	14	Nut, Hex (5/8-11)
7	130-3651	1	Fan Shroud Assembly (Includes Bearing and Shaft - Ref No. 8 and 9)	36	815-0384	12	Screw, Hex Washer Head - Thread Forming (3/8-16 x 3/4")
8	130-4215	2	Bearing (Not Illustrated)	37	870-0550-09	28	Nut, Hex - Locking (3/8-16)
9	130-4216	1	Shaft (Not Illustrated)	38	130-3647-01	1	Guard, Fan - Right Side
10	503-1872-02	4	Clamp, Hose	39	130-3647-02	1	Guard, Fan - Left Side
11	503-1726	2	Hose, Radiator (5" ID x 6")	40	526-0029	2	Washer, Flat (3/8")
12	503-1872-10	4	Clamp, Hose	41	800-0132	8	Screw, Cap - Hex head (5/8-11 x 1-1/2")
13	130-4152-02	1	Tube, Radiator Outlet (5" OD x 48")	42	309-0635-02	2	Valve, Check
14	130-3649	2	Tube, Radiator Inlet (3" OD x 5-1/2")	43	505-0376	2	Elbow, 45° (3/8")
15	503-1728	4	Hose, Radiator (3" ID)	44	870-0550-05	8	Nut, Hex - Locking (1/4-20)
16	501-0744-04	2	Hose, Coolant	45	821-5003-01	20	Screw, Self-Locking - Hex Washer Head (5/16-18 x 1/2")
17	503-1872-05	8	Clamp, Hose	46	130-3827	2	Grille - Spec S
18	800-0051	4	Screw, Cap - Hex Head (3/8-16 x 1-1/4")	47	130-3826	2	Support, Grille
19	821-5004-03	28	Screw, Self-Locking - Hex Washer Head (3/8-16 x 1")	48	130-3663	2	Support, Grille - Bottom Spec S
20	850-0050	6	Washer, Lock - Spring (3/8")	49	130-3663	1	Begin Spec T
21	821-5002-03	21	Screw, Self-Locking - Hex Washer Head (1/4-20 x 1/2")		130-3662	2	Support, Grille - Top Spec S
22	403-2733-02	4	Washer, Bevel (3/8")		130-3662	1	Begin Spec T
23	503-1863	2	Hose, Radiator (1-1/2" x 6")	50	332-3008	10	Tie, Cable
24	800-0092	16	Screw, Cap - Hex Head (1/2-13 x 1-1/2")	51	130-3675	1	Guard, Belt - Left Side
25	130-4155	1	Tube, Radiator (1-1/2" ID)	52	130-3677	1	Guard, Belt - Top
26	800-0094	10	Screw, Cap - Hex Head (1/2-13 x 2")	53	130-3676	1	Guard, Belt - Right Side
27	850-0060	26	Washer, Lock - Spring (1/2")	54	130-3672	1	Guard, Belt - Bottom
28	526-0219	32	Washer, Flat (1/2")	55	130-3779	1	Angle, Engine
29	403-2733-01	4	Washer, Bevel (1/2")	56	403-3278	1	Brace, Fan
				57	403-3277	1	Brace, Fan
				58	503-1870-05	2	Clamp, Hose
				59	800-0061	2	Screw, Cap - Hex Head (3/8-16 x 3-3/4")

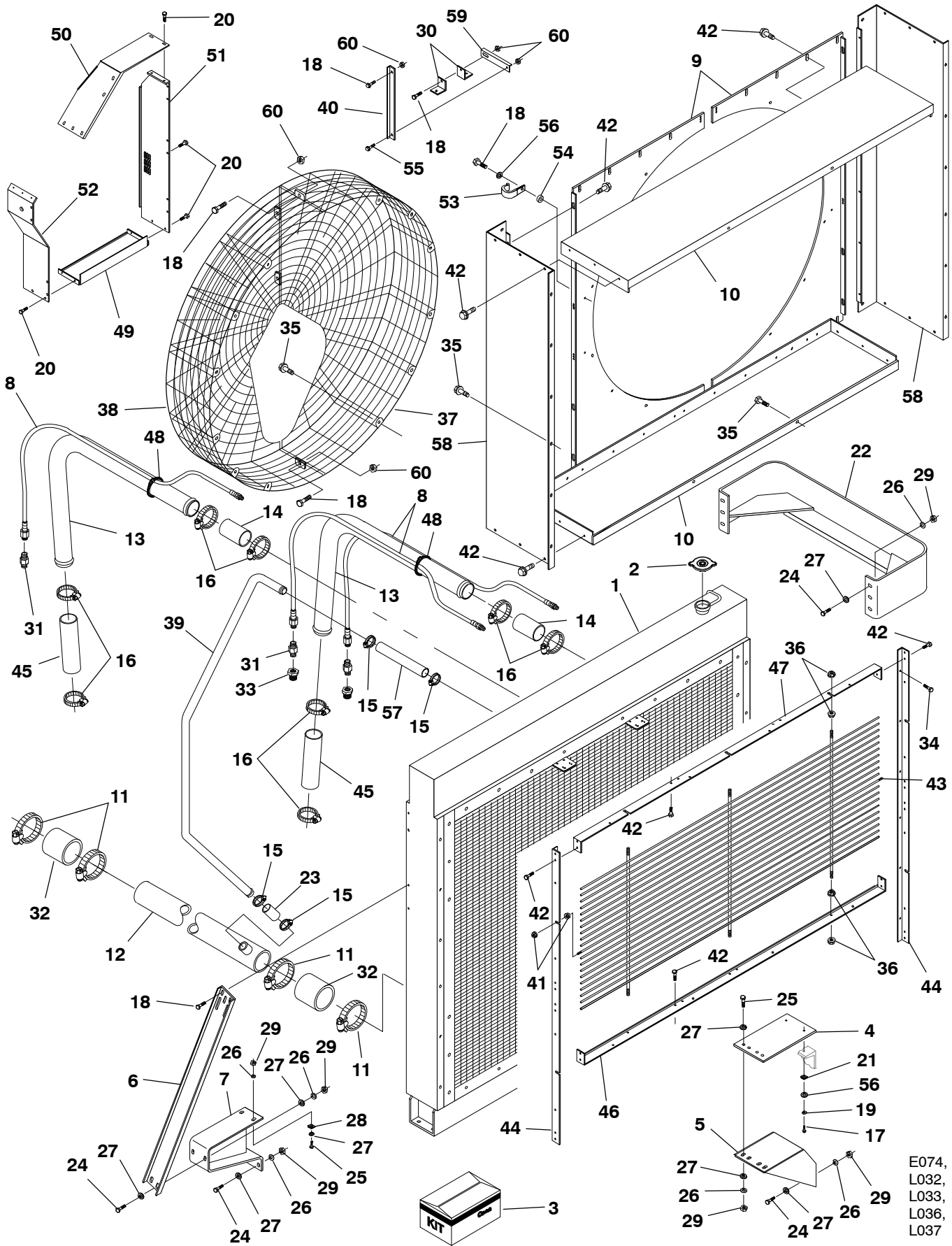
Radiator - 40°C Ambient DFLC



Radiator – 40°C Ambient DFLC

REF NO.	PART NO.	QTY USED	PART DESCRIPTION	REF NO.	PART NO.	QTY USED	PART DESCRIPTION
1			Radiator (Includes Radiator Cap [Ref No. 2] and Overflow Tube)	30	815-0384	12	Screw, Hex Washer Head – Thread Forming (3/8–16 x 3/4")
	130-5109	1	Stoneguard	31	821-5004-02	16	Screw, Self-Locking – Hex Washer Head (3/8–16 x 3/4")
	130-5109-01	1	No Stoneguard				
2	130-3588	1	Cap, Radiator	32	130-4297-02	1	Guard, Fan – Right Side
3	130-4362	1	Kit, Repair – Radiator Sight Gauge (Includes Glass Bulb and O-Ring)	33	130-4297-01	1	Guard, Fan – Left Side
				34	130-5202-02	1	Tube, Radiator (1–1/2")
				35	130-4219	1	Angle, Stiffener
4	130-5198-02	2	Spacer, Radiator	36	821-5003-01	80	Screw, Self-Locking – Hex Washer Head (5/16–18 x 1/2")
5	130-5194-02	2	Bracket, Radiator Support				
6	130-4860	2	Support, Radiator				
7	130-4191	2	Support	37	332-3008	10	Tie, Cable
8	501-0744-02	3	Hose, Coolant	38	130-4294	1	Guard, Belt – Bottom
9	130-5200-02	2	Fan Shroud	39	130-4296	1	Guard, Belt – Top
10	503-1872-09	4	Clamp, Hose	40	130-4295	1	Guard, Belt – Right Side
11	130-4152-01	1	Tube, Radiator Outlet (5" OD x 48")	41	130-4293	1	Guard, Belt – Left Side
				42	518-0633	2	Clip, J
12	130-3648	2	Tube, Radiator Inlet (3" OD)	43	130-3660	2	Spacer
13	503-1728	2	Hose, Radiator (3" ID x 5–1/2")	44	821-0035	6	Screw, Self-Locking – Hex Washer Head (3/8–16 x 1–1/4")
14	503-1872-02	4	Clamp, Hose				
15	503-1872-05	8	Clamp, Hose	45	503-1863-01	1	Hose, Radiator (1–1/2" x 12–1/2")
16	821-5004-03	4	Screw, Self-Locking – Hex Washer Head (3/8–16 x 1")				
17	821-5002-03	21	Screw, Self-Locking (1/4–20 x 1/2")	46	130-5199-02	2	Wrapper, Fan Shroud
				47	130-3777	1	Angle, Stiffener
18	130-4301	2	Bumper, Radiator	48	870-0281	5	Nut, Hex – Locking (3/8–16)
19	503-1863	1	Hose, Radiator (1–1/2" ID x 6")	49	821-0022	2	Screw, Self-Locking – Hex Washer Head (5/16–18 x 1–1/4")
20	800-0092	12	Screw, Cap – Hex Head (1/2–13 x 1–1/2")				
21	800-0094	26	Screw, Cap – Hex Head (1/2–13 x 2")	50	526-2100	2	Washer, Flat (M8)
				51	503-1762	2	Hose (3" ID x 8–1/2")
22	850-0060	46	Washer, Lock – Spring (1/2")	52	821-5003-03	12	Screw, Cap – Hex Head (5/16–18 x 3/4")
23	526-0219	50	Washer, Flat (1/2")				
24	403-2733-01	4	Washer, Bevel (1/2")	53	800-0053	6	Screw, Cap – Hex Head (3/8–16 x 1.75)
25	862-0016	38	Nut, Hex (1/2–13)				
26	130-3780	2	Angle, Engine	54	850-0050	4	Washer, Lock (3/8)
27	309-0635-02	3	Valve, Check	55	403-2733-02	4	Washer, Bevel (3/8)
28	503-1726	2	Hose, Radiator (5" ID x 6")	56	526-0029	4	Washer, Flat (3/8)
29	505-0017	2	Bushing, Reducer (3/8" to 1/4")				

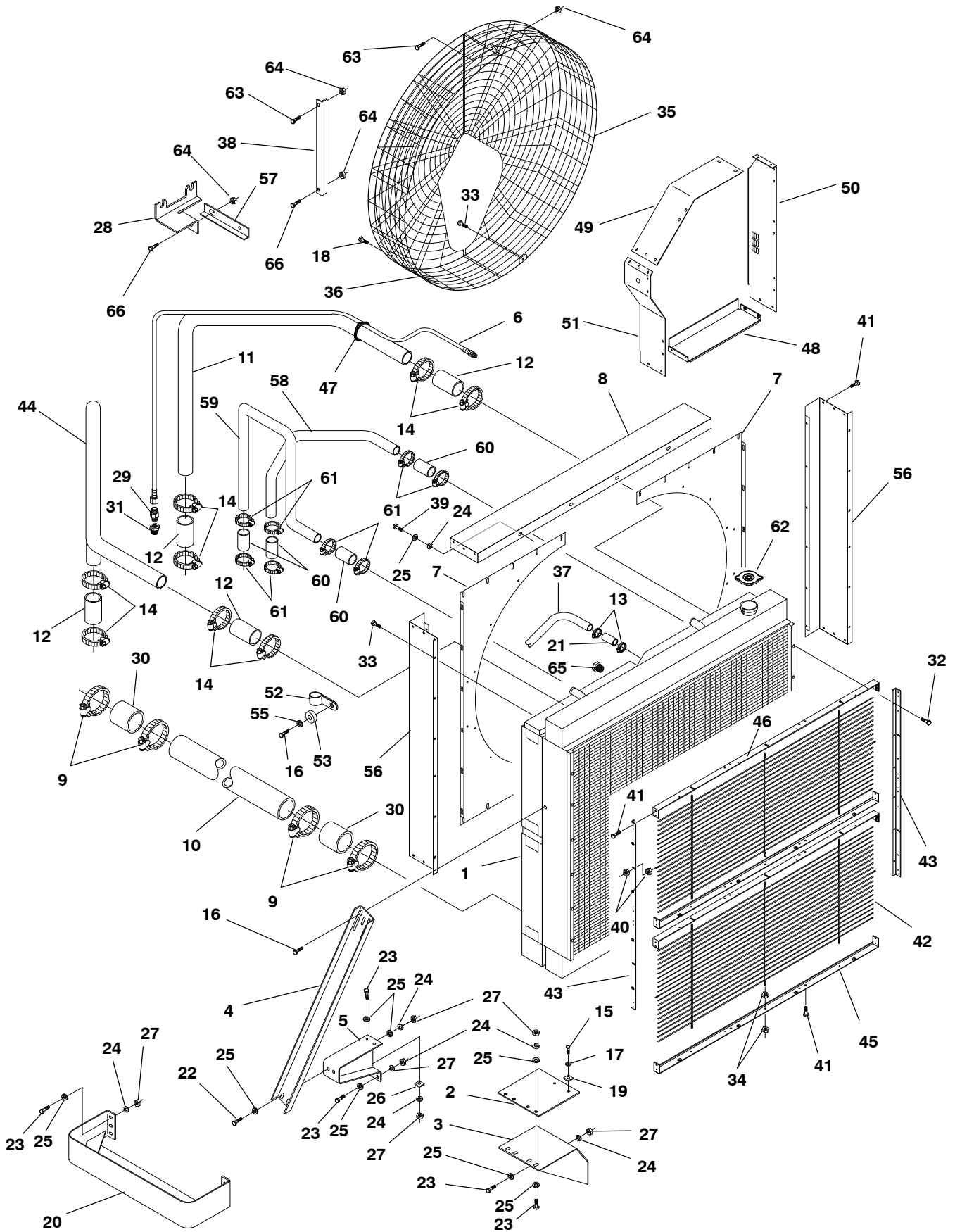
Radiator - 50°C Ambient DFLC



Radiator – 50°C Ambient DFLC

REF NO.	PART NO.	QTY USED	PART DESCRIPTION	REF NO.	PART NO.	QTY USED	PART DESCRIPTION
1	130-5108	1	Radiator (Includes Radiator Cap [Ref No. 2] and Overflow Tube)	31	309-0635-02	3	Valve, Check
2	130-3588	1	Cap, Radiator	32	503-1726	2	Hose, Radiator (5" ID x 6")
3	130-4362	1	Kit, Repair – Radiator Sight Gauge (Includes Glass Bulb and O-Ring)	33	505-0017	2	Bushing, Reducer (3/8" to 1/4")
4	130-5195-02	2	Spacer, Radiator	34	815-0384	12	Screw, Hex Washer Head – Thread Forming (3/8-16 x 3/4")
5	130-5194-02	2	Bracket, Radiator Support	35	821-5004-02	28	Screw, Self-Locking – Hex Washer Head (3/8-16 x 3/4")
6	130-4860	2	Support, Radiator	36	870-0550-09	23	Nut, Lock – Hex (3/8-16)
7	130-4191	2	Support	37	130-4297-02	1	Guard, Fan – Right Side
8	501-0744-02	3	Hose, Coolant	38	130-4297-01	1	Guard, Fan – Left Side
9	130-4188	2	Fan Shroud	39	130-4155	1	Tube, Radiator (1-1/2")
10	130-5192-02	2	Fan Shroud, Top and Bottom	40	130-4219	1	Angle, Stiffener
11	503-1872-09	4	Clamp, Hose	41	870-0550-05	8	Nut, Hex – Locking (1/4-20)
12	130-4152-01	1	Tube, Radiator Outlet (5" OD x 48")	42	821-5003-01	80	Screw, Self-Locking – Hex Washer Head (5/16-18 x 1/2")
13	130-3648	2	Tube, Radiator Inlet (3" OD)	43	130-4292	2	Grille
14	503-1728	2	Hose, Radiator (3" ID x 5-1/2")	44	130-3826	2	Support, Grille
15	503-1872-02	4	Clamp, Hose	45	503-1727	2	Hose, Radiator (3" ID x 12")
16	503-1872-05	8	Clamp, Hose	46	130-4291	2	Support, Grille – Bottom
17	800-0053	6	Screw, Cap – Hex Head (3/8-16 x 1-1/4")	47	130-4290	2	Support, Grille – Top
18	821-5004-03	4	Screw, Self-Locking – Hex Washer Head (3/8-16 x 1")	48	332-3008	10	Tie, Cable
19	850-0050	4	Washer, Lock – Spring (3/8")	49	130-4294	1	Guard, Belt – Bottom
20	821-5002-03	21	Screw, Self-Locking (1/4-20 x 1/2")	50	130-4296	1	Guard, Belt – Top
21	403-2733-02	4	Washer, Bevel (3/8")	51	130-4295	1	Guard, Belt – Right Side
22	130-4301	2	Bumper, Radiator	52	130-4293	1	Guard, Belt – Left Side
23	503-1863	1	Hose, Radiator (1-1/2" ID x 6")	53	518-0633	2	Clip, J
24	800-0092	12	Screw, Cap – Hex Head (1/2-13 x 1-1/2")	54	130-3660	2	Spacer
25	800-0094	26	Screw, Cap – Hex Head (1/2-13 x 2")	55	821-0035	8	Screw, Self-Locking – Hex Washer Head (3/8-16 x 1-1/4")
26	850-0060	46	Washer, Lock – Spring (1/2")	56	526-0029	6	Washer, Flat (3/8")
27	526-0219	50	Washer, Flat (1/2")	57	503-1863-01	1	Hose, Radiator (1-1/2" x 12-1/2")
28	403-2733-01	4	Washer, Bevel (1/2")	58	130-5191-02	2	Shroud, Fan – Side
29	862-0016	38	Nut, Hex (1/2-13)	59	130-3777	1	Angle, Stiffener
30	130-3780	2	Angle, Engine	60	870-0281	5	Nut, Hex – Locking (3/8-16)

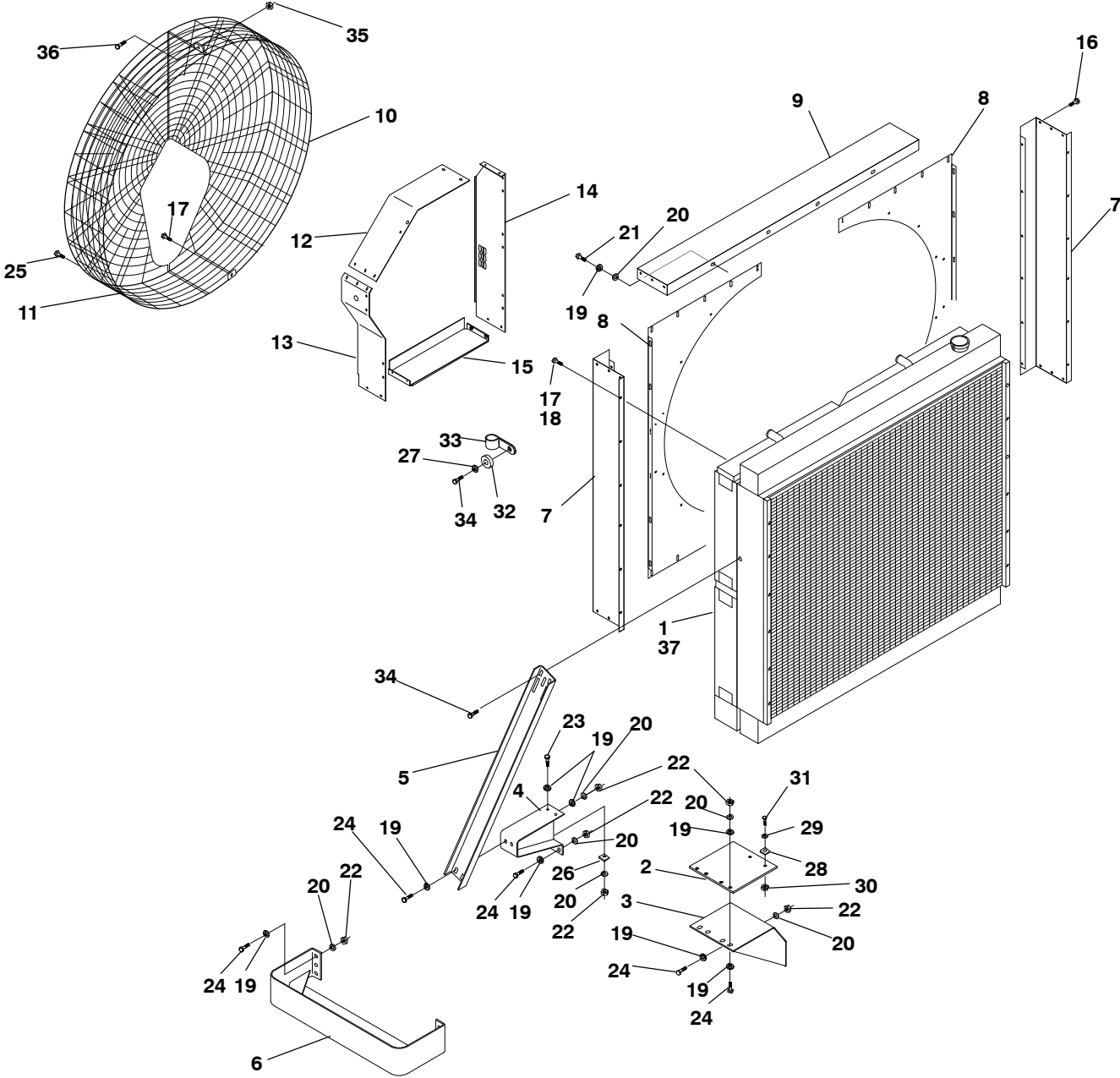
Radiator DFLE Spec D



Radiator DFLE Spec D

REF NO.	PART NO.	QTY USED	PART DESCRIPTION	REF NO.	PART NO.	QTY USED	PART DESCRIPTION
1	130-4915	1	Radiator	34	870-0550-09	41	Nut, Hex - Flange (3/8-16)
2	130-4868	2	Spacer, Radiator	35	130-4297-02	1	Guard, Fan (Right Side)
3	130-4862	2	Bracket, Radiator Support	36	130-4297-01	1	Guard, Fan (Left Side)
4	130-4860	2	Support, Radiator	37	130-4853	1	Tube, Radiator (1.50 Dia.)
5	130-4191	2	Support, Radiator	38	130-4219	1	Angle, Stiffener
6	501-0744-02	1	Hose, Coolant	39	800-0090	8	Screw, Cap - Hex Head (1/2-13 x 1.00)
7	130-4188	2	Shroud, Fan	40	870-0550-05	8	Nut, Hex - Flange (1/4-20)
8	130-5907-02	2	Shroud, Fan	41	821-5003-01	80	Screw, Hex Head (5/16-18 x .50)
9	503-1872-09	4	Clamp, Hose	42	130-4292	2	Grille
10	130-4859	1	Tube, Radiator Outlet (5.00 Dia.)	43	130-3826	2	Support, Grille (Side)
11	130-4850	1	Tube, Radiator Inlet (Right Side) (3.00 Dia.)	44	130-4849	1	Tube, Radiator Inlet (Left Side) (3.00 Dia.)
12	503-1728	4	Hose, Radiator (3.00 Dia.)	45	130-4291	2	Support, Grille (Bottom)
13	503-1872-02	4	Clamp, Hose	46	130-4290	2	Support, Grille (Top)
14	503-1872-05	8	Clamp, Hose	47	332-3008	3	Tie, Cable
15	800-0051	6	Screw, Cap - Hex Head (3/8-16 x 1.25)	48	130-4294	1	Guard, Belt (Bottom)
16	821-5004-03	6	Screw, Hex Head (3/8-16 x 1.00)	49	130-4296	1	Guard, Belt (Top)
17	850-0050	4	Washer, Lock (3/8")	50	130-4295	1	Guard, Belt (Right Side)
18	821-5002-03	21	Screw, Hex Head (1/4-20 x .50)	51	130-4293	1	Guard, Belt (Left Side)
19	403-2733-02	4	Washer, Bevel (3/8")	52	518-0633	2	Clip, J
20	130-4301	2	Bumper	53	130-3660	2	Spacer
21	503-1863	2	Hose, Radiator (4.00 Dia.)	54	821-0035	1	Screw - Self-Locking - Hex Washer Head (3/8-16 x 1.25)
22	800-0092	32	Screw, Cap - Hex Head (1/2-13 x 1.50)	55	526-0029	2	Washer, Flat (3/8")
23	800-0094	12	Screw, Cap - Hex Head (1/2-13 x 2.00)	56	130-5906-02	2	Shroud, Fan (Side)
24	850-0060	46	Washer, Lock (1/2")	57	130-4858	1	Angle, Stiffener
25	526-0219	50	Washer, Flat (1/2")	58	130-4852	1	Tube (Right Side)
26	403-2733-01	4	Washer, Bevel (1/2")	59	130-4851	1	Tube (Left Side)
27	862-0016	38	Nut, Hex (1/2-13)	60	503-1379-01	4	Hose, Radiator
28	130-5013	1	Angle, Engine	61	503-1872-04	8	Clamp, Hose
29	309-0635-02	1	Valve, Check	62	130-2981	1	Cap, Radiator - 7 PSI
30	503-1726	2	Hose, Radiator (5.00 Dia.)	63	821-0030	3	Screw, Hex - Whizlock (3/8-16 x 1)
31	505-0017	1	Bushing, Reducer (3/8 x 1/4)	64	870-0281	5	Nut, Hex - Whizlock (3/8-16)
32	815-0384	12	Screw, Hex Washer Head - Thread Forming	65	505-0017	1	Bushing, Reducer (3/8 x 1/4)
33	821-5004-02	24	Screw, Hex Head (3/8-16 x .75)	66	800-6282	1	Screw, Cap - Hex Head (3/8-16 x 7.00)

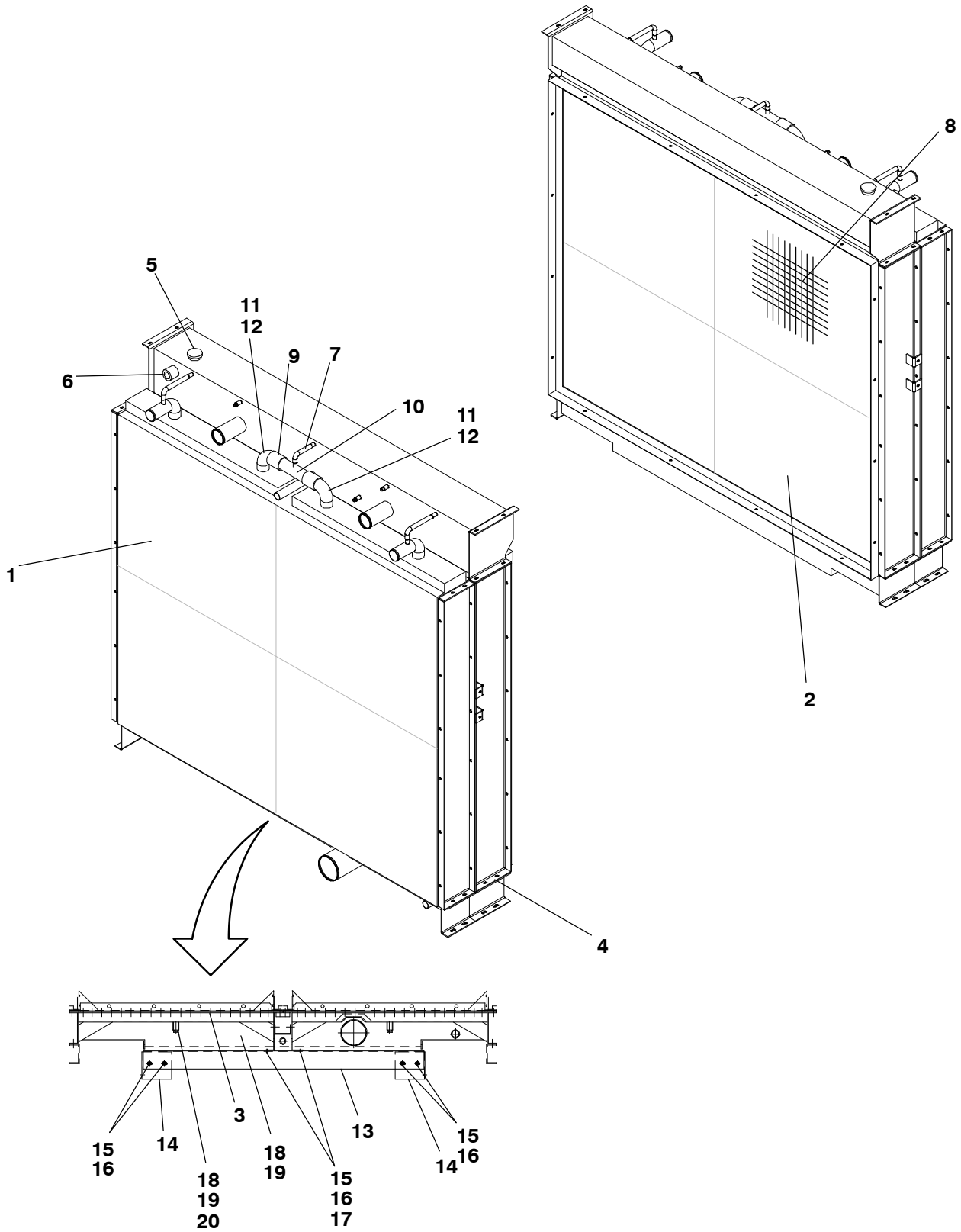
**Cooling System – 40°C Ambient
DFLE Begin Spec E**



**Cooling System – 40°C Ambient
DFLE Begin Spec E**

REF NO.	PART NO.	QTY USED	PART DESCRIPTION	REF NO.	PART NO.	QTY USED	PART DESCRIPTION
1			Radiator (See Page 55 for Service Parts)	21	800-0090	8	Screw, Cap – Hex Head (1/2-13 x 1.00)
	130-5891	1	With Stoneguard	22	862-0016	44	Nut, Hex (1/2-13)
	130-5891-21	1	No Stoneguard	23	800-0094	8	Screw, Cap – Hex Head (1/2-13 x 2.00)
2	130-4868	2	Spacer, Radiator	24	800-0092	36	Screw, Cap – Hex Head (1/2-13 x 1.50)
3	130-4862	2	Bracket, Radiator Support	25	821-5002-03	21	Screw, Hex Head (1/4-20 x .50)
4	130-4191	2	Support, Radiator	26	403-2733-01	4	Washer, Bevel (1/2")
5	130-4860	2	Support, Radiator	27	526-0029	6	Washer, Flat (3/8")
6	130-4301	2	Bumper	28	403-2733-02	4	Washer, Bevel (3/8")
7	130-5917-02	2	Shroud, Fan (Side)	29	850-0050	4	Washer, Lock (3/8")
8	130-4188	2	Shroud, Fan	30	862-0003	4	Nut, Hex – Heavy (3/8-16)
9	130-5918-02	2	Shroud, Fan	31	800-0051	4	Screw, Cap – Hex Head (3/8-16 x 1.25)
10	130-4297-01	1	Guard, Fan (Right Side)	32	130-3660	2	Spacer
11	130-4297-02	1	Guard, Fan (Left Side)	33	518-0633	2	Clip, J
12	130-4296	1	Guard, Belt (Top)	34	821-5004-03	6	Screw, Hex Head (3/8-16 x 1.00)
13	130-4293	1	Guard, Belt (Left Side)	35	870-0281	5	Nut, Hex – Whizlock (3/8-16)
14	130-4295	1	Guard, Belt (Right Side)	36	821-0030	3	Screw, Hex – Whizlock (3/8-16 x 1)
15	130-4294	1	Guard, Belt (Bottom)	37		1	Fan Drive Assembly (See Page 66 for Components)
16	821-5003-01	48	Screw, Hex Head (5/16-18 x .50)				
17	821-5004-02	24	Screw, Hex Head (3/8-16 x .75)				
18	870-0550-09	12	Nut, Hex – Flange (3/8-16)				
19	526-0219	64	Washer, Flat (1/2")				
20	850-0060	52	Washer, Lock (1/2")				

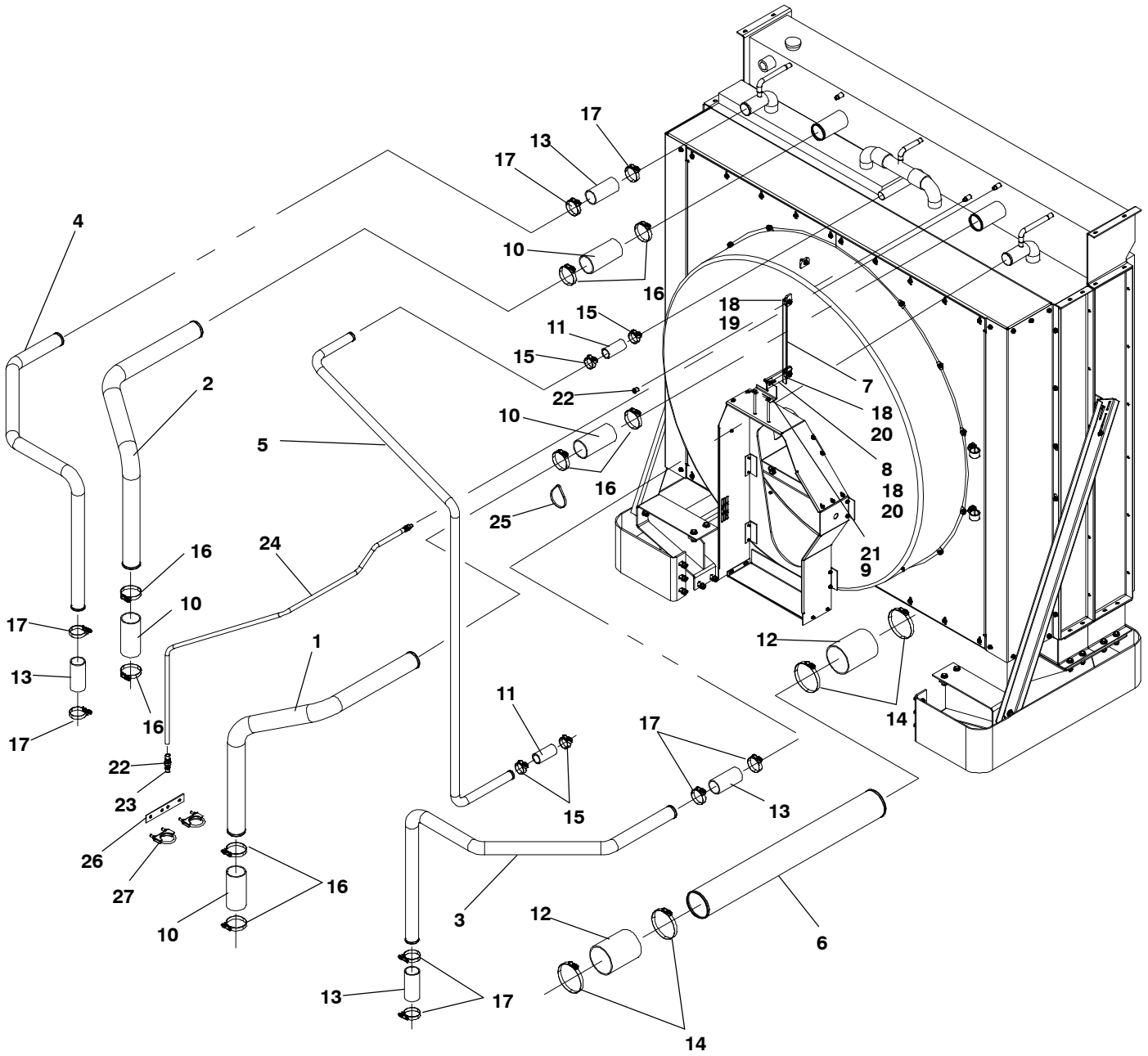
**Radiator Service Parts – 40°C Ambient
DFLE Begin Spec E**



**Radiator Service Parts – 40°C Ambient
DFLE Begin Spec E**

REF NO.	PART NO.	QTY USED	PART DESCRIPTION	REF NO.	PART NO.	QTY USED	PART DESCRIPTION
1	130-7356	4	Core, Radiator (LTA)	11	503-2758	2	Hose, Radiator
2	130-7357	4	Core, Radiator (J/W)	12	503-2760	4	Clamp, Hose
3	130-7405	8	Gasket, Radiator (LTA)	13	319-6731	1	Channel, Support
4	130-7406	8	Gasket, Radiator (J/W)	14	130-7411	2	Bracket, Radiator
5	130-7407	1	Cap, Coolant Fill (16 PSI)	15	800-6400	12	Screw, Hex Head (M12 x 30)
6	130-7408	1	Gauge, Sight	16	526-2342	16	Washer, Flat (M12)
7	130-7409	3	Tube, Radiator Vent	17	870-2287	4	Nut, Lock – Nyloc (M12)
8	130-7410	2	Guard, Radiator	18	504-0308	3	Valve, Ball (1/2")
9	505-2374	1	Cross, Pipe – Assembly	19	505-2376	3	Nipple, Pipe (1/2")
10	505-2375	1	Cross, Pipe	20	505-2377	2	Elbow, Pipe (1/2" M/F)

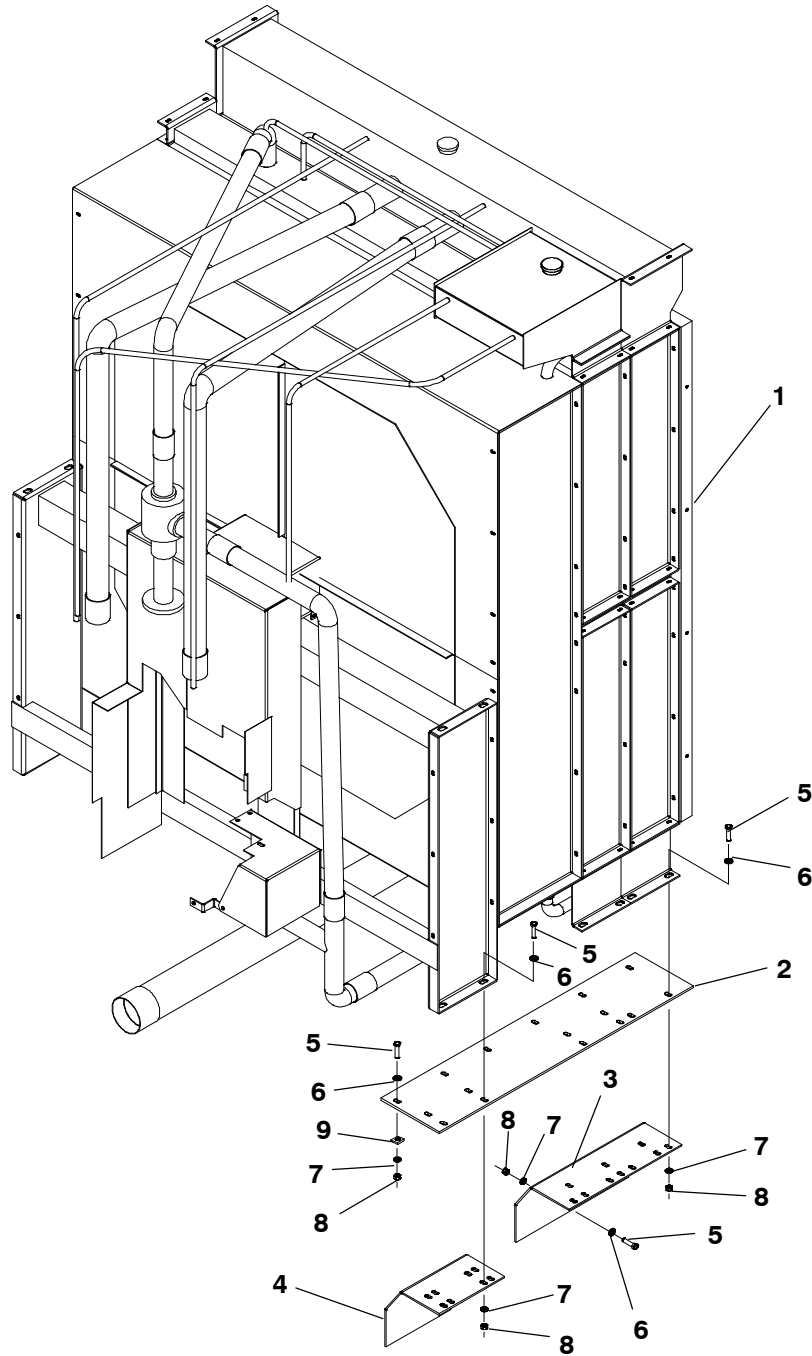
**Radiator - 40°C Ambient
DFLE Begin Spec E
Tubes and Hoses**



**Radiator – 40°C Ambient
DFLE Begin Spec E
Tubes and Hoses**

REF NO.	PART NO.	QTY USED	PART DESCRIPTION	REF NO.	PART NO.	QTY USED	PART DESCRIPTION
1	130-5908-02	1	Tube (Left Side)	16	503-1872-05	8	Clamp, Hose
2	130-5909-02	1	Tube (Right Side)	17	503-1872-04	8	Clamp, Hose
3	130-5910-02	1	Tube, Radiator Inlet (Left Side)	18	870-0281	5	Nut, Hex – Whizlock (3/8-16)
4	130-5911-02	1	Tube, Radiator Inlet	19	821-0030	3	Screw, Hex – Whizlock (3/8-16 x 1)
5	130-5912-02	1	Tube, Radiator (1.50 Dia.)	20	821-0035	2	Screw – Self-Locking – Hex Washer Head (3/8-16 x 1.25)
6	130-4859	1	Tube, Radiator Outlet (5.00 Dia.)	21	800-6282	2	Screw, Cap – Hex Head (3/8-16 x 7.00)
7	130-4219	1	Angle, Stiffener	22	505-0017	2	Bushing, Reducer (3/8 x 1/4)
8	130-4858	1	Angle, Stiffener	23	309-0635-02	1	Valve, Check
9	130-5013	1	Angle, Stiffener	24	501-0744-02	1	Hose, Coolant
10	503-1728	4	Hose, Radiator (3.00 Dia.)	25	332-3008	1	Tie, Cable
11	503-1863	2	Hose, Radiator (4.00 Dia.)	26	130-5980-02	1	Plate, Support Tube
12	503-1726	2	Hose, Radiator (5.00 Dia.)	27	155-4137	2	Clamp, Exhaust
13	503-1379-01	4	Hose, Radiator				
14	503-1872-09	4	Clamp, Hose				
15	503-1872-02	4	Clamp, Hose				

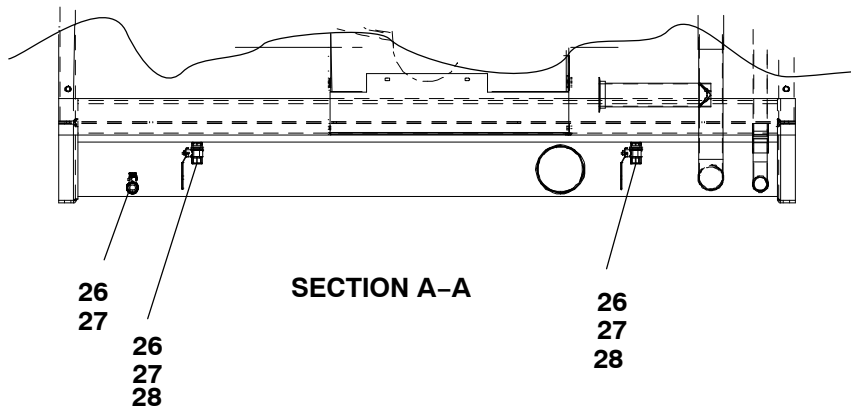
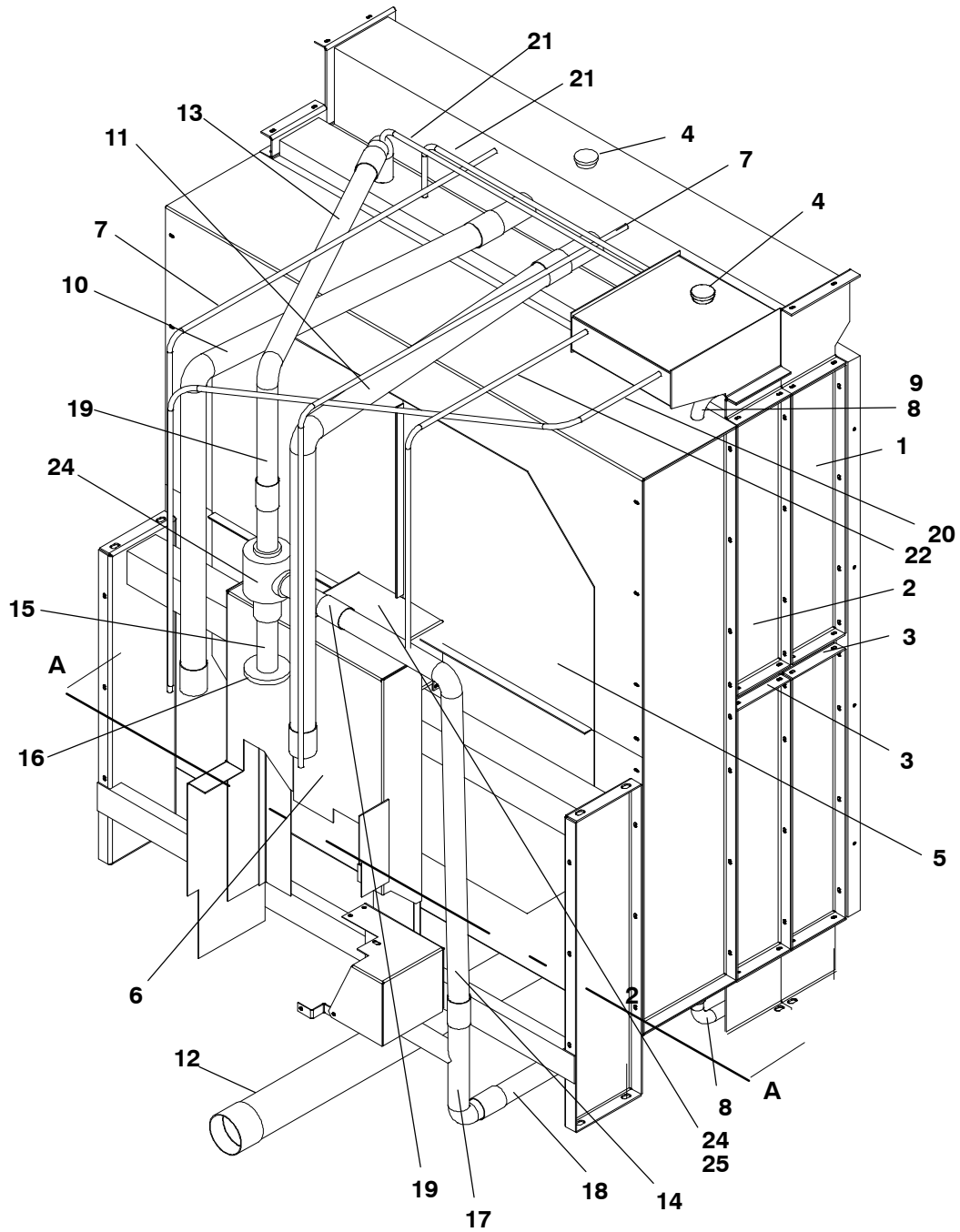
**Radiator - 50°C Ambient
DFLE Begin Spec E**



REF NO.	PART NO.	QTY USED	PART DESCRIPTION	REF NO.	PART NO.	QTY USED	PART DESCRIPTION
1			Radiator (See Page 61 and 62 for Service Parts)	5	800-0094	56	Screw, Cap - Hex Head (1/2-13 x 2.00)
	130-5791	1	With Stoneguard	6	526-0219	72	Washer, Flat (1/2)
	130-5791-43	1	No Stoneguard	7	850-0060	56	Washer, Lock (1/2)
2	130-5905-02	2	Plate, Support	8	862-0016	56	Nut, Hex (1/2-13)
3	130-5901-02	2	Bracket, Radiator - Support	9	403-2733-01	12	Washer, Bevel (1/2)
4	130-5903-02	2	Bracket, Radiator - Support				

“Intentionally Left Blank”

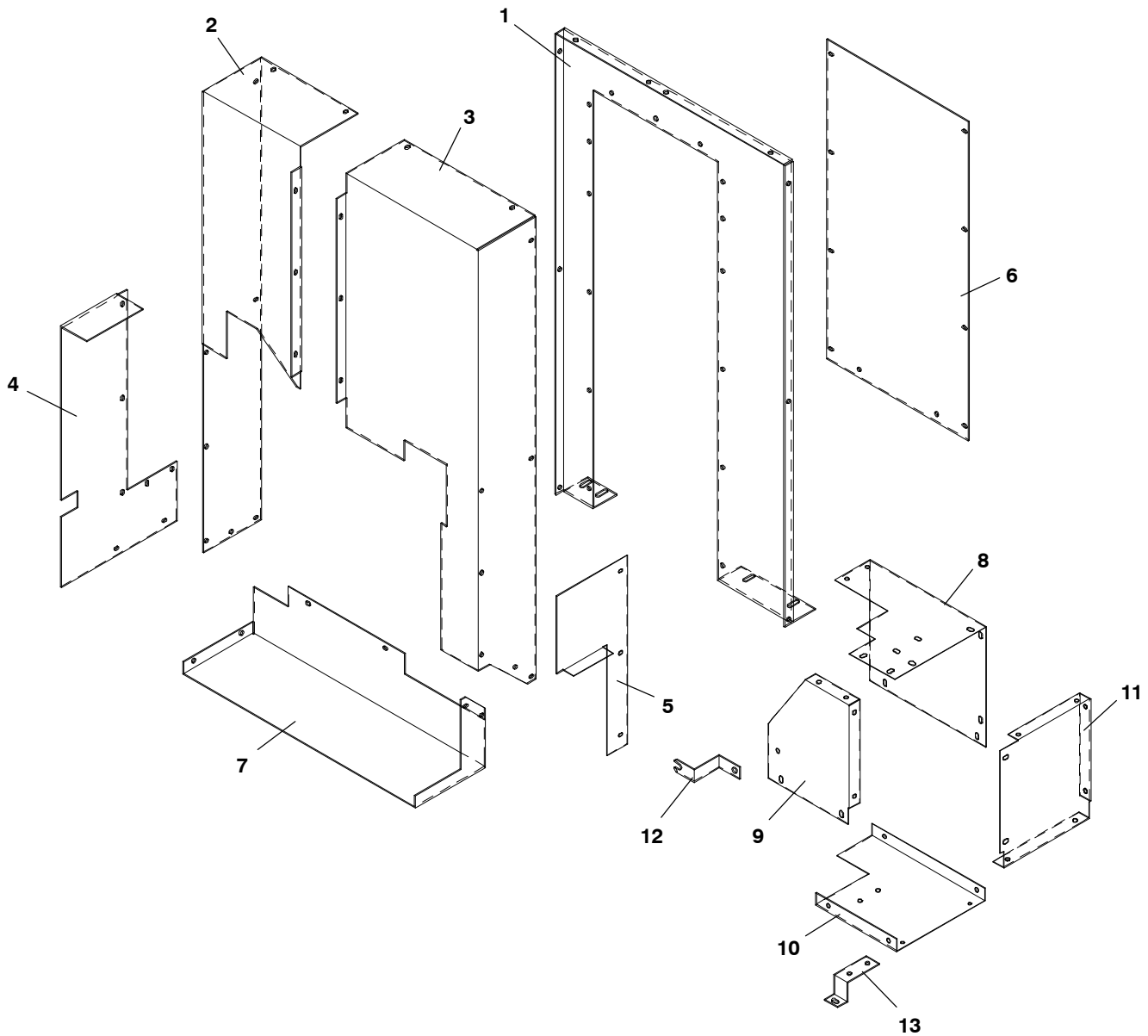
**Radiator Service Parts – 50°C Ambient
DFLE Begin Spec E**



**Radiator Service Parts – 50°C Ambient
DFLE Begin Spec E**

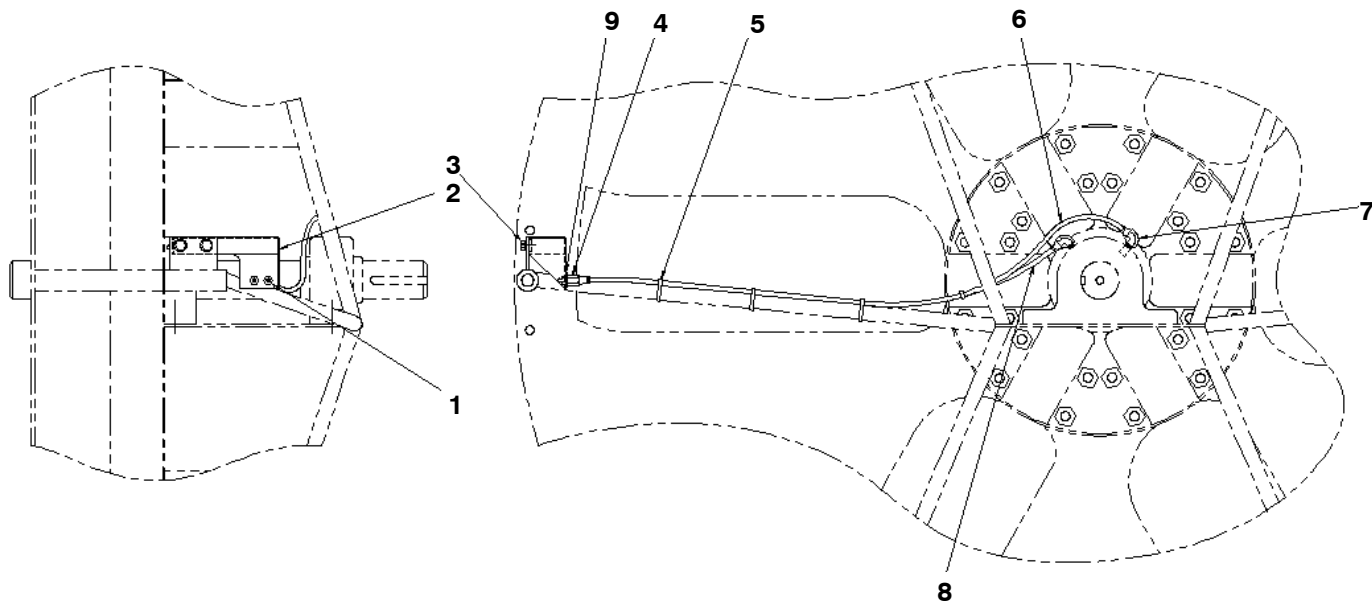
REF NO.	PART NO.	QTY USED	PART DESCRIPTION	REF NO.	PART NO.	QTY USED	PART DESCRIPTION
1	130-7464	4	Core, Radiator (J/W)	16	130-7478	1	Gasket, Radiator
2	130-7465	4	Core, Radiator (I/C)	17	130-7479	1	* Hose, Radiator (2-1/2" Tee)
3	130-7466	8	Gasket, Radiator (J/W, I/C)	18	130-7480	1	* Hose, Radiator (2-1/2" I/C Bottom)
4	130-7407	2	Cap, Coolant Fill (16 PSI)	19	130-7481	2	Hose, Radiator (2-1/2" Stub)
5	130-7468	1	Fan, Radiator (60" DIA)	20	130-7482	1	Hose, Radiator Vent (1/4")
6	511-0238	1	Belt, Drive (PK Belt)	21	130-7483	2	Hose, Radiator Vent (1/4")
7	503-2907	2	Hose, Vent (1/4" Vent)	22	130-7484	1	Hose, Radiator Vent (1/4")
8	130-7470	2	* Hose, Radiator (1-1/2")	23	130-7485	1	Thermostat (Housing)
9	130-7471	1	* Hose Assy, Radiator (1-1/2")	24	510-0245	1	Bearing, Pillow Block
10	130-7472	1	* Hose, Radiator (J/W Top - RHS)	25	510-0246	1	Bearing, Pillow Block
11	130-7473	1	* Hose, Radiator (J/W Top - LHS)	26	504-0308	3	Valve, Ball (1/2")
12	130-7474	1	* Hose Assy, Radiator (5" J/W Bottom)	27	505-2376	3	Valve, Ball (1/2")
13	130-7475	1	* Hose, Radiator (2-1/2" I/C Top)	28	505-2377	2	Elbow, Pipe (1/2" M/F)
14	130-7476	1	* Hose, Radiator (2-1/2" I/C Bypass)	* Before ordering a Hose or Hose Assy, it is recommended to measure the length of the hose and use a caliper to measure the outside diameter of the pipe to obtain the proper inside diameter so the correct Hose or Hose Assy is sourced or ordered.			
15	130-7477	1	Tube, Radiator (2-1/2" I/C Flanged)				

**1.Radiator Guard Service Parts – 50°C Ambient
DFLE Begin Spec E**



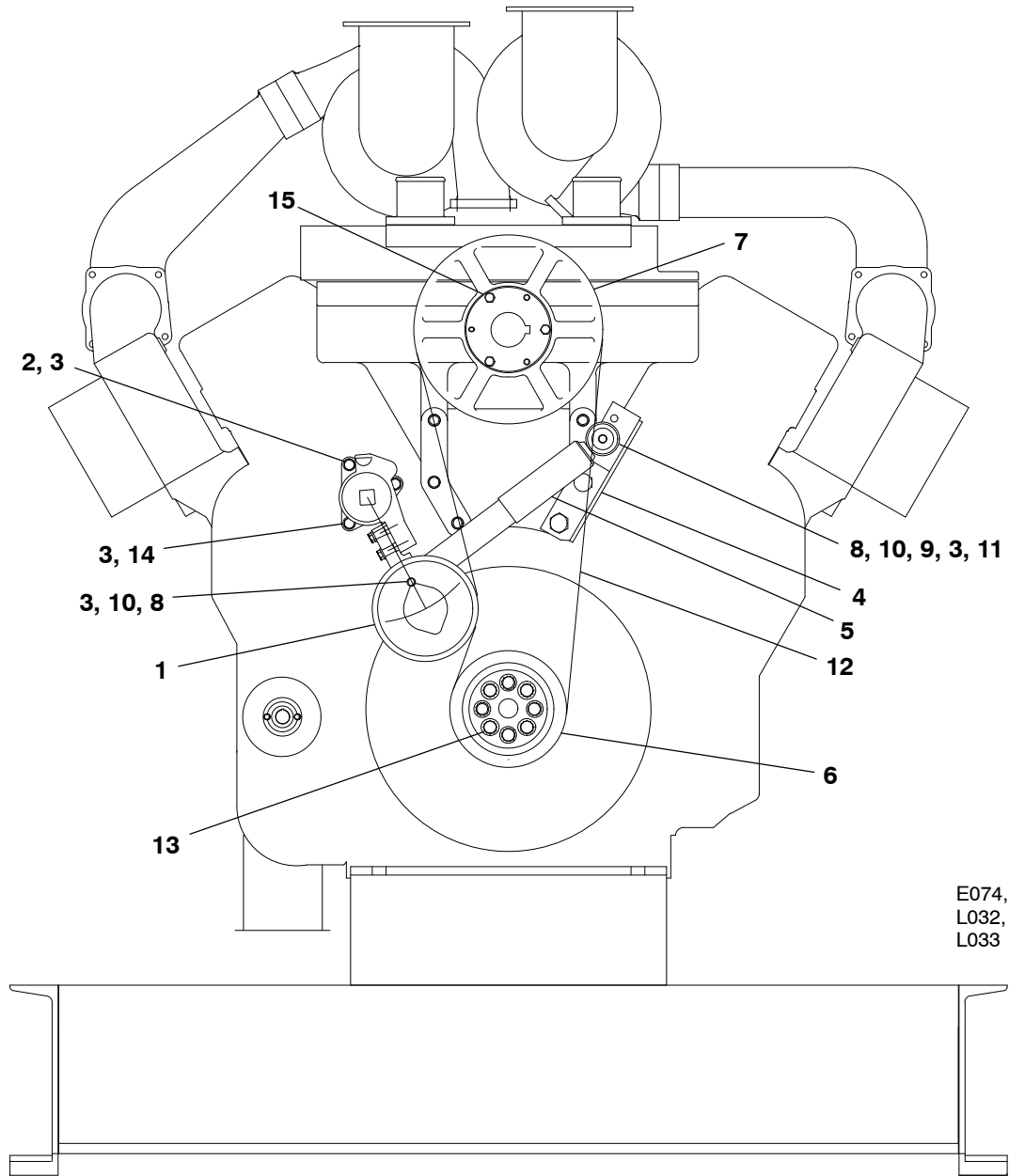
REF NO.	PART NO.	QTY USED	PART DESCRIPTION	REF NO.	PART NO.	QTY USED	PART DESCRIPTION
1	130-7499	1	Panel, Radiator Housing – Back	7	130-7505	1	Panel, Radiator Housing – Bottom
2	130-7500	1	Panel, Radiator Housing – L/H	8	191-2452	1	Guard, Alternator (Top)
3	130-7501	1	Panel, Radiator Housing – R/H	9	191-2453	1	Guard, Alternator (Front)
4	130-7502	1	Panel, Radiator Housing – Bottom L/H	10	191-2454	1	Guard, Alternator (Bottom)
5	130-7503	1	Panel, Radiator Housing – Bottom R/H	11	191-2455	1	Guard, Alternator (Side)
6	130-7504	1	Panel, Radiator Housing – Back	12	130-7506	1	Bracket, Radiator
				13	130-7507	1	Bracket, Radiator

Fan Lube



REF NO.	PART NO.	QTY USED	PART DESCRIPTION	REF NO.	PART NO.	QTY USED	PART DESCRIPTION
1	518-0064	2	Fitting, Grease	5	332-1389	4	Tie, Cable
2	130-3728	1	Bracket, Lube	6	503-1743-01	1	Hose, Grease (37")
3	821-5003-01	1	Screw, Hex Head (5/16-18 x .50)	7	505-1436	2	Connector, Elbow (1/8)
4	505-1435	2	Connector, Female (1/8)	8	503-1743-02	1	Hose, Grease (35")
				9	526-0346	2	Washer, Flat

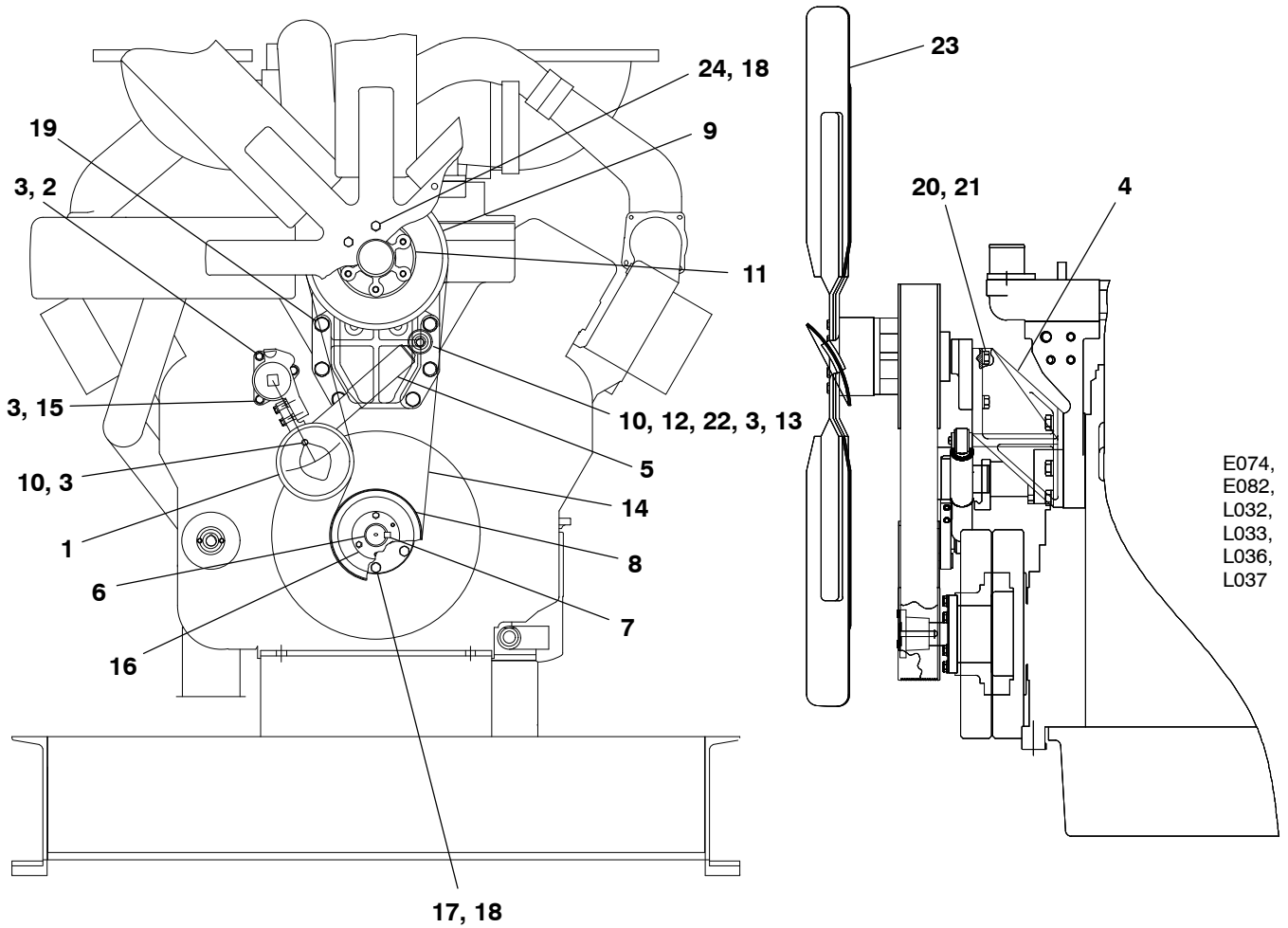
Fan Drive DFLB



E074,
L032,
L033

REF NO.	PART NO.	QTY USED	PART DESCRIPTION	REF NO.	PART NO.	QTY USED	PART DESCRIPTION
1	130-3668	1	Idler Assembly, Fan (Includes Idler Lever Assembly, Idler Pulley and Ring Dowel)	10	526-0141	2	Washer, Flat (7/16")
2	800-0500	2	Screw, Cap - Hex Head (7/16-14 x 5-1/2", Grade 8)	11	862-0034	1	Nut, Hex (7/16")
3	850-0055	5	Washer, Lock - Spring (7/16")	12			Belt, Ribbed
4	130-3657	1	Support, Fan		511-0161-03	1	Generator Sets with Standby Power
5	402-0612	1	Absorber, Shock		511-0161-12	1	Generator Sets with Prime Power
6	130-3812	1	Pulley, Fan Drive (7.4")	13	815-0769-01	8	Screw, Cap - 12 Point (3/4-16 x 4-1/2")
7	130-3654	1	Pulley, Fan Drive (12")	14	800-0507	1	Screw, Cap - Hex Head (7/16-14 x 1-1/2", Grade 8)
8	800-0078	2	Screw, Cap - Hex Head (7/16-14 x 2-3/4")	15	130-3652	1	Bushing (2-3/16" ID)
9	130-3660	1	Spacer				

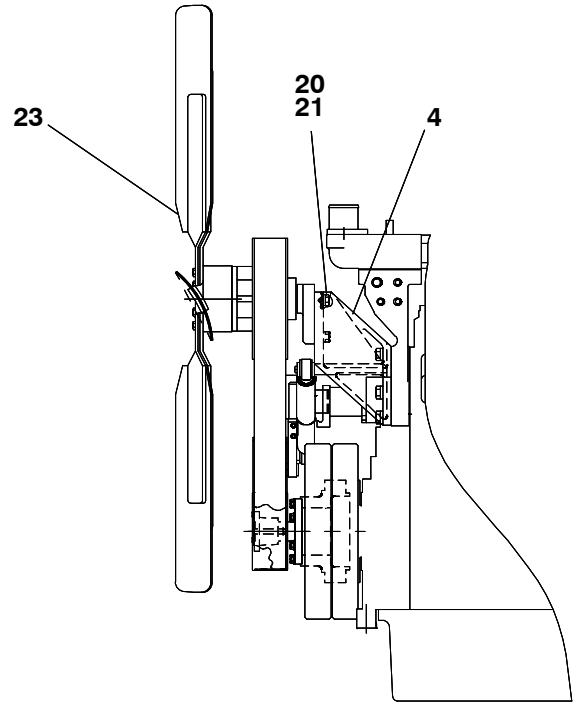
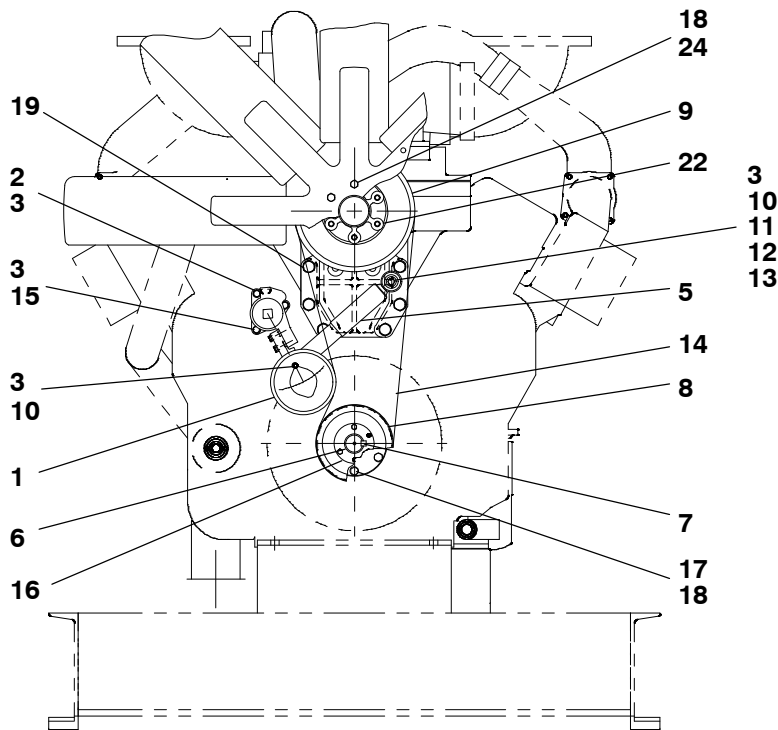
Fan Drive DFLC



E074,
E082,
L032,
L033,
L036,
L037

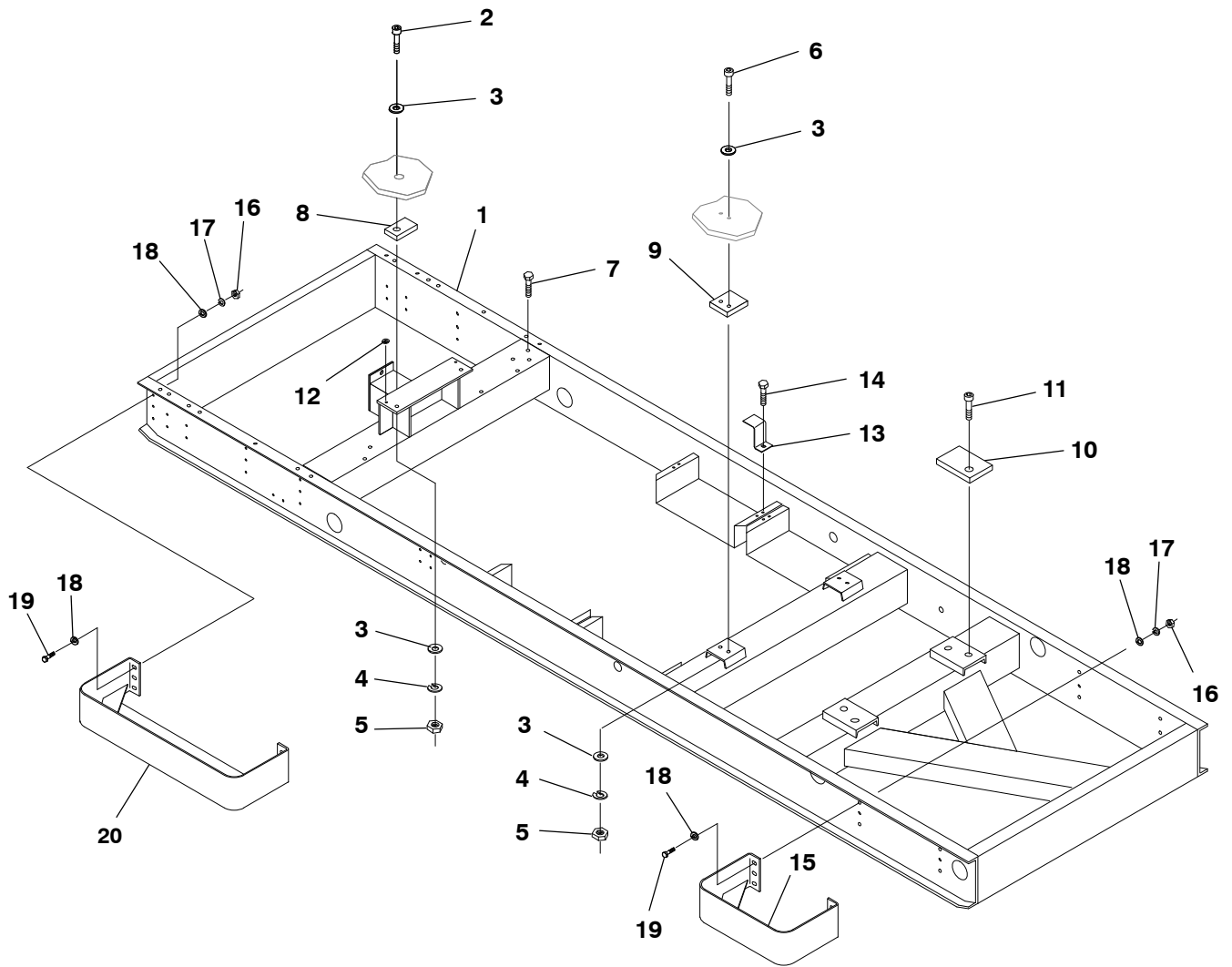
REF NO.	PART NO.	QTY USED	PART DESCRIPTION	REF NO.	PART NO.	QTY USED	PART DESCRIPTION
1	130-3668	1	Idler Assembly, Fan (Includes Idler Lever Assembly, Idler Pulley and Ring Dowel)	12	526-0141	2	Washer, Flat (7/16")
2	800-0500	2	Screw, Cap - Hex Head (7/16-14 x 5-1/2") Grade 8	13	862-0034	1	Nut, Hex (7/16")
3	850-0055	5	Washer, Lock - Spring (7/16")	14	511-0161-10	1	Belt, V - Ribbed
4	130-4289	1	Support, Fan	15	800-0507	1	Screw, Cap - Hex Head (7/16-14 x 1-1/2") Grade 8
5	402-0612	1	Absorber, Shock	16	130-3653	1	Bushing (2" ID)
6	130-3757	1	Shaft, Fan Drive	17	800-0092	6	Screw, Cap - Hex Head (1/2-13 x 1-1/2")
7	515-0220	1	Key (1/2" x 1/2" x 3")	18	526-0219	12	Washer, Flat (1/2")
8	130-4761	1	Pulley, Fan Drive 0.61:1 Drive Ratio (7-5/8" Dia.)	19	800-0163	6	Screw, Cap - Hex Head (3/4-10 x 4")
	130-4762	1	Pulley, Fan Drive 0.69:1 Drive Ratio (8-5/8" Dia.)	20	800-0135	4	Screw, Cap - Hex Head (5/8-11 x 2-1/4")
9	130-4154	1	Pulley, Fan Drive (12-1/2" Dia.)	21	850-0070	4	Washer, Lock - Spring (5/8")
10	800-0078	2	Screw, Cap - Hex Head (7/16-14 x 2-3/4")	22	130-3660	1	Spacer
11	130-4153	1	Spacer, Fan	23	130-5210	1	Fan, Engine
				24	800-0106	6	Screw, Cap - Hex Head (1/2-13 x 5-1/2")

Fan Drive DFLE



REF NO.	PART NO.	QTY USED	PART DESCRIPTION	REF NO.	PART NO.	QTY USED	PART DESCRIPTION
1	130-3668	1	Idler, Fan	14			Belt, V - Ribbed
2	800-0500	2	Screw, Cap - Hex Head (7/16-14 x 5.50) Grade 8	511-0161-13	1		50Hz
3	800-0055	5	Washer, Lock (7/16)	511-0161-10	1		60Hz
4	130-4289	1	Support, Fan	15	800-0507	1	Screw, Cap - Hex Head (7/16-14 x 1.50) Grade 8
5	402-0612	1	Absorber, Shock	16	130-3653	1	Bushing (2.00 ID)
6	130-3757	1	Shaft, Fan Drive	17	800-0092	6	Screw, Cap - Hex Head (1/2-13 x 1.50)
7	515-0220	1	Key (1/2 x 1/2 x 3.00)	18	526-0219	12	Washer, Flat (1/2)
8			Pulley, Fan Drive	19	800-0163	6	Screw, Cap - Hex Head (3/4-10 x 4.00)
	130-4761	1	60Hz (7.63 Dia.)	20	800-0135	4	Screw, Cap - Hex Head (5/8-11 x 2.25)
	130-4287	1	50Hz (9.00 Dia.)	21	850-0070	4	Washer, Lock (5/8)
9	130-4154	1	Pulley, Fan Drive (12.5 Dia.)	22	130-4153	1	Spacer, Fan
10	800-0078	2	Screw, Cap - Hex Head (7/16 x 2.75)	23	130-5210	1	Fan, Engine
11	130-3660	1	Spacer, Shock	24	800-0106	6	Screw, Cap - Hex Head (1/2-13 x 5.50)
12	526-0141	2	Washer, Flat (7/16)				
13	862-0034	1	Nut, Hex (7/16)				

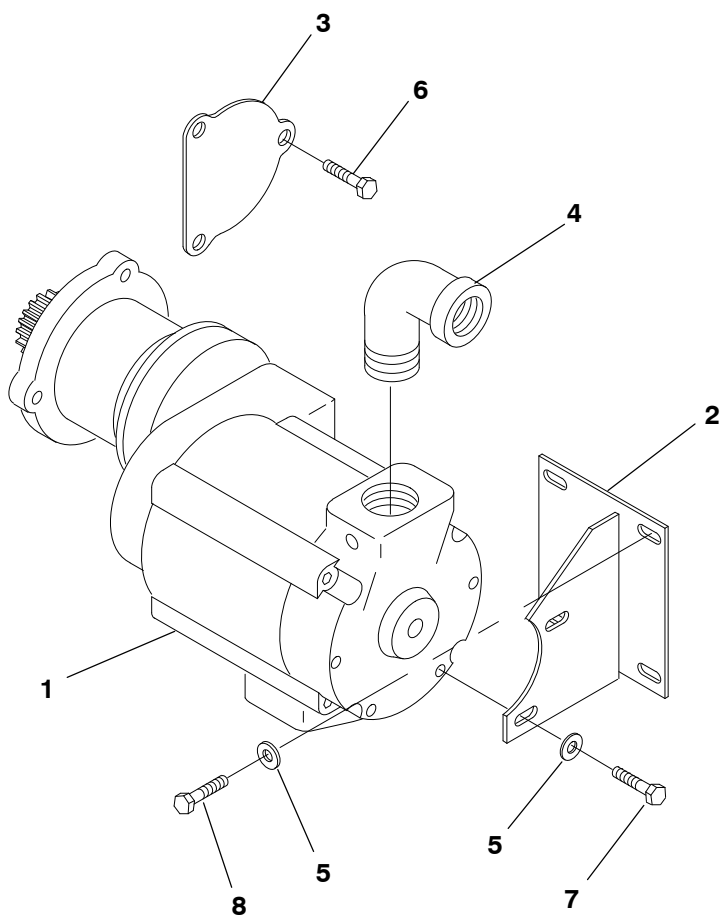
Skid



REF NO.	PART NO.	QTY USED	PART DESCRIPTION	REF NO.	PART NO.	QTY USED	PART DESCRIPTION
1			Skid	14	800-0048	8	Screw, Cap – Hex Head (3/8-16 x 3/4)
	403-4780	1	DFLB, DFLE	15	130-4389	2	Bumper
	403-5046-02	1	DFLE	16			Nut, Hex (1/2-13)
2	800-0163	2	Screw, Cap – Hex Head (3/4-10 x 4)		862-0016	24	DFLB
3	526-0027	12	Washer, Flat (3/4)		862-0016	12	DFLC, DFLE
4	850-0079	14	Washer, Lock (3/4)	17			Washer, Lock (1/2)
5	862-0008	6	Nut, Hex (3/4-10)		850-0060	24	DFLB
6	800-0158	12	Screw, Cap – Hex Head (3/4-10 x 2-3/4)		850-0060	12	DFLC, DFLE
7	821-5004-03	7	Screw, Cap – Hex Head (3/8-16 x 1.00)	18			Washer, Flat (1/2)
8	403-3204	2	* Spacer – Engine (Front)		526-0219	48	DFLB
9	403-3205	2	* Spacer – Engine (Rear)		526-0219	24	DFLC, DFLE
10	403-3206	2	* Spacer – Generator	19			Screw, Cap – Hex Head (1/2-13 x 1-3/4)
11	800-0237	2	* Screw, Cap – Hex Head (1-1/4-7 x 4.00)		800-0093	24	DFLB
12	526-0174	8	* Washer, Flat (3/8)		800-0093	12	DFLC, DFLE
13	416-0850	8	Bracket, Battery	20	130-4301	2	Bumper – DFLB

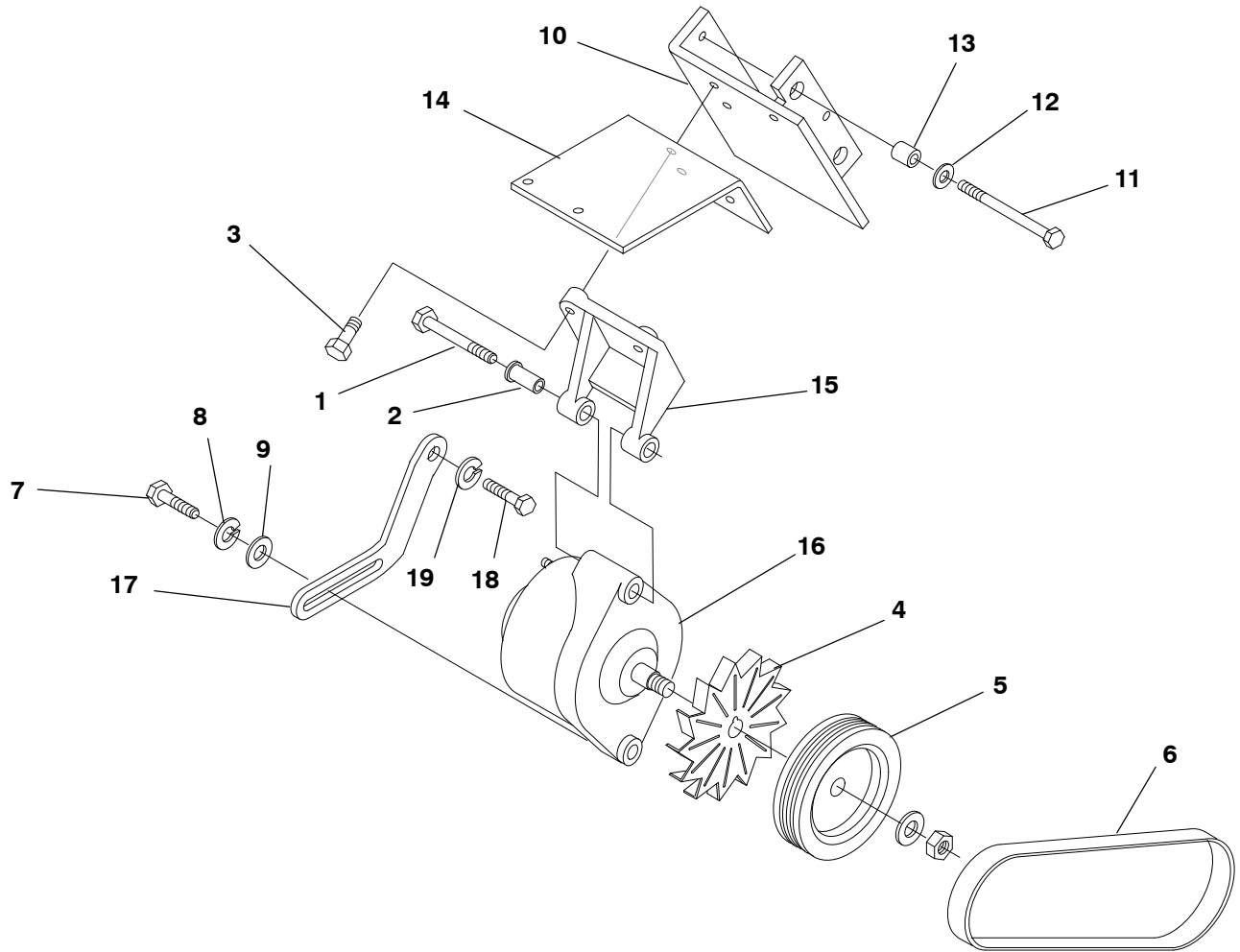
* – Parts Used on Prime Power Remote Radiator Generator Sets

Air Starter



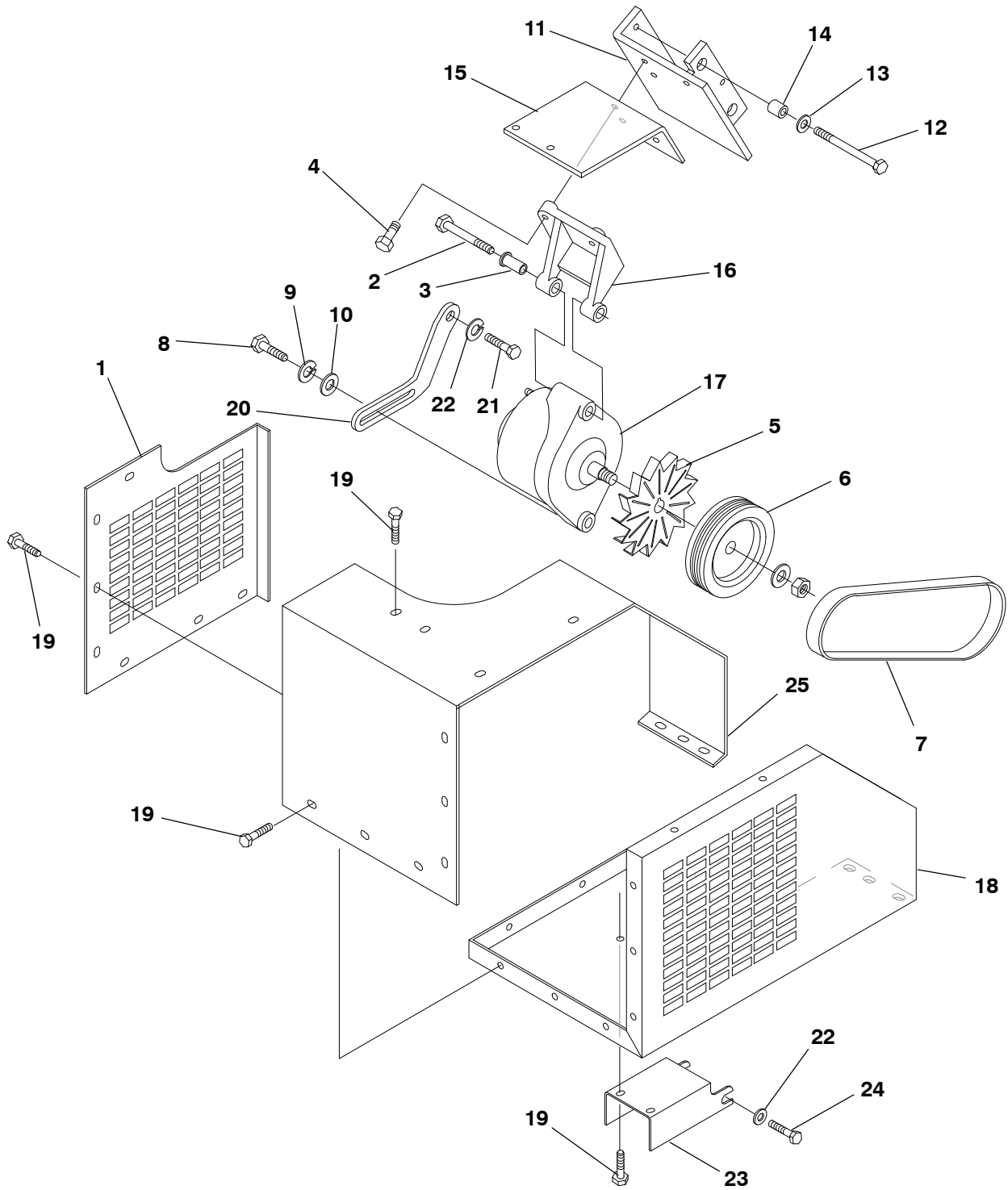
REF NO.	PART NO.	QTY USED	PART DESCRIPTION	REF NO.	PART NO.	QTY USED	PART DESCRIPTION
1	127-0390-01	1	Starter, Air	7	800-2526	2	Screw, Cap – Hex Head (M10 x 20)
2	127-0395	1	Brace, Starter Motor	8	815-0724	4	Screw, Cap – Hex Head (3/8-16 x 1.25)
3	127-0422	1	Cover, Flange – Starter				
4	502-1054-08	1	Elbow, Street Pipe – 90°				
5	526-0030	6	Washer, Flat (13/32)				
6	800-0130	3	Screw, Cap – Hex Head (5/8-11 x 1.00)				

Alternator Two Pump Two Loop DFLE



REF NO.	PART NO.	QTY USED	PART DESCRIPTION	REF NO.	PART NO.	QTY USED	PART DESCRIPTION
1	718-1067	1	Screw, Cap - Hex Head (M10 x 1.5 x 90mm)	10	191-2021-01	1	Bracket, Alternator
2	191-1989-07	1	Spacer, Mounting	11	800-0500	2	Screw, Cap - Hex Head (7/16-14 x 5-1/2")
3	821-0022	3	Screw, Self-Locking - Hex Washer Head (5/16-20 x 1-1/4")	12	526-0098	2	Washer, Flat (7/16")
4	191-2330	1	Fan, Alternator	13	191-2023	2	Sleeve
5	191-1984	1	Pulley, Alternator	14	191-2017	1	Bracket, Alternator
6	511-0119	1	Belt, V	15	191-1990	1	Support, Alternator
7	800-2059	1	Screw, Cap - Hex Head (M8 x 1.25 x 30mm)	16	191-2326-02	1	Alternator - 55 Amp
8	850-2008	1	Washer, Lock - Spring (M8)	17	191-2110	1	Bracket, Adjusting
9	526-0030	1	Washer, Flat (3/8")	18	800-0071	1	Screw, Cap - Hex Head (7/16-14 x 1")
				19	850-0055	1	Washer, Lock - Spring (7/16")

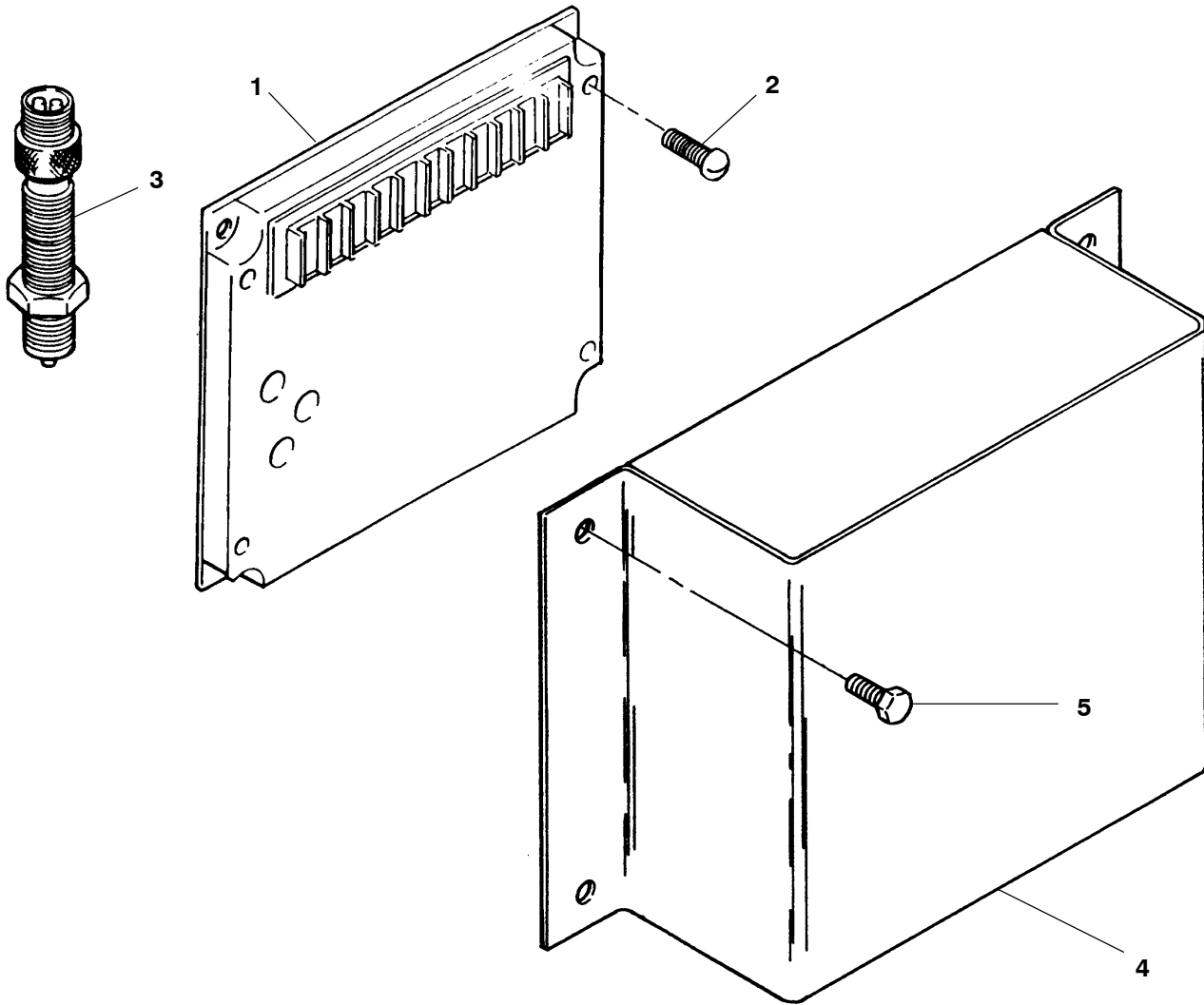
Alternator 55 Amp



Alternator 55 Amp

REF NO.	PART NO.	QTY USED	PART DESCRIPTION	REF NO.	PART NO.	QTY USED	PART DESCRIPTION
1	130-3870	1	Guard, Belt	13	526-0098	2	Washer, Flat (7/16")
2	718-1067	1	Screw, Cap - Hex Head (M10 x 1.5 x 90mm)	14	191-2023	2	Sleeve
3	191-1989-07	1	Spacer, Mounting	15	191-2017	1	Bracket, Alternator
4	821-0022	3	Screw, Self-Locking - Hex Washer Head (5/16-20 x 1-1/4")	16	191-1990	1	Support, Alternator
5	191-2330	1	Fan, Alternator	17	191-2326-02	1	Alternator - 55 Amp
6	191-1984	1	Pulley, Alternator	18	130-3868	1	Guard, Belt
7	511-0119	1	Belt, V	19	821-5002-04	21	Screw, Self-Locking - Hex Washer Head (1/4-20 x 5/8")
8	800-2059	1	Screw, Cap - Hex Head (M8 x 1.25 x 30mm)	20	191-2110	1	Bracket, Adjusting
9	850-2008	1	Washer, Lock - Spring (M8)	21	800-0071	1	Screw, Cap - Hex Head (7/16-14 x 1")
10	526-0030	1	Washer, Flat (3/8")	22	850-0055	2	Washer, Lock - Spring (7/16")
11	191-2021-01	1	Bracket, Alternator	23	130-5254-02	1	Bracket, Belt Guard
12	800-0500	2	Screw, Cap - Hex Head (7/16-14 x 5-1/2")	24	800-0069	1	Screw, Cap - Hex Head (7/16-14 x 3/4")
				25	130-3869	1	Guard, Belt

Electronic Governor

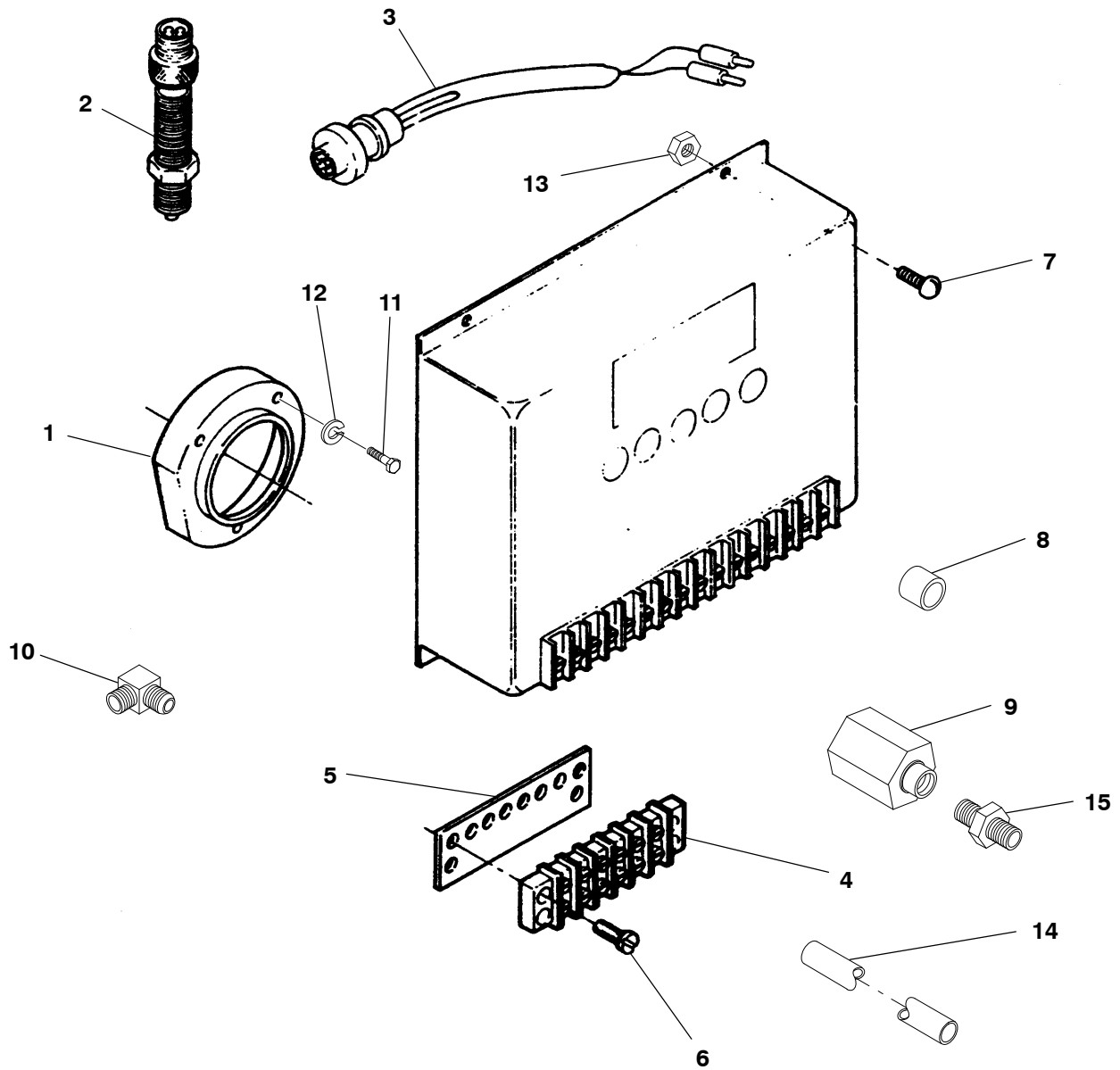


A332

REF NO.	PART NO.	QTY USED	PART DESCRIPTION
1	151-0637-01		Control, Governor
2	821-6001-03		Screw, Machine - Round Head (M5 x .8 x 16)

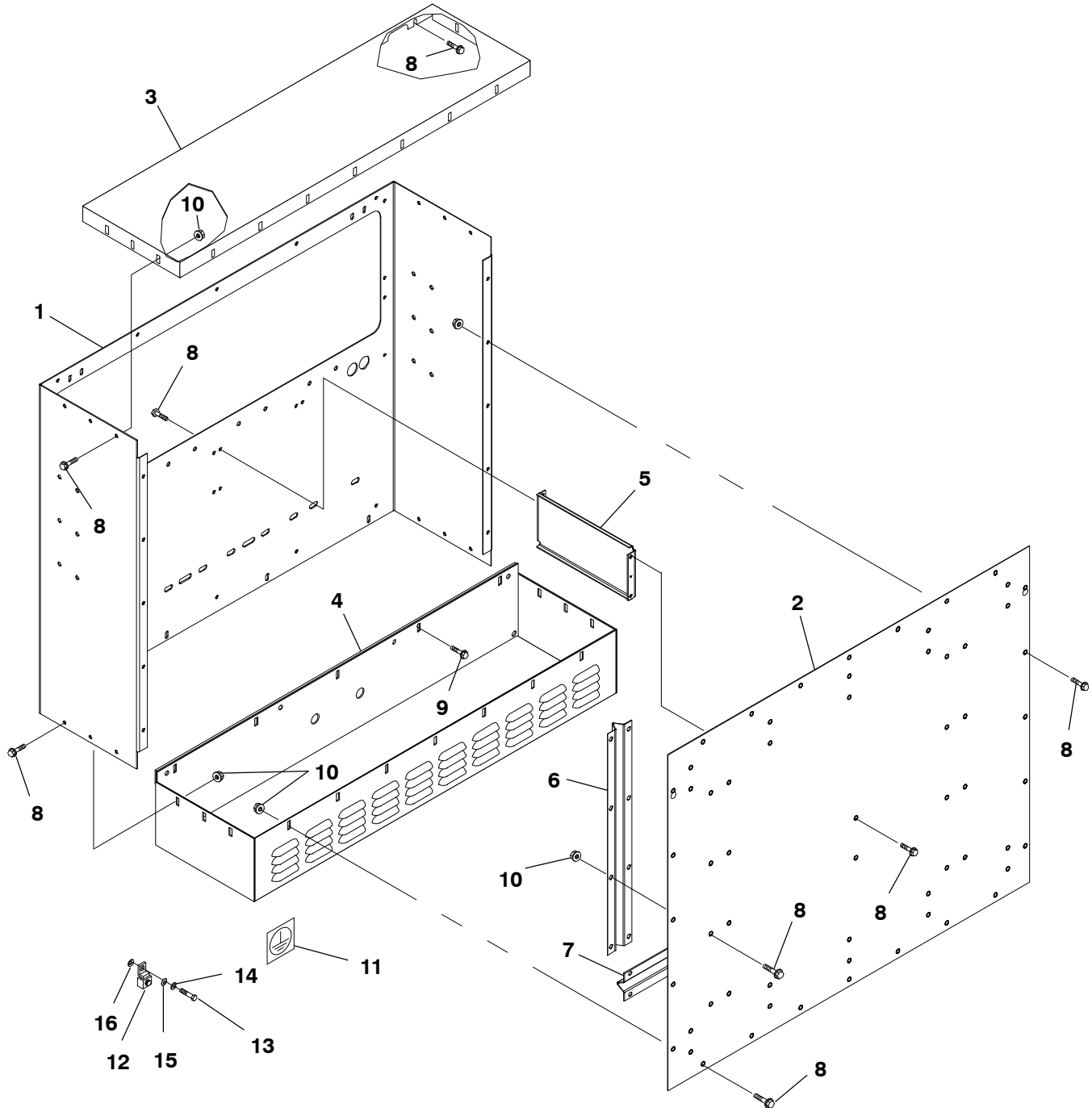
REF NO.	PART NO.	QTY USED	PART DESCRIPTION
3	151-0411	1	Pickup, Magnetic
4	150-2213	1	Cover, Governor Control
5	821-6002-03	4	Screw, Hex Head (M6 x 20)

Woodward Governor



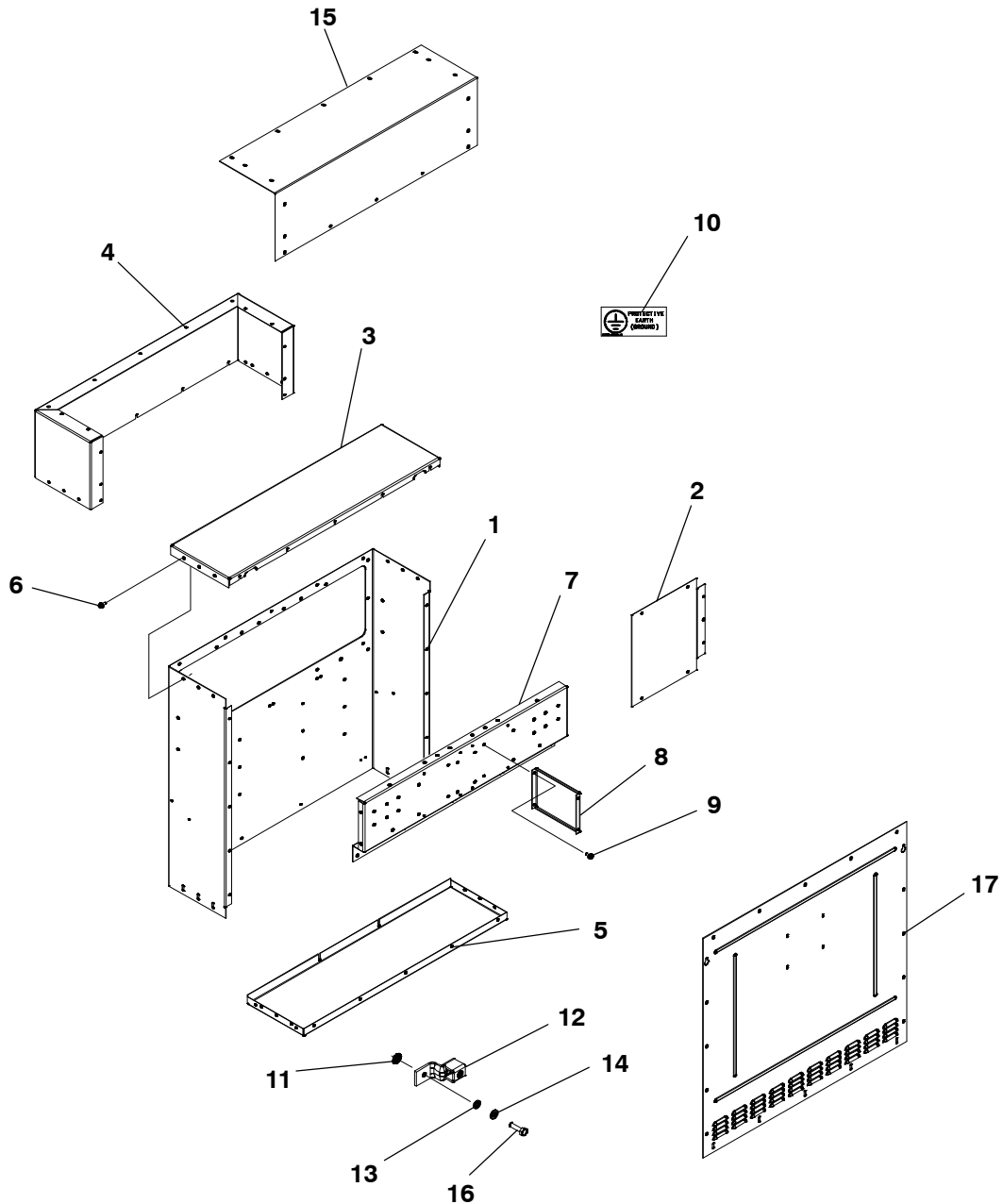
REF NO.	PART NO.	QTY USED	PART DESCRIPTION	REF NO.	PART NO.	QTY USED	PART DESCRIPTION
1	149-2287	1	Plug - Fuel Pump Mod.	8	151-0663-02	1	Spacer (21/64" ID x 1/4")
2	151-0411	1	Pickup, Magnetic	9	502-1307	1	Adapter, Pipe - Female
3	338-2538	1	Harness, Wiring - Adapter - Woodward Governor to Engine Harness (12")	10	502-1308	1	Adapter, Elbow - Male
4	332-0699	2	Block, Terminal (6 Place)	11	800-0072	4	Screw, Hex Head (7/16-14 x 1.25)
5	332-0970	2	Strip, Marker	12	850-0055	4	Washer, Lock - Spring (7/16)
6	822-1050	4	Screw, Machine - Round Head (8-32 x .75)	13	864-0017	1	Nut, Hex - Jam Right Hand
7	813-0103	4	Screw, Machine - Round Head (10-32 x .75)		864-0020-01	1	Left Hand
				14	501-0537-46	1	Hose, Fuel Pump Connector - Male
				15	502-1045-04	1	Connector - Male

Entrance Box DFLB Spec S, DFLC Spec V, DFLE Spec D



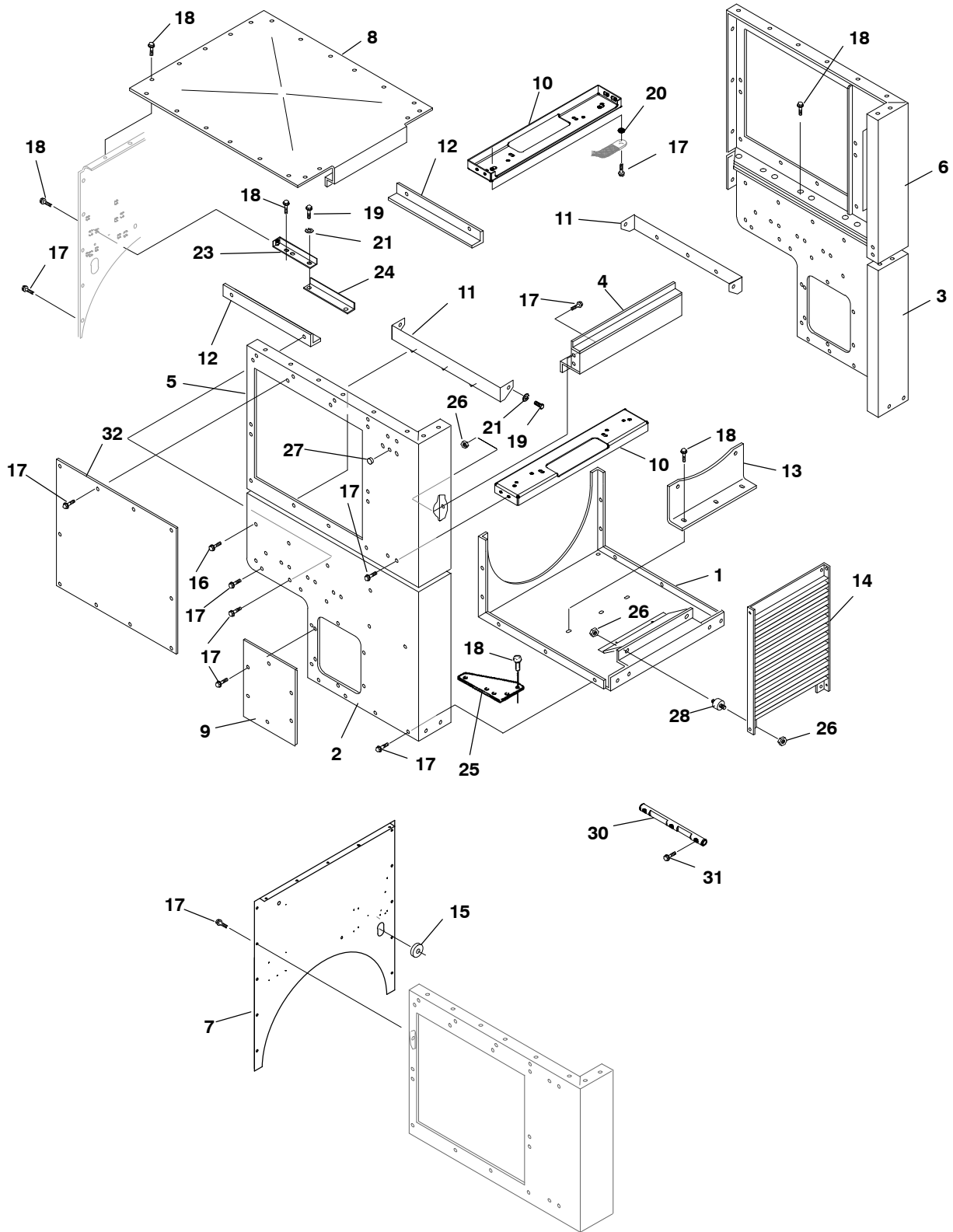
REF NO.	PART NO.	QTY USED	PART DESCRIPTION	REF NO.	PART NO.	QTY USED	PART DESCRIPTION
1	319-3184	1	Box, Entrance	10	870-0504	26	Nut, Retaining (M6)
2	319-3265	1	Cover, Entrance Box	11	098-6650-01	2	Label, Danger – High Voltage
3	319-1961	1	Cover, Entrance Box – Top	12	332-2001	1	Lug, Solderless
4	319-1925	1	Cover, Entrance Box – Bottom	13	800-2088	1	Screw, Cap – Hex Head (M10 x 1.5 x 35)
5	319-3264	1	Brace, Cover	14	850-2010	1	Washer, Lock – Split
6	319-3286	2	Brace, Cover (Vertical)	15	526-2120	1	Washer, Flat (M10)
7	319-3288	2	Brace, Cover (Horizontal)	16	856-0010	1	Washer – W/EIT
8	821-6002-03	89	Screw, Hex Head (M6 x 16mm)				
9	821-2035	5	Screw, Self-Locking – Hex Washer Head (M6 x 25mm)				

Entrance Box DFLB Begin Spec T, DFLE Begin Spec W, DFLE Begin Spec E



REF NO.	PART NO.	QTY USED	PART DESCRIPTION	REF NO.	PART NO.	QTY USED	PART DESCRIPTION
1	319-5161-02	1	Box, Circuit Breaker	10	098-6635	1	Label, Ground
2	319-5084-02	1	Panel, Terminal	11	853-2008	1	Washer, Lock - W/ET
3	319-5171-02	1	Cover, Circuit Breaker - Bottom Entrance	12	332-2001	1	Lug, Solderless
4	319-5162-02	1	Cover, Circuit Breaker - Top and Bottom Entrance	13	850-0114-54	1	Washer, Lock
5	319-5088-02	1	Cover, Circuit Breaker	14	526-0399-60	1	Washer, Flat
6	821-6003-02	69	Screw, Hex (M8 x 1.25 x 20)	15	319-5217-02	1	Cover, Circuit Breaker - Adapter Plug - Top and Bottom Entrance
7	319-5179-02	1	Bracket, Circuit Breaker	16	800-2063	1	Screw, Cap - Hex Head (M10 x 1.5 x 35)
8	319-5102-04	1	Stiffener, Cover	17	319-5176-06	1	Cover, Circuit Breaker - Front
9	821-6002-03	8	Screw, Hex (M6 x 1 x 16)				

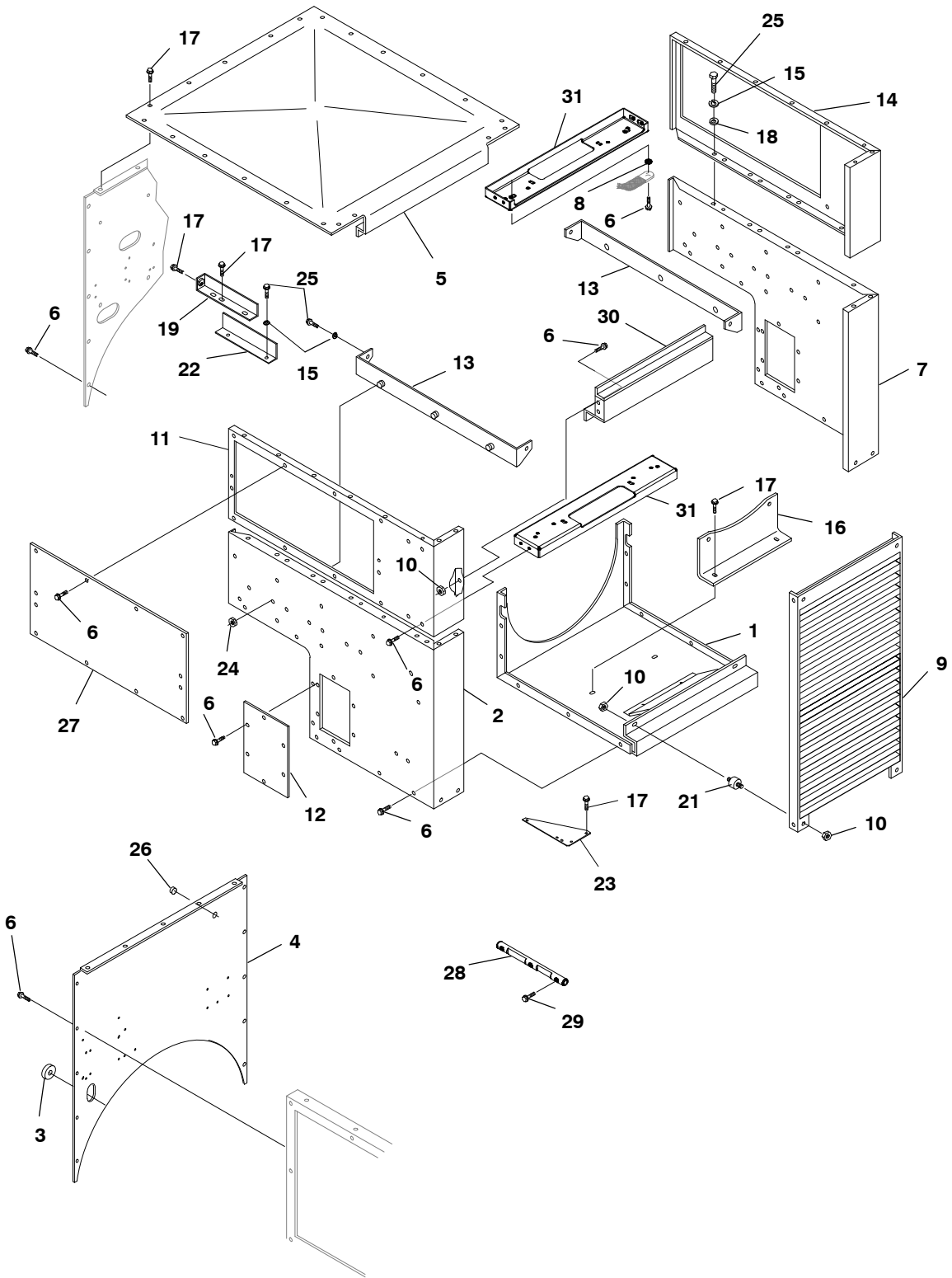
Control Housing Model HC6 Generators



Control Housing Model HC6 Generators

REF NO.	PART NO.	QTY USED	PART DESCRIPTION	REF NO.	PART NO.	QTY USED	PART DESCRIPTION
1	319-3270-03	1	Panel, Bottom	19	800-2086	15	Screw, Cap – Hex Head (M10 x 1.50 x 25)
2	319-3283-01	1	Panel, Weldment – RH	20	856-0006	1	Washer, Lock – W/EIT (1/4)
3	319-3283-02	1	Panel, Weldment – LH	21	850-2010	15	Washer, Lock (M10)
4	405-7245-02	1	Rail, Enclosure – Front	22	526-0141	10	Washer, Flat (3/8)
5	319-3281-01	1	Panel, Weldment – RH	23	319-3263	1	Angle, Support
6	319-3281-02	1	Panel, Weldment – LH	24	319-3269	1	Angle, Support
7	319-3262	1	Panel, Control Housing – Rear	25	319-1203-01	2	Gusset, Control Housing
8	319-1093	1	Panel, Control Housing – Top	26	870-2054	10	Nut, Lock – Flange (M6 x 1.0)
9	319-0881	2	Cover, Lower Housing – Side	27	517-0131	1	Plug, Hole
10	405-7247-02	2	Rail, Enclosure – Support	28	402-0729	4	Isolator, Vibration
11	319-3267	2	Bracket, Saddle	29	517-0135	1	Plug, Hole
12	319-3260	2	Angle, Housing	30	332-3740	1	Clamp, Strain
13	319-1091	1	Bracket, Panel	31	814-2150	3	Screw, Flat Head – Cross Recessed (M3 x 0.5 x 10)
14	319-2767	1	Grille				Cover, Side – Upper Without Circuit Breaker, Entrance Box or BUS Box
15	508-1057	1	Grommet	32	319-1095	2	With Circuit Breaker, Entrance Box or BUS Box
16	821-6004-01	12	Screw, Hex Head (M10 x 1.50 x 20)				
17	821-6002-03	30	Screw, Hex Head (M6 x 1.00 x 16)				
18	821-6003-02	63	Screw, Hex Head (M8 x 1.25 x 20)				

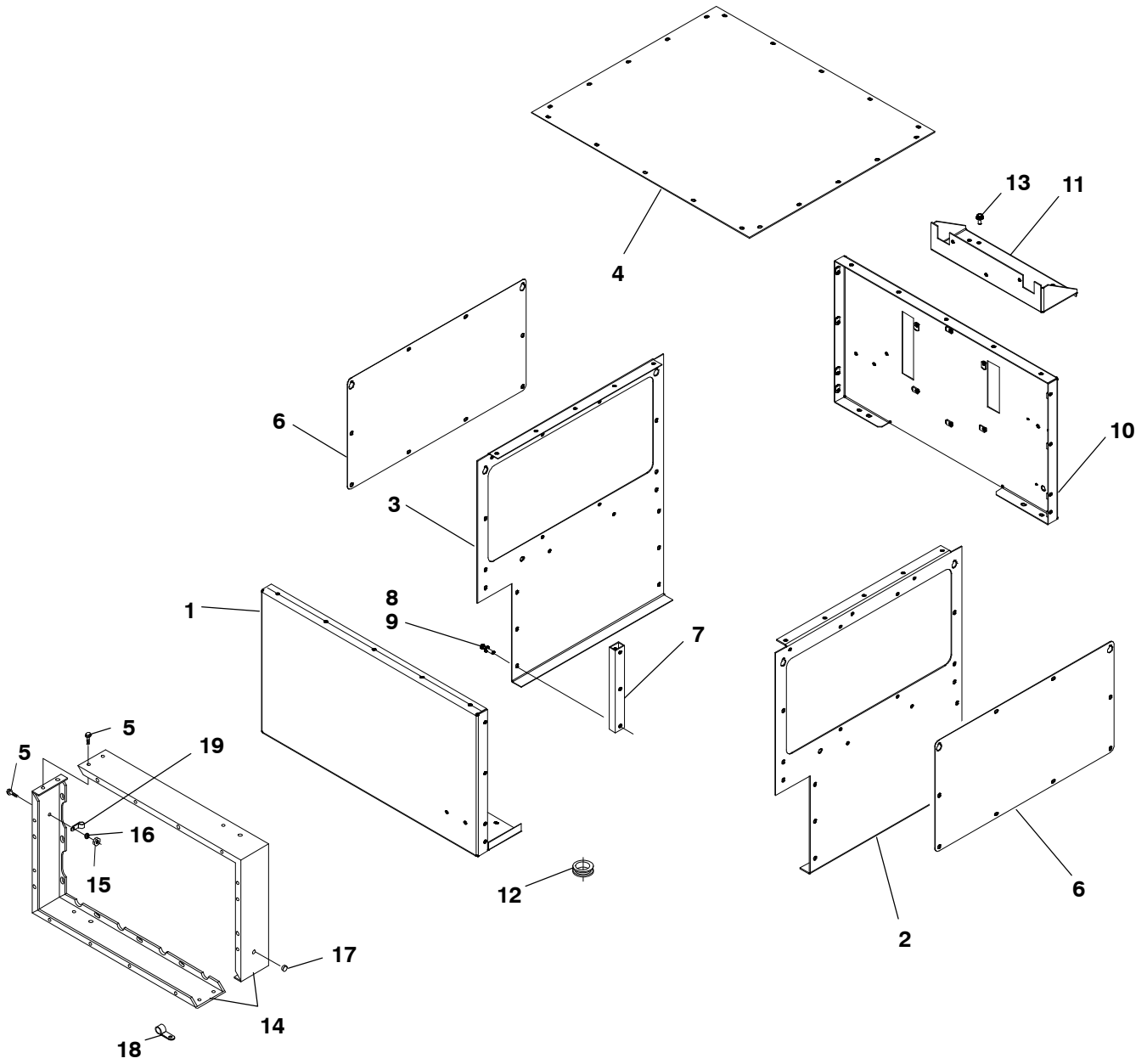
Control Housing Model HC7 Generators



Control Housing Model HC7 Generators

REF NO.	PART NO.	QTY USED	PART DESCRIPTION	REF NO.	PART NO.	QTY USED	PART DESCRIPTION
1	319-3270-04	1	Panel – Bottom	19	319-3263	1	Angle, Support (5-1/2")
2	319-3283-01	1	Panel – Right Side – Bottom	20	517-0131	1	Plug, Hole (Fits 3/8" Hole)
3	508-1057	1	Grommet, Rubber (Fits 2-1/4" Hole)	21	402-0729	4	Isolator, Vibration
4	319-3261	1	Panel – Front	22	319-3269	1	Angle, Support (6-1/2")
5	319-1093	1	Cover, Top	23	319-1203-01	2	Gusset
6	821-6002-03	26	Screw, Hex Head (M6 x 16mm)	24	870-2056	6	Nut, Hex (M10)
7	319-3283-02	1	Panel – Left Side – Bottom	25	800-2086	11	Screw, Cap – Hex Head (M10 x 25mm)
8	856-0006	1	Washer, Lock – EIT (1/4")	26	517-0135	1	Plug, Hole (Fits 5/8" Hole)
9	319-2767	1	Grille	27			Cover, Side – Upper
10	870-2054	10	Nut, Locking (M6)		319-1095	2	Without Circuit Breaker, Entrance Box or BUS Box
11	319-3281-01	1	Panel – Left Side – Upper		319-1095	1	With Circuit Breaker, Entrance Box or BUS Box
12	319-0881	2	Cover, Side – Lower	28	332-3740	1	Clamp, Strain
13	319-3268	2	Bracket, Saddle	29	814-2150	3	Screw, Flat Head – Cross Recessed (M3 x 0.5 x 10)
14	319-3281-02	1	Panel – Left Side – Upper	30	405-7245-02	1	Rail, Enclosure – Front
15	850-2010	11	Washer, Lock – Spring (M10)	31	405-7247-02	2	Rail, Enclosure – Support
16	319-1092	1	Bracket, Panel				
17	821-6003-02	62	Screw, Self-Locking – Hex Washer Head (M8 x 20mm)				
18	526-0141	6	Washer, Flat (3/8")				

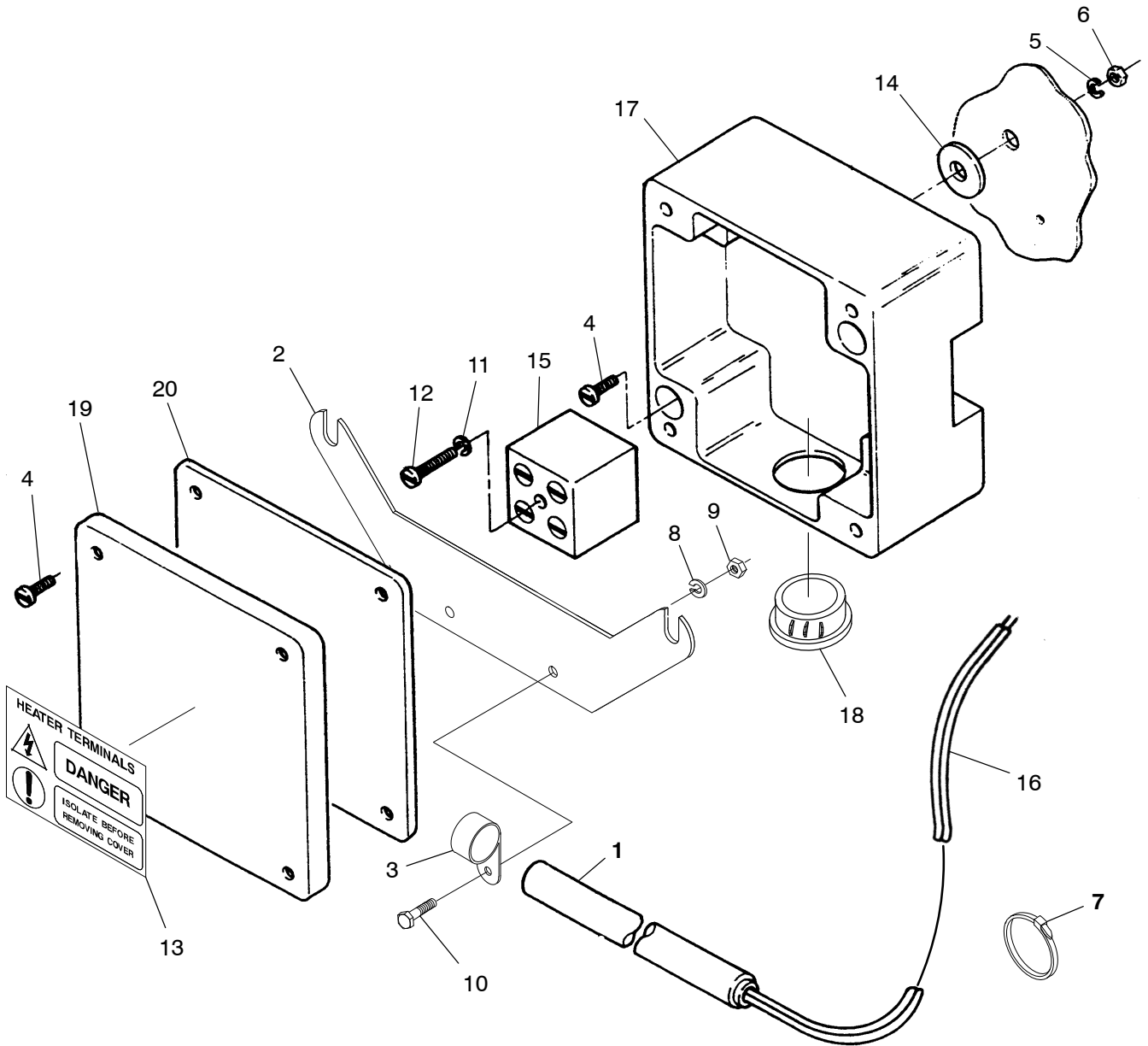
Control Housing Model P7 Alternators



Control Housing Model P7 Alternators

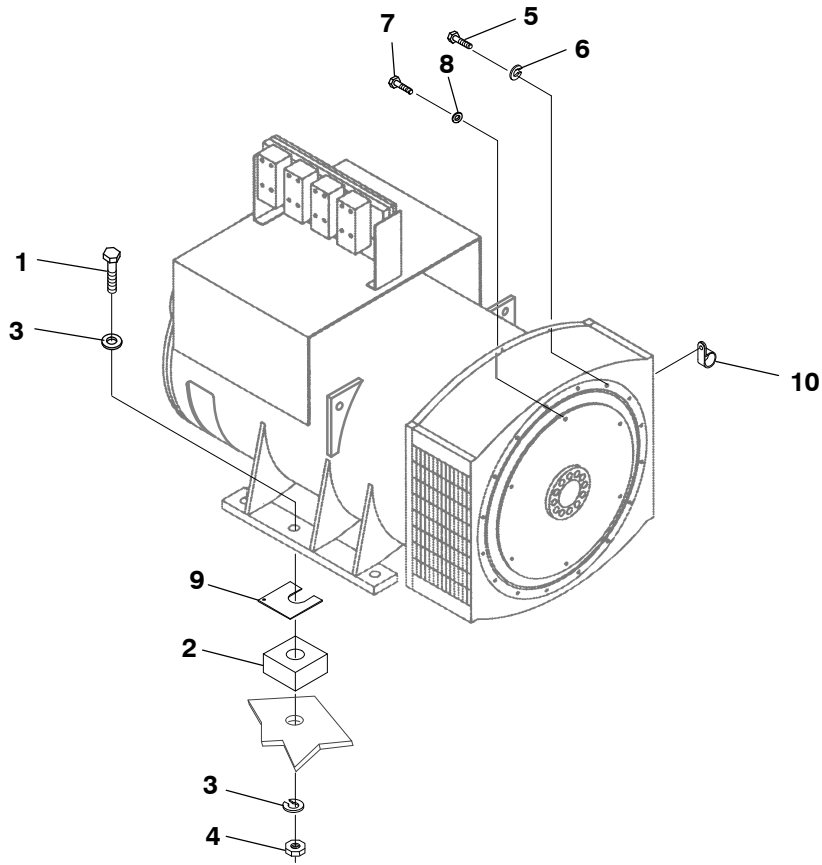
REF NO.	PART NO.	QTY USED	PART DESCRIPTION	REF NO.	PART NO.	QTY USED	PART DESCRIPTION
1			Panel, Terminal – Back	11			Bracket, Control
	319-5081-02	1	PCC2100		319-5181-02	1	PCC2100
	319-5190-02	1	PCC3100		319-5181-02	2	PCC3100
2	319-5082-02	1	Panel, Terminal – Left Side	12			Grommet
3	319-5085-02	1	Panel, Terminal – Right Side		508-1090	1	PCC2100
4	319-5083-02	1	Panel, Terminal – Top		508-1090	3	PCC3100
5			Screw, Hex Head (M8 x 1.25 x 20)	13	821-0014	4	Screw, Locking – Hex Head (5/16-18 x .50) PCC3100
	821-6003-02	55	PCC2100	14	319-3277	2	Wrapper, Control Box – PCC3100
	821-6003-02	77	PCC3100				
6	319-5097-02	2	Panel, Terminal	15	870-2055	3	Nut, Lock – Flange (M8 x 1.25) PCC3100
7	319-5489-02	4	Box, Terminal – Spacer				
8	800-2061	12	Screw, Cap – Hex Head (M8 x 40)	16	526-1115	3	Washer, Flat (5/16) PCC3100
9	526-0399-60	12	Washer, Flat (M8)	17	517-0131	1	Plug, Hole – PCC3100
10			Panel, Terminal – Front	18	332-2634	2	Clamp, J – PCC3100
	319-5182-02	1	PCC2100	19	518-0548-42	3	Clamp, Hose – PCC3100
	319-5183-02	1	PCC3100				

Generator Heater



REF NO.	PART NO.	QTY USED	PART DESCRIPTION	REF NO.	PART NO.	QTY USED	PART DESCRIPTION
1	541-1416	1	* Kit Heater, Relay	11	850-2003	1	Washer, Lock - Spring (M3)
	333-0438-05	1	Cartridge, Heater (300 Watt)	12	822-3047	1	Screw, Machine - Pan Head (M3 x 20mm)
	333-0438-06	1	120 Volt	13	098-7281	1	Label, Heater Warning
		1	240 Volt	14	508-0228	1	Grommet
2	232-3849	1	Bracket, Mounting - Heater	15	332-3023	1	Block, Terminal
3	332-3024-14	2	Clamp, Loop	16	898-1254-25	1	Sleeving - Heater Leads (59")
4	822-3075	6	Screw, Machine - Slotted Pan Head (M4 x 16mm)	17	330-0142	1	Box, Terminal (Includes Cover and Gasket - Ref No. 19 and 20)
5	850-2004	2	Washer, Lock - Spring (M4)	18	517-0021	1	Plug, Dot Button
6	860-2005	2	Nut, Hex (M4)	19	330-0141-03	1	Cover, Box
7	332-1389	4	Tie, Cable	20	330-0141-04	1	Gasket, Cover
8	850-2005	2	Washer, Lock - Spring (M5)		*	-	Available for failed units, models DFLB, DFLE and DFLE. Not required for functioning units.
9	860-2006	2	Nut, Hex (M5)				
10	800-2008	2	Screw, Cap - Hex Head (M5 x 16mm)				

Generator Mounting



REF NO.	PART NO.	QTY USED	PART DESCRIPTION	REF NO.	PART NO.	QTY USED	PART DESCRIPTION
1	800-0303	2	Screw, Cap – Hex Head Model HC7 and P7 Generators (1-1/4-7 x 3-1/2")	7	805-0035	6	Bolt, Place (5/8-11 x 1-1/2") Grade 8
2	232-3551	2	Spacer – Model HC6 Generators	8	526-0416	6	Washer, Flat (5/8")
3	526-0445	4	Washer, Flat (1-3/8" ID x 3" OD x .136" Thk)	9			Shim (Quantity Used As Required)
4	862-0017	2	Nut, Hex (1-1/4-7)		232-3552-01	4	Model HC6 Generators 1/64" Thk
5			Screw, Cap – Hex Head – Grade 8		232-3552-02	4	5/64" Thk
	800-0576	16	Model HC6 Generators (1/2-13 x 1-3/4")		403-2921	4	7/64" Thk
	800-0596	16	Model HC7 and P7 Generators (1/2-13 x 2-1/4")				Model HC7 and P7 Generators
6	850-0060	16	Washer, Lock – Spring (1/2")		232-3941-01	4	2.6 mm Thk
					232-3941-02	4	1.9 mm Thk
					232-3941-03	4	6 mm Thk
					232-3941-04	4	4.8 mm Thk
				10	332-3196	1	Clamp, "J"

Generator

Frame 6 and Frame 7 generator component parts cannot be ordered from Cummins Power Generation. Refer to the Newage nameplate and supply all available information. Contact your nearest Newage distributor for assistance in ordering component parts. For a COMPLETE generator replacement, use the 249-XXXX-XX or the 200-XXXX-XX Cummins Power Generation identification number.

Cummins Power Generation Identification Number	Generator Model
200-3051-07	HC634K
200-3052-07	HC634K
200-3053-07	HC634K
200-3054-01	HC734E
200-3054-02	HC734F
200-3054-05	HC734G
200-3055-01	HC734E
200-3055-02	HC734F
200-3055-05	HC734G
200-3128-01	P734B
200-3128-02	P734C
200-3128-03	P734D
200-3128-04	P734E
200-3128-05	P734F
200-3128-06	P734G
200-3128-07	P734B
200-3128-08	P734C
200-3128-09	P734D
200-3128-10	P734E
200-3128-11	P734F
200-3128-12	P734G
200-3128-19	P734B

Continued...

Continued...

Cummins Power Generation Identification Number	Generator Model
200-3128-20	P734C
200-3128-21	P734D
200-3128-22	P734E
200-3128-25	P734B
200-3128-26	P734C
200-3128-27	P734D
200-3128-28	P734E
249-5095-05	MV734WF
249-5095-06	MV734WG

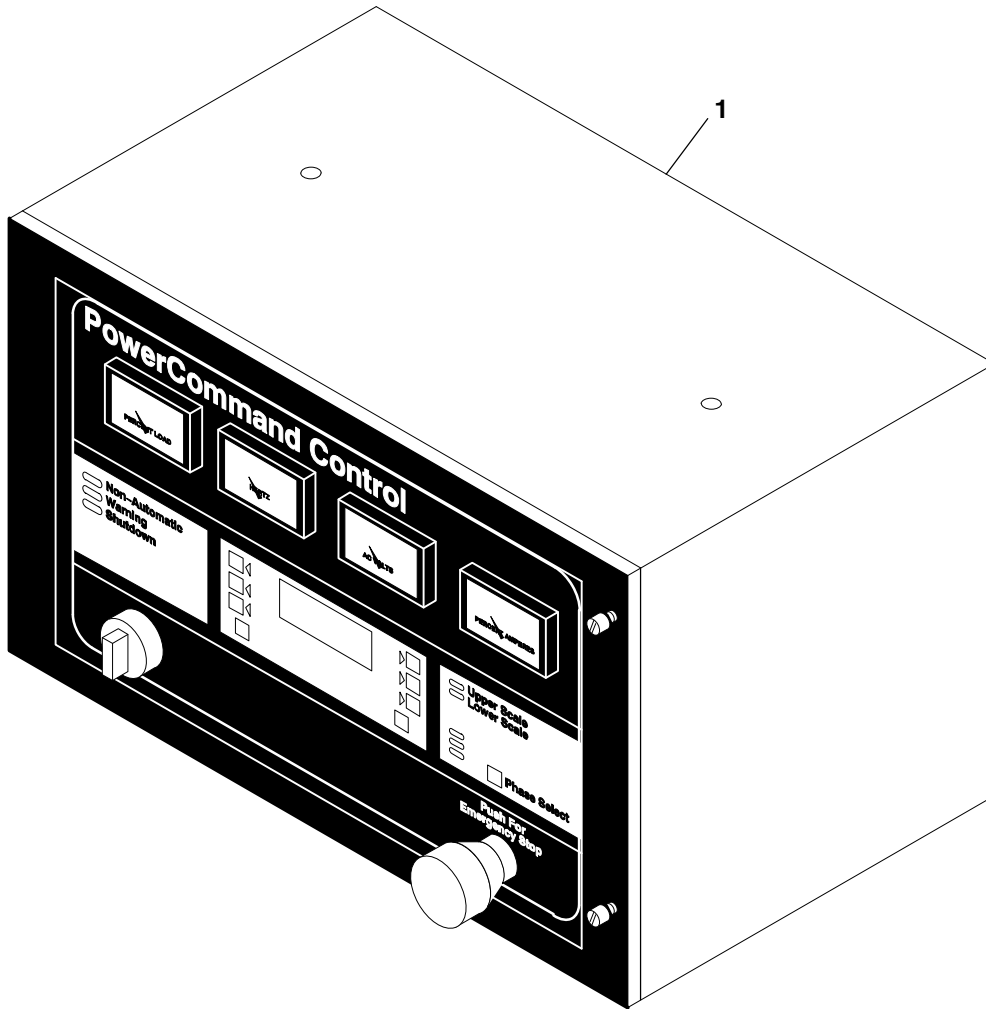
NOTE: From Field Flash Titled “Hardened Cartridge for Alternator Bearing UPDATE” Kit to replace a Standard or Hardened Cartridge. The new kit includes a new bearing and cartridge.

0541-1217 Alternator Kit for HC-7 or MV-7 or P7

0541-1218 Alternator Kit for Frame 8 Mark1

0541-1219 Alternator Kit for P80

**PowerCommand Control
PCC 3100**

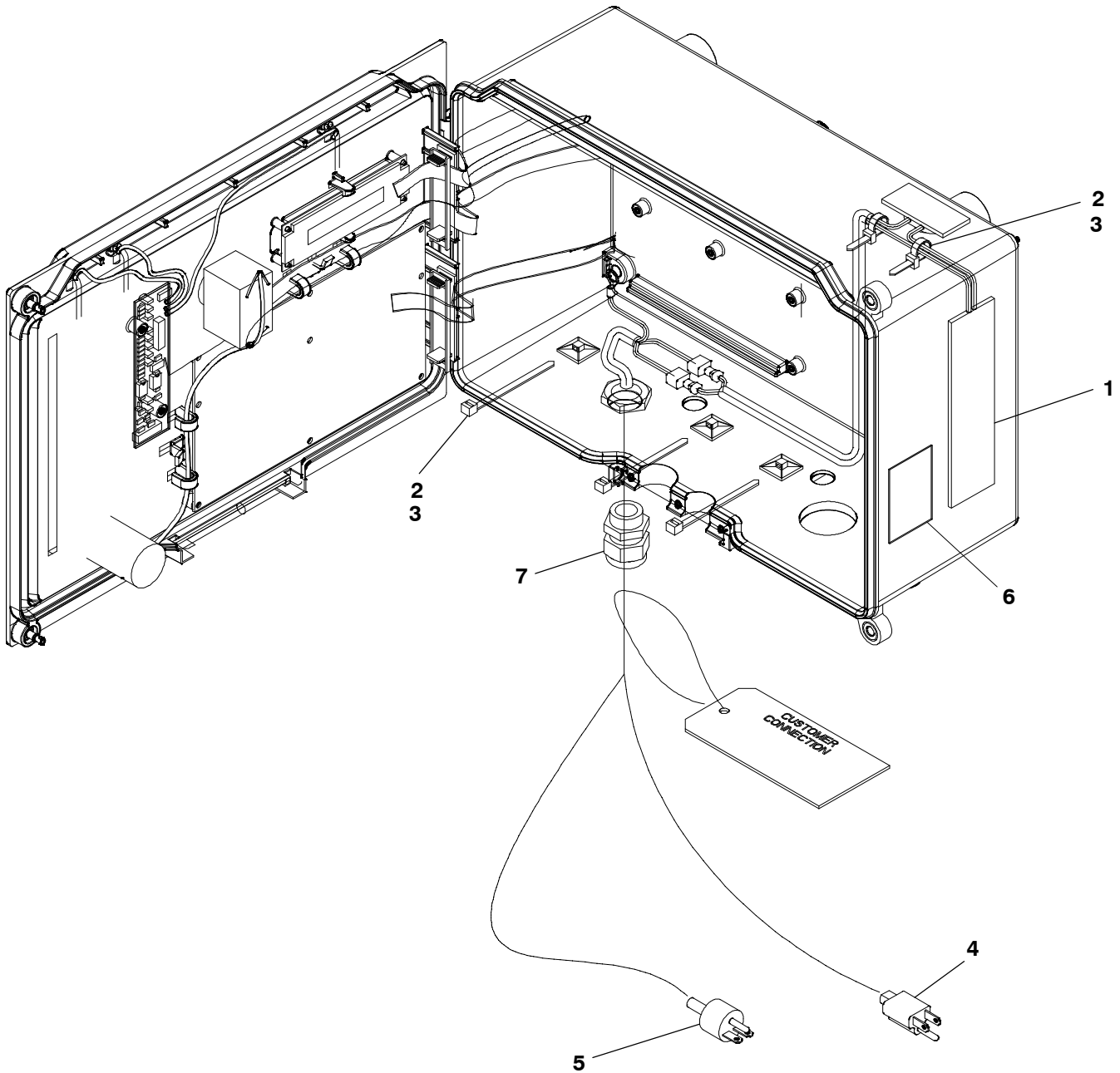


REF NO.	PART NO.	QTY USED	PART DESCRIPTION
1	-	1	Control, PowerCommand

REF NO.	PART NO.	QTY USED	PART DESCRIPTION
---------	----------	----------	------------------

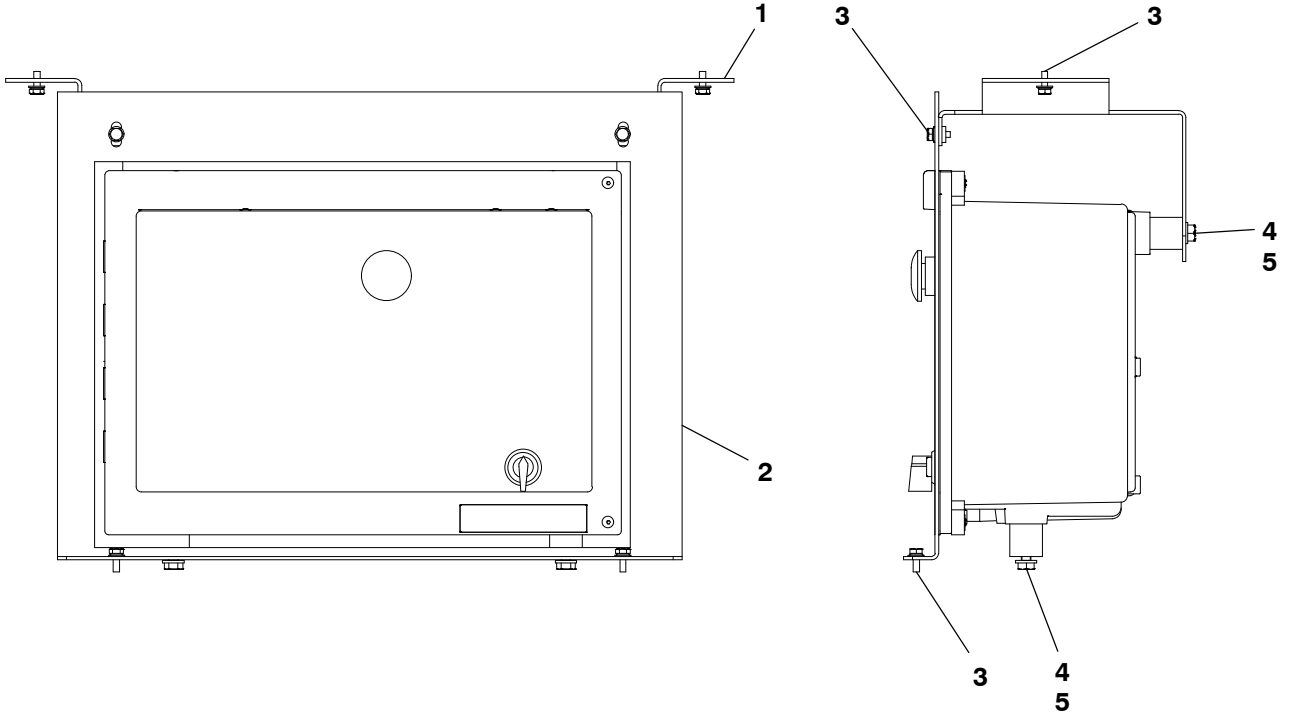
Note: For PowerCommand Control Service Replacement Parts, Order PowerCommand Control For Generator Sets Parts Catalog Number 960-0205.

Control Heater PCC 2100



REF NO.	PART NO.	QTY USED	PART DESCRIPTION	REF NO.	PART NO.	QTY USED	PART DESCRIPTION
1	333-0661-01	1	Heater, Control 120V	5	335-0173-01	1	Cable, Control Heater - 240V
	333-0661-02	1	240V	6	098-6195	1	Label, Caution
2	332-2420	3	Mount, Cable Tie	7	323-2003-02	1	Strain Relief
3	332-1445	3	Tie, Cable				
4	335-0173	1	Cable, Control Heater - 120V				

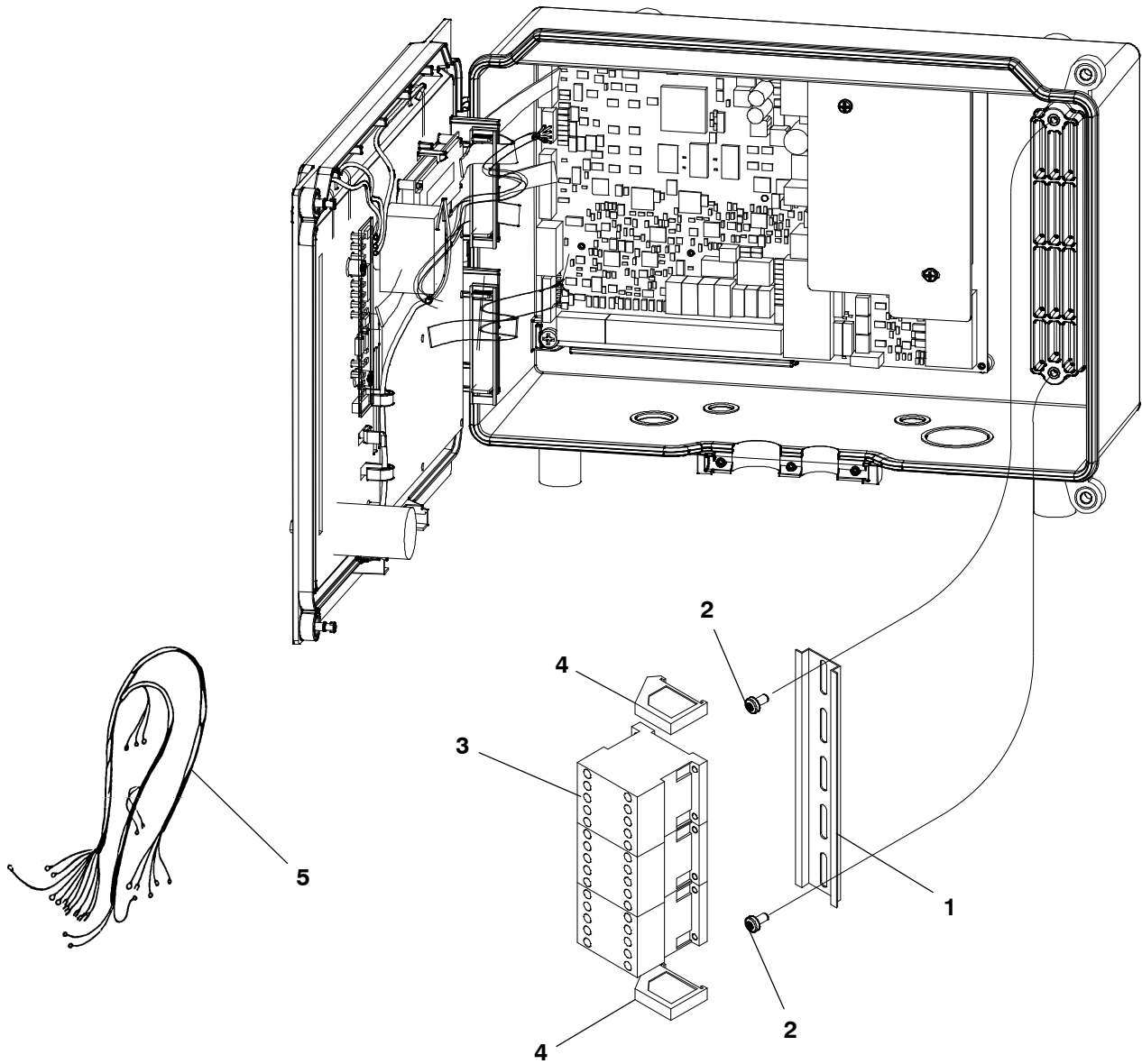
Control Installation PCC 2100



REF NO.	PART NO.	QTY USED	PART DESCRIPTION
1	405-7246-02	1	Rail, Enclosure - Control
2	405-7248-02	1	Panel, Enclosure - Control
3	821-6002-02	6	Screw, Hex Head (M6 x 1.0 x 12)

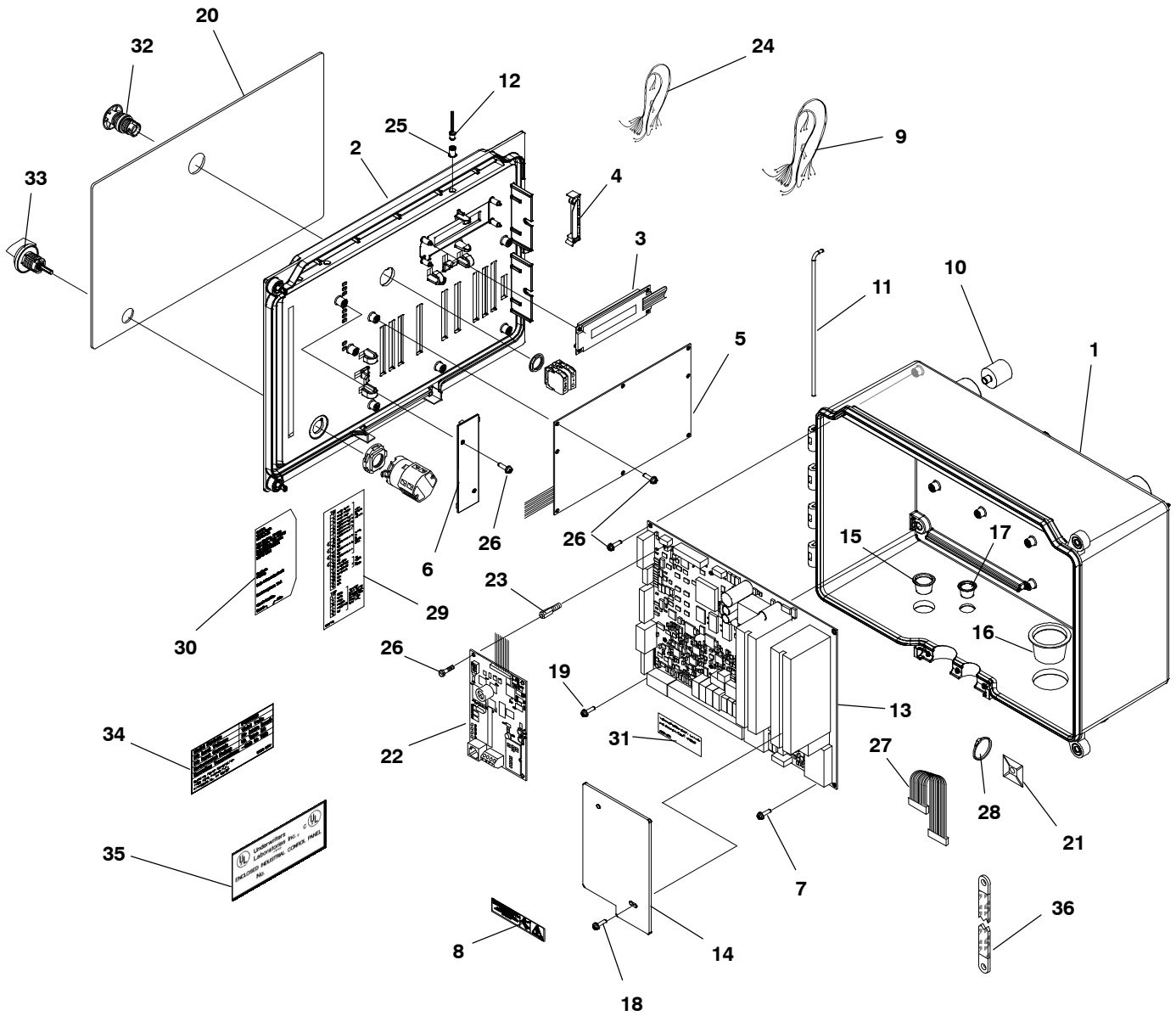
REF NO.	PART NO.	QTY USED	PART DESCRIPTION
4	526-2100	4	Washer, Flat (M8)
5	800-2054	4	Screw, Cap - Hex Head (M8 x 1.25 x 14)

Control Relay PCC 2100



REF NO.	PART NO.	QTY USED	PART DESCRIPTION	REF NO.	PART NO.	QTY USED	PART DESCRIPTION
1	332-3842	1	Rail, Terminal Block	4	332-2878	2	Bracket, End - Terminal
2	823-1006-02	2	Screw, Pan Head (M5)	5	338-4209	1	Harness, Relay
3	307-2874	3	Relay, Control - 24V				

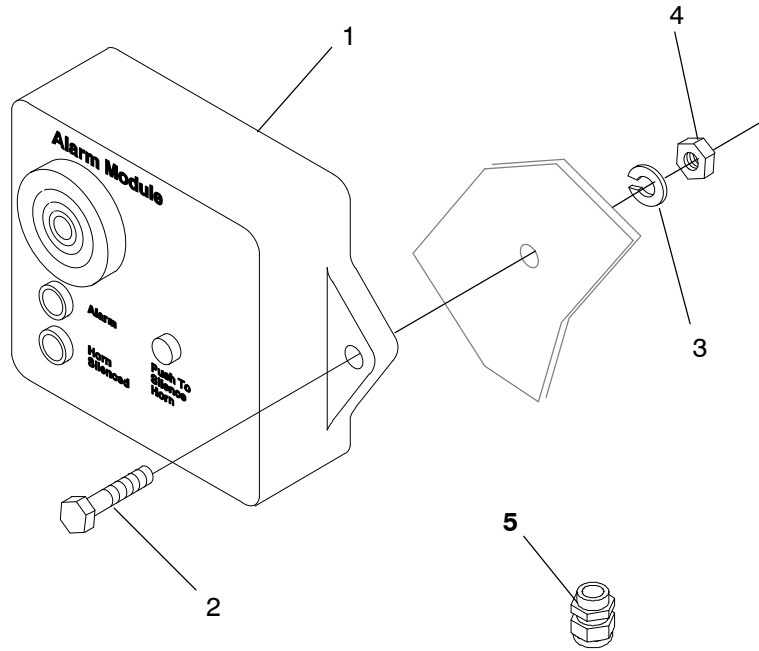
Control PCC 2100



**Control
PCC 2100**

REF NO.	PART NO.	QTY USED	PART DESCRIPTION	REF NO.	PART NO.	QTY USED	PART DESCRIPTION
1	319-4487	1	Box, Control	20			Panel, Membrane
2	319-4488	1	Door Control		300-5446	1	With Bargraph
3	300-5467	1	Display, Digital		300-5447	1	Without Bargraph
4	332-3896	4	Clamp, Cable	21	332-2420	2	Mount, Cable Tie
5	300-5180	1	Board, Printed Circuit - Bargraph	22	327-1275	1	Board, Printed Circuit - NCM
6	300-5383	1	Board, Printed Circuit - LED	23	870-2213-02	4	Standoff, Hex Threaded - With NCM
7	819-1137-02	4	Screw, Pan Head - Cross Recessed (M3 x 8)	24	338-3994	1	Harness, Panel Light
8	098-7904	2	Label, Danger	25	322-0488	3	Lens, LED
9	338-3991	1	Harness, Control - Door	26			Screw, Pan Head - Cross Recessed (M3 x 6)
10	402-0764-01	4	Mount, Isolator		819-1137-01	9	Without Bargraph
11	406-0845	1	Pin, Hinge		819-1137-01	15	With Bargraph
12	322-0491	3	Lamp, LED	27	335-0189	1	Cable, Ribbon
13	300-5381	1	Board, Printed Circuit - Base	28	332-1445	3	Tie, Cable
14	319-4497	1	Guard, Electrical	29	098-7918	1	Label, Information
15	517-0356	1	Plug, Hole (Fits 22.5mm DIA. Hole)	30	098-7961-01	1	Label, Information - Panel Insert
16	517-0357	1	Plug, Hole (Fits 38mm DIA. Hole)	31	098-7989	1	Label, Instruction - Torque
17	517-0355	2	Plug, Hole (Fits 16mm DIA. Hole)	32	308-0999	1	Switch, Emergency Stop
18	815-0792-02	2	Screw, Machine - Pan Head (M4 x 0.7 x 8)	33	308-1085	1	Switch, Selector
19	819-1144	2	Screw, Pan Head - Cross Recessed (M6 x 8)	34	098-8057	1	Label, Information - Rating
				35	098-6984	1	Label, UL
				36	337-0049	1	Strap, Bond

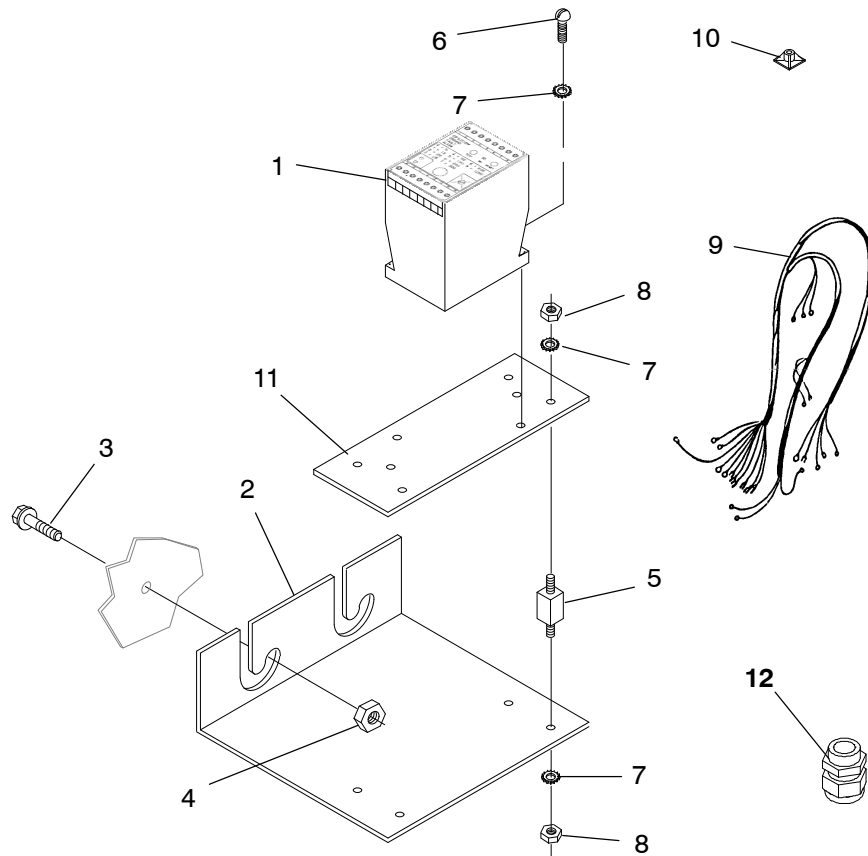
Alarm Module



KA08

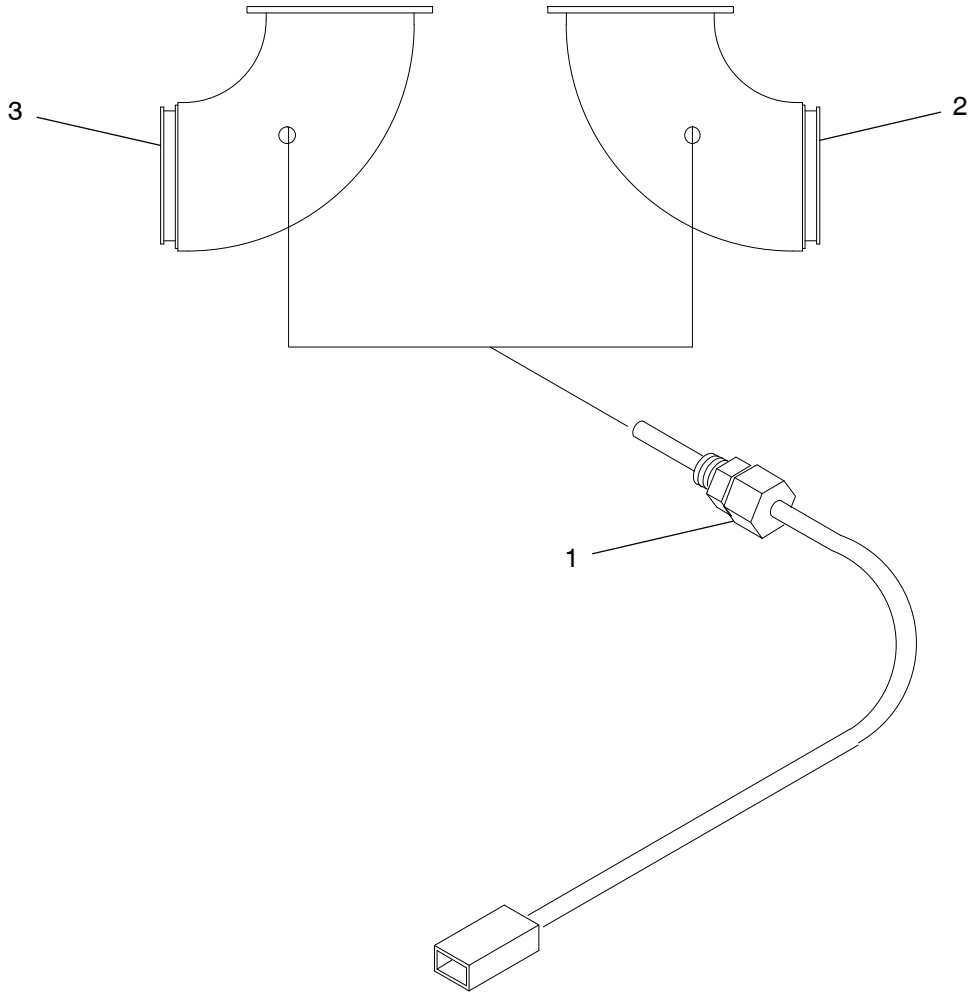
REF NO.	PART NO.	QTY USED	PART DESCRIPTION	REF NO.	PART NO.	QTY USED	PART DESCRIPTION
1	300-3998-01	1	Module, Alarm (24V)	3	850-0040	2	Washer, Lock (1/4)
2	800-0006	2	Screw, Cap - Hex Head (1/4-20 x 7/8)	4	862-0001	2	Nut, Hex (1/4-20)
				5	323-2003-01	1	Strain Relief

Ground Fault Relay



REF NO.	PART NO.	QTY USED	PART DESCRIPTION	REF NO.	PART NO.	QTY USED	PART DESCRIPTION
1	307-2843	1	Relay (GFA)	7	853-0005	8	Washer, Lock - EIT (#8)
2	301-6987	1	Bracket, Mounting	8	870-0221	10	Nut, Hex (#8-32)
3	821-0017	2	Screw, Self-Locking - Hex Washer Head (5/16-18 x 1/2")	9	338-4245	1	Harness, Wiring - Relay 4-5 Frame
4	870-0257	2	Nut, Hex - Self-Locking (5/16-18)		338-4246	1	6-7 Frame
5	402-0354	4	Mount, Shock	10	332-2420	2	Mount, Cable Tie
6	812-0081	2	Screw, Machine - Round Head (#8-32 x 5/8")	11	319-0030	1	Plate, Mounting
				12	323-2003-01	1	Relief, Strain

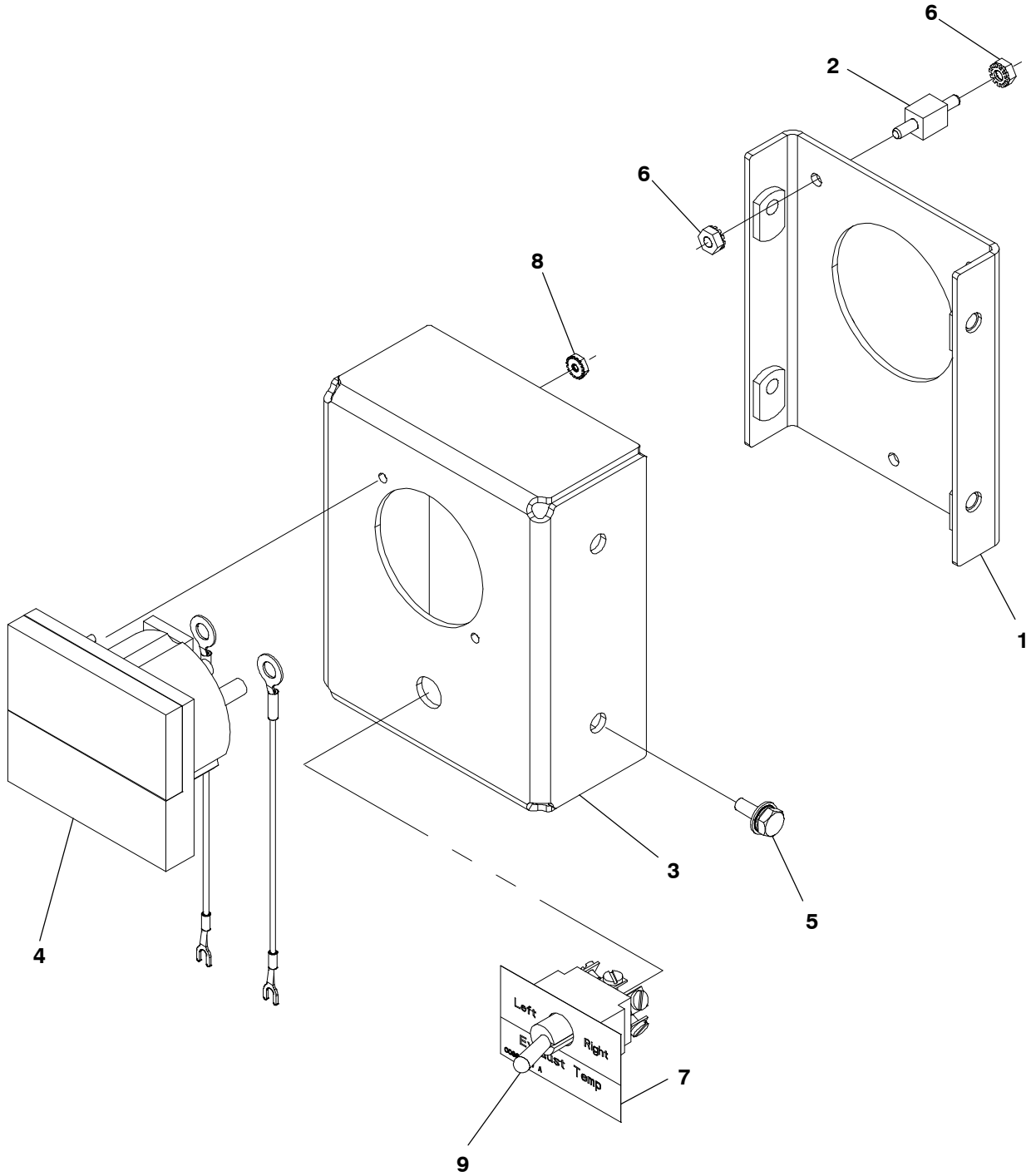
**Pyrometer
PCC 3100**



H244

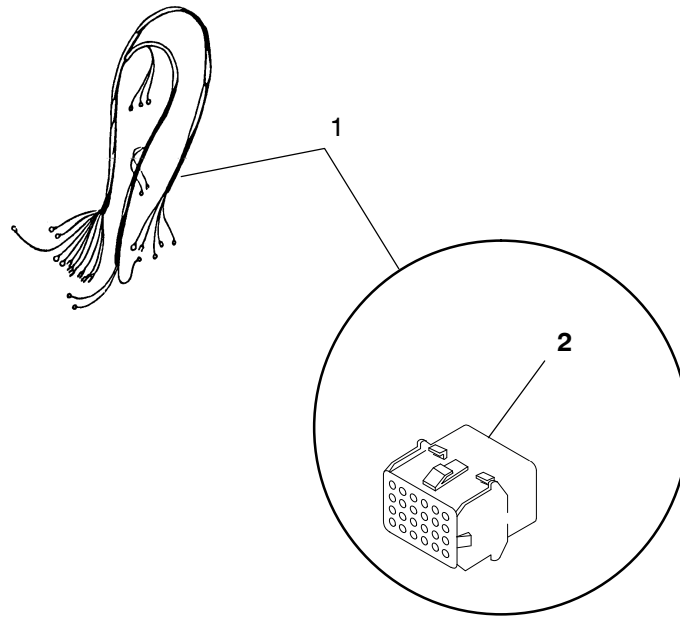
REF NO.	PART NO.	QTY USED	PART DESCRIPTION	REF NO.	PART NO.	QTY USED	PART DESCRIPTION
1	193-0446-02	1	Lead, Thermocouple All Generator Models – 30"	3			Elbow, Exhaust – With Tapped Hole On The Elbow Side Illustrated Above
	193-0446-01	1	DFLB – 12"				
	193-0446-03	1	DFLC, DFLE – 50"				
2			Elbow, Exhaust – With Tapped Hole On The Elbow Side Illustrated Above	155-2531-05	1		DFLB
	155-2531-02	1	DFLB	155-2531-06	1		DFLC, DFLE
	155-2531-03	1	DFLC, DFLE				

Pyrometer Dual Thermocouple PCC 2100



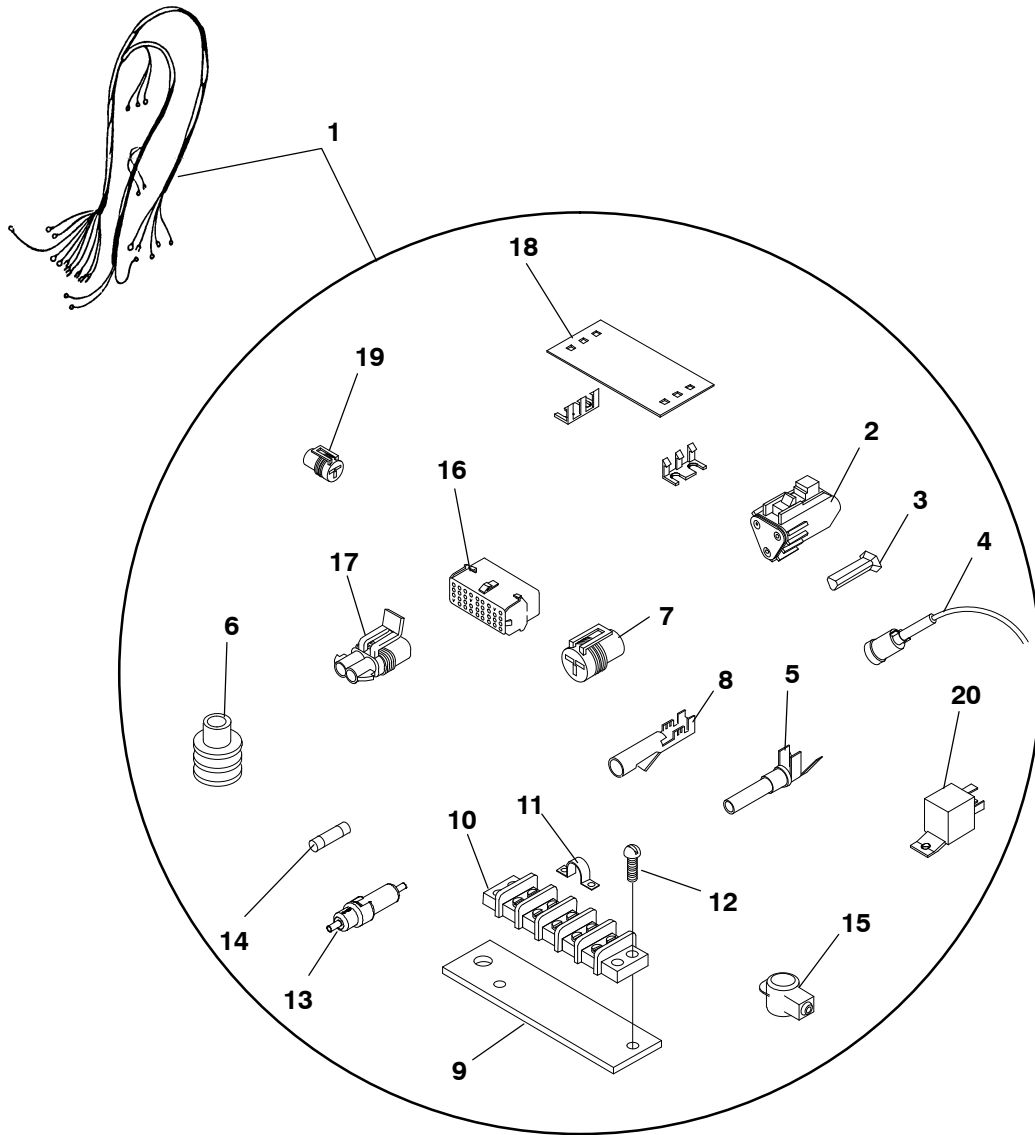
REF NO.	PART NO.	QTY USED	PART DESCRIPTION	REF NO.	PART NO.	QTY USED	PART DESCRIPTION
1	302-2073-02	1	Bracket, Meter - Panel	6	870-0221	6	Nut, Hex (#8-32)
2	402-0354	3	Mount, Shock	7	098-8184	1	Label, Instruction - Switch
3	319-5189-02	1	Panel, Meter	8	870-1220	2	Nut, Hex - W/ET (#4-40)
4	302-1874	1	Meter, Pyrometer	9	308-0068	1	Switch, Toggle
5	821-6002-02	4	Screw, Hex Head (M6 x 1 x 12)				

AC Wiring Harness



REF NO.	PART NO.	QTY USED	PART DESCRIPTION	REF NO.	PART NO.	QTY USED	PART DESCRIPTION
1	338-4186		Harness, Wiring – PMG (Includes Plug)	2	323-1523	1	Plug, Connector (24 Place)

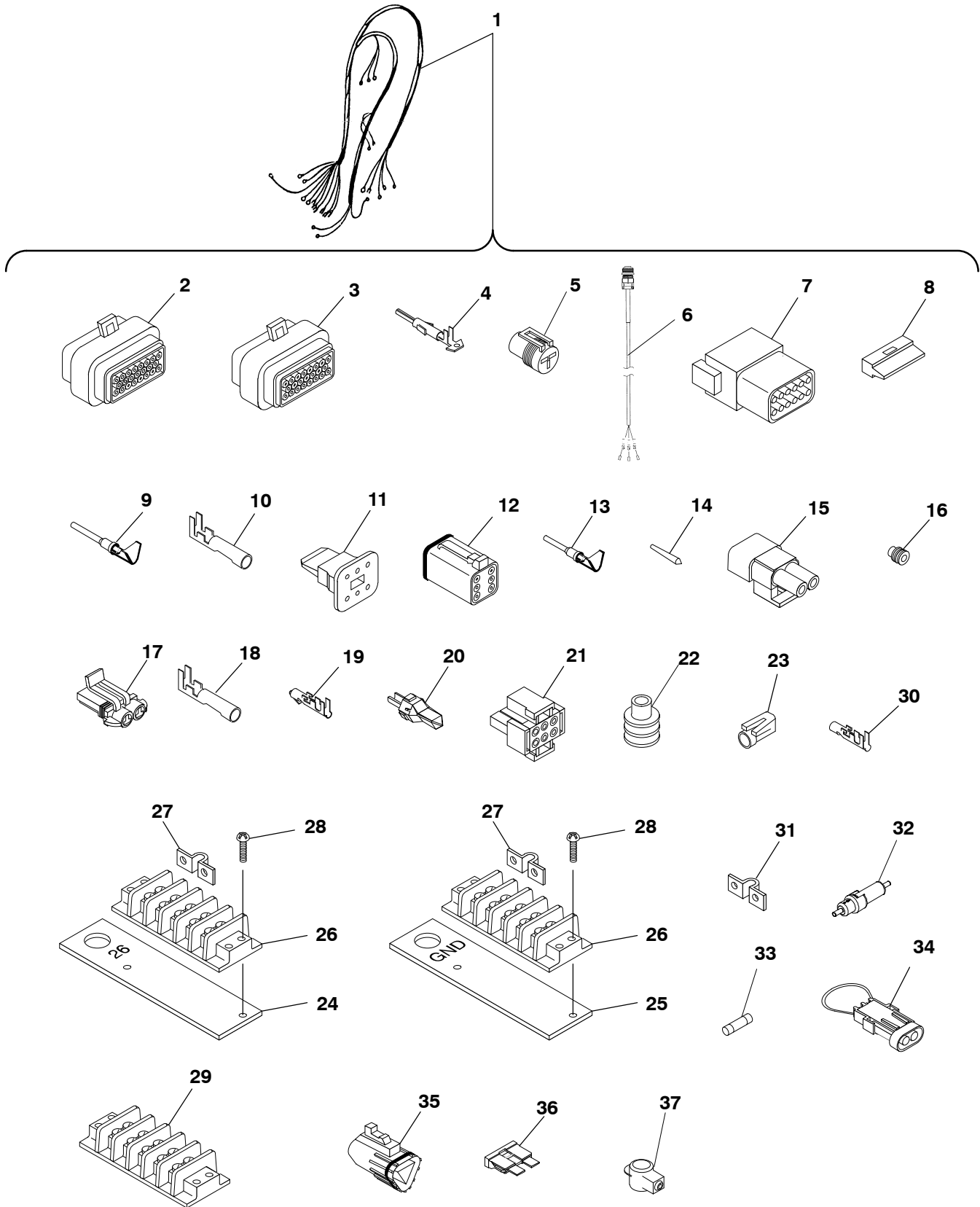
**Wiring Harness
Engine to Control
DFLB Spec S, DFLC Spec V, DFLE**



REF NO.	PART NO.	QTY USED	PART DESCRIPTION	REF NO.	PART NO.	QTY USED	PART DESCRIPTION
1	338-4232	1	Harness, Wiring – Engine to Control (Includes Parts Listed Below)	12	815-0538	2	Screw, Machine – Round Head – Cross Recessed – W/IT (#8-32 x 1/2")
2	323-1493	1	Plug, Connector (3 Place)	13	321-0371	1	Holder, Fuse
3	323-1503	1	Wedge, Plug	14	321-0372-01	1	Fuse – 3 Amp
4	338-2592-03	1	Cable, Magnetic Pickup	15	416-1021-03	2	Boot
5	323-1492	3	Socket, Contact	16	323-1525	1	Connector – 36 Pin
6	323-1708	4	Seal, Cable	17	323-1755	2	Connector, Socket – Housing
7	323-1666	1	Socket, Connector (3 Place)	18	332-3792-01	1	Cover, Terminal Block (Includes Spring Clips)
8	323-1667	3	Socket, Contact	19	323-1765	1	Housing, Connector – 4 Pin
9	319-2006-05	1	Bracket, Mounting – Terminal	20	307-2817-02	1	Relay – 24V
10	332-0604	1	Block, Terminal (5 Place)				
11	332-1043	4	Jumper				

Engine Wiring Harness

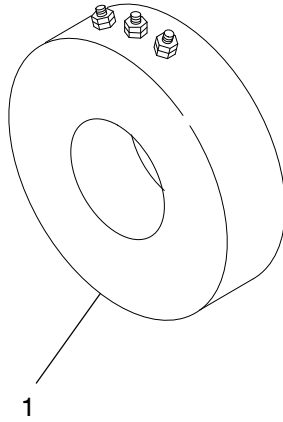
DFLB Begin Spec T, DFLLC Begin Spec W



**Engine Wiring Harness
DFLB Begin Spec T, DFLC Begin Spec W**

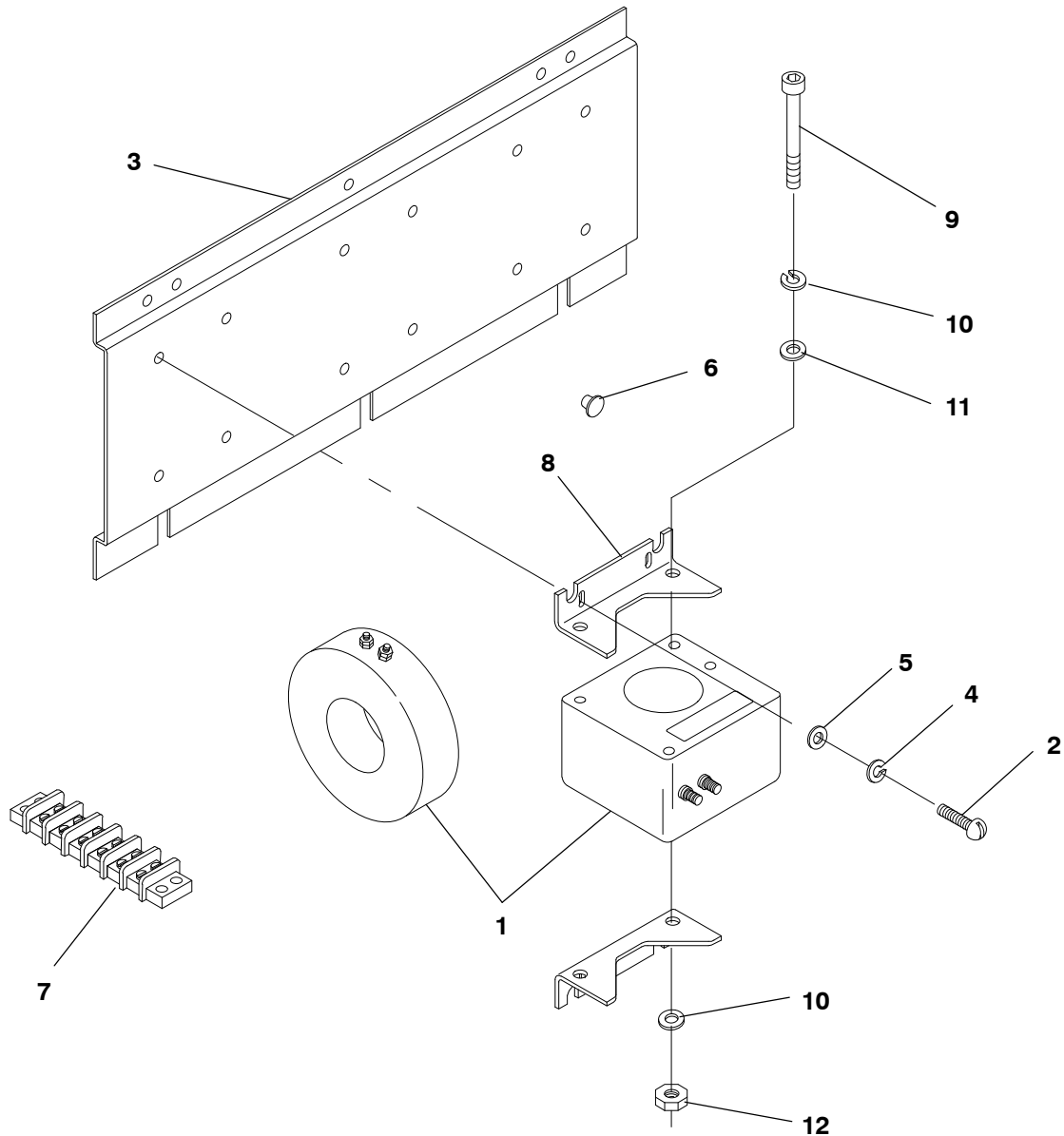
REF NO.	PART NO.	QTY USED	PART DESCRIPTION	REF NO.	PART NO.	QTY USED	PART DESCRIPTION
1	338-4321	1	Harness, Wiring – Engine to Control (Includes The Following Parts)	19	332-3096-01	6	Terminal, Socket (E2, E3, E4)
2	323-1605-03	1	Connector, Plug (23 Pin Gray) (P5)	20	323-1503	1	Wedge, Plug (3 Pin)
3	323-1605-02	2	Connector, Plug (23 Pin Natural) (P4, P6)	21	323-1643-01	1	Housing, Plug
4	323-1614-01	49	Socket, Contact (Used in P4, P5, P6)	22	323-1708	4	Seal, Cable
5	323-1765	1	Connector, Housing	23	323-1666	1	Connector, Socket (E1)
6	338-2592-02	1	Cable, Magnetic Pickup (P1)	24	319-2006-01	1	Bracket, Terminal Mounting (T26)
7	323-1580	1	Housing Receptacle (J12)	25	319-2006-02	1	Bracket, Terminal Mounting (Ground)
8	323-1581	1	Wedge, Receptacle (12 Pin)	26	332-0604	2	Block, Terminal
9	323-1491	5	Terminal, Socket	27	332-1043	8	Jumper
10	323-1648	5	Terminal, Socket	28	815-0538	4	Screw, Machine – Round Head – Cross Recessed W/IT (#8-32 x 1/2")
11	323-1624	1	Wedge, Lock – Plug (P7)	29	332-0604	1	Block, Terminal
12	323-1623	1	Plug (6 Pin) (P7)	30	323-1667	3	Terminal, Socket
13	323-1492	9	Socket, Female (P7)	31	332-1043	3	Jumper
14	323-1615	9	Plug (Used in P4, P5, P6)	32	321-0371	1	Holder, Fuse
15	323-1637	2	Connector, Socket (E6, E7)	33	321-0372-01	1	Fuse – 3 Amp
16	323-1445	10	Seal, Cable (E2, E3, E4, E6, E7)	34	338-3285	2	Harness, Jumper
17	323-1540	3	Connector, Socket (E2, E3, E4)	35	323-1493	1	Plug (3 Pin) (P3)
18	323-1444	4	Terminal, Socket (E6, E7)	36	321-0307-07	1	Fuse (20 Amp, 32 Volt, Yellow)
				37	416-1021-03	2	Boot

Current Transformer



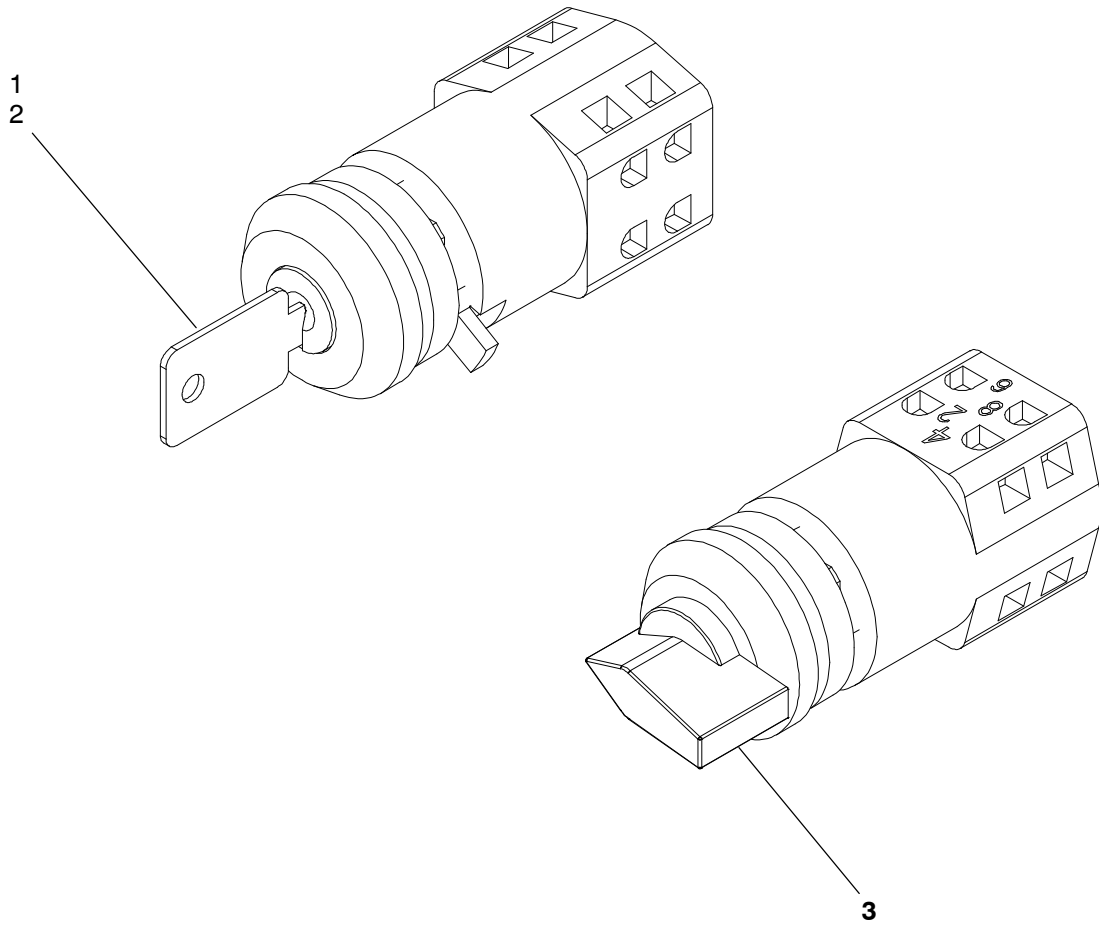
REF NO.	PART NO.	QTY USED	PART DESCRIPTION	REF NO.	PART NO.	QTY USED	PART DESCRIPTION
1			Transformer, Current (CT21, CT22, CT23)				
	302-2057-40	3	Ratio 2762/1 or 5524/1				
	302-2058-11	3	Ratio 3470/1				
	302-2058-13	3	Ratio 3943/1				
	302-2058-16	3	Ratio 4731/1				

Differential Current Transformer



REF NO.	PART NO.	QTY USED	PART DESCRIPTION	REF NO.	PART NO.	QTY USED	PART DESCRIPTION
1			Transformer, Current	6	517-0090	A/R	Plug, Tapered
	302-1945-05	3	300:5 Ratio	7	332-3178-01	1	Block, Short Circuit (Includes Short Circuit Strips and Four Shorting Pins)
	302-1945-06	3	400:5 Ratio				
	302-2060-06	3	2500:5 Ratio	8	319-3297	6	Bracket, Current Transformer
	302-2060-07	3	3000:5 Ratio	9	800-0039	6	Screw, Cap - Hex Head (5/16-18 x 3-1/2)
2	813-0098	12	Screw, Round Head (10-32 x 3/8)	10	526-0022	12	Washer, Flat
3	319-1265	1	Bracket, Current Transformer	11	850-0045	6	Washer, Lock (5/16)
4	850-0030	12	Washer, Lock (#10)	12	862-0015	6	Nut, Hex (5/16-18)
5	526-0008	12	Washer, Flat (#10)				

Operator Switch

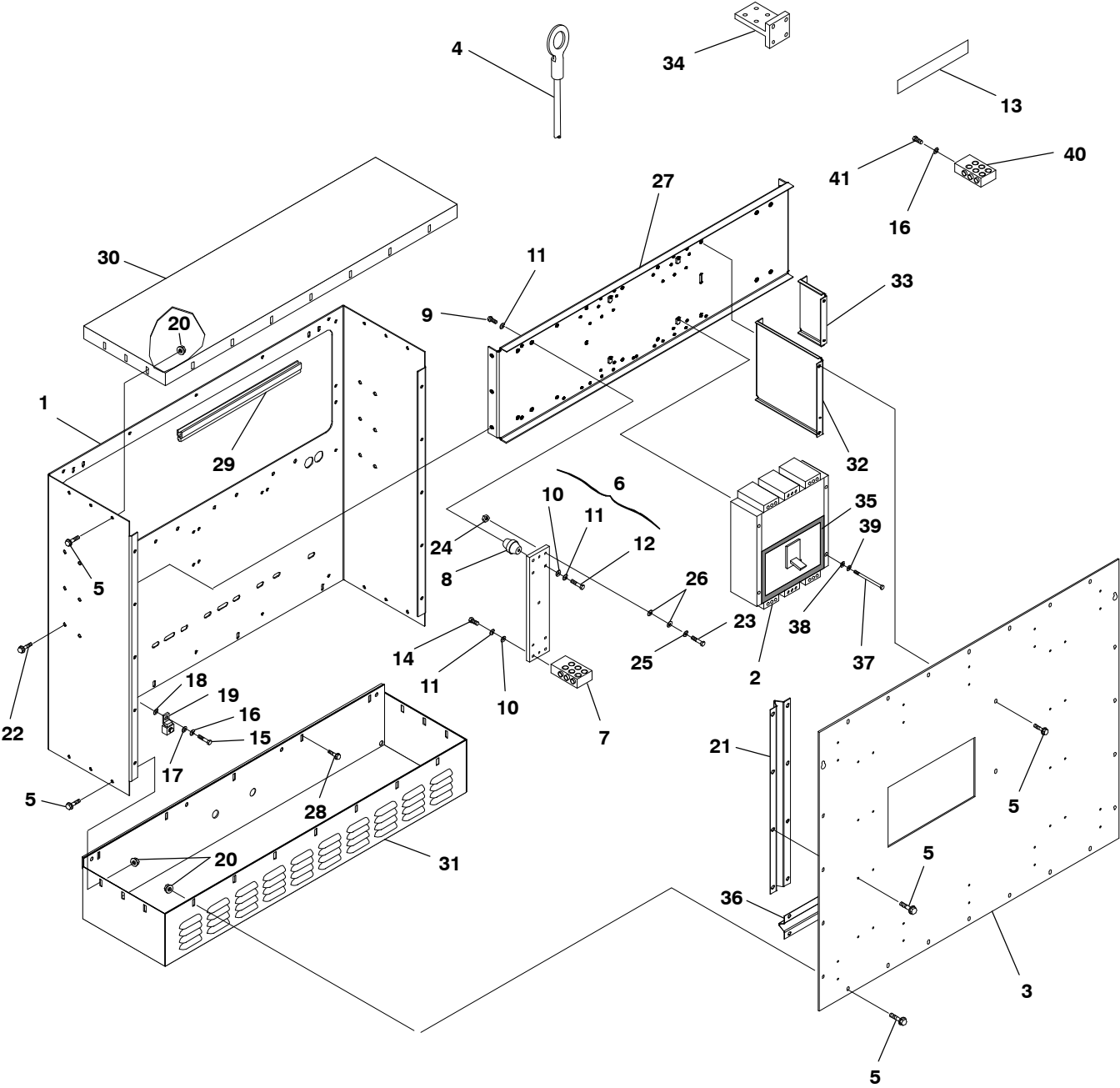


REF NO.	PART NO.	QTY USED	PART DESCRIPTION
1	308-1045	1	Switch, Key Operator
2	308-1046	2	Key - Spare

REF NO.	PART NO.	QTY USED	PART DESCRIPTION
3	308-1085	1	Switch, Selector

“Intentionally Left Blank”

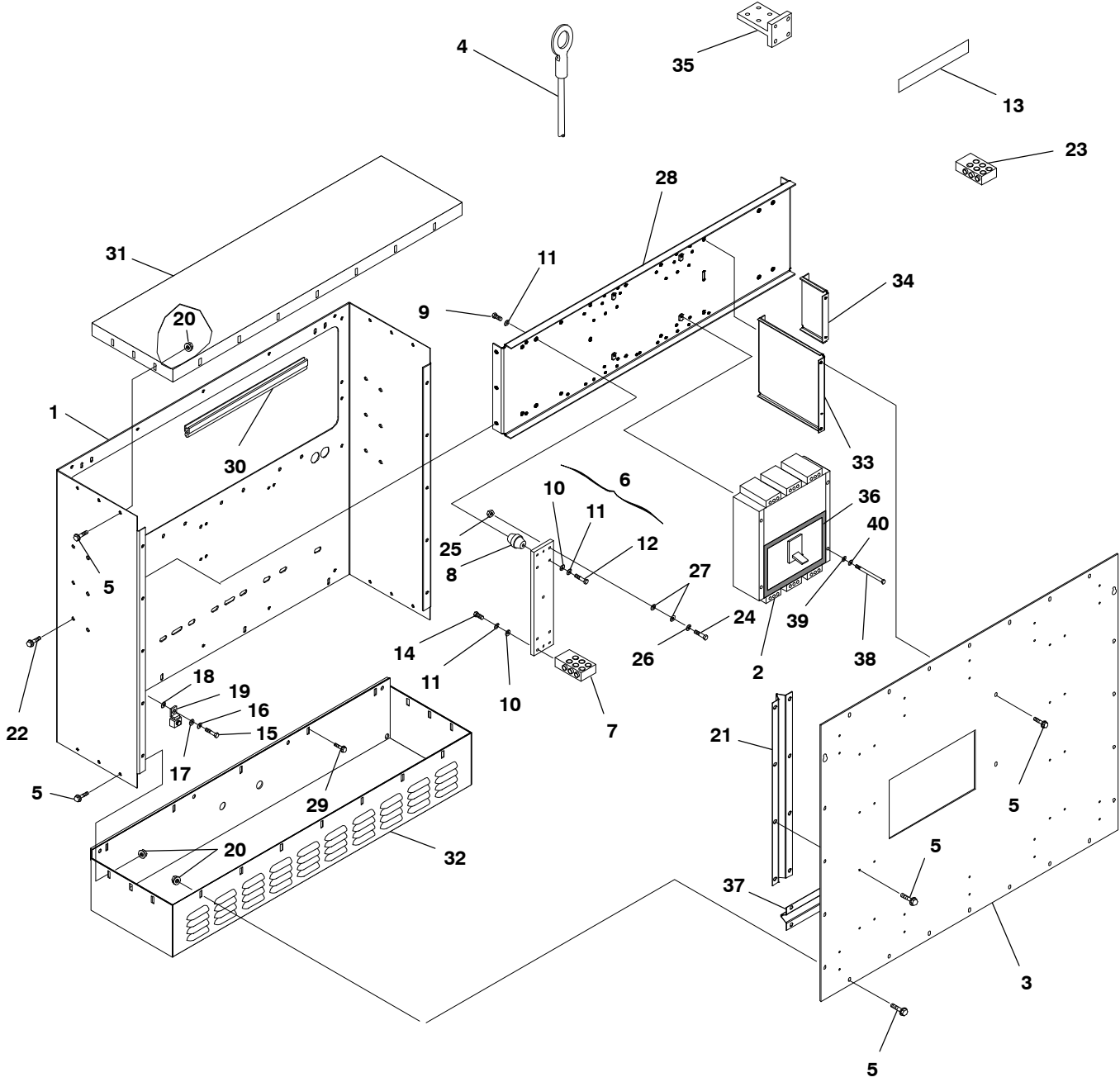
Circuit Breaker UL Listed



Circuit Breaker UL Listed

REF NO.	PART NO.	QTY USED	PART DESCRIPTION	REF NO.	PART NO.	QTY USED	PART DESCRIPTION
1	319-3184	1	Wrapper, Circuit Breaker	15	800-2086	1	Screw, Cap – Hex Head (M10 x 25mm)
2			Breaker, Circuit Standard	16			Washer, Lock (M10)
	320-1783-02	1	2000 Amp		850-2010	1	All Circuit Breakers Except 320-1907-01
	320-1783-03	1	2500 Amp				Circuit Breaker
			With Shunt Trip		850-2010	10	320-1907-01
	320-1783-06	1	2000 Amp	17	526-2120	1	Washer, Flat (M10)
	320-1783-07	1	2500 Amp	18	856-0010	1	Washer – EIT
			With Auxiliary Contacts and Bell Alarm	19	332-2001	1	Lug, Solderless
	320-1783-19	1	2000 Amp	20	870-0504	26	Nut, Self-Retaining (M6)
	320-1783-20	1	2500 Amp	21	319-3286	2	Brace, Access Door (Vertical)
			With Shunt Trip, Auxiliary Contacts and Bell Alarm	22	821-6003-02	6	Screw, Hex Head (M8 x 20mm)
	320-1783-10	1	2000 Amp	23	800-2116	24	Screw, Cap – Hex Head (M12 x 50mm)
	320-1783-11	1	2500 Amp	24	860-2010	24	Nut, Hex (M12)
			With Molded Case Switch	25	850-2012	24	Washer, Lock – Spring (M12)
	320-1907-01	1	1600 Amp	26	526-2140	48	Washer, Flat (M12)
	320-1907-02	1	2000 Amp	27	319-3153	1	Bracket, Mounting
3	319-3266-01	1	Cover, Circuit Breaker Box	28	821-2035	5	Screw, Self-Locking – Hex Washer Head (M6 x 25mm)
4			Lead (Quantity Used As Required) (Without Markings)	29	508-1109	-	Edging – Bulk (Order By The Foot – 3 Feet Required)
			6" Long Leads	30	319-1961	1	Cover, Control Box (Top)
	226-4404-04	1	375" Stripped Terminal End to .375" Stripped End	31	319-1925	1	Cover, Control Box (Bottom)
			30" Long Leads	32	319-3252-02	1	Brace, Cover
	226-4498-03	1	1/2" Ring Terminal End to 1/2" Ring Terminal End	33	319-3253-02	1	Brace, Circuit Breaker Mounting
				34			Bar, Bus (Sold in Packages of 3 Pieces)
5			Screw, Hex Head (M6 x 16mm)		337-2789	1	All Circuit Breakers Except 320-1907-01 (1 Piece Required)
	821-6002-03	85	All Circuit Breakers Except 320-1907-XX		337-2789	2	Circuit Breaker 320-1907-01 (4 Pieces Required)
	821-6002-03	89	Circuit Breaker 320-1907-XX				
6	300-4480	1	Bar Assembly, Neutral (Includes Parts Marked *)	35	895-0182	-	Stripping, Weather – Bulk (Order by the Foot – 4 Feet Required)
7	332-3303-01	1	* Lug – 6X 600 MCM				
8	332-2744-07	4	* Standoff, Insulator	36	319-3288	2	Brace, Access Door (Horizontal)
9	800-0048	4	* Screw, Cap – Hex Head (3/8-16 x 3/4")	37	800-2063	4	Screw, Cap – Hex Head (M8 x 50mm)
10	526-2120	7	* Washer, Flat (M10)	38	526-2100	4	Washer, Flat (M8)
11	850-2010	11	* Washer, Lock (M10)	39	850-2008	4	Washer, Lock – Spring (M8)
12	800-0052	4	* Screw, Cap – Hex Head (3/8-16 x 1-1/2")	40	332-3303-01	3	Lug – 6X 600 MCM
13	091-0002	1	* Strip, Copper (Used for wrapping ends of leads before securing to Circuit Breakers) (Quantity Used as Required)	41	800-2089	9	Screw, Cap – Hex Head (M8 x 20) – Circuit Breaker 320-1907-01
14	800-2089	3	* Screw, Cap – Hex Head (M10 x 40mm)				* – Parts Included in 300-4480 Neutral Bar Assembly

Circuit Breaker Non-UL Listed



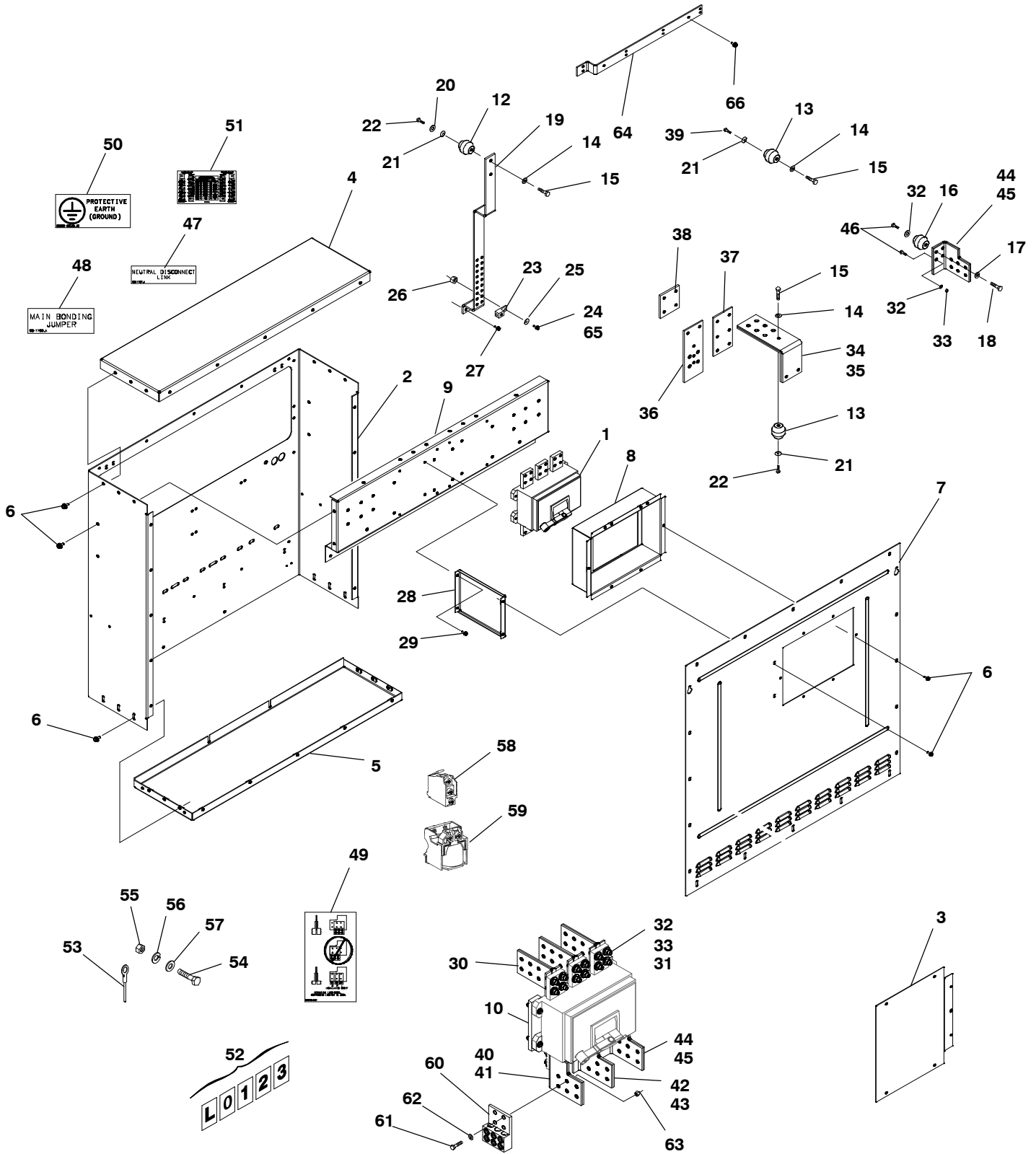
Circuit Breaker Non-UL Listed

REF NO.	PART NO.	QTY USED	PART DESCRIPTION	REF NO.	PART NO.	QTY USED	PART DESCRIPTION
1	319-3184	1	Wrapper, Circuit Breaker	14	800-2089	3	* Screw, Cap – Hex Head (M10 x 40mm)
2			Breaker, Circuit	15	800-2086	1	Screw, Cap – Hex Head (M10 x 25mm)
			Three Pole Breakers	16	850-2010	1	Washer, Lock (M10)
	320-1699-02	1	Standard	17	526-2120	1	Washer, Flat (M10)
			2000 Amp	18	856-0010	1	Washer, EIT
	320-1699-06	1	With Shunt Trip	19	332-2001	1	Lug, CSA Grounding – Solderless
			2000 Amp	20	870-0504	26	Nut, Self-Retaining (M6)
			With Shunt Trip,	21			Brace, Access Door (Vertical)
			Auxiliary Contacts and		319-3286	2	Three Pole Circuit Breakers
			Bell Alarm		319-3286	1	Four Pole Circuit Breakers
	320-1699-10	1	2000 Amp	22	821-6003-02	6	Screw, Hex Head (M8 x 20mm)
			Four Pole Breakers	23			Lug – 6X 600 MCM
			Standard		332-3303-01	3	Three Pole Circuit Breakers
			2000 Amp		332-3303-01	4	Four Pole Circuit Breakers
	320-1699-23	1	With Shunt Trip	24	800-2116	24	Screw, Cap – Hex Head (M12 x 50mm)
			2000 Amp	25	860-2010	24	Nut, Hex (M12)
			With Shunt Trip,	26	850-2012	24	Washer, Lock – Spring (M12)
			Auxiliary Contacts and	27	526-2140	48	Washer, Flat (M12)
			Bell Alarm	28	319-3153	1	Bracket, Mounting
			2000 Amp	29	821-2035	5	Screw, Self-Locking – Hex Washer Head (M6 x 25mm)
	320-1699-31	1	Cover, Circuit Breaker Box	30	508-1109	-	Edging – Bulk (Order By The Foot – 3 Feet Required)
3	319-3266-01	1	Three Pole Circuit Breakers	31	319-1961	1	Cover, Control Box (Top)
	319-3266-02	1	Four Pole Circuit Breakers	32	319-1925	1	Cover, Control Box (Bottom)
4			Lead (Quantity Used As Required) (Without Markings)	33	319-3252-02	1	Brace, Cover
			6" Long Leads	34	319-3253-02	1	Brace, Circuit Breaker Mounting
	226-4404-04	1	375" Stripped Terminal End to .375" Stripped End	35	337-2789	1	Bar, Bus (Sold in Packages of 3 Pieces – 1 Piece Required)
			30" Long Leads	36			Stripping, Weather – Bulk (Order by the Foot)
	226-4498-03	1	1/2" Ring Terminal End to 1/2" Ring Terminal End		895-0182	-	Three Pole Circuit Breakers (4 Feet Required)
5			Screw, Hex Head (M6 x 16mm)		895-0182	-	Four Pole Circuit Breakers (6 Feet Required)
	821-6002-03	89	Three Pole Circuit Breakers	37	319-3288	2	Brace, Access Door (Horizontal)
	821-6002-03	81	Four Pole Circuit Breakers	38	800-2063	4	Screw, Cap – Hex Head (M8 x 50mm)
6	300-4480	1	Bar Assembly, Neutral – Three Pole Circuit Breakers (Includes Parts Marked *)	39	526-2100	4	Washer, Flat (M8)
7	332-3303-01	1	* Lug – 6X 600 MCM	40	850-2008	4	Washer, Lock – Spring (M8)
8	332-2744-07	4	* Standoff, Insulator				
9	800-0048	4	* Screw, Cap – Hex Head (3/8-16 x 3/4")				
10	526-2120	7	* Washer, Flat (M10)				
11	850-2010	11	* Washer, Lock (M10)				
12	800-0052	4	* Screw, Cap – Hex Head (3/8-16 x 1-1/2")				
13	091-0002	1	* Strip, Copper (Used for wrapping ends of leads before securing to Circuit Breakers) (Quantity Used as Required)				

* – Parts Included in 300-4480 Neutral Bar Assembly

Circuit Breaker R-Frame

DFLB Begin Spec T, DFLB Begin Spec W, DFLE Begin Spec E

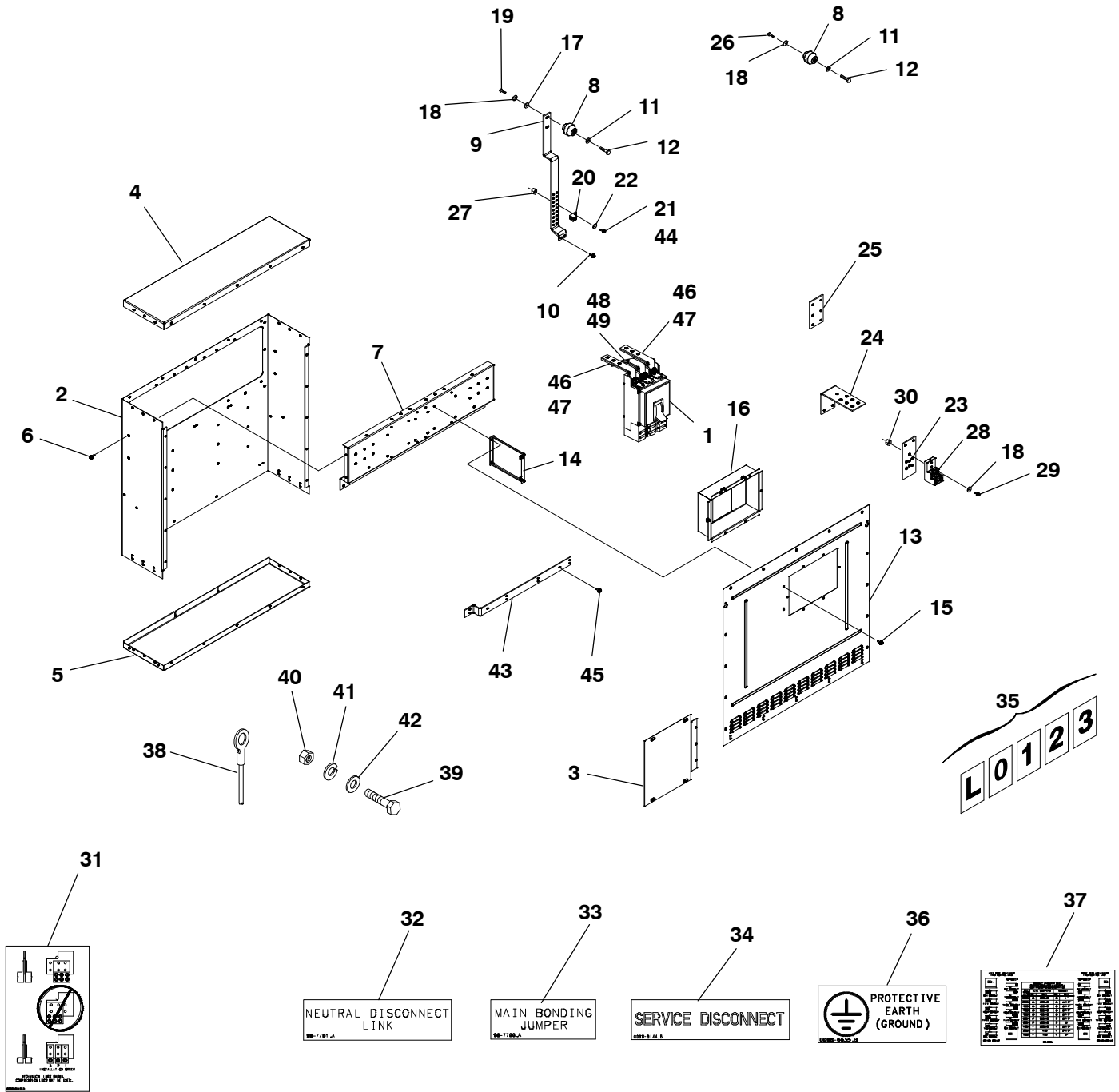


**Circuit Breaker
R-Frame
DFLB Begin Spec T, DFLB Begin Spec W, DFLE Begin Spec E**

REF NO.	PART NO.	QTY USED	PART DESCRIPTION	REF NO.	PART NO.	QTY USED	PART DESCRIPTION
1			Breaker, Circuit – 3 Pole (UL & IEC)	40			Bus, Bar – Breaker
	320-2164-03	1	1600 Amp		337-3620-02	2	Left Side Insulation
	320-2164-02	1	2000 Amp		337-3620-02	1	Right Side Insulation
	320-2164-01	1	2500 Amp	41			Bus, Bar – Breaker
2	319-5161-02	1	Box, Circuit Breaker		337-3621-02	2	Left Side Insulation
3	319-5084-02	1	Panel, Terminal		337-3621-02	1	Right Side Insulation
4	319-5171-02	1	Cover, Circuit Breaker – Top	42	337-3619-01	1	Bus, Bar – Breaker
5	319-5088-02	1	Cover, Circuit Breaker – Bottom	43	337-3619-02	1	Bus, Bar – Breaker
6	821-6003-02	54	Screw, Hex Head (M8 x 1.25 x 20)	44			Bus, Bar – Breaker
7			Cover, Circuit Breaker		337-3620-01	1	Left Side Insulation
	319-5176-04	1	Left Side Installation		337-3620-01	2	Right Side Insulation
	319-5176-05	1	Right Side Installation	45			Bus, Bar – Breaker
8	319-5078-04	1	Cup, Switch		337-3621-01	1	Left Side Insulation
9	319-5177-02	1	Bracket, Circuit Breaker		337-3621-01	2	Right Side Insulation
10	232-4131	2	Spacer, Mounting Foot	46	800-0093	4	Screw, Cap – Hex Head (1/2-13 x 1.75)
11	098-8144	1	Label, Information – Service Disconnect	47	098-7701	1	Label, Neutral Disconnect
12	332-2744-07	2	Standoff, Insulator	48	098-7700	1	Label, Bonding – Jumper
13	332-2512	5	Standoff, Insulator	49	098-8149	1	Label, Information – Lug Installation
14	850-0050	7	Washer, Lock – Split (3/8)	50	098-6635	1	Label, Ground
15	800-0048	7	Screw, Cap – Hex Head (3/8-16 x .75)	51	098-6865	1	Label, Conduit Location
16	332-2743-07	1	Standoff, Insulator	52			Label, Marker (10 Characters Per Card) (Quantity Used As Required)
17	850-0060	1	Washer, Lock – Split (1/2)		098-5854-06	4	Marked “L”
18	800-0090	1	Screw, Cap – Hex Head (1/2-13 x 1.00)		098-5854-07	1	Marked “1”
19	337-3626	1	Bus, Bar – Ground		098-5854-08	1	Marked “2”
20	526-0423	2	Washer, Flat		098-5854-09	1	Marked “3”
21	851-0048-02	7	Washer, Belleville (3/8)		098-5854-10	1	Marked “0”
22	800-0050	3	Screw, Cap – Hex Head (3/8-16 x 1”)	53			Lead (Quantity Used As Required)
23	332-3039	7	Lug, Solderless		226-4894-01	1	34”
24	800-0028	5	Screw, Cap – Hex Head (5/16-18 x 1”)		226-4894-02	1	18”
25	851-0048-01	7	Washer, Belleville (5/16)	54	800-2114	30	Screw, Cap – Hex Head (M12 x 1.75 x 40)
26	862-0015	7	Nut, Hex (5/16)	55	860-2010	30	Nut, Hex (M12)
27	815-0261	2	Screw, Hex Washer Head – Thread Forming (1/4-20 x .50)	56	850-2012	30	Washer, Lock – Split (M12)
28	319-5102-03	1	Stiffener, Cover	57	526-2140	30	Washer, Flat (M12)
29	821-6002-04	10	Screw, Hex Head (M6 x 1 x 20)	58	320-2196-01	2	Accessories, Circuit Breaker: Switch – Used as a Trip Alarm or Auxiliary Contact
30	337-3618	6	Bus, Bar – Breaker	59	320-2196-02	1	24 Volt Shunt Trip
31	800-0094	24	Screw, Cap – Hex Head (1/2-13 x 2)	60	332-3949	8	Lug, Cable – Solderless
32	851-0048-03	28	Washer, Belleville (1/2)	61	800-0054	16	Screw, Cap – Hex Head (3/8-16 x 2.00)
33	862-0005	27	Nut, Hex (1/2)	62	851-0022	16	Washer, Spring (3/8)
34	337-3623	1	Bus, Bar – Neutral	63	862-0003	16	Nut, Hex (3/8)
35	337-3624	1	Bus, Bar – Neutral	64	337-3736	1	Bus, Bar – Ground
36	337-3631	2	Bus, Bar – Neutral	65	800-0030	2	Screw, Cap – Hex Head (5/16-18 x 1-1/4)
37	337-3625	1	Bus, Bar – Jumper	66	800-2063	2	Screw, Cap – Hex Head (M8 x 50)
38	337-3627	1	Bus, Bar – Neutral				
39	800-0052	4	Screw, Cap – Hex Head (3/8-16 x 1.5)				

Circuit Breaker P-Frame

DFLB Begin Spec T, DFLE Begin Spec W, DFLE Begin Spec E

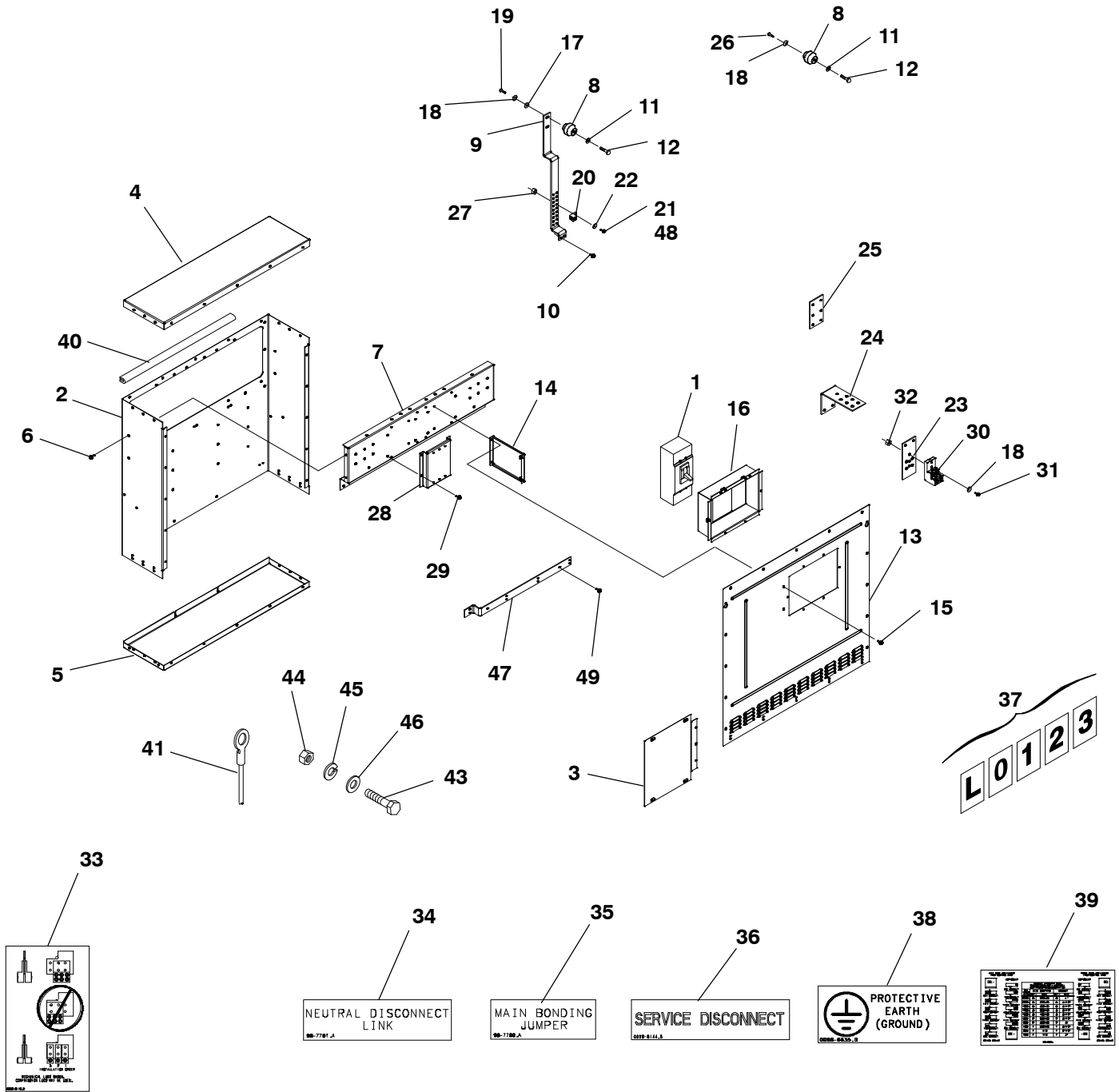


**Circuit Breaker
P-Frame
DFLB Begin Spec T, DFLE Begin Spec W, DFLE Begin Spec E**

REF NO.	PART NO.	QTY USED	PART DESCRIPTION	REF NO.	PART NO.	QTY USED	PART DESCRIPTION
1			Breaker, Circuit – P-Frame – 3 Pole (UL & IEC)	28	332-1557	1	Lug
	320-2182-01	1	800 Amp	29	800-0053	2	Screw, Cap – Hex Head (3/8-16 x 1.75)
	320-2183-01	1	1200 Amp	30	862-0003	2	Nut, Hex (3/8-16)
2	319-5161-02	1	Box, Circuit Breaker	31	098-8149	1	Label, Information – Lug Installation
3	319-5084-02	1	Panel, Terminal				
4	319-5171-02	1	Cover, Circuit Breaker – Top				
5	319-5088-02	1	Cover, Circuit Breaker – Bottom	32	098-7701	1	Label, Neutral Disconnect
6	821-6003-02	54	Screw, Hex Head (M8 x 1.25 x 20)	33	098-7700	1	Label, Bonding – Jumper
				34	098-8144	1	Label, Information – Service Disconnect
7	319-5179-02	1	Bracket, Circuit Breaker				
8	332-2512	8	Standoff, Insulator	35			Label, Marker (10 Characters Per Card) (Quantity Used As Required)
9	337-3632	1	Bus, Bar – Ground				
10	815-0261	2	Screw, Hex Washer Head – Thread Forming (1/4-20 x .50)		098-5854-06	4	Marked “L”
					098-5854-07	1	Marked “1”
11	850-0050	8	Washer, Lock – Split (3/8)		098-5854-08	1	Marked “2”
12	800-0048	8	Screw, Cap – Hex Head (3/8-16 x .75)		098-5854-09	1	Marked “3”
					098-5854-10	1	Marked “0”
13			Cover, Circuit Breaker	36	098-6635	1	Label, Ground
	319-5176-04	1	Left Side Installation	37	098-6865	1	Label, Conduit Location
	319-5176-05	1	Right Side Installation	38			Lead
14	319-5102-04	1	Stiffener, Cover		226-4894-01 A/R		Left Side Installation
15	821-6002-03	10	Screw, Hex Head (M6 x 1 x 16)		226-4894-02 A/R		Right Side Installation
16	319-5078-06	1	Cup, Switch	39	800-2114	24	Screw, Cap – Hex Head (M12 x 1.75 x 40)
17	526-0423	2	Washer, Flat				
18	851-0048-02	10	Washer, Belleville (M10)	40	860-2010	24	Nut, Hex (M12)
19	800-0050	6	Screw, Cap – Hex Head (3/8-16 x 1”)	41	850-2012	24	Washer, Lock – Split (M12)
				42	526-2140	24	Washer, Flat (M12)
20	332-3039	5	Lug, Solderless	43	337-3736	1	Bus, Bar – Ground
21	800-0028	3	Screw, Cap – Hex Head (5/16-18 x 1”)	44	800-0030	2	Screw, Cap – Hex Head (5/16-18 x 1-1/4)
22	851-0048-01	5	Washer, Belleville (M8)	45	800-2063	2	Screw, Cap – Hex Head (M8 x 50)
23	337-3631	1	Bus, Bar – Neutral				
24	337-3623	1	Bus, Bar – Neutral	46	337-3629-01	2	Bus, Bar – Breaker
25	337-3625	1	Bus, Bar – Jumper	47	337-3629-02	2	Bus, Bar – Breaker
26	800-0049	2	Screw, Cap – Hex Head (3/8-16 x .88)	48	337-3628-01	1	Bus, Bar – Breaker
27	862-0015	5	Nut, Hex (5/16)	49	337-3628-02	1	Bus, Bar – Breaker

Circuit Breaker NSJ

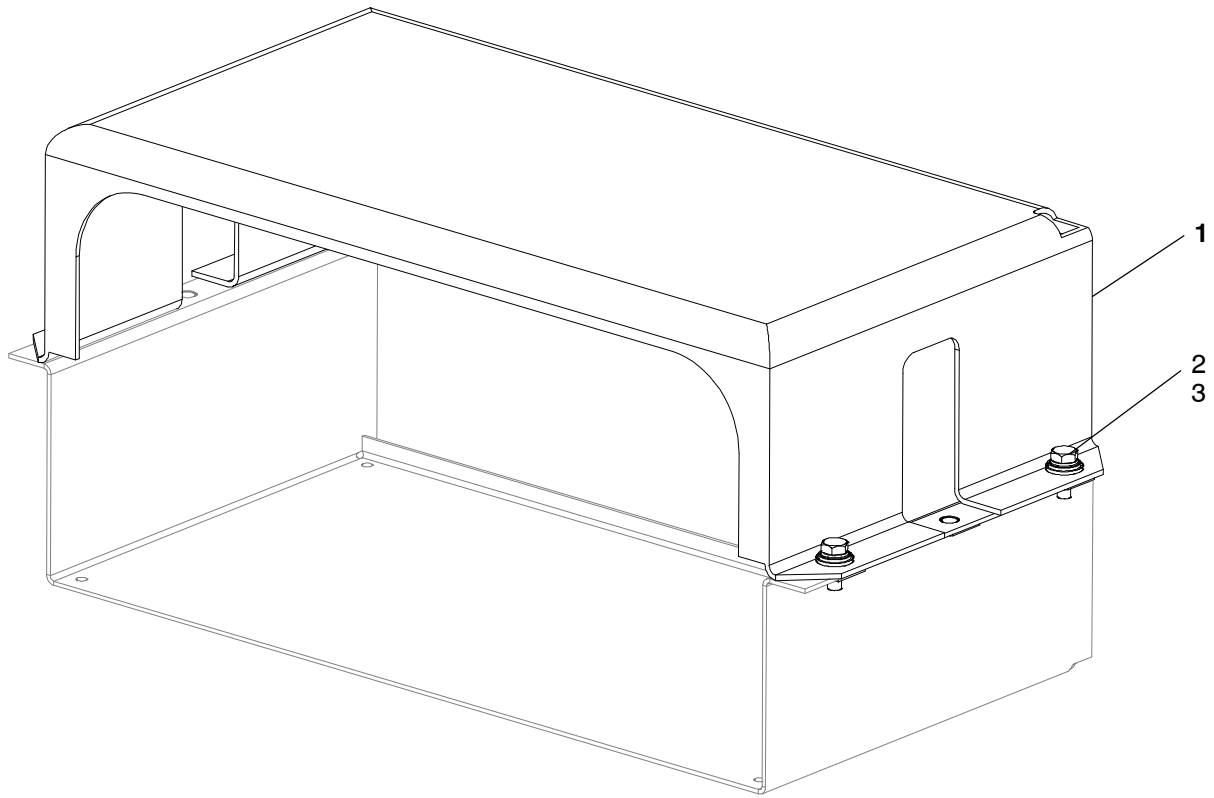
DFLB Begin Spec T, DFLE Begin Spec W, DFLE Begin Spec E



**Circuit Breaker
NSJ
DFLB Begin Spec T, DFLE Begin Spec W, DFLE Begin Spec E**

REF NO.	PART NO.	QTY USED	PART DESCRIPTION	REF NO.	PART NO.	QTY USED	PART DESCRIPTION
1	320-1960-01	1	Breaker, Circuit – NSJ – 3 Pole (UL & IEC) (Includes Mounting Hardware)	30	332-1557	1	Lug
				31	800-0053	2	Screw, Cap – Hex Head (3/8-16 x 1.75)
2	319-5161-02	1	Box, Circuit Breaker	32	862-0003	2	Nut, Hex (3/8-16)
3	319-5084-02	1	Panel, Terminal	33	098-8149	1	Label, Information – Lug Installation
4	319-5171-02	1	Cover, Circuit Breaker – Top				Label, Neutral Disconnect
5	319-5088-02	1	Cover, Circuit Breaker – Bottom	34	098-7701	1	Label, Bonding – Jumper
6	821-6003-02	54	Screw, Hex Head (M8 x 1.25 x 20)	35	098-7700	1	Label, Information – Service Disconnect
7	319-5179-02	1	Bracket, Circuit Breaker				Label, Marker (10 Characters Per Card) (Quantity Used As Required)
8	332-2512	8	Standoff, Insulator	37			
9	337-3632	1	Bus, Bar – Ground				
10	815-0261	2	Screw, Hex Washer Head – Thread Forming (1/4-20 x .50)		098-5854-06	4	Marked “L”
					098-5854-07	1	Marked “1”
11	850-0050	8	Washer, Lock – Split (3/8)		098-5854-08	1	Marked “2”
12	800-0048	8	Screw, Cap – Hex Head (3/8-16 x .75)		098-5854-09	1	Marked “3”
					098-5854-10	1	Marked “0”
13			Cover, Circuit Breaker	38	098-6635	1	Label, Ground
	319-5176-04	1	Left Side Installation	39	098-6865	1	Label, Conduit Location
	319-5176-05	1	Right Side Installation	40	508-1109	-	Edging – Bulk (Order by the Foot – 3 Feet Required)
14	319-5102-04	1	Stiffener, Cover				Lead
15	821-6002-03	10	Screw, Hex Head (M6 x 1 x 16)	41			Left Side Installation
16	319-5078-06	1	Cup, Switch				Ring Type
17	526-0423	2	Washer, Flat		226-4894-01	3	Strip Type
18	851-0048-02	10	Washer, Belleville (M10)		226-4894-03	9	Right Side Installation
19	800-0050	6	Screw, Cap – Hex Head (3/8-16 x 1”)		226-4894-02	3	Ring Type
20	332-3039	3	Lug, Solderless		226-4894-04	9	Strip Type
21	800-0028	1	Screw, Cap – Hex Head (5/16-18 x 1”)	42	091-0002	-	Strip, Copper (Quantity Used As Required) (Not Illustrated)
22	851-0048-01	3	Washer, Belleville (M8)	43	800-2114	5	Screw, Cap – Hex Head (M12 x 1.75 x 40)
23	337-3631	1	Bus, Bar – Neutral				Nut, Hex (M12)
24	337-3623	1	Bus, Bar – Neutral	44	860-2010	5	Washer, Lock – Split (M12)
25	337-3625	1	Bus, Bar – Jumper	45	850-2012	5	Washer, Flat (M12)
26	800-0049	2	Screw, Cap – Hex Head (3/8-16 x .88)	46	526-2140	10	Bus, Bar – Ground
				47	337-3736	1	Screw, Cap – Hex Head (5/16-18 x 1-1/4)
27	862-0015	3	Nut, Hex (5/16)	48	800-0030	2	Screw, Cap – Hex Head (M8 x 1.25 x 16)
28	319-5128-02	1	Bracket, Circuit Breaker	49	800-2063	2	Screw, Cap – Hex Head (M8 x 50)
29	821-6003-01	4	Screw, Hex Head (M8 x 1.25 x 16)				

Battery Cover



REF NO.	PART NO.	QTY USED	PART DESCRIPTION
1	416-1068	1	Cover, Battery Tray
2	526-0399-42	4	Washer, Flat

REF NO.	PART NO.	QTY USED	PART DESCRIPTION
3	821-5004-02	4	Screw, Hex Head (3/8-16 x .75)

Numerical Index

<u>Part No.</u>	<u>Page</u>	<u>Part No.</u>	<u>Page</u>	<u>Part No.</u>	<u>Page</u>	<u>Part No.</u>	<u>Page</u>
091-0002,	105 , 107 , 113	130-3592-02,	33	130-3774,	33	130-4519-03,	29
098-5854-06,	109 , 111 , 113	130-3616,	45	130-3776,	45	130-4538,	29
098-5854-07,	109 , 111 , 113	130-3639,	45	130-3777,	47 , 49	130-4546,	29
098-5854-08,	109 , 111 , 113	130-3642,	45	130-3779,	45	130-4552,	31
098-5854-09,	109 , 111 , 113	130-3644,	45	130-3780,	47 , 49	130-4761,	65 , 66
098-5854-10,	109 , 111 , 113	130-3647-01,	45	130-3812,	64	130-4762,	65
098-6195,	87	130-3647-02,	45	130-3826,	45 , 49 , 51	130-4849,	51
098-6635,	75 , 109 , 111 , 113	130-3648,	47 , 49	130-3827,	45	130-4850,	51
098-6650-01,	74	130-3649,	45	130-3868,	71	130-4851,	51
098-6865,	109 , 111 , 113	130-3651,	45	130-3869,	71	130-4852,	51
098-6984,	91	130-3652,	64	130-3870,	71	130-4853,	51
098-7281,	82	130-3653,	65 , 66	130-4152-01,	47 , 49	130-4858,	51 , 57
098-7301,	23	130-3654,	64	130-4152-02,	45	130-4859,	51 , 57
098-7700,	109 , 111 , 113	130-3657,	64	130-4153,	65 , 66	130-4860,	45 , 47 , 49 , 51 , 53
098-7701,	109 , 111 , 113	130-3660,	47 , 49 , 51 , 53 , 64 , 65 , 66	130-4154,	65 , 66	130-4862,	51 , 53
098-7904,	91	130-3662,	45	130-4155,	45 , 49	130-4868,	51 , 53
098-7918,	91	130-3663,	45	130-4188,	49 , 51 , 53	130-4915,	51
098-7961-01,	91	130-3668,	64 , 65 , 66	130-4191,	47 , 49 , 51 , 53	130-5013,	51 , 57
098-7989,	91	130-3672,	45	130-4215,	45	130-5108,	49
098-8057,	91	130-3675,	45	130-4216,	45	130-5109,	47
098-8144,	109 , 111 , 113	130-3676,	45	130-4219,	47 , 49 , 51 , 57	130-5109-01,	47
098-8149,	109 , 111 , 113	130-3677,	45	130-4287,	66	130-5191-02,	49
098-8184,	95	130-3679,	39	130-4289,	65 , 66	130-5192-02,	49
102-1335,	11 , 13	130-3680,	39	130-4290,	49 , 51	130-5194-02,	47 , 49
121-0111,	23	130-3684,	40	130-4291,	49 , 51	130-5195-02,	49
121-0113,	23	130-3686,	39	130-4292,	49 , 51	130-5198-02,	47
121-0116,	23	130-3687,	40	130-4293,	47 , 49 , 51 , 53	130-5199-02,	47
121-0117,	23	130-3713,	33 , 37 , 43	130-4294,	47 , 49 , 51 , 53	130-5200-02,	47
122-0776,	42	130-3714-01,	33 , 37 , 43	130-4295,	47 , 49 , 51 , 53	130-5202-02,	47
122-0777,	42	130-3714-02,	33 , 43	130-4296,	47 , 49 , 51 , 53	130-5210,	65 , 66
127-0390-01,	68	130-3715,	33 , 37 , 43	130-4297-01,	47 , 49 , 51 , 53	130-5254-02,	71
127-0395,	68	130-3728,	63	130-4297-02,	47 , 49 , 51 , 53	130-5308-02,	37
127-0422,	68	130-3757,	65 , 66	130-4299-01,	47 , 49 , 51 , 53	130-5401-02,	37
128-0108,	29	130-3764,	33	130-4299-02,	47 , 49 , 51 , 53	130-5402-02,	37
130-0449,	33	130-3765,	33	130-4301,	47 , 49 , 51 , 53	130-5403-02,	37
130-2981,	51	130-3766,	33	130-4362,	47 , 49	130-5404-02,	37
130-3588,	45 , 47 , 49	130-3767,	33	130-4389,	67	130-5405-02,	37
130-3592-01,	33	130-3769,	33	130-4517,	38	130-5406-02,	37
		130-3770,	33			130-5407-02,	37
		130-3772,	33			130-5408-02,	37
		130-3773,	33			130-5588-02,	29

Numerical Index

<u>Part No.</u>	<u>Page</u>	<u>Part No.</u>	<u>Page</u>	<u>Part No.</u>	<u>Page</u>	<u>Part No.</u>	<u>Page</u>
130-5589-02,	29	130-7478,	61	140-3230,	21	193-0468,	34
130-5590-02,	29	130-7479,	61	149-2287,	73	193-0529-01,	13
130-5591-02,	29	130-7480,	61	149-2291-02,	24	193-0540,	24
130-5791,	58	130-7481,	61	150-2213,	72	200-3051-07,	84
130-5791-43,	58	130-7482,	61	151-0411,	11 , 13 , 72 , 73	200-3052-07,	84
130-5891,	53	130-7483,	61	151-0637-01,	72	200-3053-07,	84
130-5891-21,	53	130-7484,	61	151-0663-02,	73	200-3054-01,	84
130-5901-02,	58	130-7485,	61	155-0899,	33 , 35	200-3054-02,	84
130-5903-02,	58	130-7499,	62	155-2503,	33	200-3054-05,	84
130-5905-02,	58	130-7500,	62	155-2514,	33 , 35	200-3055-01,	84
130-5906-02,	51	130-7501,	62	155-2514-03,	37	200-3055-02,	84
130-5907-02,	51	130-7502,	62	155-2514-04,	37	200-3055-05,	84
130-5908-02,	57	130-7503,	62	155-2531-02,	94	200-3128-01,	84
130-5909-02,	57	130-7504,	62	155-2531-03,	94	200-3128-02,	84
130-5910-02,	57	130-7505,	62	155-2531-05,	94	200-3128-03,	84
130-5911-02,	57	130-7506,	62	155-2531-06,	94	200-3128-04,	84
130-5912-02,	57	130-7507,	62	155-3021,	29	200-3128-05,	84
130-5917-02,	53	133-0226,	29	155-3461,	37	200-3128-06,	84
130-5918-02,	53	140-0519,	38	155-4137,	57	200-3128-07,	84
130-5980-02,	57	140-1260,	14 , 15 , 16 , 19 , 21	159-1445,	23	200-3128-08,	84
130-7356,	55	140-1260-01,	24	159-1448,	23	200-3128-09,	84
130-7357,	55	140-1548,	14 , 15 , 16 , 19 , 21	159-1450,	23	200-3128-10,	84
130-7405,	55	140-2096,	19 , 21	159-1451,	23	200-3128-11,	84
130-7406,	55	140-2097,	19	191-1984,	69 , 71	200-3128-12,	84
130-7407,	55 , 61	140-2098,	19 , 21	191-1989-07,	69 , 71	200-3128-19,	84
130-7408,	55	140-2099,	19 , 21	191-1990,	69 , 71	200-3128-20,	85
130-7409,	55	140-2395,	21	191-2017,	69 , 71	200-3128-21,	85
130-7410,	55	140-2467,	19 , 21	191-2021-01,	69 , 71	200-3128-22,	85
130-7411,	55	140-2501,	14 , 15	191-2023,	69 , 71	200-3128-25,	85
130-7464,	61	140-2502,	14 , 15 , 16	191-2110,	69 , 71	200-3128-26,	85
130-7465,	61	140-2503,	15 , 16 , 21	191-2326-02,	69 , 71	200-3128-27,	85
130-7466,	61	140-2504-01,	15 , 16 , 21	191-2330,	69 , 71	200-3128-28,	85
130-7468,	61	140-2504-02,	15 , 16 , 21	191-2452,	62	226-4404-04,	105 , 107
130-7470,	61	140-2508,	15 , 16	191-2453,	62	226-4498-03,	105 , 107
130-7471,	61	140-2509,	21	191-2454,	62	226-4894-01,	109 , 111 , 113
130-7472,	61	140-2515,	14 , 19	191-2455,	62	226-4894-02,	109 , 111 , 113
130-7473,	61	140-2519,	14 , 15 , 16 , 19	193-0029,	24	226-4894-03,	113
130-7474,	61	140-2521,	14 , 19	193-0432,	11	226-4894-04,	113
130-7475,	61	140-2528,	15 , 16 , 21	193-0446-01,	94	232-3551,	83
130-7476,	61	140-3163,	16	193-0446-02,	94	232-3552-01,	83
130-7477,	61			193-0446-03,	94		

Numerical Index

<u>Part No.</u>	<u>Page</u>	<u>Part No.</u>	<u>Page</u>	<u>Part No.</u>	<u>Page</u>	<u>Part No.</u>	<u>Page</u>
232-3552-02, 83		309-0269, 11		319-3281-02, 77 , 79		319-5489-02, 81	
232-3849, 82		309-0607, 35		319-3283-01, 77 , 79		319-6731, 55	
232-3941-01, 83		309-0612, 39		319-3283-02, 77 , 79		320-1699-02, 107	
232-3941-02, 83		309-0613, 39		319-3286, 74 , 105 , 107		320-1699-06, 107	
232-3941-03, 83		309-0635-02, 33 , 37 , 43 , 45 , 47 , 49 , 51 , 57		319-3288, 74 , 105 , 107		320-1699-10, 107	
232-3941-04, 83				319-3297, 101		320-1699-23, 107	
232-4131, 109		309-0649, 29		319-4487, 91		320-1699-27, 107	
249-5095-05, 85		309-0676, 25		319-4488, 91		320-1699-31, 107	
249-5095-06, 85		319-0030, 93		319-4497, 91		320-1783-02, 105	
300-3998-01, 92		319-0881, 77 , 79		319-4787-02, 31		320-1783-03, 105	
300-4480, 105 , 107		319-1091, 77		319-5078-04, 109		320-1783-06, 105	
300-5180, 91		319-1092, 79		319-5078-06, 111 , 113		320-1783-07, 105	
300-5381, 91		319-1093, 77 , 79		319-5081-02, 81		320-1783-10, 105	
300-5383, 91		319-1095, 77 , 79		319-5082-02, 81		320-1783-11, 105	
300-5446, 91		319-1203-01, 77 , 79		319-5083-02, 81		320-1783-19, 105	
300-5447, 91		319-1265, 101		319-5084-02, 75 , 109 , 111 , 113		320-1783-20, 105	
300-5467, 91		319-1925, 74 , 105 , 107		319-5085-02, 81		320-1907-01, 105	
301-6987, 93		319-1961, 74 , 105 , 107		319-5088-02, 75 , 109 , 111 , 113		320-1907-02, 105	
302-1874, 95		319-2006-01, 99		319-5097-02, 81		320-1960-01, 113	
302-1945-05, 101		319-2006-02, 99		319-5102-03, 109		320-2164-01, 109	
302-1945-06, 101		319-2006-05, 97		319-5102-04, 75 , 111 , 113		320-2164-02, 109	
302-2057-40, 100		319-2236, 11 , 13		319-5128-02, 113		320-2164-03, 109	
302-2058-11, 100		319-2767, 77 , 79		319-5161-02, 75 , 109 , 111 , 113		320-2182-01, 111	
302-2058-13, 100		319-3153, 105 , 107		319-5162-02, 75		320-2183-01, 111	
302-2058-16, 100		319-3184, 74 , 105 , 107		319-5171-02, 75 , 109 , 111 , 113		320-2196-01, 109	
302-2060-06, 101		319-3252-02, 105 , 107		319-5176-04, 109 , 111 , 113		320-2196-02, 109	
302-2060-07, 101		319-3253-02, 105 , 107		319-5176-05, 109 , 111 , 113		321-0307-07, 99	
302-2073-02, 95		319-3260, 77		319-5176-06, 75		321-0371, 97 , 99	
305-0901, 26		319-3261, 79		319-5177-02, 109		321-0372-01, 97 , 99	
307-2621-02, 11 , 13		319-3262, 77		319-5179-02, 75 , 111 , 113		322-0431-08, 26	
307-2711, 33		319-3263, 77 , 79		319-5181-02, 81		322-0488, 91	
307-2817-01, 31		319-3264, 74		319-5182-02, 81		322-0491, 91	
307-2817-02, 97		319-3265, 74		319-5183-02, 81		323-1410-03, 26	
307-2843, 93		319-3266-01, 105 , 107		319-5189-02, 95		323-1444, 99	
307-2859, 31		319-3266-02, 107		319-5190-02, 81		323-1445, 31 , 99	
307-2874, 89		319-3267, 77		319-5217-02, 75		323-1491, 31 , 99	
308-0068, 95		319-3268, 79				323-1492, 31 , 97 , 99	
308-0999, 91		319-3269, 77 , 79				323-1493, 97 , 99	
308-1045, 102		319-3270-03, 77				323-1494, 31	
308-1046, 102		319-3270-04, 79				323-1500, 31	
308-1085, 91 , 102		319-3277, 81				323-1502, 31	
		319-3281-01, 77 , 79					

Numerical Index

<u>Part No.</u>	<u>Page</u>	<u>Part No.</u>	<u>Page</u>	<u>Part No.</u>	<u>Page</u>	<u>Part No.</u>	<u>Page</u>
323-1503,	97 , 99	332-2420,	87 , 91 , 93	337-3621-02,	109	403-3205,	67
323-1504,	31	332-2512,	109 , 111 , 113	337-3623,	109 , 111 , 113	403-3206,	67
323-1523,	96	332-2634,	11 , 13 , 29 , 81	337-3624,	109	403-3277,	45
323-1525,	97	332-2743-07,	109	337-3625,	109 , 111 , 113	403-3278,	45
323-1540,	99	332-2744-07,	105 , 107 , 109	337-3626,	109	403-4780,	67
323-1580,	99	332-2878,	89	337-3627,	109	403-5046-02,	67
323-1581,	99	332-3008,	45 , 47 , 49 , 51 , 57	337-3628-01,	111	405-7245-02,	77 , 79
323-1605-02,	99	332-3023,	82	337-3628-02,	111	405-7246-02,	88
323-1605-03,	99	332-3024-14,	82	337-3629-01,	111	405-7247-02,	77 , 79
323-1614-01,	99	332-3039,	109 , 111 , 113	337-3629-02,	111	405-7248-02,	88
323-1615,	99	332-3096-01,	99	337-3631,	109 , 111 , 113	406-0845,	91
323-1623,	99	332-3178-01,	101	337-3632,	111 , 113	416-0446,	13
323-1624,	99	332-3196,	83	337-3736,	109 , 111 , 113	416-0639,	11 , 13
323-1637,	99	332-3303-01,	105 , 107	338-2538,	73	416-0680,	11 , 13
323-1643-01,	99	332-3440,	31	338-2592-02,	99	416-0850,	67
323-1648,	99	332-3740,	77 , 79	338-2592-03,	97	416-0964,	13
323-1652,	31	332-3792-01,	97	338-3034,	26	416-1019,	11 , 13
323-1666,	97 , 99	332-3842,	89	338-3285,	99	416-1021-03,	97 , 99
323-1667,	97 , 99	332-3896,	91	338-3991,	91	416-1068,	114
323-1708,	97 , 99	332-3949,	109	338-3994,	91	416-1084,	11 , 13
323-1718,	31	333-0407-02,	41	338-4027,	25	416-1092,	11
323-1755,	97	333-0407-04,	41	338-4105-08,	31	416-1096,	11
323-1765,	97 , 99	333-0407-05,	41	338-4105-09,	31	501-0537-46,	73
323-2003-01,	92 , 93	333-0438-05,	82	338-4186,	96	501-0537-49,	42
323-2003-02,	87	333-0438-06,	82	338-4209,	89	501-0651,	23
327-1275,	91	333-0661-01,	87	338-4232,	97	501-0653,	23
330-0141-03,	82	333-0661-02,	87	338-4245,	93	501-0654,	23
330-0141-04,	82	333-0677-01,	29	338-4246,	93	501-0704,	23
330-0142,	82	333-0677-02,	29	338-4276,	31	501-0707,	23
331-0042,	31	335-0173,	87	338-4321,	99	501-0744-01,	29
331-0555,	31	335-0173-01,	87	357-0030,	31	501-0744-02,	47 , 49 , 51 , 57
332-0604,	97 , 99	335-0189,	91	402-0354,	93 , 95	501-0744-04,	45
332-0699,	73	337-0049,	91	402-0610,	11 , 13	502-0034,	24
332-0970,	73	337-2789,	105 , 107	402-0612,	64 , 65 , 66	502-0067,	24
332-1043,	97 , 99	337-3618,	109	402-0729,	77 , 79	502-0827,	29
332-1389,	33 , 63 , 82	337-3619-01,	109	402-0764-01,	91	502-1043-12,	42
332-1445,	87 , 91	337-3619-02,	109	403-2733-01,	33 , 45 , 47 , 49 , 51 , 53 , 58	502-1045-04,	73
332-1468,	31	337-3620-01,	109	403-2733-02,	33 , 45 , 47 , 49 , 51 , 53	502-1054-08,	68
332-1469,	31	337-3620-02,	109	403-2921,	83	502-1072-14,	42
332-1557,	111 , 113	337-3621-01,	109	403-3204,	67	502-1072-30,	42
332-2001,	74 , 75 , 105 , 107					502-1162,	33 , 37 , 43

Numerical Index

<u>Part No.</u>	<u>Page</u>	<u>Part No.</u>	<u>Page</u>	<u>Part No.</u>	<u>Page</u>	<u>Part No.</u>	<u>Page</u>
502-1266-01, 23		503-1870-14, 14 , 15 , 16 , 19 , 21		505-0601, 37		517-0357, 91	
502-1266-02, 23		503-1871-04, 19 , 21		505-1428, 42		518-0064, 63	
502-1267, 23		503-1872-02, 33 , 45 , 47 , 49 , 51 , 57		505-1429, 33		518-0548-08, 14 , 33	
502-1268, 23		503-1872-04, 37 , 51 , 57		505-1435, 63		518-0548-29, 23	
502-1269, 23		503-1872-05, 33 , 37 , 45 , 47 , 49 , 51 , 57		505-1436, 63		518-0548-42, 81	
502-1270, 23		503-1872-09, 47 , 49 , 51 , 57		505-1440, 35		518-0601, 8	
502-1271, 23		503-1872-10, 33 , 38 , 45		505-1441, 33		518-0633, 23 , 45 , 47 , 49 , 51 , 53	
502-1302, 24		503-2157-02, 29		505-1442, 33		520-0544, 29	
502-1307, 73		503-2758, 55		505-1549, 37		525-0304, 8	
502-1308, 73		503-2760, 55		505-1576-02, 29		525-0305, 8	
502-1336, 29		503-2823, 13		505-2031, 29		525-0306, 8	
503-0189, 11 , 13		503-2907, 61		505-2037, 29		525-0551-02, 8	
503-0249, 11 , 13		503-3062-01, 29		505-2374, 55		525-0551-03, 8	
503-0685, 33 , 37 , 43		504-0028, 11 , 13 , 33		505-2375, 55		525-0551-04, 8	
503-0970, 14 , 19		504-0064, 24		505-2376, 55 , 61		526-0008, 101	
503-1379-01, 51 , 57		504-0171, 11 , 13 , 37		505-2377, 55		526-0015, 38	
503-1418, 33		504-0175, 33		508-0228, 82		526-0022, 101	
503-1484, 15 , 16 , 21		504-0207, 37		508-0292, 11 , 13		526-0027, 33 , 67	
503-1485, 19		504-0213, 29		508-1057, 77 , 79		526-0029, 29 , 45 , 47 , 49 , 51 , 53	
503-1620, 33 , 37 , 43		504-0214, 29		508-1090, 33 , 81		526-0030, 33 , 68 , 69 , 71	
503-1675, 14 , 19		504-0215, 29		508-1109, 105 , 107 , 113			
503-1705, 15 , 16		504-0308, 55 , 61		509-0272-01, 42		526-0049, 31	
503-1708, 37		505-0007, 11 , 13		509-0283-01, 29		526-0098, 69 , 71	
503-1717, 15 , 16 , 21		505-0011, 33		509-0336, 23		526-0112, 33 , 35 , 45	
503-1718, 21		505-0017, 33 , 43 , 47 , 49 , 51 , 57		509-0337, 23		526-0128, 29 , 38	
503-1719, 21		505-0019, 11 , 13 , 33		510-0245, 61		526-0141, 64 , 65 , 66 , 77 , 79	
503-1720, 15 , 16 , 21		505-0021, 11 , 13		510-0246, 61		526-0174, 67	
503-1721, 21		505-0044, 33		511-0119, 69 , 71		526-0219, 19 , 33 , 45 , 47 , 49 , 51 , 53 , 58 , 65 , 66 , 67	
503-1726, 33 , 38 , 45 , 47 , 49 , 51 , 57		505-0051, 37		511-0161-03, 64		526-0346, 63	
503-1727, 33 , 49		505-0054, 33		511-0161-10, 65 , 66		526-0399-25, 37	
503-1728, 37 , 45 , 47 , 49 , 51 , 57		505-0100, 11 , 13		511-0161-12, 64		526-0399-28, 37	
503-1743-01, 63		505-0102, 11 , 13 , 37		511-0161-13, 66		526-0399-42, 114	
503-1743-02, 63		505-0103, 33 , 35		511-0238, 61		526-0399-60, 75 , 81	
503-1762, 33 , 47		505-0114, 33		515-0220, 65 , 66		526-0416, 83	
503-1764, 33		505-0132, 11 , 13		517-0021, 82		526-0423, 109 , 111 , 113	
503-1863, 45 , 47 , 49 , 51 , 57		505-0153, 33 , 37 , 43		517-0090, 101		526-0445, 83	
503-1863-01, 47 , 49		505-0324, 11 , 13 , 37		517-0131, 77 , 79 , 81		526-1115, 81	
503-1870-05, 45		505-0376, 33 , 43 , 45		517-0135, 77 , 79		526-2100, 47 , 88 , 105 , 107	
503-1870-11, 14 , 19				517-0138-02, 31			
503-1870-12, 15 , 16 , 21				517-0355, 91			
				517-0356, 91			

Numerical Index

<u>Part No.</u>	<u>Page</u>	<u>Part No.</u>	<u>Page</u>	<u>Part No.</u>	<u>Page</u>	<u>Part No.</u>	<u>Page</u>
526-2120,	74 , 105 , 107	800-0158,	67	819-1137-01,	91	850-0050,	11 , 23 , 33 , 39
526-2140,	105 , 107 , 109	800-0160,	33	819-1137-02,	91		, 45 , 47 , 49 , 51 , 53 ,
	, 111 , 113	800-0163,	65 , 66 , 67	819-1144,	91		109 , 111 , 113
526-2342,	55	800-0237,	67	821-0014,	81	850-0055,	19 , 23 , 42 , 64
541-1416,	82	800-0303,	83	821-0016,	14		, 65 , 69 , 71 , 73
718-1067,	69 , 71	800-0310-82,	35 , 37	821-0017,	93	850-0060,	11 , 13 , 33 , 45
800-0006,	38 , 92	800-0500,	64 , 65 , 66 , 69	821-0022,	47 , 69 , 71		, 47 , 49 , 51 , 53 , 58 ,
800-0009,	38		, 71	821-0029,	14 , 15 , 16		67 , 83 , 109
800-0028,	109 , 111 , 113	800-0507,	64 , 65 , 66	821-0030,	51 , 53 , 57	850-0070,	33 , 35 , 45 , 65
800-0030,	109 , 111 , 113	800-0576,	83	821-0033,	14 , 15 , 16 , 19		, 66
800-0039,	101	800-0596,	83		, 21 , 33	850-0079,	15 , 16 , 21 , 33
800-0048,	67 , 105 , 107 ,	800-2008,	82	821-0035,	47 , 49 , 51 , 57		, 67
	109 , 111 , 113	800-2054,	88			850-0114-09,	37
800-0049,	111 , 113	800-2059,	69 , 71	821-2035,	74 , 105 , 107	850-0114-10,	37
800-0050,	23 , 109 , 111 ,	800-2061,	81	821-2061,	37	850-0114-54,	75
	113	800-2063,	75 , 105 , 107 ,	821-5002-03,	29 , 33 , 37	850-2003,	82
800-0051,	39 , 45 , 51 , 53		109 , 111 , 113		, 43 , 45 , 47 , 49 , 51 ,	850-2004,	82
		800-2086,	77 , 79 , 105 ,		53	850-2005,	82
800-0052,	11 , 105 , 107 ,		107	821-5002-04,	71	850-2008,	69 , 71 , 105 ,
	109	800-2088,	74	821-5003-01,	45 , 47 , 49		107
800-0053,	33 , 47 , 49 ,	800-2089,	105 , 107		, 51 , 53 , 63	850-2010,	74 , 77 , 79 ,
	111 , 113	800-2114,	109 , 111 , 113	821-5003-03,	33 , 47		105 , 107
800-0054,	109	800-2116,	105 , 107	821-5004-02,	23 , 29 , 33	850-2012,	105 , 107 , 109
800-0055,	66				, 47 , 49 , 51 , 53 , 114		, 111 , 113
800-0061,	45	800-2526,	68	821-5004-03,	29 , 33 , 37	851-0022,	109
800-0069,	71	800-6282,	51 , 57		, 43 , 45 , 47 , 49 , 51 ,	851-0048-01,	109 , 111 ,
800-0071,	69 , 71	800-6400,	55		53 , 67		113
800-0072,	19 , 73	805-0035,	83	821-6001-03,	72	851-0048-02,	109 , 111 ,
800-0075,	42	812-0067,	11	821-6002-02,	88 , 95		113
800-0078,	64 , 65 , 66	812-0081,	93	821-6002-03,	72 , 74 , 75	853-0005,	93
800-0081,	23	812-0084,	26		, 77 , 79 , 105 , 107 ,	853-2008,	75
800-0090,	11 , 13 , 51 , 53	813-0098,	101	821-6002-04,	109	856-0003,	31
	, 109	813-0103,	73	821-6003-01,	113	856-0006,	77 , 79
800-0092,	45 , 47 , 49 , 51	814-2150,	77 , 79	821-6003-02,	75 , 77 , 79	856-0010,	11 , 13 , 74 ,
	, 53 , 65 , 66	815-0203,	31		, 81 , 105 , 107 , 109 ,		105 , 107
800-0093,	67 , 109	815-0261,	109 , 111 , 113	821-6004-01,	77	856-0013,	11 , 13
800-0094,	33 , 45 , 47 , 49	815-0384,	45 , 47 , 49 , 51	822-1050,	73	860-2005,	82
	, 51 , 53 , 58 , 109			822-3047,	82	860-2006,	82
800-0106,	65 , 66	815-0447,	31	822-3075,	82	860-2010,	105 , 107 , 109
800-0130,	68	815-0538,	97 , 99				, 111 , 113
800-0132,	45	815-0539,	31	823-1006-02,	89	862-0001,	92
800-0133,	33	815-0724,	68	850-0030,	101	862-0003,	33 , 53 , 109 ,
800-0135,	33 , 65 , 66	815-0769-01,	64	850-0040,	92		111 , 113
800-0138,	35 , 37	815-0792-02,	91	850-0045,	101	862-0005,	37 , 109
800-0152,	15 , 16 , 21					862-0007,	33 , 35 , 37 , 45

Numerical Index

<u>Part No.</u>	<u>Page</u>	<u>Part No.</u>	<u>Page</u>	<u>Part No.</u>	<u>Page</u>	<u>Part No.</u>	<u>Page</u>
862-0008,	33 , 67						
862-0015,	101 , 109 , 111						
	, 113						
862-0016,	33 , 45 , 47 , 49						
	, 51 , 53 , 58 , 67						
862-0017,	83						
862-0034,	64 , 65 , 66						
864-0017,	73						
864-0020-01,	73						
870-0131,	31						
870-0183,	11						
870-0212,	11 , 13						
870-0221,	93 , 95						
870-0257,	14 , 93						
870-0281,	14 , 15 , 16 , 33						
	, 37 , 43 , 47 , 49 , 51 ,						
	53 , 57						
870-0437,	15 , 16 , 19 , 21						
870-0504,	74 , 105 , 107						
870-0550-05,	45 , 49 , 51						
870-0550-07,	33						
870-0550-09,	29 , 33 , 45						
	, 49 , 51 , 53						
870-1220,	95						
870-1221,	26						
870-2054,	77 , 79						
870-2055,	81						
870-2056,	79						
870-2213-02,	91						
870-2287,	55						
871-0010,	31						
895-0182,	38 , 105 , 107						
898-1254-25,	82						
A028X493,	11 , 13						

“Intentionally Left Blank”

power.cummins.com

Copyright © 2016 Cummins Inc. All rights reserved.

Cummins Power Generation, the "C" logo, and Cummins are trademarks of Cummins Inc.

PowerCommand, AmpSentry, InPower and "Our energy working for you." are trademarks of Cummins Power Generation Inc.

Other company, product, or service names may be trademarks or service marks of others.

Specifications are subject to change without notice.

