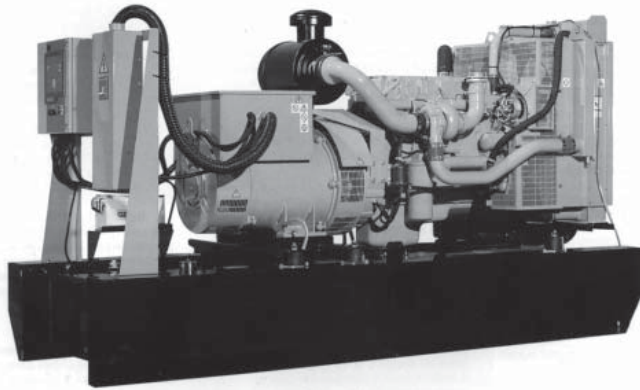


Exclusively from your Caterpillar® dealer



STANDBY 150-200 kW
PRIME 135-180 kW
60 Hz

Model	Standby kW (kVA)	Prime kW (kVA)
D150P4*	150 (187.5)	135 (168.8)
D200P4*	200 (250)	180 (225)

*EPA Approved, Emissions Certified

FEATURES

GENERATOR SET

- Complete system designed and built at ISO 9001 certified facilities
- Factory tested to design specifications at full load conditions

ENGINE

- Governing, electronic
- Electrical system, 24 VDC
- Cartridge type filters
- Battery(s), rack and cables
- Coolant and lube drains piped to edge of base

GENERATOR

- Insulation system, class H
- Electrical design in accordance with BS5000 Part 99, IEC34-1, VDE0530, UTE51100, NEMA MG-1.22
- Drip proof alternator air intake (NEMA 2, IP23) (D150P4)

CONTROL SYSTEM

- 2001 Series Autostart control panel
- Vibration isolated NEMA 1 enclosure with lockable hinged door
- DC and AC wiring looms

MOUNTING ARRANGEMENT

- Heavy-duty fabricated steel base with lifting points
- Anti-vibration pads to ensure vibration isolation
- Complete OSHA guarding
- Stub-up pipe ready for connection to silencer pipework
- Flexible fuel lines to base with NPT connections

COOLING SYSTEM

- Radiator and cooling fan complete with protective guards
- Standard ambient temperatures up to 122° F (50° C)

CIRCUIT BREAKER

- UL/CSA listed
- 3-pole with solid neutral
- NEMA 1 steel enclosure, vibration isolated
- Electrical stub-up area directly below circuit breaker

AUTOMATIC VOLTAGE REGULATOR

- Voltage within ± 0.5% at steady state from no load to full load
- Provides fast recovery from transient load changes

EQUIPMENT FINISH

- All electroplated hardware
- Anticorrosive paint protection
- High gloss polyurethane paint for durability and scuff resistance

QUALITY STANDARDS

- BS4999, BS5000, BS5514, IEC34, VDE0530, NEMA MG-1.22, NFPA 110 (with optional equipment)

DOCUMENTATION

- Operation and maintenance manuals provided
- Wiring diagrams included

WARRANTY

- 12 months from date of initial start-up or 18 months from shipping, whichever occurs first

Materials and specifications are subject to change without notice.

STANDBY 150 - 200 kW
PRIME 135 - 180 kW
60 Hz

OLYMPIAN™

Exclusively from your Caterpillar® dealer

OPTIONAL EQUIPMENT*

ENCLOSURE

- B Series weather protective enclosure (includes internal silencer system and 8-hour single-walled fuel tank)

SILENCER SYSTEM

- Level 2 silencer

CONTROL SYSTEM

- 4001E Autostart control panel

FUEL SYSTEM

- UL listed closed top-diked skid-mounted fuel tank base (24-hour capacity) with fuel alarm (low level/leak detected)

COOLING SYSTEM

- Coolant heater
- Low coolant temperature alarm
- Low coolant level shutdown

REMOTE ANNUNCIATORS

- 8 channel remote annunciator panel (supplied loose)

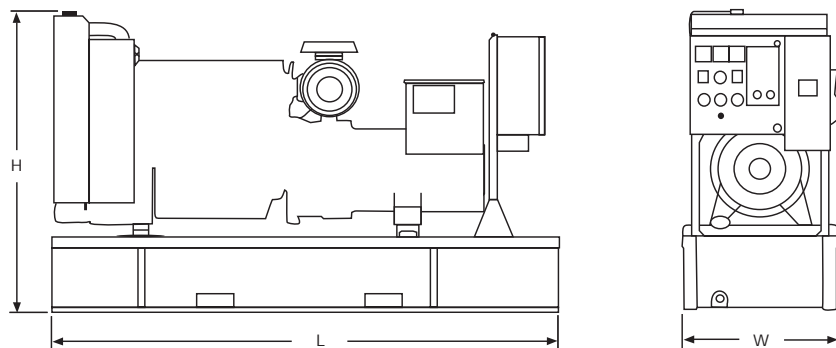
WARRANTY

- 12 months

(See warranty policy for details of coverage)

*Some options may not be available on all models. Not all options are listed.

GENERATOR SET DIMENSIONS AND WEIGHTS



Model	Length in (mm)	Width in (mm)	Height in (mm)	Weight lbs (kg)**
D150P4	117 (2971)	39.5 (1003)	67.6 (1717)	4115 (1867)
D200P4	117 (2971)	39.5 (1003)	67.6 (1717)	4423 (2007)

NOTE: General configuration not to be used for installation. See specific dimensional drawings for detail.

**Includes oil and coolant

STANDBY 150 - 200 kW
PRIME 135 - 180 kW
60 Hz

OLYMPIAN™

Exclusively from your Caterpillar® dealer

SPECIFICATIONS



GENERATOR

Voltage Regulation ±0.5% at steady state from no load to full load
 Frequency ±0.25% for constant load, no load to full load
 Waveform Distortion THD < 1.8%, at no load
 Radio Interference Compliance with BSEN 50081 and 50082
 Telephone Interference TIF <50, THF <2%
 Overspeed Limit 2250 rpm
 Insulation Class H
 Temperature Rise Within Class H limits
 Available Voltages 277/480, 266/460, 120/240, 127/220, 120/208, 347/600
 Deration Consult factory for available outputs
 Ratings At 86° F (30° C), 500 ft. (152.4 m), 60% humidity, 0.8 pf



ENGINE

Manufacturer Perkins
 Type 4-Cycle
 Cylinder Configuration In-line 6
 Displacement — cu in (L) 531 (8.7)
 Bore — in (mm) 4.59 (116.6)
 Stroke — in (mm) 5.35 (135.9)
 Governor
 Type Electronic
 Class A1
 Piston Speed — ft/sec (m/sec) 26.9 (8.2)
 Engine speed — rpm 1800
 Air Cleaner Type Dry, replaceable paper element type with restriction indicator

D150P4 — 1306E87T
 Compression Ratio 17.2:1
 Max Power at Rated rpm — hp (kW)
 Standby 230 (172)
 Prime 207 (154)
 BMEP — psi (kPa)
 Standby 191 (1317)
 Prime 171 (1178)
 Regenerative Power — kW 28.6
 Aspiration Turbocharged
 D200P4 — 1306E87TA
 Compression Ratio 16.9:1
 Max Power at Rated rpm — hp (kW)
 Standby 325 (242)
 Prime 295 (220)
 BMEP — psi (kPa)
 Standby 269 (1855)
 Prime 245 (1686)
 Regenerative Power — kW 28.6
 Aspiration Turbocharged, AA Charge Cooled



CONTROL PANEL

NEMA 1 steel enclosure with lockable hinged door
 Vibration isolated mounted Autostart control panel
 Single location customer connector point
 Electrical stub-up area directly below control panel

RATING DEFINITIONS

Standby — Applicable for supplying continuous electrical power (at variable load) in the event of a utility power failure. No overload is permitted on these ratings. The generator is peak rated (as defined in ISO8528-3).

Prime — Applicable for supplying continuous electrical power (at variable load) in lieu of commercially purchased power. There is no limitation to the annual hours of operation and the generator set can supply 10 percent overload power for 1 hour in 12 hours.

Consult your Olympian representative for more information.

www.CAT-ElectricPower.com

© 2001 Caterpillar
 All rights reserved.
 Printed in U.S.A.

STANDBY 200 kW
PRIME 180 kW
60 Hz

OLYMPIAN™

Exclusively from your Caterpillar® dealer

D200P4 (3-Phase)

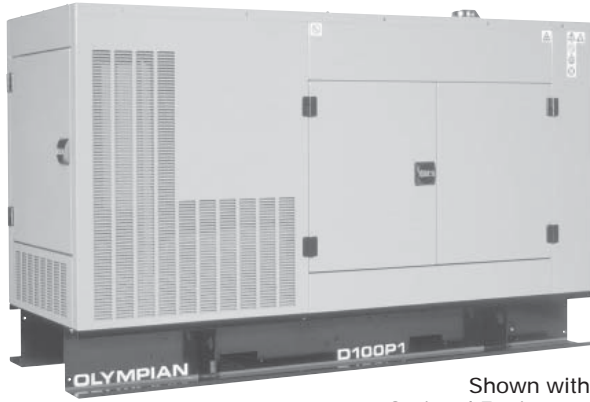
Materials and specifications are subject to change without notice.

Generator Set Technical Data — 1800 rpm/60 Hz		Standby	Prime
Power Rating	kW (kVA)	200 (250)	180 (225)
Lubricating System Type: Full Pressure Oil Filter: Spin-On, Full Flow Oil Cooler: Watercooled Oil Type Required: API CF-4 Total Oil Capacity Oil Pan	U.S. gal (L) U.S. gal (L)	7.0 (26.5) 6.0 (22.7)	7.0 (26.5) 6.0 (22.7)
Fuel System Generator Set Fuel Consumption 100% Load 75% Load 50% Load	g/hr (L/hr) g/hr (L/hr) g/hr (L/hr)	16.18 (61.26) 12.3 (46.4) 8.9 (33.6)	14.66 (55.5) 11.1 (412.2) 8.06 (30.5)
Engine Electrical System Voltage/Ground: 24/Negative Battery Charging Alternator Ampere Rating	amps	45	45
Cooling System Water Pump Type: Centrifugal Radiator System Capacity Incl. Engine Maximum Coolant Static Head Coolant Flow Rate Minimum Temperature to Engine Temperature Rise Across Engine Heat Rejected to Coolant at Rated Power Total Heat Radiated to Room at Rated Power Radiator Fan Load	U.S. gal (L) ft H ₂ O (m H ₂ O) U.S. gal/hr (L/hr) °F (°C) °F (°C) Btu/min (kW) Btu/min (kW) hp (kW)	9.8 (37.2) 51.0 (15.5) 5559.8 (21 060) 174 (79) 9 (5.0) 6216 (110) 2561 (45) 20.7 (15.5)	9.8 (37.2) 51.0 (15.5) 5559.8 (21 060) 174 (79) 9 (5.0) N/A N/A 20.7 (15.5)
Air Requirements Combustion Air Flow Maximum Air Cleaner Restriction Radiator Cooling Air (zero restriction) Alternator Cooling Air Allowable Air Flow Restriction (After radiator) Cooling Airflow (@ rated speed) Rate with restriction	cfm (m ³ /min) in H ₂ O (kPa) cfm (m ³ /min) cfm (m ³ /min) in H ₂ O (kPa) cfm (m ³ /min)	712 (20.2) 25 (6.2) 16,949 (480) 1080 (30.6) 0.48 (0.120) 14,620 (414)	N/A 25 (6.2) 16,949 (480) 1080 (30.6) 0.48 (0.120) 14,620 (414)
Exhaust System Maximum Allowable Backpressure Exhaust Flow at Rated kW Exhaust Temperature at Rated kW — Dry Exhaust	in Hg (kPa) cfm (m ³ /min) °F (°C)	3.2 (10.7) 1811 (51.3) 890 (477)	3.2 (10.7) N/A N/A
Generator Set Noise Rating* (Without Attenuation) at 3 ft (1 m)	dB(A)	97	97

Alternator Technical Data	277/480V	266/460V	127/220V	120/208V	347/600V
Motor Starting Capability: (kVA) (30% Voltage Dip)					
Self Excited	481	438	402	360	N/A
PM Excited**	602	555	508	453	602
AREP Excited	602	555	508	453	602
Full Load Efficiencies:					
Standby	92.5	92.3	92.0	91.5	92.5
Prime	92.8	92.6	92.4	92.0	92.8
Reactances (per unit):					
X _d	3.21	3.50	3.82	4.28	3.21
X' _d	0.16	0.17	0.19	0.21	0.16
X'' _d	0.091	0.099	0.108	0.121	0.091
X _q	1.92	2.09	2.29	2.56	1.92
X'' _q	0.112	0.122	0.134	0.149	0.112
X ₂	0.101	0.110	0.120	0.135	0.101
X ₀	0.006	0.006	0.007	0.007	0.006
Time Constants:	t' _d 100 ms	t'' _d 10 ms	t' _{do} 2116 ms	t _a 15 ms	

* dB(A) levels are for guidance only
 ** With PMG Excited Option AR12

Exclusively from your Caterpillar® dealer



Shown with
Optional Equipment

CAWB – WEATHERPROOF ENCLOSURES

These weatherproof, factory installed, enclosures incorporate internally mounted critical level silencers, matched for safety and aesthetic value on non-UL listed steel base fuel tanks on diesel models. Optional UL listed tanks are available. These enclosures are of extremely rugged construction to withstand outdoor exposure to the elements of weather and rough handling common on many construction sites. They are designed on modular principles with many interchangeable components permitting on-site repair.

Note: Options FSS1, FSS2, FSS5 and FSS6 (fuel level alarms) are not available on non-UL "B Series" base tanks.

FEATURES

ROBUST/HIGHLY CORROSION RESISTANT CONSTRUCTION

- Black zinc die cast hinges tested and proven to withstand extreme conditions of corrosion
- Zinc plated or stainless steel fasteners
- Body made from sheet steel components pre-treated with zinc phosphate prior to polyester powder coating at 392°F (200°C)

EXCELLENT ACCESS

- Large cable entry area for installation ease
- Doors located convenient to controls and service areas
- Double doors on both sides
- Vertically hinged doors allow 180° opening rotation
- "Lift-off" doors, removeable with 45° opening in confined locations
- Lube oil and coolant drains piped to exterior of enclosure and terminated with drain valves
- Hinged radiator fill cover

SECURITY AND SAFETY

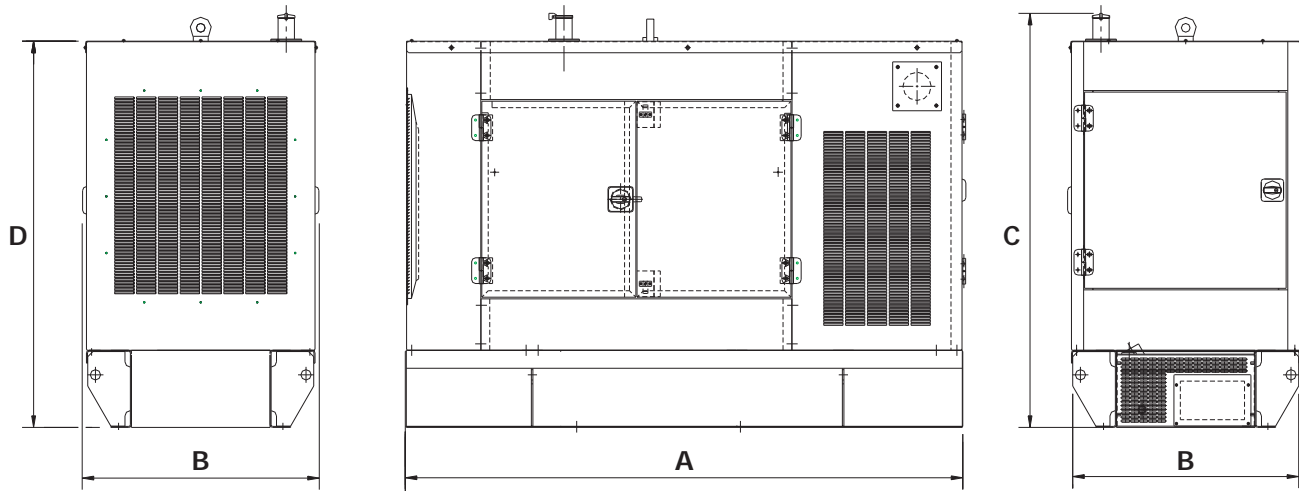
- Lockable access doors with standard key utilization
- Cooling fan and battery charging alternator fully guarded
- Fuel fill can only be reached via lockable access doors (only provided when optional fuel tank is ordered)
- Exhaust silencing system totally enclosed for operator safety
- Roof outlet exhaust with sealed roof aperture and rain cap
- Stub-up cover sheets for "rodent proofing"

TRANSPORTABILITY

- Lifting points on baseframe
- Optional tested and certified single point lifting facility



Exclusively from your Caterpillar® dealer

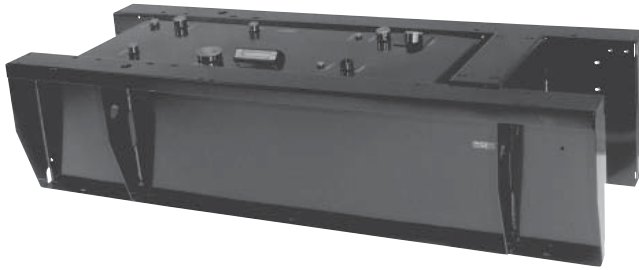


CAWB — WEATHERPROOF ENCLOSURES DIMENSIONS AND WEIGHTS (with non-UL listed base tanks)

Generator Set Model	A in (mm)	B in (mm)	C in (mm)	D in (mm)	Fuel Capacity US Gal (L)	Weight* lb (kg)
D20P1, D25P1	73.1 (1856)	36.3 (923)	61.4 (1560)	57.1 (1450)	28.8 (109)	1728 (784)
D20P2, D25P2, D30P4	73.1 (1856)	36.3 (923)	61.4 (1560)	57.1 (1450)	28.8 (109)	2008 (911)
D30P3	85.5 (2171)	36.3 (923)	63.4 (1610)	59.1 (1502)	43.6 (165)	2200 (998)
D40P3, D40P2	85.5 (2171)	36.3 (923)	63.4 (1610)	59.1 (1502)	43.6 (165)	2321 (1053)
D50P3, D50P2	85.5 (2171)	36.3 (923)	63.4 (1610)	59.1 (1502)	43.6 (165)	2366 (1073)
D60P3, D60P2	85.5 (2171)	36.3 (923)	63.4 (1610)	59.1 (1502)	43.6 (165)	2476 (1123)
D75P3, D75P2	85.5 (2171)	36.3 (923)	63.4 (1610)	59.1 (1502)	43.6 (165)	2564 (1163)
D90P1, D100P1, D100P2	94.7 (2406)	37.4 (948)	63.7 (1617)	59.1 (1502)	61.3 (232)	2985 (1354)
D125P1, D125P2, D150P1	115.4 (2934)	44.4 (1128)	73.2 (1859)	67.7 (1720)	77.9 (295)	5018 (2276)
D150P4, D200P4	129.5 (3290)	52.7 (1338)	78.0 (1978)	72.9 (1852)	145.3 (550)	5812 (2637)
G30F3, G40F3, G50F3	85.2 (2165)	35.4 (900)	61.4 (1555)	56.5 (1435)	N/A	2042 (928)
G60F3, G80F3, G100F3	95.2 (2415)	36.2 (920)	61.4 (1555)	56.5 (1435)	N/A	2586 (1173)
D20P1S, D25P1S	73.1 (1856)	36.3 (923)	61.4 (1560)	57.1 (1450)	28.8 (109)	1871 (894)
D20P2S, D25P2S	73.1 (1856)	36.3 (923)	61.4 (1560)	57.1 (1450)	28.8 (109)	2008 (911)
D30P3S, D30P2S	85.5 (2171)	36.3 (923)	63.4 (1610)	59.1 (1502)	43.9 (165)	2321 (1053)
D40P3S, D40P2S	85.5 (2171)	36.3 (923)	63.4 (1610)	59.1 (1502)	43.9 (165)	2476 (1123)
D50P3S, D50P2S	85.5 (2171)	36.3 (923)	63.4 (1610)	59.1 (1502)	43.9 (165)	2564 (1163)
D60P3S, D60P2S	85.5 (2171)	36.3 (923)	63.4 (1610)	59.1 (1502)	43.9 (165)	2674 (1213)
D75P1S, D75P2S	94.7 (2406)	37.4 (948)	63.7 (1617)	59.1 (1502)	61.3 (232)	2985 (1354)
D90P1S	115.5 (2934)	44.4 (1128)	73.2 (1859)	67.7 (1720)	77.9 (295)	4800 (2177)
D100P1S, D90P2S, D100P2S	115.5 (2934)	44.4 (1128)	73.2 (1859)	67.7 (1720)	77.9 (295)	5018 (2276)
G30F3S, G35F3S	85.2 (2165)	35.4 (900)	61.4 (1555)	56.5 (1435)	N/A	2042 (928)
G45F3S	85.2 (2165)	36.2 (920)	61.4 (1555)	56.5 (1435)	N/A	2152 (978)
G55F3S	95.2 (2415)	36.2 (920)	61.4 (1555)	56.5 (1435)	N/A	2586 (1173)
G75F3S	95.2 (2415)	36.2 (920)	61.4 (1555)	56.5 (1435)	N/A	2696 (1223)
G100F3S	95.2 (2415)	36.2 (920)	61.4 (1555)	56.5 (1435)	N/A	3089 (1404)

* Net weight with lube oil and coolant, no fuel, quoted for the largest model in range.

Exclusively from your Caterpillar® dealer



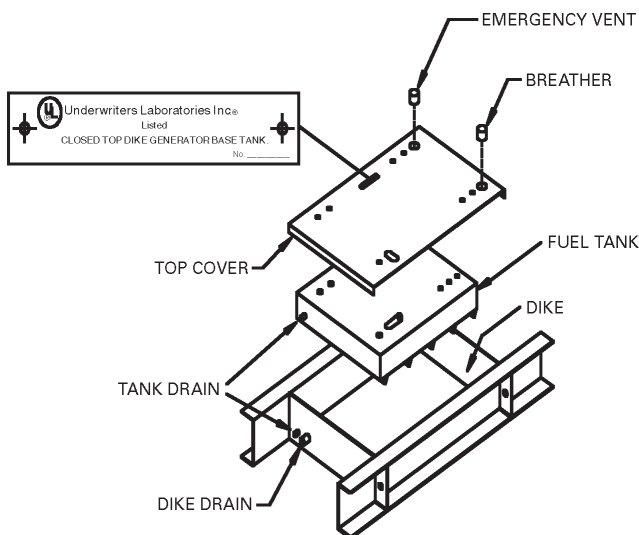
UL LISTED FUEL TANKS

FCUL1 — 12 HR

FCUL2 — 24 HR

CLOSED TOP DIKED SKID BASE FUEL TANK

The generator set skid base contains an integral, UL listed, double walled, steel fuel storage tank with diked rupture basin for the containment of fuel resulting from a tank leak or rupture. The rupture basin is integrally vented and has a closed top to prevent the ingress of precipitation, debris or other elements. The tank is leak tested to 3 psi and pressure tested to 15 psi. The base tank is UL142 listed for Steel Above Ground Tanks for Flammable and Combustible Liquids under the "Special Purpose Tanks" category. They are intended for installation in accordance with the Flammable and Combustible Liquids Code, NFPA 30 of the National Fire Protection Association.



FEATURES

CONSTRUCTION

- Manufactured entirely from 4 mm (8 gauge) steel
- Continuously welded seams
- Formed steel channel type side beams
- Unitized load bearing structure
- Integral lifting points
- Corrosion resistant precoat
- Listed to UL142
- Closed top diked base tank

AESTHETICS

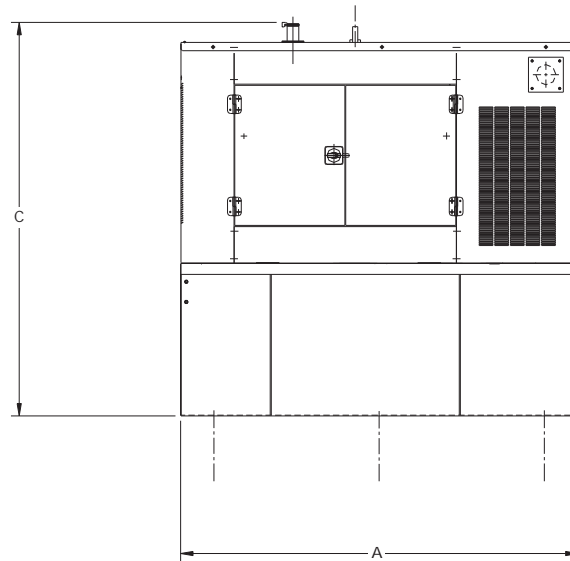
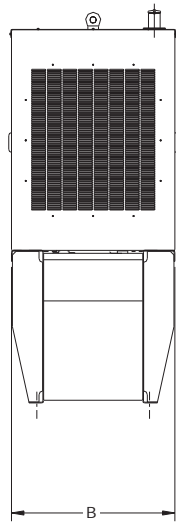
- Continuous high gloss finish
- Polyester powder composite
- Extremely durable and corrosion resistant

DESIGN FEATURES

- Unique integral base and tank design
- Developed specifically for open or enclosed generator sets
- Containment capacity for fuel
- Internal baffles arranged to prevent recirculation of heated return fuel
- Brass composite 2" filler cap
- Mechanical fuel gauge
- Fuel capacities to provide typically 12 and 24 hour standby operation
- Primary vent with breather

- Vent located accessible for adapting to remote venting
- Venting areas to UL142 specifications
- Leak detection switch
- Emergency vent for main tank
- Weatherproof diked containment basin
- External NPT drain fittings for fuel tank and containment basin
- Removable base-end cover plate encloses stub-up area when used with enclosures

Exclusively from your Caterpillar® dealer

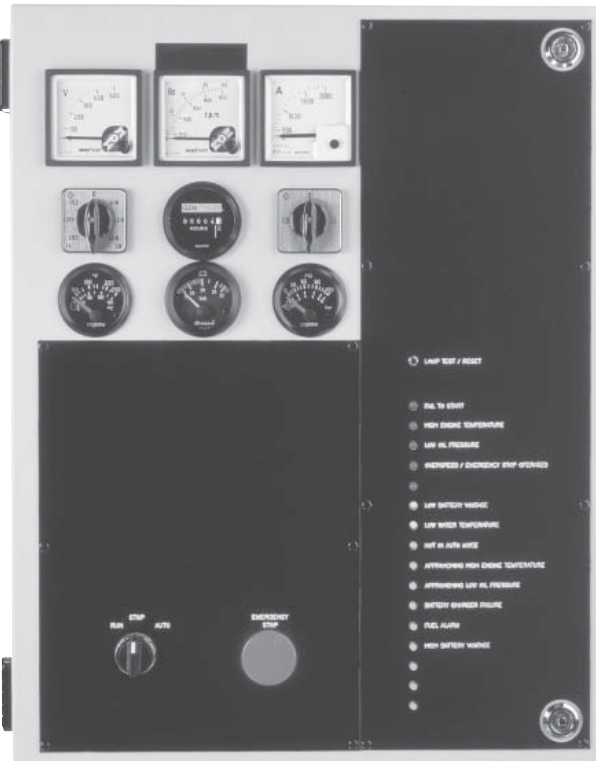


WEATHERPROOF ENCLOSED GENERATOR SETS WITH CAWB ENCLOSURE DIMENSIONS AND WEIGHTS WITH UL LISTED FUEL TANK

Generator Set Model	Working Tank Capacity, US gallons (liters)		Generator Dimensions, in (mm)				Weight lb (kg)	
			Length A	Width B	Height, 12 hr	Height, 24 hr		
	12 hr	24 hr			C	C	12 hr	24 hr
D20P1, D25P1,	NA	64.7 (245)	72.6 (1854)	35.7 (906)	NA	69.7 (1770)	NA	2197 (997)
D20P2, D25P2, D30P4	NA	64.7 (245)	72.6 (1854)	35.7 (906)	NA	69.7 (1770)	NA	2458 (1115)
D30P3	77.1 (292)	152.2 (576)	85.3 (2167)	36.3 (923)	75.8 (1926)	84.3 (2141)	2542 (1153)	3078 (1396)
D40P3, D40P2	77.1 (292)	152.2 (576)	85.3 (2167)	36.3 (923)	75.8 (1926)	84.3 (2141)	2663 (1208)	3199 (1451)
D50P3, D60P3, D50P2, D60P2	77.1 (292)	152.2 (576)	85.3 (2167)	36.3 (923)	75.8 (1926)	84.3 (2141)	2817 (1278)	3353 (1521)
D75P3, D75P2	77.1 (292)	152.2 (576)	85.3 (2167)	36.3 (923)	75.8 (1926)	84.3 (2141)	2906 (1318)	3441 (1561)
D90P1–D100P1, D100P2	102 (386)	199.5 (755)	94.6 (2404)	37.3 (948)	74.4 (1908)	86.0 (2183)	4114 (1866)	4076 (1849)
D125P1, D125P2	151.7 (574)	307.8 (1165)	115.5 (2934)	44.4 (1128)	86.3 (2191)	93.7 (2380)	4398 (1995)	4852 (2201)
D150P1	151.7 (574)	307.8 (1165)	115.5 (2934)	44.4 (1128)	86.3 (2191)	93.7 (2380)	4520 (2050)	4974 (2256)
D150P4	238.8 (904)	391.2 (1481)	129.7 (3294)	52.7 (1338)	84.8 (2155)	94.8 (2408)	5549 (2517)	6038 (2739)
D200P4	238.8 (904)	391.2 (1481)	129.7 (3294)	52.7 (1338)	84.8 (2155)	94.8 (2408)	5789 (2626)	6276 (2847)
D20P1S, D25P1S,	NA	245 (64.7)	72.6 (1854)	35.7 (906)	NA	69.7 (1770)	NA	2198 (997)
D20P2S, D25P2S	NA	245 (64.7)	72.6 (1854)	35.7 (906)	NA	69.7 (1770)	NA	2459 (1115)
D30P3S, D40P3S, D30P2S, D40P2S	77.1 (292)	152.2 (576)	85.3 (2167)	36.3 (923)	75.8 (1926)	84.3 (2141)	2817 (1278)	3353 (1521)
D50P3S, D60P3S, D50P2S, D60P2S	77.1 (292)	152.2 (576)	85.3 (2167)	36.3 (923)	75.8 (1926)	84.3 (2141)	3016 (1368)	3552 (1611)
D75P1S, D75P2S	102 (386)	199.5 (755)	94.6 (2404)	37.3 (948)	74.4 (1908)	86.0 (2183)	3598 (1632)	3973 (1802)
D90P1S–D100P1S, D90P2S–D100P2S	151.7 (574)	307.8 (1165)	115.5 (2934)	44.4 (1128)	86.3 (2191)	93.7 (2380)	4520 (2050)	4855 (2202)

Weight with lube oil and coolant

Exclusively from your Caterpillar® dealer



Panel pictured may include optional accessories

4001E AUTOSTART CONTROL PANEL

The 4001E control panel is designed for automatic starting and stopping of the generator set with 2 wire remote, contacts as well as manual starting and stopping. The panel provides engine and generator instrumentation for volts, amps, combined frequency meter and tachometer, coolant temperature, lube oil pressure and battery condition voltmeter. The control system provides shutdown protection for high coolant temperature, low oil pressure, fail to start and overspeed along with alarms for approaching low oil pressure, approaching high coolant temperature, low battery voltage, battery charger failure, and control switch not in auto mode with individual indicator lamps. An engine cool-down timer is included for normal shutdowns. Optional instrumentation, alarms and shutdowns are available.

The 4001E control panel has two additional shutdown protection control channels and one additional alarm circuit channel along with four additional circuit channels which can be programmed for either shutdown or alarm circuits with indicating lamps for alarm and shutdown options.

Terminals are included for interface with remote annunciators of generator set shutdowns and alarms.

With optional features, the 4001E panel is fully compatible with NFPA 110 installation requirements.

FEATURES

CONSTRUCTION AND FINISH

- Components installed in a heavy duty sheet steel enclosure
- Phosphate chemical pre-coating of steel provides corrosion resistant surface
- Polyester composite powder top-coat forms high gloss and extremely durable finish
- Durable plastic laminate fascia plate with engraved markings
- Lockable hinged panel door provides for easy component access

MOUNTING

- Mounted to generator set baseframe on robust steel stand
- Vibration isolated from generator set
- Located at rear of generator set with excellent panel visibility
- Installed as an integral part of the enclosure on enclosed generator sets

INSTRUMENTATION

- AC instruments are 90° deflection, 72 mm square, flush mounting
- AC instruments in accordance with IEC60051 and 60414/60529, DIN43700 and 43718, BSEN60051 and 61010-1, UL94
- Engine gauges are heavy duty, 52 mm diameter, electrically operated

CONTROLS

- Protected by fused DC supply from starting battery
- Printed circuit board assemblies with field proven circuit elements
- Thoroughly tested during manufacture and final test of generator set
- Multi-pin plug and socket connections for ease in servicing
- Switches and pushbuttons are heavy duty industrial type
- Internal AC and DC panel wiring harnesses pre-formed for uniform routing and enhanced interconnect reliability



Exclusively from your Caterpillar® dealer

STANDARD/OPTIONAL FEATURES

4001E AUTOSTART CONTROL PANEL	
STANDARD FEATURES	
Instrumentation	Voltmeter Ammeter Combined frequency and tachometer Hours run counter Coolant temperature gauge Lube oil pressure gauge Battery condition voltmeter
Controls	Run/off/auto switch Lock down stop button (red) Engine preheat pushbutton (if required) Lamp test pushbutton 7 pos voltmeter phase selector switch 4 pos ammeter phase selector switch 3 attempt start timer Cool down timer
Shutdowns with Individual Warning Lamps	Fail to start High coolant temperature Low lube oil pressure Overspeed
Alarms with Individual Warning Lamps	Approaching low oil pressure Approaching high engine temperature Low battery voltage/High battery voltage Battery charger failure Control switch not in auto mode
Remote Signals/Contacts from Panel	Interface to remote annunciator Terminals for remote emergency stop Common fault alarm signal Volt-free contact for generator set running and common fault alarm signal
Additional Fault Channels	Channels available for optional shutdowns — 2 Channels available for optional alarms — 1 Additional fault channels available — 4 (individually programmable for shutdown or alarm) Note: This panel has seven fault indicating lamps available on the panel face for options. Note: UL base tanks utilize the additional alarm channel for a combined leak detection and low fuel level alarm. Note: When PMA3 has been ordered only PMK1 OR PMA4 are available (not both).
OPTIONAL FEATURES	
Instrumentation	PMA3 3 ammeters instead of 1 ammeter and selector switch PMK1 kilowatt meter (not available with PMA3) PMA4 static battery charger ammeter PML1 lube oil temperature gauge PMBCUL3 panel mounted battery charger PMBCUL5 panel mounted battery charger
Controls	PSB5 panel emergency stop pushbutton with security key PSS1 speed adjust potentiometer (requires GOVE1 electronic governor) PSV1 voltage adjust potentiometer (±5%) PAA2 audible alarm supplied loose PAA1 panel mounted audible alarm PTC2 auto preheat control circuit (not for use with D150P4 or D200P4)
Shutdowns with Individual Warning Lamps	PPS2 underspeed shutdown PPV1 overvoltage shutdown/PPV3 undervoltage shutdown PPV2 combined over/undervoltage shutdown PPO1 overload shutdown via alarm switch on breaker PPO2 overload shutdown via overcurrent relay
Remote Annunciators	PAN4 8 channel remote annunciator panel (supplied loose) PAN5 16 channel remote annunciator panel (supplied loose) PAN6 Remote annunciator upgrade (Normal/Run control switch) PAN7 Lockdown stop button

www.CAT-ElectricPower.com

© 2001 Caterpillar
All rights reserved.
Printed in U.S.A.