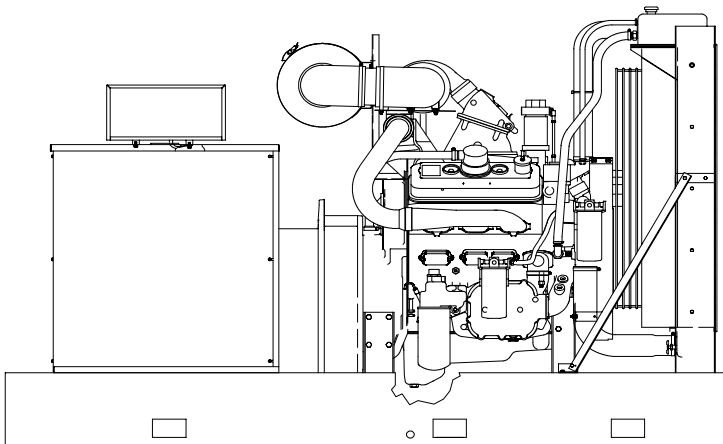




Ratings Range

		60 Hz	50 Hz
Standby:	kW	280-300	252
	kVA	350-375	315
Prime:	kW	255-270	228
	kVA	319-338	285



Standard Features

- Kohler Co. provides one-source responsibility for the generating system and accessories.
- All generator sets and components are prototype tested, factory built, and production tested.
- Generator sets provide one-step load acceptance per NFPA 110.
- A one-year limited warranty covers all systems and components. Two-, five-, and ten-year extended warranties are available.
- Generator features:
 - Kohler's unique Fast-Response™ excitation system delivers the fastest voltage response in the industry.
 - Brushless, rotating-field generator has broadrange reconnectability.
 - Kohler's permanent magnet-excited generator (PMG) provides superior short-circuit capability.
- Other features:
 - Controllers are available to meet all applications. See controller features inside.
 - Low coolant level shutdown protects generator set from overheating.
 - Integral vibration isolation eliminates the need for installation of vibration spring isolators under the unit.
 - Electronic, isochronous governor provides precise frequency regulation.

Generator Ratings

Generator	Voltage	PH	Hz	130 °C Rise Standby Amps.	130 °C Rise Standby Rating kW/kVA	105 °C Rise Prime Rating kW/kVA
4UA13	120/208	3	60	1041	300/375	270/338
	120/240	3	60	902	300/375	270/338
	127/220	3	60	984	300/375	270/338
	139/240	3	60	902	300/375	270/338
	220/380	3	60	532	280/350	255/319
	240/416	3	60	520	300/375	270/338
	277/480	3	60	451	300/375	270/338
	347/600	3	60	361	300/375	270/338
	110/190	3	50	957	252/315	228/285
	110/220	3	50	827	252/315	228/285
	115/200	3	50	909	252/315	228/285
	120/208	3	50	874	252/315	228/285
	220/380	3	50	479	252/315	228/285
	230/400	3	50	455	252/315	228/285
240/416	3	50	437	252/315	228/285	

RATINGS: Standby ratings are continuous for the duration of any power outage. No overload capacity is specified at this rating. Prime ratings are continuous per BS 5514, DIN 6271, ISO-3046, and IEC 34-1 with 10% overload capacity one hour in twelve hours. All single-phase units are rated at 1.0 power factor. All 3-phase units are rated at 0.8 power factor. Contact the factory for ratings of city water-cooled and remote radiator models. Larger alternators may be used to meet special application requirements. Availability is subject to change without notice. Kohler Co. reserves the right to change the design or specifications without notice and without any obligation or liability whatsoever. Contact your local Kohler Co. generator distributor for availability. GENERAL GUIDELINES FOR DERATION: ALTITUDE: Derate 1.5% per 1000 ft. (305 m) elevation above 3300 ft. (1007 m). TEMPERATURE: Derate 1.0% per 10°F (5.5°C) temperature above 77°F (25°C).

Alternator Specifications

Specifications	Fast-Response™ Generator
Manufacturer	Kohler
Type	4 Pole, Rotating Field
Exciter type	Brushless, Permanent Magnet, Fast-Response™
Number of leads	12, Reconnectable
Voltage regulator	Solid State, Volts/Hz
Insulation: NEMA MG1-1.66,	
Material	Class H
Temperature rise	130°C, Standby
Bearing: number, type	1, Sealed
Coupling	Flexible Disc
Amortisseur windings	Full
Voltage regulation, no load to full load	±2%
One-step load acceptance per NFPA 110	100% of Rating
Peak motor starting kVA:	(35% dip for 480 V, 60 Hz and 380 V, 50 Hz)
4UA13	980 (60Hz) 600 (50Hz)

- Compliance with NEMA, IEEE, and ANSI standards for temperature rise.
- Sustained short-circuit current of up to 300% of rated current for up to 10 seconds.
- Sustained short-circuit capability enabling downstream circuit breakers to trip without collapsing the generator field.
- Self-ventilation and drip-proof construction.
- Vacuum-impregnated windings with fungus-resistant epoxy varnish for dependability and long life.
- Superior voltage waveform from a two-thirds pitch stator and skewed rotor.
- Solid-state, volts-per-hertz voltage regulator with ±2% no-load to full-load regulation.
- Fast-Response™ brushless alternator with brushless exciter for excellent load response.

Application Data

Engine

Engine Specifications	60 Hz	50 Hz
Manufacturer	Detroit Diesel	
Engine, model, type	6V-92TA (8063-7416) 2-Cycle, Turbocharged, Aftercooled	
Cylinder arrangement	6-V	
Displacement, cu. in. (L)	552 (9.046)	
Bore and stroke, in. (mm)	4.84 (123) x 5.00 (127)	
Compression ratio	15.0:1	
Piston speed, ft/min. (m/sec.)	1500 (7.6)	1250 (6.3)
Main bearings: number, type	4, Replaceable Insert	
Rated rpm	1800	1500
Max. power at rated rpm, hp (kW)	474 (353)	400 (298)
Cylinder head material	Cast Iron	
Crankshaft material	Forged Steel	
Valve (exhaust) material	Pyromet 31	
Governor: type, make/model	Electronic, Barber-Colman, Dyna 8000	
Frequency regulation, no load to full load	Isochronous	
Frequency regulation, steady state	±0.25%	
Air cleaner type, all models	Dry	

Engine Electrical

Engine Electrical System	60 Hz	50 Hz
Battery charging alternator:		
Ground (negative/positive)	Negative	
Volts (DC)	24	
Ampere rating	65	
Starter motor rated voltage (DC)	24	
Recommended battery cold cranking amps (CCA) rating	950 above 32°F (0°C) 1250 below 32°F (0°C)	
Quantity of batteries	4	
Battery voltage (DC)	12	
Rolling current at 32°F (0°C)	-	

Fuel

Fuel System	60 Hz	50 Hz
Fuel supply line, min. ID, in. (mm)	0.5 (13)	
Fuel return line, min. ID, in. (mm)	0.31 (8)	
Max. lift, engine-driven fuel pump, ft. (m)	6.8 (2.1)	
Max. fuel flow, gph (Lph)	89.3 (338)	83.6 (316)
Fuel prime pump	N/A	
Fuel filter	2, Primary/Secondary	
Recommended fuel	#2 Diesel	

Exhaust

Exhaust System	60 Hz	50 Hz
Exhaust flow at rated kW, cfm (m³/min.)	2960 (84)	2580 (73)
Exhaust temperature at rated kW, dry exhaust, °F (°C)	755 (402)	750 (399)
Maximum allowable back pressure, in. Hg (kPa)	2.0 (6.8)	1.4 (4.7)
Exhaust outlet size at hookup, in. (mm)	See ADV drawing	

Lubrication

Lubricating System	60 Hz	50 Hz
Type	Full Pressure	
Oil pan capacity, qts. (L)	20 (19)	
Oil pan capacity with filter, qts. (L)	22 (20.9)	
Oil filter, quantity, type	2, Cartridge	
Oil cooler	Water-Cooled	

Application Data

Cooling (Standard Radiator)

Cooling System	60 Hz	50 Hz
Ambient temperature °F (°C)	115 (46)	
Engine jacket water capacity, gal. (L)	6.1 (23)	
Radiator system capacity, including engine, gal. (L)	15.8 (59.8)	
Engine jacket water flow, gpm (Lpm)	120 (454)	100 (379)
Heat rejected to cooling water at rated kW, dry exhaust Btu/min.	11830	10060
Water pump type	Centrifugal	
Fan diameter, including blades, in. (mm)	36 (914)	
Fan hp (kW)	22.0 (16.4)	12.7 (9.5)
Max. restriction of cooling air, intake and discharge side of rad., in. H ₂ O (kPa)	0.5 (0.125)	

Cooling (Optional Systems)

High Ambient Radiator System	60 Hz	50 Hz
Ambient temperature °F (°C)	122 (50)	
Engine jacket water capacity, gal. (L)	6.1 (23)	
Radiator system capacity, including engine, gal. (L)	-	
Engine jacket water flow, gpm (Lpm)	120 (454)	100 (379)
Heat rejected to cooling water at rated kW, dry exhaust Btu/min.	11830	10060
Water pump type	Centrifugal	
Fan diameter, including blades, in. (mm)	40 (1016)	
Fan hp (kW)	-	-
Max. restriction of cooling air, intake and discharge side of rad., in. H ₂ O (kPa)	0.5 (0.125)	

Remote Radiator System*	60 Hz	50 Hz
Exhaust manifold type	Dry	
Connection sizes:		
Water inlet, in. (mm)	2.75 (70) ID Hose	
Water outlet, in. (mm)	2.25 (57) ID Hose	
Static head allowable above engine, ft. (m)	50 (15.25)	
* Contact your local distributor for cooling system options and specifications based on your specific application.		

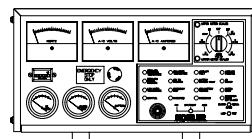
City Water Cooling System	60 Hz	50 Hz
Exhaust manifold type	Dry	
System capacity, gal. (L)	8.5 (32)	
City water consumption, gpm (Lpm) at 50°F (10°C)	38 (129)	31.8 (108)
Connection sizes:		
Water inlet, in.	1.5 NPT	
Water outlet, in.	1.0 NPT	

Operation Requirements

Air Requirements	60 Hz	50 Hz
Radiator-cooled cooling air, cfm (m ³ /min.)	17200 (487)	14500 (411)
Cooling air required for gen. set when equipped with CWC or remote radiator, based on 25°F (14°C) rise and ambient temp. of 85°F (29°C) rise, cfm (m ³ /min.)	8200 (232)	7600 (215)
Combustion air, cfm (m ³ /min.)	1310 (37)	1145 (32)
Heat rejected to ambient air:		
Engine BTU/min.	2300	2130
Generator BTU/min.	1270	1190

Fuel Consumption	60 Hz	50 Hz
Diesel, gph (Lph) at % load		
100%	24.1 (91.2)	19.8 (74.9)
75%	17.8 (67.4)	13.8 (52.2)
50%	13.2 (50.0)	10.1 (38.2)
25%	8.3 (31.4)	6.0 (22.7)

Controllers



Standard Controller

Decision-Maker™ 3+, 16-Light Controller

Audio/visual annunciation with NFPA-110, Level 1 capability
Microprocessor logic with AC meters and engine gauges
Compatible with 12-volt and 24-volt engine electrical systems
Remote start, prime power, and remote annunciation capability

Optional Controllers

Decision-Maker™ 340 Controller

Audio/visual annunciation with NFPA-110, Level 1 capability
Programmable microprocessor logic with digital display
Compatible with 12-volt and 24-volt engine electrical systems
Remote start, prime power, remote annunciation, and remote communication capability

Decision-Maker™ 3+, 7-Light Controller

Audio/visual annunciation with NFPA-110, Level 2 capability
Microprocessor logic with AC meters and engine gauges
Compatible with 12-volt and 24-volt engine electrical systems
Remote start, prime power, and remote annunciation capability

Oversized Meterbox Controllers

Provides additional space for optional engine oil temperature gauge, tachometer, and wattmeter
Available with 16-light or 7-light annunciation and microprocessor logic
Same features as Decision-Maker™ 3+ controller
Compatible with 12-volt and 24-volt engine electrical systems

Engine Gauge Box Controller for Paralleling Switchgear

Interfaces between generator set and switchgear for paralleling switchgear applications
Engine gauges with emergency stop switch
Compatible with 24-volt engine electrical systems only

NOTE: See the respective controller spec sheet for additional controller features and accessories.

Accessories

Enclosed Unit

- Exhaust Silencer, Critical or Residential
- Silencer Mounting Kit for Housing
- Tail Pipe and Rain Cap Kit
- Weather Housing

Open Unit

- Exhaust Silencer, Critical or Residential
- Flexible Exhaust Connector, Stainless Steel

Cooling System

- Block Heater
- City Water Cooling
- High Ambient Radiator
- Radiator Duct Flange
- Remote Radiator Cooling

Fuel System

- Auxiliary Fuel Pump
- Day Tanks
- Flexible Fuel Lines
- Fuel Pressure Gauge
- Subbase Fuel Tanks

Electrical System

- Battery
- Battery Charger, Equalize/Float Type
- Battery Charger, Trickle Type
- Battery Heater

Engine and Generator

- Air Cleaner, Heavy Duty
- Air Cleaner Restriction Indicator
- Bus Bar Kits
- CSA Certification
- Generator Strip Heater
- Line Circuit Breaker
- Line Circuit Breaker with Shunt Trip
- NFPA 110 Literature
- Optional Generators
- Rated Power Factor Testing
- Safeguard Breaker
- Voltage Regulation, 1%
- Voltage Regulator Sensing, Three-Phase

Paralleling System

- Load-Sharing Module
- Reactive Droop Compensator
- Remote Speed Adjust Potentiometer/Electronic Governor
- Voltage Adjust Potentiometer
- Voltage Regulator Relocation Kit

Maintenance

- General Maintenance Literature Kit
- Maintenance Kit (includes air, oil, and fuel filters)
- Overhaul Literature Kit

Controller (Standard Controller)

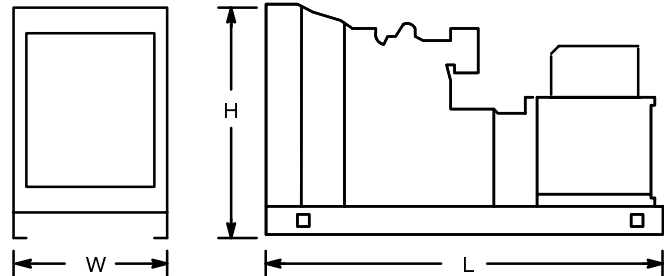
- Common Failure Relay Kit
- Customer Connection Kit
- Dry Contact Kit (Isolated Alarm)
- Extension Wiring Harness for Remote Mounting of Controller
- FASTCHECK® Diagnostic Fault Detector
- Prealarm Sender Kit
- Remote Annunciator Panel
- Remote Audio/Visual Alarm Panel
- Remote Emergency Stop Kit
- Run Relay Kit
- Tachometer Kit/Oversize Meterbox
- Wattmeter Kit/Oversize Meterbox

Miscellaneous Accessories

- _____
- _____
- _____
- _____
- _____
- _____
- _____

WEIGHTS AND DIMENSIONS

Overall Size, L x W x H, in. (mm): 108.00 x 50.00 x 71.28
 (2743 x 1270 x 1811)
 Weight (Radiator Model), wet lb. (kg): 5895 (2674)



NOTE: This drawing is provided for reference only and should not be used for planning installation. Contact your local distributor for more detailed information.

DISTRIBUTED BY:

Blank space for distributor information.