



**Ratings Range**

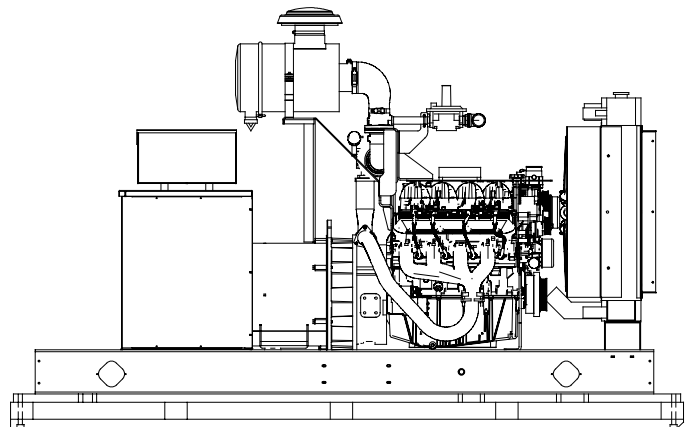
Standby:	kW kVA	60 Hz	50 Hz
		100-150 100-187.5	90-125 90-156

**Generator Set Ratings**

Alternator	Voltage	Ph	Hz	Natural Gas 130°C Rise Standby Rating	
				kW/kVA	Amps
4S13	120/208	3	60	150/187.5	520
	127/220	3	60	150/187.5	492
	120/240	3	60	150/187.5	451
	120/240	1	60	100/100	417
	139/240	3	60	150/187.5	451
	220/380	3	60	145/181.3	275
	277/480	3	60	150/187.5	226
	347/600	3	60	150/187.5	180
	110/190	3	50	125/156	475
	115/200	3	50	125/156	451
	120/208	3	50	125/156	434
	110/220	3	50	125/156	410
	110/220	1	50	90/90	409
	220/380	3	50	125/156	237
	230/400	3	50	125/156	226
	240/416	3	50	125/156	217
4S15	120/208	3	60	150/187.5	520
	127/220	3	60	150/187.5	492
	120/240	3	60	150/187.5	451
	120/240	1	60	110/110	458
	139/240	3	60	150/187.5	451
	220/380	3	60	145/181.3	275
	277/480	3	60	150/187.5	226
	347/600	3	60	150/187.5	180
	110/190	3	50	125/156	475
	115/200	3	50	125/156	451
	120/208	3	50	125/156	434
	110/220	3	50	124/155	407
	220/380	3	50	125/156	237
	230/400	3	50	125/156	226
	240/416	3	50	125/156	217

**Standard Features**

- Kohler Co. provides one-source responsibility for the generating system and accessories.
- The generator set and its components are prototype-tested, factory-built, and production-tested.
- The 60 Hz generator set offers a UL 2200 listing.
- The generator set accepts rated load in one step.
- The 60 Hz generator set meets NFPA 110, Level 1, when equipped with the necessary accessories and installed per NFPA standards.
- A one-year limited warranty covers all systems and components. Two-, five-, and ten-year extended warranties are also available.
- Alternator features:
  - The unique Fast-Response™ II excitation system delivers excellent voltage response and short circuit capability using a permanent magnet (PM)-excited alternator.
  - The brushless, rotating-field alternator has broadrange reconnectability.
- Other features:
  - Controllers are available for all applications. See controller features inside.
  - The electronic, isochronous governor incorporates an integrated drive-by-wire throttle body actuator delivering precise frequency regulation.



RATINGS: All three-phase units are rated at 0.8 power factor. All single-phase units are rated at 1.0 power factor. *Standby Ratings:* Standby ratings apply to installations served by a reliable utility source. The standby rating is applicable to varying loads for the duration of a power outage. There is no overload capability for this rating. Ratings are in accordance with ISO-3046/1, BS 5514, AS 2789, and DIN 6271. *Prime Power Ratings:* Prime power ratings apply to installations where utility power is unavailable or unreliable. At varying load, the number of generator set operating hours is unlimited. A 10% overload capacity is available for one hour in twelve. Ratings are in accordance with ISO-8528/1, overload power in accordance with ISO-3046/1, BS 5514, AS 2789, and DIN 6271. For limited running time and base load ratings, consult the factory. Obtain the technical information bulletin (TIB-101) on ratings guidelines for the complete ratings definitions. The generator set manufacturer reserves the right to change the design or specifications without notice and without any obligation or liability whatsoever. GENERAL GUIDELINES FOR DERATION: *Altitude:* Derate 1.3% per 100 m (328 ft.) elevation above 200 m (656 ft.) up to a maximum elevation of 3000 m (9842 ft.). *Temperature:* Derate 2.0% per 10°C (18°F) temperature above 25°C (77°F) up to 50°C (122°F).

# Alternator Specifications

Specifications	Alternator
Manufacturer	Kohler
Type	4-Pole, Rotating-Field
Exciter type	Brushless, Permanent-Magnet
Leads: quantity, type	
4S13	12, Reconnectable
4S15	4, 110-120/220-240
Voltage regulator	Solid State, Volts/Hz
Insulation:	NEMA MG1
Material	Class H
Temperature rise	130°C, Standby
Bearing: quantity, type	1, Sealed
Coupling	Flexible Disc
Amortisseur windings	Full
Voltage regulation, no-load to full-load	
Permanent magnet (PM) alternator	±2% Average
550 controller (with 0.5% drift due to temperature variation)	3-Phase Sensing, ±0.25%
Unbalanced load capability	100% of Rated Standby Current
One-step load acceptance	100% of Rating
Peak motor starting kVA:	(35% dip for voltages below)
480 V, 380 V 4S13 (12 lead)	515 (60Hz), 370 (50Hz)
480 V, 380 V 4S15 (12 lead)	620 (60Hz), 420 (50Hz)

- NEMA MG1, IEEE, and ANSI standards compliance for temperature rise and motor starting.
- Sustained short-circuit current of up to 300% of the rated current for up to 10 seconds.
- Sustained short-circuit current enabling downstream circuit breakers to trip without collapsing the alternator field.
- Self-ventilated and dripproof construction.
- Vacuum-impregnated windings with fungus-resistant epoxy varnish for dependability and long life.
- Fast-Response™ II brushless alternator with brushless exciter for excellent load response.

## Application Data

### Engine

Engine Specifications	60 Hz	50 Hz
Manufacturer	General Motors	
Engine: model, type	Industrial Powertrain, Vortec 8.1 L, 4-Cycle, Turbocharged and Charge Air-Cooled	
Cylinder arrangement	V-8	
Displacement, L (cu. in.)	8.1 (496)	
Bore and stroke, mm (in.)	108 x 111 (4.25 x 4.37)	
Compression ratio	9.1:1	
Piston speed, m/min. (ft./min.)	399 (1311)	332 (1092)
Main bearings: quantity, type	Alum. Lead Silicon Alloy	
Rated rpm	1800	1500
Max. power at rated rpm, kW (HP)	170 (228)	149 (200)
Cylinder head material	Cast Iron	
Piston type and material	Strutless Flat Top, Hypereutectic Cast Alum.	
Crankshaft material	Cast Nodular Undercut Rolled Fillet	
Governor: type, make	Electronic	
Frequency regulation, no-load to full-load	Isochronous	
Frequency regulation, steady state	±0.5%	
Frequency	Field-Convertible	
Air cleaner type, all models	Dry	

### Exhaust

Exhaust System	60 Hz	50 Hz
Exhaust manifold type	Dry	
Exhaust flow at rated kW, m <sup>3</sup> /min. (cfm)	30.1 (1063)	23.7 (837)
Exhaust temperature at rated kW, dry exhaust, °C (°F)	649 (1200)	
Maximum allowable back pressure, kPa (in. Hg)	10.2 (3.0)	
Exhaust outlet size at engine hookup, mm (in.)	71 (2.8)	

### Engine Electrical

Engine Electrical System	60 Hz	50 Hz
Ignition system	Individual Coil Near Plug Ignition	
Battery charging alternator:		
Ground (negative/positive)	Negative	
Volts (DC)	12	
Ampere rating	70	
Starter motor rated voltage (DC)	12	
Battery, recommended cold cranking amps (CCA):		
Qty., rating for -18°C (0°F)	1, 630	
Battery voltage (DC)	12	

### Fuel

Fuel System	60 Hz	50 Hz
Fuel type	Natural Gas	
Fuel supply line inlet	1.5 NPTF	
Natural gas/LPG (vapor withdrawal) fuel supply pressure, measured at the generator set fuel inlet after any fuel system equipment accessories, kPa (in. H <sub>2</sub> O)	1.74-2.74 (7.0-11.0)	

Fuel Composition Limits *	Natural Gas
Methane, % by volume	90 min.
Ethane, % by volume	4.0 max.
Propane, % by volume	1.0 max.
Propene, % by volume	0.1 max.
C <sub>4</sub> and higher, % by volume	0.3 max.
Sulfur, ppm mass	25 max.
Lower heating value, kJ/m <sup>3</sup> (Btu/ft <sup>3</sup> ), min.	26.6 (890)

\* Fuels with other compositions may be acceptable. If your fuel is outside the listed specifications, contact your local distributor for further analysis and advice.

# Application Data

## Lubrication

Lubricating System	60 Hz	50 Hz
Type	Full Pressure	
Oil pan capacity, L (qt.)	8.0 (8.5)	
Oil pan capacity with filter, L (qt.)	8.5 (9.0)	
Oil filter: quantity, type	1, Cartridge	

## Cooling

Radiator System	60 Hz	50 Hz
Ambient temperature, °C (°F)*	50 (122)	
Engine jacket water capacity, L (gal.)	10.0 (2.6)	
Radiator system capacity, including engine, L (gal.)	24.2 (6.4)	
Engine jacket water flow, Lpm (gpm)	125 (33)	102 (27)
Heat rejected to cooling water at rated kW, dry exhaust, kW (Btu/min.)	129 (7320)	91 (5190)
Heat rejected to charge cooling air at rated kW, dry exhaust, kW (Btu/min.)	13.2 (750)	11.0 (625)
Heat rejected to engine oil at rated kW, kW (Btu/min.)	1.7 (95)	1.5 (86)
Water pump type	Centrifugal	
Fan diameter, including blades, mm (in.)	599 (23.6)	
Fan, kWm (HP)	6.7 (9.0)	3.7 (5.0)
Max. restriction of cooling air, intake and discharge side of radiator, kPa (in. H <sub>2</sub> O)	0.125 (0.5)	

\* Weather housing with roof-mounted silencer and enclosures with enclosed silencer reduce ambient temperature capability by 10°C (18°F).

Remote Radiator System†	60 Hz	50 Hz
Exhaust manifold type	Dry	
Connection sizes:		
Water inlet, ID hose, mm (in.)	44.45 (1.75)	
Water outlet, ID hose, mm (in.)	38.10 (1.50)	
Static head allowable above engine, kPa (ft. H <sub>2</sub> O)	4.32 (17.0)	

† Contact your local distributor for cooling system options and specifications based on your specific requirements.

## Operation Requirements

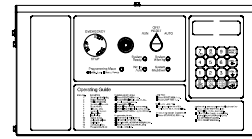
Air Requirements	60 Hz	50 Hz
Radiator-cooled cooling air, m <sup>3</sup> /min. (scfm)‡	340 (12000)	258 (9100)
Cooling air required for generator set when equipped with city water cooling or remote radiator, based on 14°C (25°F) rise, m <sup>3</sup> /min. (cfm)	359 (12670)	261 (9240)
Combustion air, m <sup>3</sup> /min. (cfm)	10.3 (365)	7.9 (278)
Heat rejected to ambient air:		
Engine, kW (Btu/min.)	84.2 (4790)	60.6 (3450)
Alternator, kW (Btu/min.)	16.0 (912)	12.5 (709)

‡ Air density = 1.20 kg/m<sup>3</sup> (0.075 lbm/ft<sup>3</sup>).

Fuel Consumption	60 Hz	50 Hz
<b>Natural Gas, m<sup>3</sup>/hr. (cfh) at % load§</b>	<b>Standby Rating</b>	
100%	54.7(1930)	50.2(1770)
75%	42.9(1512)	38.0(1340)
50%	31.5(1112)	27.4 (965)
25%	20.0 (707)	17.2 (607)
0%	10.4 (369)	8.8 (310)

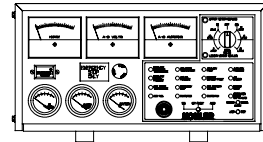
§ Fuel consumption is based on 1015 Btu/standard cu. ft. natural gas.

# Controllers



### Decision-Maker™ 550 Controller

Audiovisual annunciation with NFPA 110 Level 1 capability. Programmable microprocessor logic and digital display features. Alternator safeguard circuit protection. 12- or 24-volt engine electrical system capability. Remote start, remote annunciation, and remote communication options. Refer to G6-46 for additional controller features and accessories.



### Decision-Maker™ 3+, 16-Light Controller

Audiovisual annunciation with NFPA 110 Level 1 capability. Microprocessor logic, AC meters, and engine gauge features. 12- or 24-volt engine electrical system capability. Remote start, prime power, and remote annunciation options. Refer to G6-30 for additional controller features and accessories.

## Additional Standard Features

- Alternator Protection (standard with 550 controller)
- Battery Rack and Cables
- Electronic, Isochronous Governor
- Gas Fuel System (includes fuel mixer, secondary gas regulator, gas solenoid valve, and flexible fuel line between the engine and the skid-mounted fuel system components)
- Integral Vibration Isolation
- Low Fuel Pressure Shutdown
- Oil Drain Extension
- Operation and Installation Literature

## Available Options

### Approvals and Listings

- CSA Approval
- IBC Seismic Certification
- UL 2200 Listing

### Enclosed Unit

- Sound Enclosure (with enclosed critical silencer)
- Weather Enclosure (with enclosed critical silencer)
- Weather Housing (with roof-mounted critical silencer)

### Open Unit

- Exhaust Silencer, Critical (kits: PA-324292, PA-324470)
- Flexible Exhaust Connector, Stainless Steel

### Fuel System

- Flexible Fuel Line  
(required when the generator set skid is spring mounted)
- Gas Filter
- Manual Valve
- Secondary Gas Solenoid Valve

### Controller (550 and 16-Light)

- Common Failure Relay
- Communication Products and PC Software (550 controller only)
- Customer Connection
- Dry Contact (isolated alarm)
- Engine Prealarm Sender
- Local Emergency Stop
- Prime Power Switch (550 controller only)
- Remote Annunciator Panel
- Remote Audiovisual Alarm Panel
- Remote Emergency Stop
- Remote Mounting Cable
- Run Relay

### Cooling System

- Block Heater  
[recommended for ambient temperatures below 10°C (50°F)]
- City Water Cooling
- Radiator Duct Flange
- Remote Radiator Cooling

### Electrical System

- Alternator Strip Heater
- Battery
- Battery Charger, Equalize/Float Type
- Battery Heater
- Line Circuit Breaker (NEMA1 enclosure)
- Line Circuit Breaker with Shunt Trip (NEMA1 enclosure)
- Safeguard Breaker (16-light controller)

### Miscellaneous

- Air Cleaner Restrictor Indicator
- Engine Fluids (oil and coolant) Added
- Rated Power Factor Testing
- Rodent Guards
- Voltage Regulation, 1%
- Voltage Regulator Sensing, Three-Phase

### Literature

- General Maintenance
- NFPA 110
- Overhaul
- Production

### Warranty

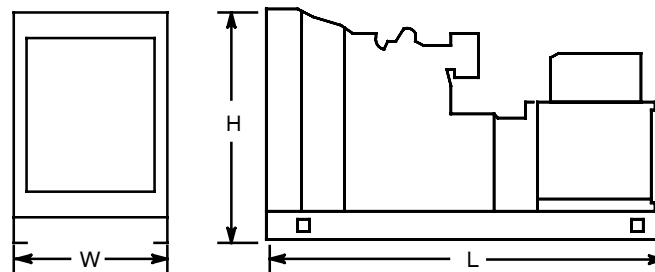
- 2-Year Basic
- 2-Year Prime
- 5-Year Basic
- 5-Year Comprehensive
- 10-Year Major Components

### Other Options

- \_\_\_\_\_
- \_\_\_\_\_
- \_\_\_\_\_
- \_\_\_\_\_
- \_\_\_\_\_
- \_\_\_\_\_

## Dimensions and Weights

Overall Size, L x W x H, mm (in.): 2800 x 1040 x 1552  
 (110.24 x 40.94 x 61.10)  
 Weight (radiator model), wet, kg (lb.): 1150 (2535)



NOTE: This drawing is provided for reference only and should not be used for planning installation. Contact your local distributor for more detailed information.

## DISTRIBUTED BY: